

# Lexmark @productguide

Volume 10



**LEXMARK**<sup>™</sup>

# Paper is one of a printer's greatest environmental impacts

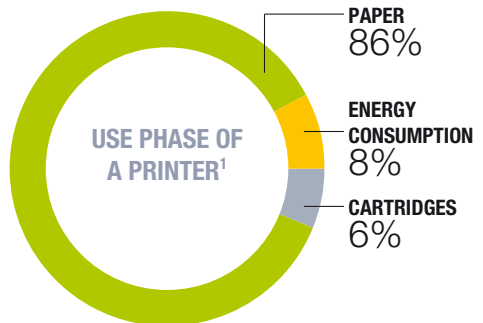
# print

## This is why Lexmark helps you PRINT LESS!

At Lexmark, we are committed to helping our customers use our products more effectively. More than two-thirds of a laser printer's environmental impact is generated during the use phase – and most of that is related to the consumption of paper.

Eliminating unnecessary output should be a top priority in order to reduce business costs and lessen the environmental impact of printing.

**Using a Lexmark multifunction printer in duplex and multi-up modes combined, can decrease CO<sub>2</sub> emissions by more than half.<sup>1</sup>**



<sup>1</sup> Life cycle assessment of a Lexmark X646dte MFP performed by Bio Intelligence Service in accordance to ISO 14040 and ISO 14044 standards, May 2008

**PRINT LESS. SAVE MORE.**



# Lexmark recycles your cartridges at no cost – to you or the environment

# less

Whatever your business, Lexmark provides you with **FREE AND EASY** cartridge collection and recycling. We are committed to minimizing waste –so you can too!

One hundred percent of our collected printers and cartridges are reused or recycled. More than 90 percent of a cartridge's weight and 99 percent of a printer's components are reused as new materials for other industries.

Lexmark helps give used products a new lease on life!

## reduce

Use less material and energy

- Reduce the use of resources to prevent waste production
- Establish efficient and effective waste management techniques

## recover

Collect cartridges and printers at end of life

- Multiple collection programs, including prepaid and pick-up services
- Convenient and free-of-charge for customers

## reuse

Put product back into service with the same function

- Revitalize the product to function in its original capacity (remanufacturing)
- Return product to "like-new" condition

## recycle

Put product back into service with a different function

- Manufacture new products from used materials: glass, paper, metals, plastic and other materials

# Cut energy use in half with Lexmark multifunction printers

**save**

**Half the energy with up to four times the functionality! Lexmark multifunction printers and all-in-ones let you do more for less.**



Lexmark multifunction technology makes it easy to reduce the amount of information you print, copy and distribute in hardcopy format. You'll save time, costs and office space, while powering fewer devices. Our inkjet all-in-ones deliver the same benefits for home offices and small-business professionals.

What's more, compared to separate devices, MFPs and all-in-one products require fewer materials to manufacture, require less packaging, and create less e-waste.

*Lexmark internal testing shows that replacing four laser devices, a printer, copier, scanner and fax, with one imaging device saves up to 55 percent in energy use, and replacing four inkjet products with one inkjet all-in-one can save up to 68 percent in energy use.*

**PRINT LESS. SAVE MORE.**



# One page out of five ends up directly in the waste bin<sup>1</sup>

# more

ENVIRONMENT

## Print Less. Save More.

### Lexmark tips for SUSTAINABLE printing

#### Print Less

- Print only the pages you need and avoid printing e-mails and drafts
- Archive your documents using scan to e-mail
- Use print preview to avoid wasteful mistakes
- Use duplex and multi-up printing to cut your paper use by half or more

#### Reduce Consumption

- Use the draft mode for everyday printing to save ink and toner
- Choose high-yield cartridges to conserve resources
- Use multifunction printers to consolidate devices and save power
- Buy a Wi-Fi printer for your home to reduce hardware units

#### Recycle

- Reuse paper for draft work whenever possible
- Provide separate recycling bins for paper and cartridges
- Return your empty cartridges to Lexmark for reuse and recycling; it's free and easy with the Lexmark Cartridge Collection Program
- Recycle end-of-life printers to reduce e-waste

<sup>1</sup> Ipsos-Lexmark research: "The State of Printing," December 2007

# Table of contents

## ENVIRONMENT

|                               |   |
|-------------------------------|---|
| Lexmark Environmental Program | 2 |
|-------------------------------|---|

## PRODUCT OVERVIEW

|            |    |
|------------|----|
| Monochrome | 8  |
| Color      | 14 |

## MONOCHROME LASER

|                 |    |
|-----------------|----|
| Lexmark E120n   | 20 |
| Lexmark E260d   | 22 |
| Lexmark E260dn  | 24 |
| Lexmark E360d   | 26 |
| Lexmark E360dn  | 28 |
| Lexmark E460dn  | 30 |
| Lexmark E460dw  | 32 |
| Lexmark T650n   | 34 |
| Lexmark T650dn  | 36 |
| Lexmark T650dtn | 38 |
| Lexmark T652n   | 40 |
| Lexmark T652dn  | 42 |
| Lexmark T652dtn | 44 |
| Lexmark T654n   | 46 |
| Lexmark T654dn  | 48 |
| Lexmark T654dtn | 50 |
| Lexmark W840    | 52 |
| Lexmark W840n   | 54 |
| Lexmark W840dn  | 56 |

## COLOR LASER

|                    |     |
|--------------------|-----|
| Lexmark C540n      | 58  |
| Lexmark C543dn     | 60  |
| Lexmark C544n      | 62  |
| Lexmark C544dn     | 64  |
| Lexmark C544dw     | 66  |
| Lexmark C544dtn    | 68  |
| Lexmark C734n      | 70  |
| Lexmark C734dn     | 72  |
| Lexmark C734dtn    | 74  |
| Lexmark C734dw     | 76  |
| Lexmark C736n      | 78  |
| Lexmark C736dn     | 80  |
| Lexmark C736dtn    | 82  |
| Lexmark C782n      | 84  |
| Lexmark C782dn     | 86  |
| Lexmark C782dtn    | 88  |
| Lexmark C782n XL   | 90  |
| Lexmark C782dn XL  | 92  |
| Lexmark C782dtn XL | 94  |
| Lexmark C935dn     | 96  |
| Lexmark C935dtn    | 98  |
| Lexmark C935dttn   | 100 |
| Lexmark C935hdn    | 102 |

## SINGLE FUNCTION COLOR INKJET

|               |     |
|---------------|-----|
| Lexmark Z2300 | 104 |
| Lexmark Z2420 | 106 |

## 3-IN-1 COLOR INKJET

|                            |     |
|----------------------------|-----|
| Lexmark X2600              | 108 |
| Lexmark X2650              | 110 |
| Lexmark X2670              | 112 |
| Lexmark X3650              | 114 |
| Lexmark X4650              | 116 |
| Lexmark X4975 Professional | 118 |
| Lexmark X4975ve            | 120 |

## 4-IN-1 COLOR INKJET

|                            |     |
|----------------------------|-----|
| Lexmark X5075 Professional | 122 |
| Lexmark X5650              | 124 |
| Lexmark X6650              | 126 |
| Lexmark X6675 Professional | 128 |
| Lexmark X7675 Professional | 130 |
| Lexmark X9575 Professional | 132 |

**MULTIFUNCTION MONOCHROME LASER**

|                   |     |
|-------------------|-----|
| Lexmark X204n     | 134 |
| Lexmark X264dn    | 136 |
| Lexmark X363dn    | 138 |
| Lexmark X364dn    | 140 |
| Lexmark X364dw    | 142 |
| Lexmark X463de    | 144 |
| Lexmark X464de    | 146 |
| Lexmark X466de    | 148 |
| Lexmark X466dte   | 150 |
| Lexmark X466dwe   | 152 |
| Lexmark X651de    | 154 |
| Lexmark X652de    | 156 |
| Lexmark X654de    | 158 |
| Lexmark X656de    | 160 |
| Lexmark X656dte   | 162 |
| Lexmark X658de    | 164 |
| Lexmark X658dte   | 166 |
| Lexmark X658dme   | 168 |
| Lexmark X658dtme  | 170 |
| Lexmark X658dfe   | 172 |
| Lexmark X658dtfe  | 174 |
| Lexmark X850e     | 176 |
| Lexmark X850e VE3 | 178 |
| Lexmark X850e VE4 | 180 |
| Lexmark X852e     | 182 |
| Lexmark X854e     | 184 |

**MULTIFUNCTION COLOR LASER**

|                  |     |
|------------------|-----|
| Lexmark X543dn   | 186 |
| Lexmark X544n    | 188 |
| Lexmark X544dn   | 190 |
| Lexmark X544dw   | 192 |
| Lexmark X544dtn  | 194 |
| Lexmark X560n    | 196 |
| Lexmark X734de   | 198 |
| Lexmark X736de   | 200 |
| Lexmark X738de   | 202 |
| Lexmark X738dte  | 204 |
| Lexmark X782e XL | 206 |
| Lexmark X940e    | 208 |
| Lexmark X945e    | 210 |

**MFP OPTIONS**

|                                       |     |
|---------------------------------------|-----|
| Lexmark 4600 MFP Option T642n, T644n  | 212 |
| Lexmark 4600 MFP Option C782, C782 XL | 214 |

**DOT MATRIX**

|                                 |     |
|---------------------------------|-----|
| Lexmark Forms Printer 2580      | 216 |
| Lexmark Forms Printer 2580n     | 218 |
| Lexmark Forms Printer 2581      | 220 |
| Lexmark Forms Printer 2581n     | 222 |
| Lexmark Forms Printer 2590      | 224 |
| Lexmark Forms Printer 2590n     | 226 |
| Lexmark Forms Printer 2591      | 228 |
| Lexmark Forms Printer 2591n     | 230 |
| Lexmark Forms Printer 4227 plus | 232 |

**CONNECTIVITY - APPLICATION SOLUTIONS**

|   |     |
|---|-----|
| Forms and Bar Code Card                 | 234 |
| PrintCrypton™ Application Solution      | 238 |
| IPDS and SCS / TNe Application Solution | 240 |
| Lexmark Print Servers                   | 242 |
| MarkVision Professional                 | 246 |

**SUPPLIES**

|                                      |     |
|--------------------------------------|-----|
| Lexmark Supplies Compatibility Table | 248 |
|--------------------------------------|-----|

**COMPATIBILITY**

|   |     |
|---|-----|
| Lexmark Compatibility Table and Options | 250 |
| Lexmark Maintenance Kit                 | 292 |

**SERVICES**

|                                    |     |
|------------------------------------|-----|
| Lexmark Standard Service Offerings | 298 |
|------------------------------------|-----|

**GLOSSARY**

|          |     |
|----------|-----|
| Glossary | 316 |
|----------|-----|

# Monochrome



## MONOCHROME LASER



**Lexmark E120n**

■ ■ ■ Up to 20 ppm



**Lexmark E260d**

■ ■ ■ Up to 35 ppm



**Lexmark E260dn**

■ ■ ■ Up to 35 ppm



**Lexmark E360d**

■ ■ ■ Up to 40 ppm



**Lexmark E360dn**

■ ■ ■ Up to 40 ppm



**Lexmark T652n**

■ ■ ■ Up to 50 ppm



**Lexmark T652dn**

■ ■ ■ Up to 50 ppm



**Lexmark T652dtn**

■ ■ ■ Up to 50 ppm



**Lexmark T654n**

■ ■ ■ Up to 55 ppm



**Lexmark T654dn**

■ ■ ■ Up to 55 ppm





**Lexmark E460dn**

■ ■ ■ Up to 40 ppm



**Lexmark E460dw**

■ ■ ■ Up to 40 ppm



**Lexmark T650n**

■ ■ ■ Up to 45 ppm



**Lexmark T650dn**

■ ■ ■ Up to 45 ppm



**Lexmark T650dtn**

■ ■ ■ Up to 45 ppm



**Lexmark T654dtn**

■ ■ ■ Up to 55 ppm



A3

**Lexmark W840**

■ ■ ■ Up to 50 ppm



A3

**Lexmark W840n**

■ ■ ■ Up to 50 ppm



A3

**Lexmark W840dn**

■ ■ ■ Up to 50 ppm

# Monochrome



## MULTIFUNCTION LASER



**NEW**

**Lexmark X204n**

■ ■ ■ Up to 24 ppm



**Lexmark X264dn**

■ ■ ■ Up to 30 ppm



**Lexmark X363dn**

■ ■ ■ Up to 35 ppm



**Lexmark X364dn**

■ ■ ■ Up to 35 ppm



**Lexmark X364dw**

■ ■ ■ Up to 35 ppm



**Lexmark X651de**

■ ■ ■ Up to 45 ppm



**Lexmark X652de**

■ ■ ■ Up to 45 ppm



**Lexmark X654de**

■ ■ ■ Up to 55 ppm



**Lexmark X656de**

■ ■ ■ Up to 55 ppm



**Lexmark X656dte**

■ ■ ■ Up to 55 ppm



**Lexmark X658dtfe**

■ ■ ■ Up to 55 ppm



**Lexmark X850e**

■ ■ ■ Up to 35 ppm



**Lexmark X850e VE3**

■ ■ ■ Up to 35 ppm



**Lexmark X850e VE4**

■ ■ ■ Up to 35 ppm



**Lexmark X852e**

■ ■ ■ Up to 45 ppm



**Lexmark X463de**

■ ■ ■ Up to 40 ppm



**Lexmark X464de**

■ ■ ■ Up to 40 ppm



**Lexmark X466de**

■ ■ ■ Up to 40 ppm



**Lexmark X466dte**

■ ■ ■ Up to 40 ppm



**Lexmark X466dwe**

■ ■ ■ Up to 40 ppm



**Lexmark X658de**

■ ■ ■ Up to 55 ppm



**Lexmark X658dte**

■ ■ ■ Up to 55 ppm



**Lexmark X658dme**

■ ■ ■ Up to 55 ppm



**Lexmark X658dtme**

■ ■ ■ Up to 55 ppm



**Lexmark X658dfe**

■ ■ ■ Up to 55 ppm



A3

**Lexmark X854e**

■ ■ ■ Up to 55 ppm

# Monochrome



## DOT MATRIX



**Lexmark Forms  
Printer 2580**

■ 9-Pin Dot Matrix



**Lexmark Forms  
Printer 2580n**

■ 9-Pin Dot Matrix



**Lexmark Forms  
Printer 2581**

■ 9-Pin Dot Matrix



**Lexmark Forms  
Printer 2581n**

■ 9-Pin Dot Matrix



**Lexmark Forms  
Printer 2590**

■ 24-Pin Dot Matrix



**Lexmark Forms  
Printer 2590n**

■ 24-Pin Dot Matrix



**Lexmark Forms  
Printer 2591**

■ 24-Pin Dot Matrix



**Lexmark Forms  
Printer 2591n**

■ 24-Pin Dot Matrix



**Lexmark Forms  
Printer 4227 plus**

■ Dual 9-Pin Dot Matrix

# Color



## COLOR LASER



**Lexmark C540n**

■ ■ ■ Up to 21 ppm

■ ■ ■ Up to 21 ppm



**Lexmark C543dn**

■ ■ ■ Up to 21 ppm

■ ■ ■ Up to 21 ppm



**Lexmark C544n**

■ ■ ■ Up to 25 ppm

■ ■ ■ Up to 25 ppm



**Lexmark C544dn**

■ ■ ■ Up to 25 ppm

■ ■ ■ Up to 25 ppm



**Lexmark C544dw**

■ ■ ■ Up to 25 ppm

■ ■ ■ Up to 25 ppm



**Lexmark C736n**

■ ■ ■ Up to 35 ppm

■ ■ ■ Up to 35 ppm



**Lexmark C736dn**

■ ■ ■ Up to 35 ppm

■ ■ ■ Up to 35 ppm



**Lexmark C736dtn**

■ ■ ■ Up to 35 ppm

■ ■ ■ Up to 35 ppm



**Lexmark C782n**

■ ■ ■ Up to 40 ppm

■ ■ ■ Up to 35 ppm



**Lexmark C782dn**

■ ■ ■ Up to 40 ppm

■ ■ ■ Up to 35 ppm



**Lexmark C935dtn**

■ ■ ■ Up to 45 ppm

■ ■ ■ Up to 40 ppm



**Lexmark C935dtn**

■ ■ ■ Up to 45 ppm

■ ■ ■ Up to 40 ppm



**Lexmark C935hdn**

■ ■ ■ Up to 45 ppm

■ ■ ■ Up to 40 ppm



**Lexmark C544dtn**

■ ■ ■ Up to 25 ppm

■ ■ ■ Up to 25 ppm



**Lexmark C734n**

■ ■ ■ Up to 30 ppm

■ ■ ■ Up to 30 ppm



**Lexmark C734dn**

■ ■ ■ Up to 30 ppm

■ ■ ■ Up to 30 ppm



**Lexmark C734dtn**

■ ■ ■ Up to 30 ppm

■ ■ ■ Up to 30 ppm



**Lexmark C734dw**

■ ■ ■ Up to 30 ppm

■ ■ ■ Up to 30 ppm



**Lexmark C782dtn**

■ ■ ■ Up to 40 ppm

■ ■ ■ Up to 35 ppm



**Lexmark C782n XL**

■ ■ ■ Up to 40 ppm

■ ■ ■ Up to 35 ppm



**Lexmark C782dn XL**

■ ■ ■ Up to 40 ppm

■ ■ ■ Up to 35 ppm



**Lexmark C782dtn XL**

■ ■ ■ Up to 40 ppm

■ ■ ■ Up to 35 ppm



**Lexmark C935dn**

■ ■ ■ Up to 45 ppm

■ ■ ■ Up to 40 ppm

A3

# Color



## MULTIFUNCTION LASER



**Lexmark X543dn**

■ ■ ■ Up to 21 ppm

■ ■ ■ Up to 21 ppm



**Lexmark X544n**

■ ■ ■ Up to 25 ppm

■ ■ ■ Up to 25 ppm



**Lexmark X544dn**

■ ■ ■ Up to 25 ppm

■ ■ ■ Up to 25 ppm



**Lexmark X544dw**

■ ■ ■ Up to 25 ppm

■ ■ ■ Up to 25 ppm



**Lexmark X544dtn**

■ ■ ■ Up to 25 ppm

■ ■ ■ Up to 25 ppm



**Lexmark X782e XL**

■ ■ ■ Up to 40 ppm

■ ■ ■ Up to 35 ppm



**Lexmark X940e**

■ ■ ■ Up to 40 ppm

■ ■ ■ Up to 30 ppm



**Lexmark X945e**

■ ■ ■ Up to 45 ppm

■ ■ ■ Up to 40 ppm

## MFP OPTIONS



**Lexmark 4600 MFP  
Option T642n, T644n**

■ ■ ■ Up to 33 / 35 sides  
per minute

■ ■ ■ Up to 17 / 18 sides  
per minute



**Lexmark 4600 MFP  
Option C782, C782 XL**

■ ■ ■ Up to 33 / 35 sides  
per minute

■ ■ ■ Up to 17 / 18 sides  
per minute





**Lexmark X560n**

■ ■ ■ Up to 31 ppm

■ ■ ■ Up to 20 ppm



**Lexmark X734de**

■ ■ ■ Up to 30 ppm

■ ■ ■ Up to 30 ppm



**Lexmark X736de**

■ ■ ■ Up to 35 ppm

■ ■ ■ Up to 35 ppm



**Lexmark X738de**

■ ■ ■ Up to 35 ppm

■ ■ ■ Up to 35 ppm



**Lexmark X738dte**

■ ■ ■ Up to 35 ppm

■ ■ ■ Up to 35 ppm



## ALL-IN-ONE COLOR INKJET



### Lexmark X2600

■ ■ ■ Up to 22 ppm

■ ■ ■ Up to 16 ppm



### Lexmark X2650

■ ■ ■ Up to 22 ppm

■ ■ ■ Up to 16 ppm



### Lexmark X2670

■ ■ ■ Up to 26 ppm

■ ■ ■ Up to 19 ppm



### Lexmark X3650

■ ■ ■ Up to 25 ppm

■ ■ ■ Up to 18 ppm



### Lexmark X4650

■ ■ ■ Up to 25 ppm

■ ■ ■ Up to 18 ppm



### Lexmark X6675

■ ■ ■ Up to 25 ppm

■ ■ ■ Up to 18 ppm



### Lexmark X7675

■ ■ ■ Up to 32 ppm

■ ■ ■ Up to 27 ppm



### Lexmark X9575

■ ■ ■ Up to 33 ppm

■ ■ ■ Up to 28 ppm

## SINGLE FUNCTION COLOR INKJET



### Lexmark Z2300

■ ■ ■ Up to 22 ppm

■ ■ ■ Up to 16 ppm



### Lexmark Z2420

■ ■ ■ Up to 25 ppm

■ ■ ■ Up to 18 ppm



**Lexmark X4975**

■ ■ ■ Up to 30 ppm

■ ■ ■ Up to 27 ppm



**Lexmark X4975ve**

■ ■ ■ Up to 30 ppm

■ ■ ■ Up to 27 ppm



**Lexmark X5075**

■ ■ ■ Up to 24 ppm

■ ■ ■ Up to 17 ppm



**NEW**

**Lexmark X5650**

■ ■ ■ Up to 25 ppm

■ ■ ■ Up to 18 ppm



**NEW**



**Lexmark X6650**

■ ■ ■ Up to 25 ppm

■ ■ ■ Up to 18 ppm

# Lexmark E120n



The affordable, space-saving Lexmark E120n network-ready monochrome laser is easy to use.

## Print Technology

Monochrome Laser

## Print Speed (Letter, Black)

Up to 20 ppm

## Time to First Page (Black)

As fast as 8 seconds

## Print Resolution, Black

1200 Image Quality, 600 x 600 dpi

## Processor

183 MHz

## Memory, Standard

16 MB

## Memory, Maximum

16 MB

## Expandable Memory Options

No

## Apple Macintosh Operating Systems Supported

Mac OS X

## Citrix MetaFrame

Citrix, MetaFrame and MetaFrame XP are registered trademarks or trademarks of Citrix Systems, Inc. in the U.S. and other countries., Microsoft Windows 2000 Server running Terminal Services with Citrix MetaFrame XP Presentation Server or Citrix MetaFrame Presentation Server 3.0., Microsoft Windows Server 2003 running Terminal Services with Citrix MetaFrame XP Presentation Server or Citrix MetaFrame Presentation Server 3.0, Microsoft Windows 2000 Server running Terminal Services with Citrix Presentation Server 4.0, Microsoft Windows Server 2003 running Terminal Services with Citrix Presentation Server 4.0

## Microsoft Windows Operating Systems Supported

2000, Me, XP, Server 2003, 98 2nd Edition, XP x64, Server 2003 running Terminal Services, 2000 Server running Terminal Services, Server 2003 x64, Server 2003 x64 running Terminal Services, Vista, Vista x64

## Paper Handling Tray

150-Sheet Input Tray, 50-Sheet Output Bin, 15-Sheet Priority Feeder

## Paper Input Capacity, Standard: Up to

150 + 15 pages 20 lb or 75 gsm bond

## Paper Input Capacity, Maximum: Up to

150 + 15 pages 20 lb or 75 gsm bond

## Paper Output Capacity, Standard: Up to

50 pages 20 lb or 75 gsm bond

## Paper Output Capacity, Maximum: Up to

50 pages 20 lb or 75 gsm bond

## Finishing Option

No

## Number of Paper Inputs, Standard

2

## Number of Paper Inputs, Maximum

2

## Media Types Supported

Card Stock, Envelopes, Paper Labels, Plain Paper, Transparencies, Refer to the Card Stock & Label Guide

## Media Sizes Supported

10 Envelope, 7 3/4 Envelope, 9 Envelope, A4, A5, B5 Envelope, C5 Envelope, DL Envelope, A6 Card, Executive, Folio, JIS-B5, Legal, Letter, Statement

## Standard Ports

Ethernet 10/100BaseTX (RJ-45), USB Compatible with USB 2.0 Specification (Type B)

## Optional Network Ports

Lexmark N4050e 802.11g Wireless Print Server (Print Only), External MarkNet™ N7020e Gigabit Ethernet

## Network Printing Methods

LPR/LPD, Direct IP (Port 9100), IPP (Internet Printing Protocol), HTTP, Enhanced IP (Port 9400), FTP, TFTP

## Network Protocol Support

TCP/IP IPv4

## Printable Area

0.158 inches of the top, bottom, right and left edges (within)

## Printer Languages (Standard)

PCL 5e Emulation, PCL 6 Emulation

## Supplies Yield

\*Average standard page yield value declared in accordance with ISO/IEC 19752., 2,000\*-page Toner Cartridge, Ships with 500\*-page starter Return Program Toner Cartridge, 25,000\*-page Photoconductor Kit

## Packaged Size (in. - H x W x D)

12.8 x 19.09 x 11.5 in.

## Size (in. - H x W x D)

9.8 x 15.3 x 14.6 in.

## Weight (lb.)

15.2 lb.

## Noise Level, Idle

26 dBA

## Print Noise Level, Operating

49 dBA

## Product Warranty

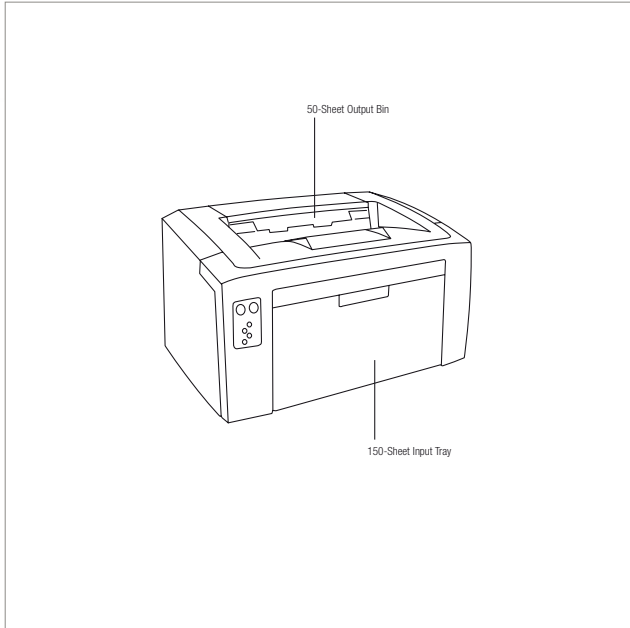
One Year Exchange, 3 to 5 day

## Maximum Monthly Duty Cycle

Up to 10,000 pages per month

## Recommended Monthly Page Volume

250 - 2,000 pages



|               |  |
|---------------|--|
| <b>Part #</b> | <b>Model</b>                                     |
| 23S0300       | Lexmark E120n                                    |
| <b>Part #</b> | <b>Laser Toner/Print Cartridge</b>               |
| 12015SA       | E120 Return Program Toner Cartridge              |
| 12035SA       | E120 Toner Cartridge                             |
| 12026XW       | E120 Photoconductor Kit                          |
| <b>Part #</b> | <b>Paper &amp; Transparencies</b>                |
| 70X7240       | Laser Printer Transparencies (Letter)            |
| <b>Part #</b> | <b>Connectivity</b>                              |
| 1021294       | USB Cable (2-meter)                              |
| 14T0145       | Lexmark N4050e 802.11g Wireless Print Server     |
| 14T0220       | MarkNet™ N7020e Gigabit Ethernet Print Server    |
| <b>Part #</b> | <b>Extended Warranties</b>                       |
| 2348378       | Upgrade to Exchange, Next Business Day           |
| 2348351       | 1-Year Exchange, Next Business Day               |
| 2348352       | 2-Year Exchange, Next Business Day               |
| 2348368       | 1 Year Exchange Extended Warranty Renewal        |
| 2348369       | 1-Year Onsite Exchange Extended Warranty Renewal |
| 2348360       | Upgrade to Onsite Service, Next Business Day     |
| 2348361       | 2-Years Total Onsite Service, Next Business Day  |
| 2348362       | 3-Years Total Onsite Service, Next Business Day  |
| 2348370       | 1-Year Onsite Service Renewal, Next Business Day |

# Lexmark E260d



Great big benefits in a desktop printer, plus paper-saving duplex

## Print Technology

Monochrome Laser

## Print Speed (Letter, Black)

Up to 35 ppm

## Print Speed (Letter, Black) Duplex

Up to 17 spm

## Time to First Page (Black)

As fast as 6.5 seconds

## Print Resolution, Black

1200 Image Quality, 1200 x 1200 dpi, 2400 Image

Quality, 600 x 600 dpi

## Processor

400 MHz

## Memory, Standard

32 MB

## Memory, Maximum

160 MB

## Expandable Memory Options

Yes

## Apple Macintosh Operating Systems Supported

Mac OS X (10.2 or later), Mac OS 9.2

## Citrix MetaFrame

Microsoft Windows 2000 Server running Terminal Services with Citrix Presentation Server 3.0, 4.0, Microsoft Windows Server 2003 running Terminal Services with Citrix Presentation Server 3.0, 4.0, 4.5, Microsoft Windows Server 2003 x64 running Terminal Services with Citrix Presentation Server 4.0 x64, 4.5 x64

## Linux Operating Systems Supported

Linpus Linux Desktop 9.2, 9.3, Red Hat Enterprise Linux WS 3.0, 4.0, 5.0, SUSE Linux Enterprise Server 8.0, 9.0, 10.0, SUSE Linux Enterprise Desktop 10, openSUSE 10.2, 10.3, 11.0, Linspire Linux 6.0, Debian GNU/Linux 4.0, Red Flag Linux Desktop 5.0, 6.0, Ubuntu 7.10, Ubuntu 8.04 LTS

## Microsoft Windows Operating Systems Supported

2000, XP, Server 2003, XP x64, Server 2003 running Terminal Services, 2000 Server running Terminal Services, Server 2003 x64, Server 2003 x64 running Terminal Services, Vista, Vista x64, Server 2008, Server 2008 x64, Server 2008 running Terminal Services, Server 2008 x64 running Terminal Services

## Paper Handling Standard

150-Sheet Output Bin, Integrated Duplex, Single Sheet Exit, Single Sheet Manual Feed, 250-Sheet Input Tray

## Paper Handling Optional

550-Sheet Drawer, Only one drawer may be installed at a time, 250-Sheet Drawer

## Paper Input Capacity, Standard: Up to

250+1 pages 20 lb or 75 gsm bond

## Paper Input Capacity, Maximum: Up to

800+1 pages 20 lb or 75 gsm bond

## Paper Output Capacity, Standard: Up to

150 pages 20 lb or 75 gsm bond

## Paper Output Capacity, Maximum: Up to

150 pages 20 lb or 75 gsm bond

## Finishing Option

No

## Number of Paper Inputs, Standard

2

## Number of Paper Inputs, Maximum

3

## Media Types Supported

Card Stock, Envelopes, Paper Labels, Plain Paper, Transparencies, Refer to the Card Stock & Label Guide

## Media Sizes Supported

10 Envelope, 7 3/4 Envelope, 9 Envelope, A4, A5, B5 Envelope, C5 Envelope, DL Envelope, A6 Card, Executive, Folio, JIS-B5, Legal, Letter, Statement, Universal, Office

## Standard Ports

Centronics IEEE 1284 Bidirectional Parallel, USB 2.0 Specification Hi-Speed Certified (Type B)

## Optional Network Ports

Lexmark N4000e Fast Ethernet (Print Only), Lexmark N4050e 802.11g Wireless Print Server (Print Only), External MarkNet™ N7020e Gigabit Ethernet, External MarkNet™ N7000e Fast Ethernet (USB), External MarkNet™ N7002e Fast Ethernet (parallel)

## Printable Area

0.158 inches of the top, bottom, right and left edges (within)

## Printer Languages (Standard)

PCL 5e Emulation, PCL 6 Emulation, Personal Printer Data Stream (PPDS), PostScript 3 Emulation

## Supplies Yield

\*Average standard page yield value declared in accordance with ISO/IEC 19752., 3,500\*-page Toner Cartridge

## Cartridge(s) Shipping with Product

1,000\*-page starter Return Program Toner Cartridge

## Packaged Size (in. - H x W x D)

14.0 x 18.1 x 16.5 in.

## Size (in. - H x W x D)

10.2 x 15.98 x 14.55 in.

## Weight (lb.)

29.77 lb.

## Noise Level, Idle

inaudible dBA

## Print Noise Level, Operating

53 dBA

## Product Warranty

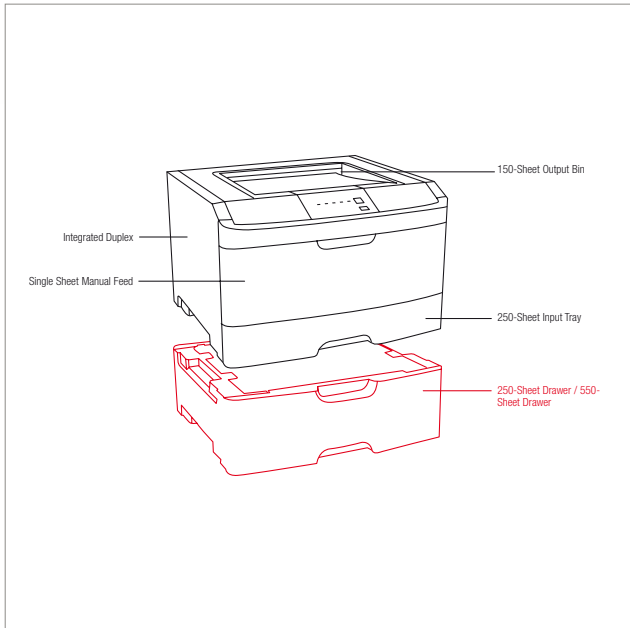
1-Year Exchange, Next Business Day

## Maximum Monthly Duty Cycle

Up to 50,000 pages per month

## Recommended Monthly Page Volume

250 - 2,500 pages



Paper Handling Standard  
 Paper Handling Optional

| Part #  | Model         |
|---------|---------------|
| 34S0100 | Lexmark E260d |

| Part #   | Laser Toner/Print Cartridge                           |
|----------|---|
| E260A11A | E260, E360, E460 Return Program Toner Cartridge       |
| E260A21A | E260, E360, E460 Toner Cartridge                      |
| E260X22G | E260, E360, E460, X264, X36x, X46x Photoconductor Kit |

| Part #  | Paper & Transparencies                |
|---------|---------------------------------------|
| 70X7240 | Laser Printer Transparencies (Letter) |

| Part #  | Paper Handling   |
|---------|------------------|
| 34S0550 | 550-Sheet Drawer |
| 34S0250 | 250-Sheet Drawer |

| Part #  | Memory Options                |
|---------|-------------------------------|
| 1022298 | 128MB DDR1-DRAM               |
| 30G0828 | Japanese Font Card            |
| 30G0825 | Korean Font Card              |
| 30G0826 | Simplified Chinese Font Card  |
| 30G0827 | Traditional Chinese Font Card |

| Part #  | Connectivity  |
|---------|---|
| 1021231 | Parallel Cable (10-foot)                              |
| 1021294 | USB Cable (2-meter)                                   |
| 14T0030 | Lexmark N4000e for Ethernet 10/100BaseTX              |
| 14T0145 | Lexmark N4050e 802.11g Wireless Print Server          |
| 14T0230 | MarkNet™ N7000e Fast Ethernet Print Server - USB      |
| 14T0240 | MarkNet™ N7002e Fast Ethernet Print Server - Parallel |
| 14T0220 | MarkNet™ N7020e Gigabit Ethernet Print Server         |

| Part #  | Extended Warranties                                |
|---------|--|
| 2350166 | 2-Years Total Exchange Service, Next Business Day  |
| 2350167 | 3-Years Total Exchange Service, Next Business Day  |
| 2350168 | 4-Years Total Exchange Service, Next Business Day  |
| 2350170 | 1-Year Exchange Service Renewal, Next Business Day |
| 2350173 | Upgrade to Onsite Service, Next Business Day       |
| 2350174 | 2-Years Total Onsite Service, Next Business Day    |
| 2350175 | 3-Years Total Onsite Service, Next Business Day    |
| 2350176 | 4-Years Total Onsite Service, Next Business Day    |
| 2350178 | 1-Year Onsite Service Renewal, Next Business Day   |

# Lexmark E260dn



Small-workgroup network printing with paper-saving duplex

## Print Technology

Monochrome Laser

## Print Speed (Letter, Black)

Up to 35 ppm

## Print Speed (Letter, Black) Duplex

Up to 17 spm

## Time to First Page (Black)

As fast as 6.5 seconds

## Print Resolution, Black

1200 Image Quality, 1200 x 1200 dpi, 2400 Image Quality, 600 x 600 dpi

## Processor

400 MHz

## Memory, Standard

32 MB

## Memory, Maximum

160 MB

## Expandable Memory Options

Yes

## Apple Macintosh Operating Systems Supported

Mac OS X (10.2 or later), Mac OS 9.2

## Citrix MetaFrame

Microsoft Windows 2000 Server running Terminal Services with Citrix Presentation Server 3.0, 4.0, Microsoft Windows Server 2003 running Terminal Services with Citrix Presentation Server 3.0, 4.0, 4.5, Microsoft Windows Server 2003 x64 running Terminal Services with Citrix Presentation Server 4.0 x64, 4.5 x64

## Linux Operating Systems Supported

Linpus Linux Desktop 9.2, 9.3, Red Hat Enterprise Linux WS 3.0, 4.0, 5.0, SUSE Linux Enterprise Server 8.0, 9.0, 10.0, SUSE Linux Enterprise Desktop 10, openSUSE 10.2, 10.3, 11.0, Linspire Linux 6.0, Debian GNU/Linux 4.0, Red Flag Linux Desktop 5.0, 6.0, Ubuntu 7.10, Ubuntu 8.04 LTS

## Microsoft Windows Operating Systems Supported

2000, XP, Server 2003, XP x64, Server 2003 running Terminal Services, 2000 Server running Terminal Services, Server 2003 x64, Server 2003 x64 running Terminal Services, Vista, Vista x64, Server 2008, Server 2008 x64, Server 2008 running Terminal Services, Server 2008 x64 running Terminal Services

## Novell Operating Systems Supported

Open Enterprise Server for Netware with NDS, iPrint or Novell Distributed Print Services (NDPS), NetWare 5.x, 6.x with iPrint or Novell Distributed Print Services (NDPS)

## UNIX Operating Systems Supported

Sun Solaris SPARC 8, 9, 10, Sun Solaris x86 10, HP-UX 11.11, 11.23, 11.31, IBM AIX 5.2, 5.3, 6.1

## Other Operating Systems Supported

IBM iSeries or IBM AS/400® Systems with TCP/IP with OS/400® V3R1 or later using OS/400 Host Print Transform, Virtually any platform supporting TCP/IP

## Paper Handling Standard

150-Sheet Output Bin, Integrated Duplex, Single Sheet Exit, Single Sheet Manual Feed, 250-Sheet Input Tray

## Paper Handling Optional

550-Sheet Drawer, Only one drawer may be installed at a time, 250-Sheet Drawer

## Paper Input Capacity, Standard: Up to

250+1 pages 20 lb or 75 gsm bond

## Paper Input Capacity, Maximum: Up to

800+1 pages 20 lb or 75 gsm bond

## Paper Output Capacity, Standard: Up to

150 pages 20 lb or 75 gsm bond

## Paper Output Capacity, Maximum: Up to

150 pages 20 lb or 75 gsm bond

## Finishing Option

No

## Number of Paper Inputs, Standard

2

## Number of Paper Inputs, Maximum

3

## Media Types Supported

Card Stock, Envelopes, Paper Labels, Plain Paper, Transparencies, Refer to the Card Stock & Label Guide

## Media Sizes Supported

10 Envelope, 7 3/4 Envelope, 9 Envelope, A4, A5, B5 Envelope, C5 Envelope, DL Envelope, A6 Card, Executive, Folio, JIS-B5, Legal, Letter, Statement, Universal, Oficio

## Standard Ports

Centronics IEEE 1284 Bidirectional Parallel, Ethernet 10/100BaseTX (RJ-45), USB 2.0 Specification Hi-Speed Certified (Type B)

## Optional Network Ports

Lexmark N4050e 802.11g Wireless Print Server (Print Only), External MarkNet™ N7020e Gigabit Ethernet

## Network Printing Methods

LPR/LPD, Direct IP (Port 9100), HTTP, Enhanced IP (Port 9400), FTP, TFTP, IPP 1.1 (Internet Printing Protocol)

## Network Protocol Support

TCP/IP IPv4, TCP/IP IPv6, TCP, UDP

## Printable Area

0.158 inches of the top, bottom, right and left edges (within)

## Printer Languages (Standard)

PCL 5e Emulation, PCL 6 Emulation, Personal Printer Data Stream (PPDS), PostScript 3 Emulation

## Supplies Yield

\*Average standard page yield value declared in accordance with ISO/IEC 19752., 3,500\*-page Toner Cartridge

## Cartridge(s) Shipping with Product

1,000\*-page starter Return Program Toner Cartridge

## Packaged Size (in. - H x W x D)

14.0 x 18.1 x 16.5 in.

## Size (in. - H x W x D)

10.2 x 15.98 x 14.55 in.

## Weight (lb.)

29.77 lb.

## Noise Level, Idle

inaudible dBA

## Print Noise Level, Operating

53 dBA

## Product Warranty

1-Year Exchange, Next Business Day

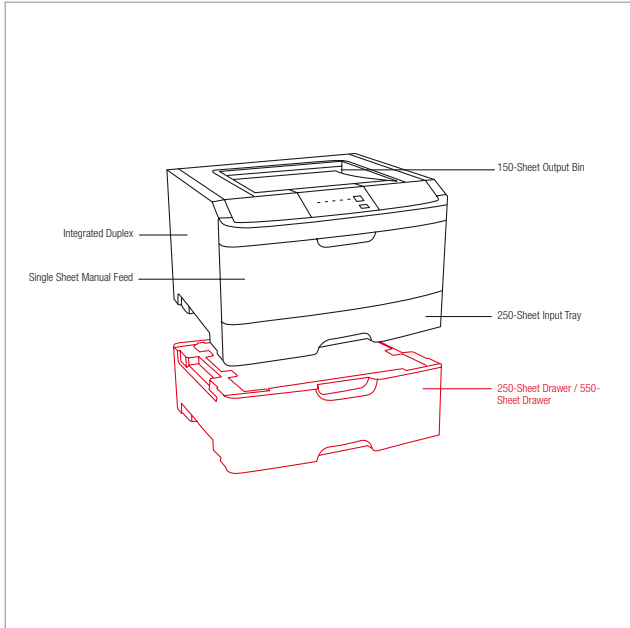
## Maximum Monthly Duty Cycle

Up to 50,000 pages per month

## Recommended Monthly Page Volume

250 - 2,500 pages





Paper Handling Standard  
 Paper Handling Optional

|               |   |
|---------------|---|
| <b>Part #</b> | <b>Model</b>  |
| 34S0300       | Lexmark E260dn  |
| <b>Part #</b> | <b>Laser Toner/Print Cartridge</b>                    |
| E260A11A      | E260, E360, E460 Return Program Toner Cartridge       |
| E260A21A      | E260, E360, E460 Toner Cartridge                      |
| E260X22G      | E260, E360, E460, X264, X36x, X46x Photoconductor Kit |
| <b>Part #</b> | <b>Paper &amp; Transparencies</b>                     |
| 70X7240       | Laser Printer Transparencies (Letter)                 |
| <b>Part #</b> | <b>Paper Handling</b>                                 |
| 34S0550       | 550-Sheet Drawer                                      |
| 34S0250       | 250-Sheet Drawer                                      |
| <b>Part #</b> | <b>Memory Options</b>                                 |
| 1022298       | 128MB DDR1-DRAM                                       |
| 30G0828       | Japanese Font Card                                    |
| 30G0825       | Korean Font Card                                      |
| 30G0826       | Simplified Chinese Font Card                          |
| 30G0827       | Traditional Chinese Font Card                         |
| <b>Part #</b> | <b>Connectivity</b>                                   |
| 1021231       | Parallel Cable (10-foot)                              |
| 1021294       | USB Cable (2-meter)                                   |
| 14T0145       | Lexmark N4050e 802.11g Wireless Print Server          |
| 14T0220       | MarkNet™ N7020e Gigabit Ethernet Print Server         |
| <b>Part #</b> | <b>Extended Warranties</b>                            |
| 2350166       | 2-Years Total Exchange Service, Next Business Day     |
| 2350167       | 3-Years Total Exchange Service, Next Business Day     |
| 2350168       | 4-Years Total Exchange Service, Next Business Day     |
| 2350170       | 1-Year Exchange Service Renewal, Next Business Day    |
| 2350173       | Upgrade to Onsite Service, Next Business Day          |
| 2350174       | 2-Years Total Onsite Service, Next Business Day       |
| 2350175       | 3-Years Total Onsite Service, Next Business Day       |
| 2350176       | 4-Years Total Onsite Service, Next Business Day       |
| 2350178       | 1-Year Onsite Service Renewal, Next Business Day      |



# Lexmark E360d

Accelerated performance for demanding small workgroups

## Print Technology

Monochrome Laser

## Print Speed (Letter, Black)

Up to 40 ppm

## Print Speed (Letter, Black) Duplex

Up to 18 spm

## Time to First Page (Black)

As fast as 6.5 seconds

## Print Resolution, Black

1200 Image Quality, 1200 x 1200 dpi, 2400 Image

Quality, 600 x 600 dpi

## Processor

400 MHz

## Memory, Standard

32 MB

## Memory, Maximum

288 MB

## Expandable Memory Options

Yes

## Apple Macintosh Operating Systems Supported

Mac OS X (10.2 or later), Mac OS 9.2

## Citrix MetaFrame

Microsoft Windows 2000 Server running Terminal Services with Citrix Presentation Server 3.0, 4.0, Microsoft Windows Server 2003 running Terminal Services with Citrix Presentation Server 3.0, 4.0, 4.5, Microsoft Windows Server 2003 x64 running Terminal Services with Citrix Presentation Server 4.0 x64, 4.5 x64

## Linux Operating Systems Supported

Linpus Linux Desktop 9.2, 9.3, Red Hat Enterprise Linux WS 3.0, 4.0, 5.0, SUSE Linux Enterprise Server 8.0, 9.0, 10.0, SUSE Linux Enterprise Desktop 10, openSUSE 10.2, 10.3, 11.0, Linspire Linux 6.0, Debian GNU/Linux 4.0, Red Flag Linux Desktop 5.0, 6.0, Ubuntu 7.10, Ubuntu 8.04 LTS

## Microsoft Windows Operating Systems Supported

2000, XP, Server 2003, XP x64, Server 2003 running Terminal Services, 2000 Server running Terminal Services, Server 2003 x64, Server 2003 x64 running Terminal Services, Vista, Vista x64, Server 2008, Server 2008 x64, Server 2008 running Terminal Services, Server 2008 x64 running Terminal Services

## Paper Handling Standard

150-Sheet Output Bin, Integrated Duplex, Single Sheet Exit, 250-Sheet Input Tray, 50-Sheet Multipurpose Feeder

## Paper Handling Optional

550-Sheet Drawer, Only one drawer may be installed at a time, 250-Sheet Drawer

## Paper Input Capacity, Standard: Up to

300 pages 20 lb or 75 gsm bond

## Paper Input Capacity, Maximum: Up to

850 pages 20 lb or 75 gsm bond

## Paper Output Capacity, Standard: Up to

150 pages 20 lb or 75 gsm bond

## Paper Output Capacity, Maximum: Up to

150 pages 20 lb or 75 gsm bond

## Finishing Option

No

## Number of Paper Inputs, Standard

2

## Number of Paper Inputs, Maximum

3

## Media Types Supported

Card Stock, Envelopes, Paper Labels, Plain Paper, Transparencies, Refer to the Card Stock & Label Guide

## Media Sizes Supported

10 Envelope, 7 3/4 Envelope, 9 Envelope, A4, A5, B5 Envelope, C5 Envelope, DL Envelope, A6 Card, Executive, Folio, JIS-B5, Legal, Letter, Statement, Universal, Office

## Standard Ports

Centronics IEEE 1284 Bidirectional Parallel, USB 2.0 Specification Hi-Speed Certified (Type B)

## Optional Network Ports

Lexmark N4000e Fast Ethernet (Print Only), Lexmark N4050e 802.11g Wireless Print Server (Print Only), External MarkNet™ N7020e Gigabit Ethernet, External MarkNet™ N7000e Fast Ethernet (USB), External MarkNet™ N7002e Fast Ethernet (parallel)

## Printable Area

0.158 inches of the top, bottom, right and left edges (within)

## Printer Languages (Standard)

PCL 5e Emulation, PCL 6 Emulation, Personal Printer Data Stream (PPDS), PostScript 3 Emulation

## Supplies Yield

\*Average standard page yield value declared in accordance with ISO/IEC 19752., 9,000\*-page High Yield Toner Cartridge, 3,500\*-page Toner Cartridge

## Cartridge(s) Shipping with Product

2,300\*-page starter Return Program Toner Cartridge

## Packaged Size (in. - H x W x D)

14.0 x 18.1 x 16.5 in.

## Size (in. - H x W x D)

10.2 x 15.98 x 14.55 in.

## Weight (lb.)

30.43 lb.

## Noise Level, Idle

inaudible dBA

## Print Noise Level, Operating

53 dBA

## Product Warranty

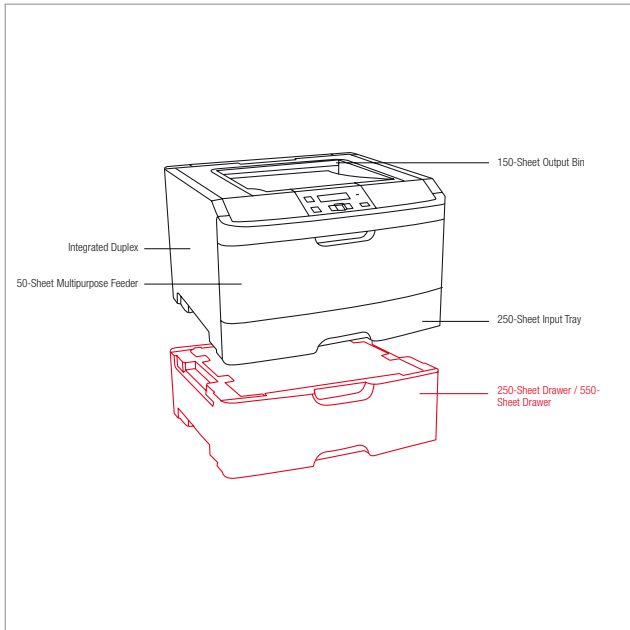
1-Year Exchange

## Maximum Monthly Duty Cycle

Up to 80,000 pages per month

## Recommended Monthly Page Volume

740 - 6,000 pages



| Part #  | Model         |
|---------|---------------|
| 34S0400 | Lexmark E360d |

| Part #   | Laser Toner/Print Cartridge                           |
|----------|---|
| E360H11A | E360, E460 High Yield Return Program Toner Cartridge  |
| E260A11A | E260, E360, E460 Return Program Toner Cartridge       |
| E360H21A | E360, E460 High Yield Toner Cartridge                 |
| E260A21A | E260, E360, E460 Toner Cartridge                      |
| E260X22G | E260, E360, E460, X264, X36x, X46x Photoconductor Kit |

| Part #  | Paper & Transparencies                |
|---------|---------------------------------------|
| 70X7240 | Laser Printer Transparencies (Letter) |

| Part #  | Paper Handling   |
|---------|------------------|
| 34S0550 | 550-Sheet Drawer |
| 34S0250 | 250-Sheet Drawer |

| Part #  | Memory Options                |
|---------|-------------------------------|
| 1022298 | 128MB DDR1-DRAM               |
| 1022299 | 256MB DDR1-DRAM               |
| 1021209 | 64MB Flash Card               |
| 30G0828 | Japanese Font Card            |
| 30G0825 | Korean Font Card              |
| 30G0826 | Simplified Chinese Font Card  |
| 30G0827 | Traditional Chinese Font Card |

| Part #  | Connectivity  |
|---------|---|
| 1021231 | Parallel Cable (10-foot)                              |
| 1021294 | USB Cable (2-meter)                                   |
| 14T0030 | Lexmark N4000e for Ethernet 10/100BaseTX              |
| 14T0145 | Lexmark N4050e 802.11g Wireless Print Server          |
| 14T0230 | MarkNet™ N7000e Fast Ethernet Print Server - USB      |
| 14T0240 | MarkNet™ N7002e Fast Ethernet Print Server - Parallel |
| 14T0220 | MarkNet™ N7020e Gigabit Ethernet Print Server         |

| Part #  | Extended Warranties                                |
|---------|--|
| 2350208 | 2-Years Total Exchange Service, Next Business Day  |
| 2350209 | 3-Years Total Exchange Service, Next Business Day  |
| 2350210 | 4-Years Total Exchange Service, Next Business Day  |
| 2350212 | 1-Year Exchange Service Renewal, Next Business Day |
| 2350215 | Upgrade to Onsite Service, Next Business Day       |
| 2350216 | 2-Years Total Onsite Service, Next Business Day    |
| 2350217 | 3-Years Total Onsite Service, Next Business Day    |
| 2350218 | 4-Years Total Onsite Service, Next Business Day    |
| 2350220 | 1-Year Onsite Service Renewal, Next Business Day   |

# Lexmark E360dn



Efficient network printing for demanding small workgroups

## Print Technology

Monochrome Laser

## Print Speed (Letter, Black)

Up to 40 ppm

## Print Speed (Letter, Black) Duplex

Up to 18 spm

## Time to First Page (Black)

As fast as 6.5 seconds

## Print Resolution, Black

1200 Image Quality, 1200 x 1200 dpi, 2400 Image Quality, 600 x 600 dpi

## Processor

400 MHz

## Memory, Standard

32 MB

## Memory, Maximum

288 MB

## Expandable Memory Options

Yes

## Apple Macintosh Operating Systems Supported

Mac OS X (10.2 or later), Mac OS 9.2

## Citrix MetaFrame

Microsoft Windows 2000 Server running Terminal Services with Citrix Presentation Server 3.0, 4.0, Microsoft Windows Server 2003 running Terminal Services with Citrix Presentation Server 3.0, 4.0, 4.5, Microsoft Windows Server 2003 x64 running Terminal Services with Citrix Presentation Server 4.0 x64, 4.5 x64

## Linux Operating Systems Supported

Linpus Linux Desktop 9.2, 9.3, Red Hat Enterprise Linux WS 3.0, 4.0, 5.0, SUSE Linux Enterprise Server 8.0, 9.0, 10.0, SUSE Linux Enterprise Desktop 10, openSUSE 10.2, 10.3, 11.0, Linspire Linux 6.0, Debian GNU/Linux 4.0, Red Flag Linux Desktop 5.0, 6.0, Ubuntu 7.10, Ubuntu 8.04 LTS

## Microsoft Windows Operating Systems Supported

2000, XP, Server 2003, XP x64, Server 2003 running Terminal Services, 2000 Server running Terminal Services, Server 2003 x64, Server 2003 x64 running Terminal Services, Vista, Vista x64, Server 2008, Server 2008 x64, Server 2008 running Terminal Services, Server 2008 x64 running Terminal Services

## Novell Operating Systems Supported

Open Enterprise Server for Netware with NDS, iPrint or Novell Distributed Print Services (NDPS), NetWare 5.x, 6.x with iPrint or Novell Distributed Print Services (NDPS)

## UNIX Operating Systems Supported

Sun Solaris SPARC 8, 9, 10, Sun Solaris x86 10, HP-UX 11.11, 11.23, 11.31, IBM AIX 5.2, 5.3, 6.1

## Other Operating Systems Supported

IBM iSeries or IBM AS/400® Systems with TCP/IP with OS/400® V3R1 or later using OS/400 Host Print Transform, Virtually any platform supporting TCP/IP

## Paper Handling Standard

150-Sheet Output Bin, Integrated Duplex, Single Sheet Exit, 250-Sheet Input Tray, 50-Sheet Multipurpose Feeder

## Paper Handling Optional

550-Sheet Drawer, Only one drawer may be installed at a time, 250-Sheet Drawer

## Paper Input Capacity, Standard: Up to

300 pages 20 lb or 75 gsm bond

## Paper Input Capacity, Maximum: Up to

850 pages 20 lb or 75 gsm bond

## Paper Output Capacity, Standard: Up to

150 pages 20 lb or 75 gsm bond

## Paper Output Capacity, Maximum: Up to

150 pages 20 lb or 75 gsm bond

## Finishing Option

No

## Number of Paper Inputs, Standard

2

## Number of Paper Inputs, Maximum

3

## Media Types Supported

Card Stock, Envelopes, Paper Labels, Plain Paper, Transparencies, Refer to the Card Stock & Label Guide

## Media Sizes Supported

10 Envelope, 7 3/4 Envelope, 9 Envelope, A4, A5, B5 Envelope, C5 Envelope, DL Envelope, A6 Card, Executive, Folio, JIS-B5, Legal, Letter, Statement, Universal, Oficio

## Standard Ports

Centronics IEEE 1284 Bidirectional Parallel, Ethernet 10/100BaseTX (RJ-45), USB 2.0 Specification Hi-Speed Certified (Type B)

## Optional Network Ports

Lexmark N4050e 802.11g Wireless Print Server (Print Only), External MarkNet™ N7020e Gigabit Ethernet

## Network Printing Methods

LPR/LPD, Direct IP (Port 9100), HTTP, Enhanced IP (Port 9400), FTP, TFTP, IPP 1.1 (Internet Printing Protocol)

## Network Protocol Support

TCP/IP IPv4, AppleTalk™, TCP/IP IPv6, TCP, UDP

## Printable Area

0.158 inches of the top, bottom, right and left edges (within)

## Printer Languages (Standard)

PCL 5e Emulation, PCL 6 Emulation, Personal Printer Data Stream (PPDS), PostScript 3 Emulation

## Supplies Yield

\*Average standard page yield value declared in accordance with ISO/IEC 19752., 9,000\*-page High Yield Toner Cartridge, 3,500\*-page Toner Cartridge

## Cartridge(s) Shipping with Product

2,300\*-page starter Return Program Toner Cartridge  
**Packaged Size (in. - H x W x D)**

14.0 x 18.1 x 16.5 in.

## Size (in. - H x W x D)

10.2 x 15.98 x 14.55 in.

## Weight (lb.)

30.43 lb.

## Noise Level, Idle

inaudible dBA

## Print Noise Level, Operating

53 dBA

## Product Warranty

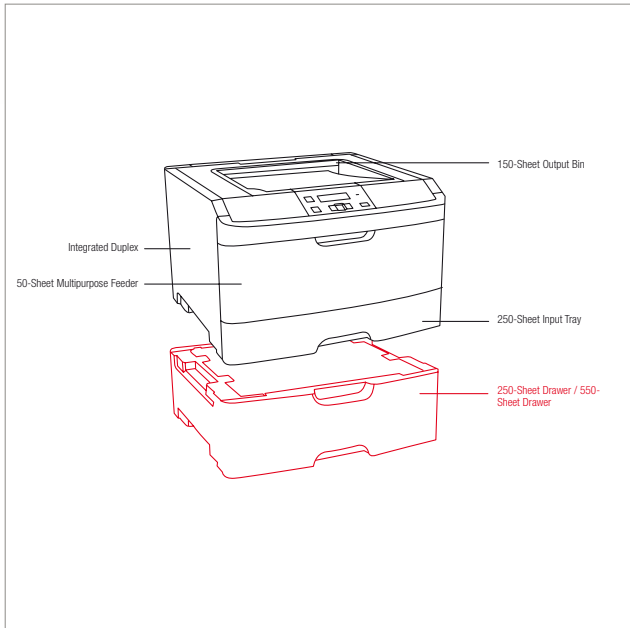
1-Year Exchange

## Maximum Monthly Duty Cycle

Up to 80,000 pages per month

## Recommended Monthly Page Volume

740 - 6,000 pages



Paper Handling Standard  
 Paper Handling Optional

| Part #   | Model   |
|----------|---|
| 34S0500  | Lexmark E360dn  |
| Part #   | Laser Toner/Print Cartridge                           |
| E360H11A | E360, E460 High Yield Return Program Toner Cartridge  |
| E260A11A | E260, E360, E460 Return Program Toner Cartridge       |
| E360H21A | E360, E460 High Yield Toner Cartridge                 |
| E260A21A | E260, E360, E460 Toner Cartridge                      |
| E260X22G | E260, E360, E460, X264, X36x, X46x Photoconductor Kit |
| Part #   | Paper & Transparencies                                |
| 70X7240  | Laser Printer Transparencies (Letter)                 |
| Part #   | Paper Handling  |
| 34S0550  | 550-Sheet Drawer                                      |
| 34S0250  | 250-Sheet Drawer                                      |
| Part #   | Memory Options  |
| 1022298  | 128MB DDR1-DRAM                                       |
| 1022299  | 256MB DDR1-DRAM                                       |
| 1021209  | 64MB Flash Card                                       |
| 30G0828  | Japanese Font Card                                    |
| 30G0825  | Korean Font Card                                      |
| 30G0826  | Simplified Chinese Font Card                          |
| 30G0827  | Traditional Chinese Font Card                         |
| Part #   | Connectivity  |
| 1021231  | Parallel Cable (10-foot)                              |
| 1021294  | USB Cable (2-meter)                                   |
| 14T0145  | Lexmark N4050e 802.11g Wireless Print Server          |
| 14T0220  | MarkNet™ N7020e Gigabit Ethernet Print Server         |
| Part #   | Extended Warranties                                   |
| 2350208  | 2-Years Total Exchange Service, Next Business Day     |
| 2350209  | 3-Years Total Exchange Service, Next Business Day     |
| 2350210  | 4-Years Total Exchange Service, Next Business Day     |
| 2350212  | 1-Year Exchange Service Renewal, Next Business Day    |
| 2350215  | Upgrade to Onsite Service, Next Business Day          |
| 2350216  | 2-Years Total Onsite Service, Next Business Day       |
| 2350217  | 3-Years Total Onsite Service, Next Business Day       |
| 2350218  | 4-Years Total Onsite Service, Next Business Day       |
| 2350220  | 1-Year Onsite Service Renewal, Next Business Day      |

# Lexmark E460dn



A compact, high-endurance printer for small and midsize workgroups

## Print Technology

Monochrome Laser

## Print Speed (Letter, Black)

Up to 40 ppm

## Print Speed (Letter, Black) Duplex

Up to 18 ppm

## Time to First Page (Black)

As fast as 6.5 seconds

## Print Resolution, Black

1200 Image Quality, 1200 x 1200 dpi, 2400 Image Quality, 600 x 600 dpi

## Processor

466 MHz

## Memory, Standard

64 MB

## Memory, Maximum

576 MB

## Expandable Memory Options

Yes

## Apple Macintosh Operating Systems Supported

Mac OS X (10.2 or later), Mac OS 9.2

## Citrix MetaFrame

Microsoft Windows 2000 Server running Terminal Services with Citrix Presentation Server 3.0, 4.0, Microsoft Windows Server 2003 running Terminal Services with Citrix Presentation Server 3.0, 4.0, 4.5, Microsoft Windows Server 2003 x64 running Terminal Services with Citrix Presentation Server 4.0 x64, 4.5 x64

## Linux Operating Systems Supported

Linpus Linux Desktop 9.2, 9.3, Red Hat Enterprise Linux WS 3.0, 4.0, 5.0, SUSE Linux Enterprise Server 8.0, 9.0, 10.0, SUSE Linux Enterprise Desktop 10, openSUSE 10.2, 10.3, 11.0, Linspire Linux 6.0, Debian GNU/Linux 4.0, Red Flag Linux Desktop 5.0, 6.0, Ubuntu 7.10, Ubuntu 8.04 LTS

## Microsoft Windows Operating Systems Supported

2000, XP, Server 2003, XP x64, Server 2003 running Terminal Services, 2000 Server running Terminal Services, Server 2003 x64, Server 2003 x64 running Terminal Services, Vista, Vista x64, Server 2008, Server 2008 x64, Server 2008 running Terminal Services, Server 2008 x64 running Terminal Services

## Novell Operating Systems Supported

Open Enterprise Server for Netware with NDS, iPrint or Novell Distributed Print Services (NDPS), NetWare 5.x, 6.x with iPrint or Novell Distributed Print Services (NDPS)

## UNIX Operating Systems Supported

Sun Solaris SPARC 8, 9, 10, Sun Solaris x86 10, HP-UX 11.11, 11.23, 11.31, IBM AIX 5.2, 5.3, 6.1

## Other Operating Systems Supported

IBM iSeries or IBM AS/400® Systems with TCP/IP with OS/400® V3R1 or later using OS/400 Host Print Transform, Virtually any platform supporting TCP/IP

## Paper Handling Standard

150-Sheet Output Bin, Integrated Duplex, Single Sheet Exit, 250-Sheet Input Tray, 50-Sheet Multipurpose Feeder

## Paper Handling Optional

550-Sheet Drawer, Only one drawer may be installed at a time, 250-Sheet Drawer

## Paper Input Capacity, Standard: Up to

300 pages 20 lb or 75 gsm bond

## Paper Input Capacity, Maximum: Up to

850 pages 20 lb or 75 gsm bond

## Paper Output Capacity, Standard: Up to

150 pages 20 lb or 75 gsm bond

## Paper Output Capacity, Maximum: Up to

150 pages 20 lb or 75 gsm bond

## Finishing Option

No

## Number of Paper Inputs, Standard

2

## Number of Paper Inputs, Maximum

3

## Media Types Supported

Card Stock, Envelopes, Paper Labels, Plain Paper, Transparencies, Refer to the Card Stock & Label Guide

## Media Sizes Supported

10 Envelope, 7 3/4 Envelope, 9 Envelope, A4, A5, B5 Envelope, C5 Envelope, DL Envelope, A6 Card, Executive, Folio, JIS-B5, Legal, Letter, Statement, Universal, Oficio

## Standard Ports

Centronics IEEE 1284 Bidirectional Parallel, Ethernet 10/100BaseTX (RJ-45), USB 2.0 Specification Hi-Speed Certified (Type B)

## Optional Network Ports

Lexmark N4050e 802.11g Wireless Print Server (Print Only), External MarkNet™ N7020e Gigabit Ethernet

## Network Printing Methods

LPR/LPD, Direct IP (Port 9100), HTTP, Enhanced IP (Port 9400), FTP, TFTP, IPP 1.1 (Internet Printing Protocol), ThinPrint, print integration

## Network Protocol Support

TCP/IP IPv4, IPX/SPX, AppleTalk™, LexLink (DLC), TCP/IP IPv6, TCP, UDP

## Network Security

SNMPv3, 802.1x Authentication: MD5, MSCHAPv2, LEAP, PEAP, TLS, TTLS

## Printable Area

0.158 inches of the top, bottom, right and left edges (within)

## Printer Languages (Standard)

PCL 5e Emulation, PCL 6 Emulation, Personal Printer Data Stream (PPDS), PostScript 3 Emulation, xHTML, PDF 1.6, Direct Image, Microsoft XPS (XML Paper Specification)

## Supplies Yield

\*Average standard page yield value declared in accordance with ISO/IEC 19752., 9,000\*-page High Yield Toner Cartridge, 3,500\*-page Toner Cartridge, 15,000\*-page Extra High Yield Toner Cartridge

## Cartridge(s) Shipping with Product

7,000\*-page starter Return Program Toner Cartridge

## Packaged Size (in. - H x W x D)

14.0 x 18.1 x 16.5 in.

## Size (in. - H x W x D)

10.2 x 15.98 x 14.55 in.

## Size, Trays Extended (in. - H x W x D)

10.2 x 15.98 x 23.0 in.

## Weight (lb.)

30.87 lb.

## Noise Level, Idle

inaudible dBA

## Print Noise Level, Operating

53 dBA

## Product Warranty

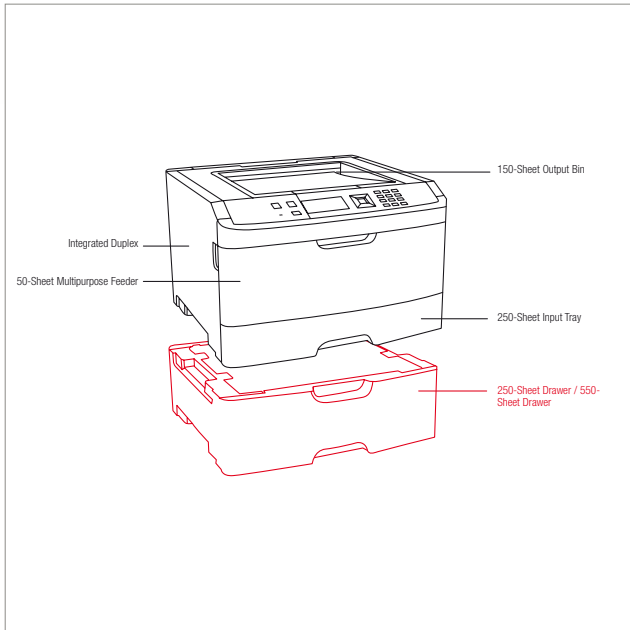
1-Year Exchange

## Maximum Monthly Duty Cycle

Up to 80,000 pages per month

## Recommended Monthly Page Volume

1,500 - 10,000 pages



Paper Handling Standard  
 Paper Handling Optional

| Part #  | Model          |
|---------|----------------|
| 34S0700 | Lexmark E460dn |

| Part #   | Laser Toner/Print Cartridge                           |
|----------|---|
| E460X11A | E460 Extra High Yield Return Program Toner Cartridge  |
| E360H11A | E360, E460 High Yield Return Program Toner Cartridge  |
| E260A11A | E260, E360, E460 Return Program Toner Cartridge       |
| E460X21A | E460 Extra High Yield Toner Cartridge                 |
| E360H21A | E360, E460 High Yield Toner Cartridge                 |
| E260A21A | E260, E360, E460 Toner Cartridge                      |
| E260X22G | E260, E360, E460, X264, X36x, X46x Photoconductor Kit |

| Part #  | Paper & Transparencies                |
|---------|---------------------------------------|
| 70X7240 | Laser Printer Transparencies (Letter) |

| Part #  | Paper Handling   |
|---------|------------------|
| 34S0550 | 550-Sheet Drawer |
| 34S0250 | 250-Sheet Drawer |

| Part #  | Memory Options                |
|---------|-------------------------------|
| 1022298 | 128MB DDR1-DRAM               |
| 1022299 | 256MB DDR1-DRAM               |
| 1022301 | 512MB DDR1-DRAM               |
| 14F0245 | 256MB Flash Card              |
| 30G0828 | Japanese Font Card            |
| 30G0825 | Korean Font Card              |
| 30G0826 | Simplified Chinese Font Card  |
| 30G0827 | Traditional Chinese Font Card |

| Part #  | Application Solutions        |
|---------|------------------------------|
| 30G0829 | Lexmark PrintCrypton Card    |
| 34S0970 | E460 Forms and Bar Code Card |

| Part #  | Connectivity                                  |
|---------|---|
| 1021231 | Parallel Cable (10-foot)                      |
| 1021294 | USB Cable (2-meter)                           |
| 14T0145 | Lexmark N4050e 802.11g Wireless Print Server  |
| 14T0220 | MarkNet™ N7020e Gigabit Ethernet Print Server |

| Part #  | Extended Warranties                                |
|---------|--|
| 2350250 | 2-Years Total Exchange Service, Next Business Day  |
| 2350251 | 3-Years Total Exchange Service, Next Business Day  |
| 2350252 | 4-Years Total Exchange Service, Next Business Day  |
| 2350253 | 5-Years Total Exchange Service, Next Business Day  |
| 2350254 | 1-Year Exchange Service Renewal, Next Business Day |
| 2350257 | Upgrade to Onsite Service, Next Business Day       |
| 2350258 | 2-Years Total Onsite Service, Next Business Day    |
| 2350259 | 3-Years Total Onsite Service, Next Business Day    |
| 2350260 | 4-Years Total Onsite Service, Next Business Day    |
| 2350261 | 5-Years Total Onsite Service, Next Business Day    |

| 2350262 | 1-Year Onsite Service Renewal, Next Business Day |
|---------|--|
| Part #  | Service Parts                                    |
| 40X5400 | E460, X46x Fuser Maintenance Kit 110-120V        |

# Lexmark E460dw



Fast wireless business printing for small and midsize workgroups

## Print Technology

Monochrome Laser

## Print Speed (Letter, Black)

Up to 40 ppm

## Print Speed (Letter, Black) Duplex

Up to 18 spm

## Time to First Page (Black)

As fast as 6.5 seconds

## Print Resolution, Black

1200 Image Quality, 1200 x 1200 dpi, 2400 Image Quality, 600 x 600 dpi

## Processor

466 MHz

## Memory, Standard

64 MB

## Memory, Maximum

576 MB

## Expandable Memory Options

Yes

## Apple Macintosh Operating Systems Supported

Mac OS X (10.2 or later), Mac OS 9.2

## Citrix MetaFrame

Microsoft Windows 2000 Server running Terminal Services with Citrix Presentation Server 3.0, 4.0, Microsoft Windows Server 2003 running Terminal Services with Citrix Presentation Server 3.0, 4.0, 4.5, Microsoft Windows Server 2003 x64 running Terminal Services with Citrix Presentation Server 4.0 x64, 4.5 x64

## Linux Operating Systems Supported

Linpus Linux Desktop 9.2, 9.3, Red Hat Enterprise Linux WS 3.0, 4.0, 5.0, SUSE Linux Enterprise Server 8.0, 9.0, 10.0, SUSE Linux Enterprise Desktop 10, openSUSE 10.2, 10.3, 11.0, Linspire Linux 6.0, Debian GNU/Linux 4.0, Red Flag Linux Desktop 5.0, 6.0, Ubuntu 7.10, Ubuntu 8.04 LTS

## Microsoft Windows Operating Systems Supported

2000, XP, Server 2003, XP x64, Server 2003 running Terminal Services, 2000 Server running Terminal Services, Server 2003 x64, Server 2003 x64 running Terminal Services, Vista, Vista x64, Server 2008, Server 2008 x64, Server 2008 running Terminal Services, Server 2008 x64 running Terminal Services

## Novell Operating Systems Supported

Open Enterprise Server for Netware with NDS, iPrint or Novell Distributed Print Services (NDPS), NetWare 5.x, 6.x with iPrint or Novell Distributed Print Services (NDPS)

## UNIX Operating Systems Supported

Sun Solaris SPARC 8, 9, 10, Sun Solaris x86 10, HP-UX 11.11, 11.23, 11.31, IBM AIX 5.2, 5.3, 6.1

## Other Operating Systems Supported

IBM iSeries or IBM AS/400® Systems with TCP/IP with OS/400® V3R1 or later using OS/400 Host Print Transform, Virtually any platform supporting TCP/IP

## Paper Handling Standard

150-Sheet Output Bin, Integrated Duplex, Single Sheet Exit, 250-Sheet Input Tray, 50-Sheet Multipurpose Feeder

## Paper Handling Optional

550-Sheet Drawer, Only one drawer may be installed at a time, 250-Sheet Drawer

## Paper Input Capacity, Standard: Up to

300 pages 20 lb or 75 gsm bond

## Paper Input Capacity, Maximum: Up to

850 pages 20 lb or 75 gsm bond

## Paper Output Capacity, Standard: Up to

150 pages 20 lb or 75 gsm bond

## Paper Output Capacity, Maximum: Up to

150 pages 20 lb or 75 gsm bond

## Finishing Option

No

## Number of Paper Inputs, Standard

2

## Number of Paper Inputs, Maximum

3

## Media Types Supported

Card Stock, Envelopes, Paper Labels, Plain Paper, Transparencies, Refer to the Card Stock & Label Guide

## Media Sizes Supported

10 Envelope, 7 3/4 Envelope, 9 Envelope, A4, A5, B5 Envelope, C5 Envelope, DL Envelope, A6 Card, Executive, Folio, JIS-B5, Legal, Letter, Statement, Universal, Oficio

## Standard Ports

Ethernet 10/100BaseTX (RJ-45), USB 2.0 Specification Hi-Speed Certified (Type B), 802.11b/g/n Wireless

## Optional Network Ports

External MarkNet™ N7020e Gigabit Ethernet

## Network Printing Methods

LPR/LPD, Direct IP (Port 9100), HTTP, Enhanced IP (Port 9400), FTP, TFTP, IPP 1.1 (Internet Printing Protocol), ThinPrint, print integration

## Network Protocol Support

TCP/IP IPv4, IPX/SPX, AppleTalk™, LexLink (DLC), TCP/IP IPv6, TCP, UDP

## Network Security

SNMPv3, 802.1x Authentication: MD5, MSCHAPv2, LEAP, PEAP, TLS, TTLS

## Printable Area

0.158 inches of the top, bottom, right and left edges (within)

## Printer Languages (Standard)

PCL 5e Emulation, PCL 6 Emulation, Personal Printer Data Stream (PPDS), PostScript 3 Emulation, xHTML, PDF 1.6, Direct Image, Microsoft XPS (XML Paper Specification)

## Supplies Yield

\*Average standard page yield value declared in accordance with ISO/IEC 19752, 9,000\*-page High Yield Toner Cartridge, 3,500\*-page Toner Cartridge, 15,000\*-page Extra High Yield Toner Cartridge

## Cartridge(s) Shipping with Product

7,000\*-page starter Return Program Toner Cartridge

## Packaged Size (in. - H x W x D)

14.0 x 18.9 x 16.9 in.

## Size (in. - H x W x D)

10.2 x 15.9 x 14.55 in.

## Size, Trays Extended (in. - H x W x D)

10.2 x 15.9 x 23.0 in.

## Weight (lb.)

30.91 lb.

## Noise Level, Idle

inaudible dBA

## Print Noise Level, Operating

53 dBA

## Product Warranty

1-Year Exchange

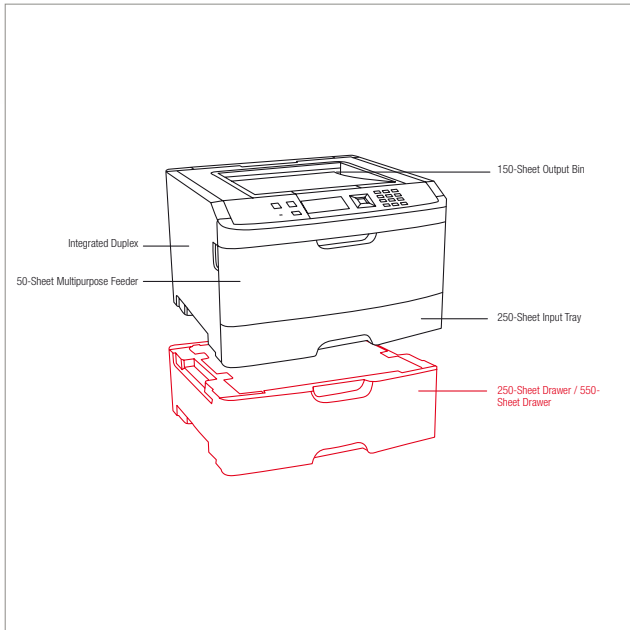
## Maximum Monthly Duty Cycle

Up to 80,000 pages per month

## Recommended Monthly Page Volume

1,500 - 10,000 pages





Paper Handling Standard  
 Paper Handling Optional

|               |   |
|---------------|---|
| <b>Part #</b> | <b>Model</b>  |
| 34S0600       | Lexmark E460dw  |
| <b>Part #</b> | <b>Laser Toner/Print Cartridge</b>                    |
| E460X11A      | E460 Extra High Yield Return Program Toner Cartridge  |
| E360H11A      | E360, E460 High Yield Return Program Toner Cartridge  |
| E260A11A      | E260, E360, E460 Return Program Toner Cartridge       |
| E460X21A      | E460 Extra High Yield Toner Cartridge                 |
| E360H21A      | E360, E460 High Yield Toner Cartridge                 |
| E260A21A      | E260, E360, E460 Toner Cartridge                      |
| E260X22G      | E260, E360, E460, X264, X36x, X46x Photoconductor Kit |
| <b>Part #</b> | <b>Paper &amp; Transparencies</b>                     |
| 70X7240       | Laser Printer Transparencies (Letter)                 |
| <b>Part #</b> | <b>Paper Handling</b>                                 |
| 34S0550       | 550-Sheet Drawer                                      |
| 34S0250       | 250-Sheet Drawer                                      |
| <b>Part #</b> | <b>Memory Options</b>                                 |
| 1022298       | 128MB DDR1-DRAM                                       |
| 1022299       | 256MB DDR1-DRAM                                       |
| 1022301       | 512MB DDR1-DRAM                                       |
| 14F0245       | 256MB Flash Card                                      |
| 30G0828       | Japanese Font Card                                    |
| 30G0825       | Korean Font Card                                      |
| 30G0826       | Simplified Chinese Font Card                          |
| 30G0827       | Traditional Chinese Font Card                         |
| <b>Part #</b> | <b>Application Solutions</b>                          |
| 30G0829       | Lexmark PrintCrypton Card                             |
| 34S0970       | E460 Forms and Bar Code Card                          |
| <b>Part #</b> | <b>Connectivity</b>                                   |
| 1021294       | USB Cable (2-meter)                                   |
| 14T0220       | MarkNet™ N7020e Gigabit Ethernet Print Server         |
| <b>Part #</b> | <b>Extended Warranties</b>                            |
| 2350250       | 2-Years Total Exchange Service, Next Business Day     |
| 2350251       | 3-Years Total Exchange Service, Next Business Day     |
| 2350252       | 4-Years Total Exchange Service, Next Business Day     |
| 2350253       | 5-Years Total Exchange Service, Next Business Day     |
| 2350254       | 1-Year Exchange Service Renewal, Next Business Day    |
| 2350257       | Upgrade to Onsite Service, Next Business Day          |
| 2350258       | 2-Years Total Onsite Service, Next Business Day       |
| 2350259       | 3-Years Total Onsite Service, Next Business Day       |
| 2350260       | 4-Years Total Onsite Service, Next Business Day       |
| 2350261       | 5-Years Total Onsite Service, Next Business Day       |
| 2350262       | 1-Year Onsite Service Renewal, Next Business Day      |
| <b>Part #</b> | <b>Service Parts</b>                                  |
| 40X5400       | E460, X46x Fuser Maintenance Kit 110-120V             |



# Lexmark T650n

Great value for your performance-seeking business

## Print Technology

Monochrome Laser

## Print Speed (Letter, Black)

Up to 45 ppm

## Time to First Page (Black)

As fast as 7.5 seconds

## Print Resolution, Black

1200 Image Quality, 1200 x 1200 dpi, 2400 Image

Quality, 600 x 600 dpi

## Processor

500 Mhz

## Memory, Standard

128 MB

## Memory, Maximum

640 MB

## Expandable Memory Options

Yes

## Apple Macintosh Operating Systems Supported

Mac OS X, Mac OS 9.2

## Citrix MetaFrame

Microsoft Windows 2000 Server running Terminal

Services with Citrix Presentation Server 3.0, 4.0,

Microsoft Windows Server 2003 running Terminal

Services with Citrix Presentation Server 3.0, 4.0, 4.5,

Microsoft Windows Server 2003 x64 running Terminal

Services with Citrix Presentation Server 4.0 x64, 4.5 x64

## Linux Operating Systems Supported

Linpus Linux Desktop 9.2, 9.3, Red Hat Enterprise Linux

WS 3.0, 4.0, 5.0, SUSE Linux Enterprise Server 8.0,

9.0, 10.0, SUSE Linux Enterprise Desktop 10, openSUSE

10.2, 10.3, 11.0, Linspire Linux 6.0, Debian GNU/Linux

4.0, Red Flag Linux Desktop 5.0, 6.0, Ubuntu 7.10,

Ubuntu 8.04 LTS

## Microsoft Windows Operating Systems Supported

2000, XP, Server 2003, XP x64, Server 2003 running

Terminal Services, 2000 Server running Terminal

Services, Server 2003 x64, Server 2003 x64 running

Terminal Services, Vista, Vista x64, Server 2008, Server

2008 x64, Server 2008 running Terminal Services, Server

2008 x64 running Terminal Services

## Novell Operating Systems Supported

Open Enterprise Server for Netware with NDS, iPrint

or Novell Distributed Print Services (NDPS), NetWare®

3.2, 4.2 (bindery), NetWare 4.2, 5.x and 6.x (NDS),

NetWare 5.x, 6.x with iPrint or Novell Distributed Print

Services (NDPS)

## UNIX Operating Systems Supported

Sun Solaris SPARC 8, 9, 10, Sun Solaris x86 10, HP-UX

11.11, 11.23, 11.31, IBM AIX 5.2, 5.3, 6.1

## Other Operating Systems Supported

IBM iSeries or IBM AS/400® Systems with TCP/IP

with OS/400® V3R1 or later using OS/400 Host Print

Transform, Virtually any platform supporting TCP/IP

## Paper Handling Standard

100-Sheet Multipurpose Feeder, 250-Sheet Input Tray,

350-Sheet Output Bin

## Paper Handling Optional

1,850-Sheet High-Capacity Output Stacker, 200-Sheet

Universally Adjustable Tray with Drawer, 400-Sheet

Universally Adjustable Tray with Drawer, 5-Bin Mailbox,

550-Sheet Drawer, Envelope Feeder, 250-Sheet Drawer,

250-Sheet Duplex Unit, Optional furniture required.,

2,000-Sheet High-Capacity Feeder, 550-Sheet Output

Expander, StapleSmart II Finisher

## Paper Input Capacity, Standard: Up to

350 pages 20 lb or 75 gsm bond

## Paper Input Capacity, Maximum: Up to

4000 pages 20 lb or 75 gsm bond

## Paper Output Capacity, Standard: Up to

350 pages 20 lb or 75 gsm bond

## Paper Output Capacity, Maximum: Up to

2750 pages 20 lb or 75 gsm bond

## Finishing Option

Yes

## Number of Paper Inputs, Standard

2

## Number of Paper Inputs, Maximum

6

## Media Types Supported

Card Stock, Dual Web Labels, Envelopes, Integrated

Labels, Paper Labels, Plain Paper, Polyester Labels,

Transparencies, Vinyl Labels, Refer to the Card Stock &

Label Guide

## Media Sizes Supported

10 Envelope, 7 3/4 Envelope, 9 Envelope, A4, A5, DL

Envelope, A6 Card, Executive, Folio, JIS-B5, Legal, Letter,

Statement, Universal

## Standard Ports

Ethernet 10/100BaseTX (RJ-45), One Internal Card Slot,

USB 2.0 Specification Hi-Speed Certified (Type B), Front

USB Port Compatible with USB 2.0 Specification (Type A)

## Optional Network Ports

Lexmark N4050e 802.11g Wireless Print Server (Print

Only), External MarkNet™ N7020e Gigabit Ethernet,

Internal MarkNet™ N8120 Gigabit Ethernet, Internal

MarkNet™ N8130 Fiber Fast Ethernet, Internal

MarkNet™ N8150 802.11b/g/n Wireless

## Network Printing Methods

LPR/LPD, Direct IP (Port 9100), Socket (Raw TCP/IP),

HTTP, NDS Queue-based Printing, NDPS/NEPS (Novell

Distributed Print Services, Novell Netware Enterprise Print

Services), Enhanced IP (Port 9400), FTP, TFTP, IPP 1.1

(Internet Printing Protocol), ThinPrint .print integration

## Network Protocol Support

TCP/IP IPv4, IPX/SPX, AppleTalk™, LexLink (DLC), TCP/IP

IPv6, TCP, UDP

## Network Security

SNMPv3, 802.1x Authentication: MD5, MSCHAPv2, LEAP,

PEAP, TLS, TTLS, IPsec

## Printable Area

0.167 inches of the top, bottom, right and left edges

(within)

## Printer Languages (Standard)

PCL 5e Emulation, PCL 6 Emulation, Personal Printer

Data Stream (PPDS), PostScript 3 Emulation, xHTML,

PDF 1.6, Direct Image, Microsoft XPS (XML Paper

Specification)

## Supplies Yield

25,000\*-page High Yield Print Cartridge, \*Average

standard page yield value declared in accordance with

ISO/IEC 19752. 7,000\*-page Print Cartridge

## Cartridge(s) Shipping with Product

7,000\*-page Return Program Print Cartridge

## Packaged Size (in. - H x W x D)

18.7 x 23.23 x 20.47 in.

## Size (in. - H x W x D)

13.7 x 16.7 x 19.4 in.

## Weight (lb.)

40.6 lb.

## Noise Level, Idle

26 dBA

## Print Noise Level, Operating

53 dBA

## Product Warranty

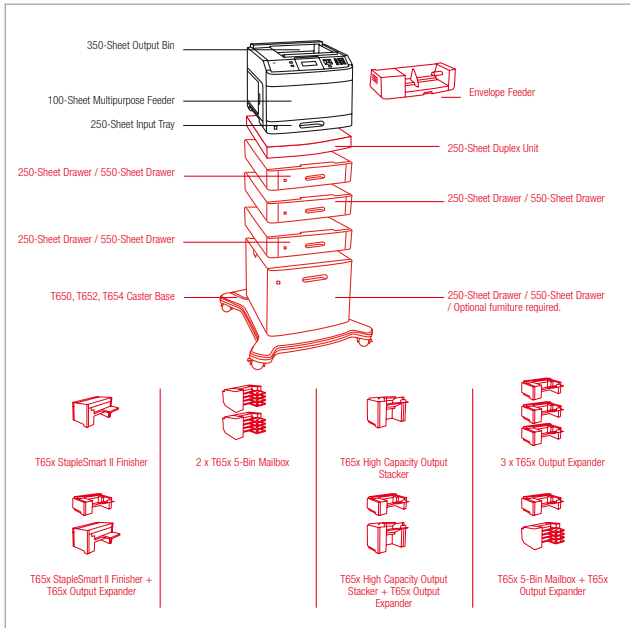
1-Year Exchange Service, Next Business Day

## Maximum Monthly Duty Cycle

Up to 200,000 pages per month

## Recommended Monthly Page Volume

3,000 - 20,000 pages



Paper Handling Standard  
 Paper Handling Optional

|               |   |
|---------------|---|
| <b>Part #</b> | <b>Model</b>  |
| 30G0100       | Lexmark T650n   |
| <b>Part #</b> | <b>Laser Toner/Print Cartridge</b>                                    |
| T650H11A      | T65x High Yield Return Program Print Cartridge                        |
| T650A11A      | T65x Return Program Print Cartridge                                   |
| T650H04A      | T65x High Yield Return Program Print Cartridge for Label Applications |
| T650H21A      | T65x High Yield Print Cartridge                                       |
| T650A21A      | T65x Print Cartridge  |
| 25A0013       | Staple Cartridges (3 pack)  |
| <b>Part #</b> | <b>Paper &amp; Transparencies</b>                                     |
| 70X7240       | Laser Printer Transparencies (Letter)                                 |
| <b>Part #</b> | <b>Paper Handling</b>   |
| 30G0806       | T650 250-Sheet Duplex Unit  |
| 30G0804       | 2000-Sheet High Capacity Feeder                                       |
| 30G0854       | 5 inch (12.7 cm) Spacer   |
| 30G0802       | 550-Sheet Drawer  |
| 30G0800       | 250-Sheet Drawer  |
| 30G0853       | T65x High Capacity Output Stacker                                     |
| 30G0851       | T65x Output Expander  |
| 30G0852       | T65x 5-Bin Mailbox  |
| 30G0807       | Envelope Feeder   |
| 30G0860       | 400-Sheet Universally Adjustable Tray with Drawer                     |
| 30G0880       | T65x Kiosk Presenter  |
| 30G0850       | T65x StapleSmart II Finisher  |
| 30G0871       | 200-Sheet Universally Adjustable Tray with Drawer                     |
| 30G0849       | 550-Sheet Lockable Drawer   |
| 30G0836       | 200-Sheet Lockable Universally Adjustable Tray with Drawer            |
| 30G0859       | 400-Sheet Lockable Universally Adjustable Tray with Drawer            |
| <b>Part #</b> | <b>Furniture</b>  |
| 16M1207       | T650, T652, T654 Caster Base  |
| <b>Part #</b> | <b>Memory Options</b>   |
| 1022298       | 128MB DDR1-DRAM   |
| 1022299       | 256MB DDR1-DRAM   |
| 1022301       | 512MB DDR1-DRAM   |
| 14F0245       | 256MB Flash Card  |
| 14F0102       | 80+GB Hard Disk   |
| 30G0828       | Japanese Font Card  |
| 30G0825       | Korean Font Card  |
| 30G0826       | Simplified Chinese Font Card  |
| 30G0827       | Traditional Chinese Font Card   |
| <b>Part #</b> | <b>Application Solutions</b>  |
| 30G0829       | Lexmark PrintCryption Card  |
| 30G0830       | T650, T652 Forms and Bar Code Card                                    |
| 30G0831       | T650, T652 Card for IPDS/SCS/TNE                                      |

|               |   |
|---------------|---|
| <b>Part #</b> | <b>Connectivity</b>   |
| 1021294       | USB Cable (2-meter)   |
| 14F0000       | Parallel 1284-B Interface Card                                |
| 1021231       | Parallel Cable (10-foot)                                      |
| 14F0100       | RS-232C Serial Interface Card                                 |
| 14F0037       | MarkNet N8120 Gigabit Ethernet Print Server                   |
| 14F0042       | MarkNet N8130 Fiber Ethernet 100BaseFX, 10BaseFL Print Server |
| 14F0040       | MarkNet N8150 802.11b/g/n Wireless Print Server               |
| 14T0145       | Lexmark N4050e 802.11g Wireless Print Server                  |
| 14T0220       | MarkNet™ N7020e Gigabit Ethernet Print Server                 |
| <b>Part #</b> | <b>Extended Warranties</b>                                    |
| 2350293       | 2-Years Total Exchange Service, Next Business Day             |
| 2350294       | 3-Years Total Exchange Service, Next Business Day             |
| 2350295       | 4-Years Total Exchange Service, Next Business Day             |
| 2350296       | 5-Years Total Exchange Service, Next Business Day             |
| 2350297       | 1-Year Exchange Service Renewal, Next Business Day            |
| 2350301       | Upgrade to Onsite Service, Next Business Day                  |
| 2350302       | 2-Years Total Onsite Service, Next Business Day               |
| 2350303       | 3-Years Total Onsite Service, Next Business Day               |
| 2350304       | 4-Years Total Onsite Service, Next Business Day               |
| 2350305       | 5-Years Total Onsite Service, Next Business Day               |
| 2350306       | 1-Year Onsite Service Renewal, Next Business Day              |
| <b>Part #</b> | <b>User Replaceable Parts</b>                                 |
| 40X4724       | T65x, X654e, X656e, X658e Fuser Maintenance Kit 110-120V      |
| 40X5852       | Dual Charge Roll Assembly                                     |
| 40X1886       | Transfer Roll Assembly  |
| 40X2665       | Oil Fuser Wiper   |
| 40X2666       | Wax Fuser Wiper   |
| 40X4308       | Pick Roll Assembly  |



# Lexmark T650dn

Great value and duplex printing for your performance-seeking business

## Print Technology

Monochrome Laser

## Print Speed (Letter, Black)

Up to 45 ppm

## Print Speed (Letter, Black) Duplex

Up to 36 ppm

## Time to First Page (Black)

As fast as 7.5 seconds

## Print Resolution, Black

1200 Image Quality, 1200 x 1200 dpi, 2400 Image Quality, 600 x 600 dpi

## Processor

500 MHz

## Memory, Standard

128 MB

## Memory, Maximum

640 MB

## Expandable Memory Options

Yes

## Apple Macintosh Operating Systems Supported

Mac OS X, Mac OS 9.2

## Citrix MetaFrame

Microsoft Windows 2000 Server running Terminal Services with Citrix Presentation Server 3.0, 4.0, Microsoft Windows Server 2003 running Terminal Services with Citrix Presentation Server 3.0, 4.0, 4.5, Microsoft Windows Server 2003 x64 running Terminal Services with Citrix Presentation Server 4.0 x64, 4.5 x64

## Linux Operating Systems Supported

Linpus Linux Desktop 9.2, 9.3, Red Hat Enterprise Linux WS 3.0, 4.0, 5.0, SUSE Linux Enterprise Server 8.0, 9.0, 10.0, SUSE Linux Enterprise Desktop 10, openSUSE 10.2, 10.3, 11.0, Linspire Linux 6.0, Debian GNU/Linux 4.0, Red Flag Linux Desktop 5.0, 6.0, Ubuntu 7.10, Ubuntu 8.04 LTS

## Microsoft Windows Operating Systems Supported

2000, XP, Server 2003, XP x64, Server 2003 running Terminal Services, 2000 Server running Terminal Services, Server 2003 x64, Server 2003 x64 running Terminal Services, Vista, Vista x64, Server 2008, Server 2008 x64, Server 2008 running Terminal Services, Server 2008 x64 running Terminal Services

## Novell Operating Systems Supported

Open Enterprise Server for Netware with NDS, iPrint or Novell Distributed Print Services (NDPS), NetWare® 3.2, 4.2 (bindery), NetWare 4.2, 5.x and 6.x (NDS), NetWare 5.x, 6.x with iPrint or Novell Distributed Print Services (NDPS)

## UNIX Operating Systems Supported

Sun Solaris SPARC 8, 9, 10, Sun Solaris x86 10, HP-UX 11.11, 11.23, 11.31, IBM AIX 5.2, 5.3, 6.1

## Other Operating Systems Supported

IBM iSeries or IBM AS/400® Systems with TCP/IP with OS/400® V3R1 or later using OS/400 Host Print Transform, Virtually any platform supporting TCP/IP

## Paper Handling Standard

250-Sheet Duplex Unit, 100-Sheet Multipurpose Feeder, 250-Sheet Input Tray, 350-Sheet Output Bin

## Paper Handling Optional

1,850-Sheet High-Capacity Output Stacker, 200-Sheet Universally Adjustable Tray with Drawer, 400-Sheet Universally Adjustable Tray with Drawer, 5-Bin Mailbox, 550-Sheet Drawer, Envelope Feeder, 250-Sheet Drawer, Optional furniture required, 2,000-Sheet High-Capacity Feeder, 550-Sheet Output Expander, StapleSmart II Finisher

## Paper Input Capacity, Standard: Up to

350 pages 20 lb or 75 gsm bond

## Paper Input Capacity, Maximum: Up to

4000 pages 20 lb or 75 gsm bond

## Paper Output Capacity, Standard: Up to

350 pages 20 lb or 75 gsm bond

## Paper Output Capacity, Maximum: Up to

2750 pages 20 lb or 75 gsm bond

## Finishing Option

Yes

## Number of Paper Inputs, Standard

2

## Number of Paper Inputs, Maximum

6

## Media Types Supported

Card Stock, Dual Web Labels, Envelopes, Integrated Labels, Paper Labels, Plain Paper, Polyester Labels, Transparencies, Vinyl Labels, Refer to the Card Stock & Label Guide

## Media Sizes Supported

10 Envelope, 7 3/4 Envelope, 9 Envelope, A4, A5, DL Envelope, Executive, Folio, JIS-B5, Legal, Letter, Statement, Universal, A6

## Standard Ports

Ethernet 10/100BaseTX (RJ-45), One Internal Card Slot, USB 2.0 Specification Hi-Speed Certified (Type B), Front USB Port Compatible with USB 2.0 Specification (Type A)

## Optional Network Ports

Lexmark N4050e 802.11g Wireless Print Server (Print Only), External MarkNet™ N7020e Gigabit Ethernet, Internal MarkNet™ N8120 Gigabit Ethernet, Internal MarkNet™ N8130 Fiber Fast Ethernet, Internal MarkNet™ N8150 802.11b/g/n Wireless

## Network Printing Methods

LPR/LPD, Direct IP (Port 9100), Socket (Raw TCP/IP), HTTP, NDS Queue-based Printing, NDPS/NEPS (Novell Distributed Print Services, Novell Netware Enterprise Print Services), Enhanced IP (Port 9400), FTP, TFTP, IPP 1.1 (Internet Printing Protocol), ThinPrint .print integration

## Network Protocol Support

TCP/IP IPv4, IPX/SPX, AppleTalk™, LexLink (DLC), TCP/IP IPv6, TCP, UDP

## Network Security

SNMPv3, 802.1x Authentication: MDS, MSCHAPv2, LEAP, PEAP, TLS, TTLS, IPsec

## Printable Area

0.167 inches of the top, bottom, right and left edges (within)

## Printer Languages (Standard)

PCL 5e Emulation, PCL 6 Emulation, Personal Printer Data Stream (PPDS), PostScript 3 Emulation, xHTML, PDF 1.6, Direct Image, Microsoft XPS (XML Paper Specification)

## Supplies Yield

25,000\*-page High Yield Print Cartridge, \*Average standard page yield value declared in accordance with ISO/IEC 19752., 7,000\*-page Print Cartridge

## Cartridge(s) Shipping with Product

7,000\*-page Return Program Print Cartridge

## Packaged Size (in. - H x W x D)

11.6 x 27.36 x 21.06 in.

## Size (in. - H x W x D)

15.8 x 16.7 x 25.2 in.

## Weight (lb.)

51.6 lb.

## Noise Level, Idle

26 dBA

## Print Noise Level, Operating

53 dBA

## Product Warranty

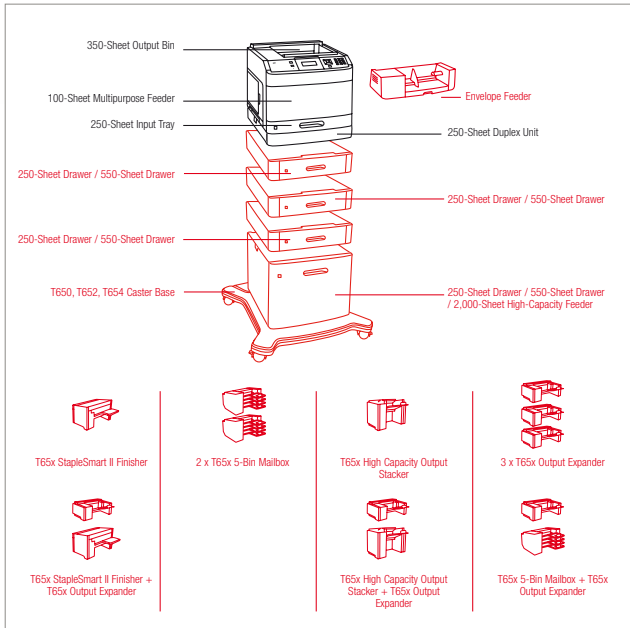
1-Year Exchange Service, Next Business Day

## Maximum Monthly Duty Cycle

Up to 200,000 pages per month

## Recommended Monthly Page Volume

3,000 - 20,000 pages



Paper Handling Standard  
 Paper Handling Optional

|               |   |
|---------------|---|
| <b>Part #</b> | <b>Model</b>  |
| 30G0106       | Lexmark T650dn  |
| <b>Part #</b> | <b>Laser Toner/Print Cartridge</b>                                    |
| T650H11A      | T65x High Yield Return Program Print Cartridge                        |
| T650A11A      | T65x Return Program Print Cartridge                                   |
| T650H04A      | T65x High Yield Return Program Print Cartridge for Label Applications |
| T650H21A      | T65x High Yield Print Cartridge                                       |
| T650A21A      | T65x Print Cartridge  |
| 25A0013       | Staple Cartridges (3 pack)  |
| <b>Part #</b> | <b>Paper &amp; Transparencies</b>                                     |
| 70X7240       | Laser Printer Transparencies (Letter)                                 |
| <b>Part #</b> | <b>Paper Handling</b>   |
| 30G0804       | 2000-Sheet High Capacity Feeder                                       |
| 30G0802       | 550-Sheet Drawer  |
| 30G0854       | 5 inch (12.7 cm) Spacer   |
| 30G0800       | 250-Sheet Drawer  |
| 30G0853       | T65x High Capacity Output Stacker                                     |
| 30G0851       | T65x Output Expander  |
| 30G0852       | T65x 5-Bin Mailbox  |
| 30G0807       | Envelope Feeder   |
| 30G0860       | 400-Sheet Universally Adjustable Tray with Drawer                     |
| 30G0880       | T65x Kiosk Presenter  |
| 30G0850       | T65x StapleSmart II Finisher  |
| 30G0871       | 200-Sheet Universally Adjustable Tray with Drawer                     |
| 30G0849       | 550-Sheet Lockable Drawer   |
| 30G0836       | 200-Sheet Lockable Universally Adjustable Tray with Drawer            |
| 30G0859       | 400-Sheet Lockable Universally Adjustable Tray with Drawer            |
| <b>Part #</b> | <b>Furniture</b>  |
| 16M1207       | T650, T652, T654 Caster Base  |
| <b>Part #</b> | <b>Memory Options</b>   |
| 1022298       | 128MB DDR1-DRAM   |
| 1022299       | 256MB DDR1-DRAM   |
| 1022301       | 512MB DDR1-DRAM   |
| 14F0245       | 256MB Flash Card  |
| 14F0102       | 80+GB Hard Disk   |
| 30G0828       | Japanese Font Card  |
| 30G0825       | Korean Font Card  |
| 30G0826       | Simplified Chinese Font Card  |
| 30G0827       | Traditional Chinese Font Card   |
| <b>Part #</b> | <b>Application Solutions</b>  |
| 30G0829       | Lexmark PrintCryption Card  |
| 30G0830       | T650, T652 Forms and Bar Code Card                                    |
| 30G0831       | T650, T652 Card for IPDS/SCS/TNE                                      |
| <b>Part #</b> | <b>Connectivity</b>   |
| 1021294       | USB Cable (2-meter)   |

|         |   |
|---------|---|
| 14F0000 | Parallel 1284-B Interface Card                                |
| 1021231 | Parallel Cable (10-foot)                                      |
| 14F0100 | RS-232C Serial Interface Card                                 |
| 14F0037 | MarkNet N8120 Gigabit Ethernet Print Server                   |
| 14F0042 | MarkNet N8130 Fiber Ethernet 100BaseFX, 10BaseFL Print Server |
| 14F0040 | MarkNet N8150 802.11b/g/n Wireless Print Server               |
| 14T0145 | Lexmark N4050e 802.11g Wireless Print Server                  |
| 14T0220 | MarkNet™ N7020e Gigabit Ethernet Print Server                 |

**Part # Extended Warranties**

|         |  |
|---------|--|
| 2350293 | 2-Years Total Exchange Service, Next Business Day  |
| 2350294 | 3-Years Total Exchange Service, Next Business Day  |
| 2350295 | 4-Years Total Exchange Service, Next Business Day  |
| 2350296 | 5-Years Total Exchange Service, Next Business Day  |
| 2350297 | 1-Year Exchange Service Renewal, Next Business Day |
| 2350301 | Upgrade to Onsite Service, Next Business Day       |
| 2350302 | 2-Years Total Onsite Service, Next Business Day    |
| 2350303 | 3-Years Total Onsite Service, Next Business Day    |
| 2350304 | 4-Years Total Onsite Service, Next Business Day    |
| 2350305 | 5-Years Total Onsite Service, Next Business Day    |
| 2350306 | 1-Year Onsite Service Renewal, Next Business Day   |

**Part # User Replaceable Parts**

|         |  |
|---------|--|
| 40X4724 | T65x, X654e, X656e, X658e Fuser Maintenance Kit 110-120V |
| 40X5852 | Dual Charge Roll Assembly                                |
| 40X1886 | Transfer Roll Assembly                                   |
| 40X2665 | Oil Fuser Wiper  |
| 40X2666 | Wax Fuser Wiper  |
| 40X4308 | Pick Roll Assembly                                       |



# Lexmark T650dtn

Duplex printing and extra input drawer for your performance-seeking business

## Print Technology

Monochrome Laser

## Print Speed (Letter, Black)

Up to 45 ppm

## Print Speed (Letter, Black) Duplex

Up to 36 ppm

## Time to First Page (Black)

As fast as 7.5 seconds

## Print Resolution, Black

1200 Image Quality, 1200 x 1200 dpi, 2400 Image Quality, 600 x 600 dpi

## Processor

500 MHz

## Memory, Standard

128 MB

## Memory, Maximum

640 MB

## Expandable Memory Options

Yes

## Apple Macintosh Operating Systems Supported

Mac OS X, Mac OS 9.2

## Citrix MetaFrame

Microsoft Windows 2000 Server running Terminal Services with Citrix Presentation Server 3.0, 4.0, Microsoft Windows Server 2003 running Terminal Services with Citrix Presentation Server 3.0, 4.0, 4.5, Microsoft Windows Server 2003 x64 running Terminal Services with Citrix Presentation Server 4.0 x64, 4.5 x64

## Linux Operating Systems Supported

Linpus Linux Desktop 9.2, 9.3, Red Hat Enterprise Linux WS 3.0, 4.0, 5.0, SUSE Linux Enterprise Server 8.0, 9.0, 10.0, SUSE Linux Enterprise Desktop 10, openSUSE 10.2, 10.3, 11.0, Linspire Linux 6.0, Debian GNU/Linux 4.0, Red Flag Linux Desktop 5.0, 6.0, Ubuntu 7.10, Ubuntu 8.04 LTS

## Microsoft Windows Operating Systems Supported

2000, XP, Server 2003, XP x64, Server 2003 running Terminal Services, 2000 Server running Terminal Services, Server 2003 x64, Server 2003 x64 running Terminal Services, Vista, Vista x64, Server 2008, Server 2008 x64, Server 2008 running Terminal Services, Server 2008 x64 running Terminal Services

## Novell Operating Systems Supported

Open Enterprise Server for Netware with NDS, iPrint or Novell Distributed Print Services (NDPS), NetWare® 3.2, 4.2 (bindery), NetWare 4.2, 5.x and 6.x (NDS), NetWare 5.x, 6.x with iPrint or Novell Distributed Print Services (NDPS)

## UNIX Operating Systems Supported

Sun Solaris SPARC 8, 9, 10, Sun Solaris x86 10, HP-UX 11.11, 11.23, 11.31, IBM AIX 5.2, 5.3, 6.1

## Other Operating Systems Supported

IBM iSeries or IBM AS/400® Systems with TCP/IP with OS/400® V3R1 or later using OS/400 Host Print Transform, Virtually any platform supporting TCP/IP

## Paper Handling Standard

250-Sheet Duplex Unit, 100-Sheet Multipurpose Feeder, 250-Sheet Input Tray, 550-Sheet Drawer, 350-Sheet Output Bin

## Paper Handling Optional

1,850-Sheet High-Capacity Output Stacker, 200-Sheet Universally Adjustable Tray with Drawer, 400-Sheet Universally Adjustable Tray with Drawer, 5-Bin Mailbox, 550-Sheet Drawer, Envelope Feeder, 250-Sheet Drawer, Optional furniture required., 2,000-Sheet High-Capacity Feeder, 550-Sheet Output Expander, StapleSmart II Finisher

## Paper Input Capacity, Standard: Up to

900 pages 20 lb or 75 gsm bond

## Paper Input Capacity, Maximum: Up to

4000 pages 20 lb or 75 gsm bond

## Paper Output Capacity, Standard: Up to

350 pages 20 lb or 75 gsm bond

## Paper Output Capacity, Maximum: Up to

2750 pages 20 lb or 75 gsm bond

## Finishing Option

Yes

## Number of Paper Inputs, Standard

3

## Number of Paper Inputs, Maximum

6

## Media Types Supported

Card Stock, Dual Web Labels, Envelopes, Integrated Labels, Paper Labels, Plain Paper, Polyester Labels, Transparencies, Vinyl Labels, Refer to the Card Stock & Label Guide

## Media Sizes Supported

10 Envelope, 7 3/4 Envelope, 9 Envelope, A4, A5, DL Envelope, A6 Card, Executive, Folio, JIS-B5, Legal, Letter, Statement, Universal

## Standard Ports

Ethernet 10/100BaseTX (RJ-45), One Internal Card Slot, USB 2.0 Specification Hi-Speed Certified (Type B), Front USB Port Compatible with USB 2.0 Specification (Type A)

## Optional Network Ports

Lexmark N4050e 802.11g Wireless Print Server (Print Only), External MarkNet™ N7020e Gigabit Ethernet, Internal MarkNet™ N8120 Gigabit Ethernet, Internal MarkNet™ N8130 Fiber Fast Ethernet, Internal MarkNet™ N8150 802.11b/g/n Wireless

## Network Printing Methods

LPR/LPD, Direct IP (Port 9100), Socket (Raw TCP/IP), HTTP, NDS Queue-based Printing, NDPS/NEPS (Novell Distributed Print Services, Novell Netware Enterprise Print Services), Enhanced IP (Port 9400), FTP, TFTP, IPP 1.1 (Internet Printing Protocol), ThinPrint .print integration

## Network Protocol Support

TCP/IP IPv4, IPX/SPX, AppleTalk™, LexLink (DLC), TCP/IP IPv6, TCP, UDP

## Network Security

SNMPv3, 802.1x Authentication: MD5, MSCHAPv2, LEAP,

PEAP, TLS, TTLS, IPSec

## Printable Area

0.167 inches of the top, bottom, right and left edges (within)

## Printer Languages (Standard)

PCL 5e Emulation, PCL 6 Emulation, Personal Printer Data Stream (PPDS), PostScript 3 Emulation, xHTML, PDF 1.6, Direct Image, Microsoft XPS (XML Paper Specification)

## Supplies Yield

25,000\*-page High Yield Print Cartridge, \*Average standard page yield value declared in accordance with ISO/IEC 19752., 7,000\*-page Print Cartridge

## Cartridge(s) Shipping with Product

7,000\*-page Return Program Print Cartridge

## Packaged Size (in. - H x W x D)

30.31 x 37.01 x 21.06 in.

## Size (in. - H x W x D)

21 x 16.7 x 25.2 in.

## Weight (lb.)

60.7 lb.

## Noise Level, Idle

26 dBA

## Print Noise Level, Operating

53 dBA

## Product Warranty

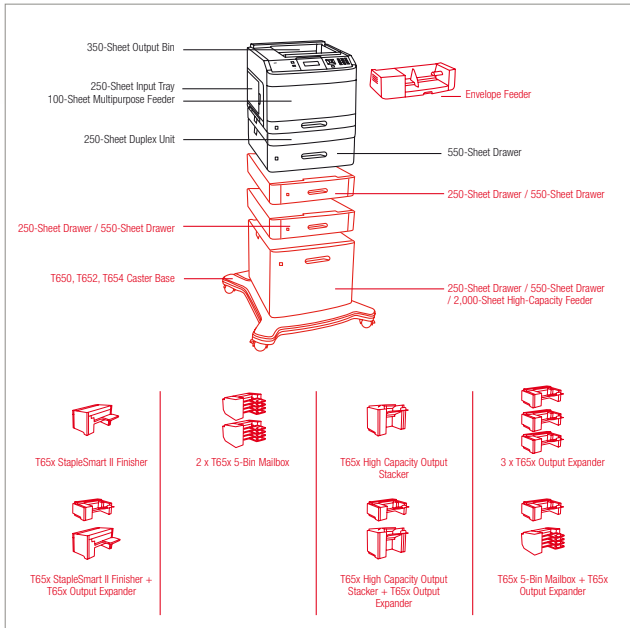
1-Year Exchange Service, Next Business Day

## Maximum Monthly Duty Cycle

Up to 200,000 pages per month

## Recommended Monthly Page Volume

3,000 - 20,000 pages



Paper Handling Standard  
 Paper Handling Optional

|               |   |
|---------------|---|
| <b>Part #</b> | <b>Model</b>  |
| 30G0107       | Lexmark T650dtn   |
| <b>Part #</b> | <b>Laser Toner/Print Cartridge</b>                                    |
| T650H11A      | T65x High Yield Return Program Print Cartridge                        |
| T650A11A      | T65x Return Program Print Cartridge                                   |
| T650H04A      | T65x High Yield Return Program Print Cartridge for Label Applications |
| T650H21A      | T65x High Yield Print Cartridge                                       |
| T650A21A      | T65x Print Cartridge  |
| 25A0013       | Staple Cartridges (3 pack)  |
| <b>Part #</b> | <b>Paper &amp; Transparencies</b>                                     |
| 70X7240       | Laser Printer Transparencies (Letter)                                 |
| <b>Part #</b> | <b>Paper Handling</b>   |
| 30G0804       | 2000-Sheet High Capacity Feeder                                       |
| 30G0802       | 550-Sheet Drawer  |
| 30G0854       | 5 inch (12.7 cm) Spacer   |
| 30G0800       | 250-Sheet Drawer  |
| 30G0853       | T65x High Capacity Output Stacker                                     |
| 30G0851       | T65x Output Expander  |
| 30G0852       | T65x 5-Bin Mailbox  |
| 30G0807       | Envelope Feeder   |
| 30G0860       | 400-Sheet Universally Adjustable Tray with Drawer                     |
| 30G0880       | T65x Kiosk Presenter  |
| 30G0850       | T65x StapleSmart II Finisher  |
| 30G0871       | 200-Sheet Universally Adjustable Tray with Drawer                     |
| 30G0849       | 550-Sheet Lockable Drawer   |
| 30G0836       | 200-Sheet Lockable Universally Adjustable Tray with Drawer            |
| 30G0859       | 400-Sheet Lockable Universally Adjustable Tray with Drawer            |
| <b>Part #</b> | <b>Furniture</b>  |
| 16M1207       | T650, T652, T654 Caster Base  |
| <b>Part #</b> | <b>Memory Options</b>   |
| 1022298       | 128MB DDR1-DRAM   |
| 1022299       | 256MB DDR1-DRAM   |
| 1022301       | 512MB DDR1-DRAM   |
| 14F0245       | 256MB Flash Card  |
| 14F0102       | 80+GB Hard Disk   |
| 30G0828       | Japanese Font Card  |
| 30G0825       | Korean Font Card  |
| 30G0826       | Simplified Chinese Font Card  |
| 30G0827       | Traditional Chinese Font Card   |
| <b>Part #</b> | <b>Application Solutions</b>  |
| 30G0829       | Lexmark PrintCryption Card  |
| 30G0830       | T650, T652 Forms and Bar Code Card                                    |
| 30G0831       | T650, T652 Card for IPDS/SCS/TNE                                      |
| <b>Part #</b> | <b>Connectivity</b>   |
| 1021294       | USB Cable (2-meter)   |

|         |   |
|---------|---|
| 14F0000 | Parallel 1284-B Interface Card                      |
| 1021231 | Parallel Cable (10-foot)                            |
| 14F0100 | RS-232C Serial Interface Card                       |
| 14F0037 | MarkNet N8120 Gigabit Ethernet Print Server         |
| 14F0042 | MarkNet N8120 Fiber Ethernet 100BaseFL Print Server |
| 14F0040 | MarkNet N8150 802.11b/g/n Wireless Print Server     |
| 14T0145 | Lexmark N4050e 802.11g Wireless Print Server        |
| 14T0220 | MarkNet™ N7020e Gigabit Ethernet Print Server       |

**Part # Extended Warranties**

|         |  |
|---------|--|
| 2350293 | 2-Years Total Exchange Service, Next Business Day  |
| 2350294 | 3-Years Total Exchange Service, Next Business Day  |
| 2350295 | 4-Years Total Exchange Service, Next Business Day  |
| 2350296 | 5-Years Total Exchange Service, Next Business Day  |
| 2350297 | 1-Year Exchange Service Renewal, Next Business Day |
| 2350301 | Upgrade to Onsite Service, Next Business Day       |
| 2350302 | 2-Years Total Onsite Service, Next Business Day    |
| 2350303 | 3-Years Total Onsite Service, Next Business Day    |
| 2350304 | 4-Years Total Onsite Service, Next Business Day    |
| 2350305 | 5-Years Total Onsite Service, Next Business Day    |
| 2350306 | 1-Year Onsite Service Renewal, Next Business Day   |

**Part # User Replaceable Parts**

|         |  |
|---------|--|
| 40X4724 | T65x, X654e, X656e, X658e Fuser Maintenance Kit 110-120V |
| 40X5852 | Dual Charge Roll Assembly                                |
| 40X1886 | Transfer Roll Assembly                                   |
| 40X2665 | Oil Fuser Wiper  |
| 40X2666 | Wax Fuser Wiper  |
| 40X4308 | Pick Roll Assembly                                       |



# Lexmark T652n

Ultra-fast, versatile monochrome printing for busy workgroups

## Print Technology

Monochrome Laser

## Print Speed (Letter, Black)

Up to 50 ppm

## Time to First Page (Black)

As fast as 7.5 seconds

## Print Resolution, Black

1200 Image Quality, 1200 x 1200 dpi, 2400 Image

Quality, 600 x 600 dpi

## Processor

500 Mhz

## Memory, Standard

128 MB

## Memory, Maximum

640 MB

## Expandable Memory Options

Yes

## Apple Macintosh Operating Systems Supported

Mac OS X, Mac OS 9.2

## Citrix MetaFrame

Microsoft Windows 2000 Server running Terminal

Services with Citrix Presentation Server 3.0, 4.0,

Microsoft Windows Server 2003 running Terminal

Services with Citrix Presentation Server 3.0, 4.0, 4.5,

Microsoft Windows Server 2003 x64 running Terminal

Services with Citrix Presentation Server 4.0 x64, 4.5 x64

## Linux Operating Systems Supported

Linpus Linux Desktop 9.2, 9.3, Red Hat Enterprise Linux

WS 3.0, 4.0, 5.0, SUSE Linux Enterprise Server 8.0,

9.0, 10.0, SUSE Linux Enterprise Desktop 10, openSUSE

10.2, 10.3, 11.0, Linspire Linux 6.0, Debian GNU/Linux

4.0, Red Flag Linux Desktop 5.0, 6.0, Ubuntu 7.10,

Ubuntu 8.04 LTS

## Microsoft Windows Operating Systems Supported

2000, XP, Server 2003, XP x64, Server 2003 running

Terminal Services, 2000 Server running Terminal

Services, Server 2003 x64, Server 2003 x64 running

Terminal Services, Vista, Vista x64, Server 2008, Server

2008 x64, Server 2008 running Terminal Services, Server

2008 x64 running Terminal Services

## Novell Operating Systems Supported

Open Enterprise Server for Netware with NDS, iPrint

or Novell Distributed Print Services (NDPS), NetWare®

3.2, 4.2 (bindery), NetWare 4.2, 5.x and 6.x (NDS),

NetWare 5.x, 6.x with iPrint or Novell Distributed Print

Services (NDPS)

## UNIX Operating Systems Supported

Sun Solaris SPARC 8, 9, 10, Sun Solaris x86 10, HP-UX

11.11, 11.23, 11.31, IBM AIX 5.2, 5.3, 6.1

## Other Operating Systems Supported

IBM iSeries or IBM AS/400® Systems with TCP/IP

with OS/400® V3R1 or later using OS/400 Host Print

Transform, Virtually any platform supporting TCP/IP

## Paper Handling Standard

100-Sheet Multipurpose Feeder, 550-Sheet Input Tray, 350-Sheet Output Bin

## Paper Handling Optional

1,850-Sheet High-Capacity Output Stacker, 200-Sheet

Universally Adjustable Tray with Drawer, 400-Sheet

Universally Adjustable Tray with Drawer, 5-Bin Mailbox,

550-Sheet Drawer, Envelope Feeder, 250-Sheet Drawer,

Optional furniture required., 2,000-Sheet High-Capacity

Feeder, 550-Sheet Output Expander, StapleSmart II

Finisher

## Paper Input Capacity, Standard: Up to

650 pages 20 lb or 75 gsm bond

## Paper Input Capacity, Maximum: Up to

4300 pages 20 lb or 75 gsm bond

## Paper Output Capacity, Standard: Up to

350 pages 20 lb or 75 gsm bond

## Paper Output Capacity, Maximum: Up to

2750 pages 20 lb or 75 gsm bond

## Finishing Option

Yes

## Number of Paper Inputs, Standard

2

## Number of Paper Inputs, Maximum

6

## Media Types Supported

Card Stock, Dual Web Labels, Envelopes, Integrated

Labels, Paper Labels, Plain Paper, Polyester Labels,

Transparencies, Vinyl Labels, Refer to the Card Stock &

Label Guide

## Media Sizes Supported

10 Envelope, 7 3/4 Envelope, 9 Envelope, A4, A5, DL

Envelope, A6 Card, Executive, Folio, JIS-B5, Legal, Letter,

Statement, Universal

## Standard Ports

Ethernet 10/100BaseTX (RJ-45), One Internal Card Slot,

USB 2.0 Specification Hi-Speed Certified (Type B), Front

USB Port Compatible with USB 2.0 Specification (Type A)

## Optional Network Ports

Lexmark N4050e 802.11g Wireless Print Server (Print

Only), External MarkNet™ N7020e Gigabit Ethernet,

Internal MarkNet™ N8120 Gigabit Ethernet, Internal

MarkNet™ N8130 Fiber Fast Ethernet, Internal

MarkNet™ N8150 802.11b/g/n Wireless

## Network Printing Methods

LPR/LPD, Direct IP (Port 9100), Socket (Raw TCP/IP),

HTTP, NDS Queue-based Printing, NDPS/NEPS (Novell

Distributed Print Services, Novell Netware Enterprise Print

Services), Enhanced IP (Port 9400), FTP, TFTP, IPP 1.1

(Internet Printing Protocol), ThinPrint .print integration

## Network Protocol Support

TCP/IP IPv4, IPX/SPX, AppleTalk™, LexLink (DLC), TCP/IP

IPv6, TCP, UDP

## Network Security

SNMPv3, 802.1x Authentication: MD5, MSCHAPv2, LEAP,

PEAP, TLS, TTLS, IPsec

## Printable Area

0.167 inches of the top, bottom, right and left edges (within)

## Printer Languages (Standard)

PCL 5e Emulation, PCL 6 Emulation, Personal Printer

Data Stream (PPDS), PostScript 3 Emulation, xHTML,

PDF 1.6, Direct Image, Microsoft XPS (XML Paper

Specification)

## Supplies Yield

25,000\*-page High Yield Print Cartridge, \*Average

standard page yield value declared in accordance with

ISO/IEC 19752., 7,000\*-page Print Cartridge

## Cartridge(s) Shipping with Product

10,000\*-page starter Return Program Print Cartridge

## Packaged Size (in. - H x W x D)

21.65 x 24.61 x 21.46 in.

## Size (in. - H x W x D)

16.8 x 16.7 x 20.1 in.

## Weight (lb.)

50.7 lb.

## Noise Level, Idle

30 dBA

## Print Noise Level, Operating

54 dBA

## Product Warranty

1-Year Exchange Service, Next Business Day

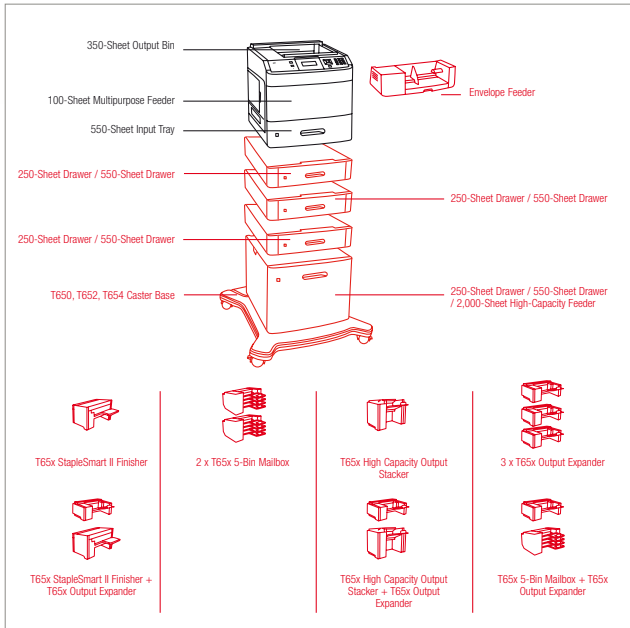
## Maximum Monthly Duty Cycle

Up to 225,000 pages per month

## Recommended Monthly Page Volume

3,000 - 30,000 pages





■ Paper Handling Standard  
 ■ Paper Handling Optional

|               |   |
|---------------|---|
| <b>Part #</b> | <b>Model</b>  |
| 30G0210       | Lexmark T652n   |
| <b>Part #</b> | <b>Laser Toner/Print Cartridge</b>                                    |
| T650H11A      | T65x High Yield Return Program Print Cartridge                        |
| T650A11A      | T65x Return Program Print Cartridge                                   |
| T650H04A      | T65x High Yield Return Program Print Cartridge for Label Applications |
| T650H21A      | T65x High Yield Print Cartridge                                       |
| T650A21A      | T65x Print Cartridge  |
| 25A0013       | Staple Cartridges (3 pack)  |
| <b>Part #</b> | <b>Paper &amp; Transparencies</b>                                     |
| 70X7240       | Laser Printer Transparencies (Letter)                                 |
| <b>Part #</b> | <b>Paper Handling</b>   |
| 30G0852       | T65x 5-Bin Mailbox  |
| 30G0804       | 2000-Sheet High Capacity Feeder                                       |
| 30G0854       | 5 inch (12.7 cm) Spacer   |
| 30G0802       | 550-Sheet Drawer  |
| 30G0800       | 250-Sheet Drawer  |
| 30G0807       | Envelope Feeder   |
| 30G0851       | T65x Output Expander  |
| 30G0853       | T65x High Capacity Output Stacker                                     |
| 30G0860       | 400-Sheet Universally Adjustable Tray with Drawer                     |
| 30G0880       | T65x Kiosk Presenter  |
| 30G0850       | T65x StapleSmart II Finisher  |
| 30G0871       | 200-Sheet Universally Adjustable Tray with Drawer                     |
| 30G0849       | 550-Sheet Lockable Drawer   |
| 30G0836       | 200-Sheet Lockable Universally Adjustable Tray with Drawer            |
| 30G0859       | 400-Sheet Lockable Universally Adjustable Tray with Drawer            |
| <b>Part #</b> | <b>Furniture</b>  |
| 16M1207       | T650, T652, T654 Caster Base  |
| <b>Part #</b> | <b>Memory Options</b>   |
| 1022298       | 128MB DDR1-DRAM   |
| 1022299       | 256MB DDR1-DRAM   |
| 1022301       | 512MB DDR1-DRAM   |
| 14F0245       | 256MB Flash Card  |
| 14F0102       | 80+GB Hard Disk   |
| 30G0828       | Japanese Font Card  |
| 30G0825       | Korean Font Card  |
| 30G0826       | Simplified Chinese Font Card  |
| 30G0827       | Traditional Chinese Font Card   |
| <b>Part #</b> | <b>Application Solutions</b>  |
| 30G0829       | Lexmark PrintCryption Card  |
| 30G0830       | T650, T652 Forms and Bar Code Card                                    |
| 30G0831       | T650, T652 Card for IPDS/SCS/TNE                                      |
| <b>Part #</b> | <b>Connectivity</b>   |
| 1021294       | USB Cable (2-meter)   |

|         |   |
|---------|---|
| 14F0000 | Parallel 1284-B Interface Card                                |
| 1021231 | Parallel Cable (10-foot)                                      |
| 14F0100 | RS-232C Serial Interface Card                                 |
| 14F0037 | MarkNet N8120 Gigabit Ethernet Print Server                   |
| 14F0042 | MarkNet N8130 Fiber Ethernet 100BaseFX, 10BaseFL Print Server |
| 14F0040 | MarkNet N8150 802.11b/g/n Wireless Print Server               |
| 14T0145 | Lexmark N4050e 802.11g Wireless Print Server                  |
| 14T0220 | MarkNet™ N7020e Gigabit Ethernet Print Server                 |

|               |  |
|---------------|--|
| <b>Part #</b> | <b>Extended Warranties</b>                         |
| 2350328       | 2-Years Total Exchange Service, Next Business Day  |
| 2350329       | 3-Years Total Exchange Service, Next Business Day  |
| 2350330       | 4-Years Total Exchange Service, Next Business Day  |
| 2350331       | 5-Years Total Exchange Service, Next Business Day  |
| 2350332       | 1-Year Exchange Service Renewal, Next Business Day |
| 2350336       | Upgrade to Onsite Service, Next Business Day       |
| 2350337       | 2-Years Total Onsite Service, Next Business Day    |
| 2350338       | 3-Years Total Onsite Service, Next Business Day    |
| 2350339       | 4-Years Total Onsite Service, Next Business Day    |
| 2350340       | 5-Years Total Onsite Service, Next Business Day    |
| 2350341       | 1-Year Onsite Service Renewal, Next Business Day   |

|               |  |
|---------------|--|
| <b>Part #</b> | <b>User Replaceable Parts</b>                            |
| 40X4724       | T65x, X654e, X656e, X658e Fuser Maintenance Kit 110-120V |
| 40X5852       | Dual Charge Roll Assembly                                |
| 40X1886       | Transfer Roll Assembly                                   |
| 40X2665       | Oil Fuser Wiper  |
| 40X2666       | Wax Fuser Wiper  |
| 40X4308       | Pick Roll Assembly                                       |



# Lexmark T652dn

Ultra-fast, versatile monochrome printer with integrated duplex for busy workgroups

## Print Technology

Monochrome Laser

## Print Speed (Letter, Black)

Up to 50 ppm

## Print Speed (Letter, Black) Duplex

Up to 34 spm

## Time to First Page (Black)

As fast as 7.5 seconds

## Print Resolution, Black

1200 Image Quality, 1200 x 1200 dpi, 2400 Image Quality, 600 x 600 dpi

## Processor

500 MHz

## Memory, Standard

128 MB

## Memory, Maximum

640 MB

## Expandable Memory Options

Yes

## Apple Macintosh Operating Systems Supported

Mac OS X, Mac OS 9.2

## Citrix MetaFrame

Microsoft Windows 2000 Server running Terminal Services with Citrix Presentation Server 3.0, 4.0, Microsoft Windows Server 2003 running Terminal Services with Citrix Presentation Server 3.0, 4.0, 4.5, Microsoft Windows Server 2003 x64 running Terminal Services with Citrix Presentation Server 4.0 x64, 4.5 x64

## Linux Operating Systems Supported

Linpus Linux Desktop 9.2, 9.3, Red Hat Enterprise Linux WS 3.0, 4.0, 5.0, SUSE Linux Enterprise Server 8.0, 9.0, 10.0, SUSE Linux Enterprise Desktop 10, openSUSE 10.2, 10.3, 11.0, Linspire Linux 6.0, Debian GNU/Linux 4.0, Red Flag Linux Desktop 5.0, 6.0, Ubuntu 7.10, Ubuntu 8.04 LTS

## Microsoft Windows Operating Systems Supported

2000, XP, Server 2003, XP x64, Server 2003 running Terminal Services, 2000 Server running Terminal Services, Server 2003 x64, Server 2003 x64 running Terminal Services, Vista, Vista x64, Server 2008, Server 2008 x64, Server 2008 running Terminal Services, Server 2008 x64 running Terminal Services

## Novell Operating Systems Supported

Open Enterprise Server for Netware with NDS, iPrint or Novell Distributed Print Services (NDPS), NetWare® 3.2, 4.2 (bindery), NetWare 4.2, 5.x and 6.x (NDS), NetWare 5.x, 6.x with iPrint or Novell Distributed Print Services (NDPS)

## UNIX Operating Systems Supported

Sun Solaris SPARC 8, 9, 10, Sun Solaris x86 10, HP-UX 11.11, 11.23, 11.31, IBM AIX 5.2, 5.3, 6.1

## Other Operating Systems Supported

IBM iSeries or IBM AS/400® Systems with TCP/IP with OS/400® V3R1 or later using OS/400 Host Print Transform, Virtually any platform supporting TCP/IP

## Paper Handling Standard

Integrated Duplex, 100-Sheet Multipurpose Feeder, 550-Sheet Input Tray, 350-Sheet Output Bin

## Paper Handling Optional

1,850-Sheet High-Capacity Output Stacker, 200-Sheet Universally Adjustable Tray with Drawer, 400-Sheet Universally Adjustable Tray with Drawer, 5-Bin Mailbox, 550-Sheet Drawer, Envelope Feeder, 250-Sheet Drawer, Optional furniture required, 2,000-Sheet High-Capacity Feeder, 550-Sheet Output Expander, StapleSmart II Finisher

## Paper Input Capacity, Standard: Up to

650 pages 20 lb or 75 gsm bond

## Paper Input Capacity, Maximum: Up to

4300 pages 20 lb or 75 gsm bond

## Paper Output Capacity, Standard: Up to

350 pages 20 lb or 75 gsm bond

## Paper Output Capacity, Maximum: Up to

2750 pages 20 lb or 75 gsm bond

## Finishing Option

Yes

## Number of Paper Inputs, Standard

2

## Number of Paper Inputs, Maximum

6

## Media Types Supported

Card Stock, Dual Web Labels, Envelopes, Integrated Labels, Paper Labels, Plain Paper, Polyester Labels, Transparencies, Vinyl Labels, Refer to the Card Stock & Label Guide

## Media Sizes Supported

10 Envelope, 7 3/4 Envelope, 9 Envelope, A4, A5, DL Envelope, A6 Card, Executive, Folio, JIS-B5, Legal, Letter, Statement, Universal

## Standard Ports

Ethernet 10/100BaseTX (RJ-45), One Internal Card Slot, USB 2.0 Specification Hi-Speed Certified (Type B), Front USB Port Compatible with USB 2.0 Specification (Type A)

## Optional Network Ports

Lexmark N4050e 802.11g Wireless Print Server (Print Only), External MarkNet™ N7020e Gigabit Ethernet, Internal MarkNet™ N8120 Gigabit Ethernet, Internal MarkNet™ N8130 Fiber Fast Ethernet, Internal MarkNet™ N8150 802.11b/g/n Wireless

## Network Printing Methods

LPR/LPD, Direct IP (Port 9100), Socket (Raw TCP/IP), HTTP, NDS Queue-based Printing, NDPS/NEPS (Novell Distributed Print Services, Novell Netware Enterprise Print Services), Enhanced IP (Port 9400), FTP, TFTP, IPP 1.1 (Internet Printing Protocol), ThinPrint .print integration

## Network Protocol Support

TCP/IP IPv4, IPX/SPX, AppleTalk™, LexLink (DLC), TCP/IP IPv6, TCP, UDP

## Network Security

SNMPv3, 802.1x Authentication: MDS, MSCHAPv2, LEAP, PEAP, TLS, TTLS, IPsec

## Printable Area

0.167 inches of the top, bottom, right and left edges (within)

## Printer Languages (Standard)

PCL 5e Emulation, PCL 6 Emulation, Personal Printer Data Stream (PPDS), PostScript 3 Emulation, xHTML, PDF 1.6, Direct Image, Microsoft XPS (XML Paper Specification)

## Supplies Yield

25,000\*-page High Yield Print Cartridge, \*Average standard page yield value declared in accordance with ISO/IEC 19752., 7,000\*-page Print Cartridge

## Cartridge(s) Shipping with Product

10,000\*-page starter Return Program Print Cartridge

## Packaged Size (in. - H x W x D)

21.65 x 24.61 x 21.46 in.

## Size (in. - H x W x D)

16.8 x 16.7 x 20.1 in.

## Weight (lb.)

50.7 lb.

## Noise Level, Idle

30 dBA

## Print Noise Level, Operating

54 dBA

## Product Warranty

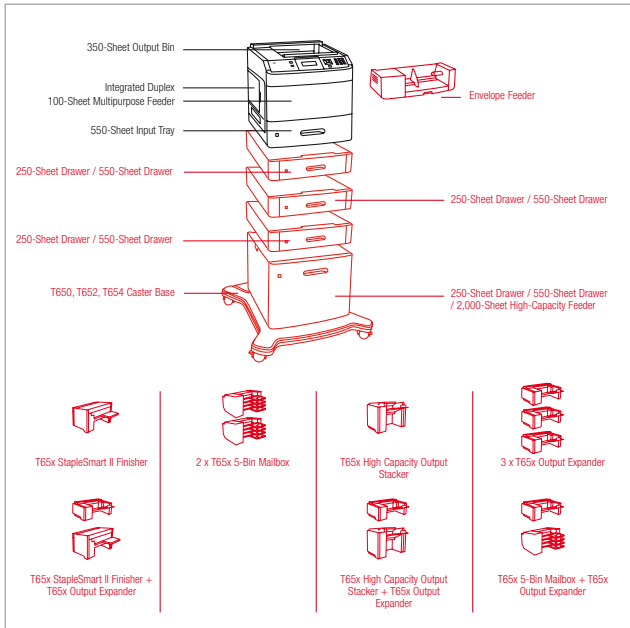
1-Year Exchange Service, Next Business Day

## Maximum Monthly Duty Cycle

Up to 225,000 pages per month

## Recommended Monthly Page Volume

3,000 - 30,000 pages



Paper Handling Standard  
 Paper Handling Optional

|               |   |
|---------------|---|
| <b>Part #</b> | <b>Model</b>  |
| 30G0200       | Lexmark T652dn  |
| <b>Part #</b> | <b>Laser Toner/Print Cartridge</b>                                    |
| T650H11A      | T65x High Yield Return Program Print Cartridge                        |
| T650A11A      | T65x Return Program Print Cartridge                                   |
| T650H04A      | T65x High Yield Return Program Print Cartridge for Label Applications |
| T650H21A      | T65x High Yield Print Cartridge                                       |
| T650A21A      | T65x Print Cartridge  |
| 25A0013       | Staple Cartridges (3 pack)  |
| <b>Part #</b> | <b>Paper &amp; Transparencies</b>                                     |
| 70X7240       | Laser Printer Transparencies (Letter)                                 |
| <b>Part #</b> | <b>Paper Handling</b>   |
| 30G0852       | T65x 5-Bin Mailbox  |
| 30G0804       | 2000-Sheet High Capacity Feeder                                       |
| 30G0854       | 5 inch (12.7 cm) Spacer   |
| 30G0802       | 550-Sheet Drawer  |
| 30G0800       | 250-Sheet Drawer  |
| 30G0807       | Envelope Feeder   |
| 30G0851       | T65x Output Expander  |
| 30G0853       | T65x High Capacity Output Stacker                                     |
| 30G0860       | 400-Sheet Universally Adjustable Tray with Drawer                     |
| 30G0880       | T65x Kiosk Presenter  |
| 30G0850       | T65x StapleSmart II Finisher  |
| 30G0871       | 200-Sheet Universally Adjustable Tray with Drawer                     |
| 30G0849       | 550-Sheet Lockable Drawer   |
| 30G0836       | 200-Sheet Lockable Universally Adjustable Tray with Drawer            |
| 30G0859       | 400-Sheet Lockable Universally Adjustable Tray with Drawer            |
| <b>Part #</b> | <b>Furniture</b>  |
| 16M1207       | T650, T652, T654 Caster Base  |
| <b>Part #</b> | <b>Memory Options</b>   |
| 1022298       | 128MB DDR1-DRAM   |
| 1022299       | 256MB DDR1-DRAM   |
| 1022301       | 512MB DDR1-DRAM   |
| 14F0245       | 256MB Flash Card  |
| 14F0102       | 80+GB Hard Disk   |
| 30G0828       | Japanese Font Card  |
| 30G0825       | Korean Font Card  |
| 30G0826       | Simplified Chinese Font Card  |
| 30G0827       | Traditional Chinese Font Card   |
| <b>Part #</b> | <b>Application Solutions</b>  |
| 30G0829       | Lexmark PrintCryption Card  |
| 30G0830       | T650, T652 Forms and Bar Code Card                                    |
| 30G0831       | T650, T652 Card for IPDS/SCS/TNE                                      |
| <b>Part #</b> | <b>Connectivity</b>   |
| 1021294       | USB Cable (2-meter)   |

|         |   |
|---------|---|
| 14F0000 | Parallel 1284-B Interface Card                                |
| 1021231 | Parallel Cable (10-foot)                                      |
| 14F0100 | RS-232C Serial Interface Card                                 |
| 14F0037 | MarkNet N8120 Gigabit Ethernet Print Server                   |
| 14F0042 | MarkNet N8130 Fiber Ethernet 100BaseFX, 10BaseFL Print Server |
| 14F0040 | MarkNet N8150 802.11b/g/n Wireless Print Server               |
| 14T0145 | Lexmark N4050e 802.11g Wireless Print Server                  |
| 14T0220 | MarkNet™ N7020e Gigabit Ethernet Print Server                 |

**Part # Extended Warranties**

|         |  |
|---------|--|
| 2350328 | 2-Years Total Exchange Service, Next Business Day  |
| 2350329 | 3-Years Total Exchange Service, Next Business Day  |
| 2350330 | 4-Years Total Exchange Service, Next Business Day  |
| 2350331 | 5-Years Total Exchange Service, Next Business Day  |
| 2350332 | 1-Year Exchange Service Renewal, Next Business Day |
| 2350336 | Upgrade to Onsite Service, Next Business Day       |
| 2350337 | 2-Years Total Onsite Service, Next Business Day    |
| 2350338 | 3-Years Total Onsite Service, Next Business Day    |
| 2350339 | 4-Years Total Onsite Service, Next Business Day    |
| 2350340 | 5-Years Total Onsite Service, Next Business Day    |
| 2350341 | 1-Year Onsite Service Renewal, Next Business Day   |

**Part # User Replaceable Parts**

|         |  |
|---------|--|
| 40X4724 | T65x, X654e, X656e, X658e Fuser Maintenance Kit 110-120V |
| 40X5852 | Dual Charge Roll Assembly                                |
| 40X1886 | Transfer Roll Assembly                                   |
| 40X2665 | Oil Fuser Wiper  |
| 40X2666 | Wax Fuser Wiper  |
| 40X4308 | Pick Roll Assembly                                       |



# Lexmark T652dtn

Ultra-fast, versatile monochrome printer with integrated duplex and extra input drawer

## Print Technology

Monochrome Laser

## Print Speed (Letter, Black)

Up to 50 ppm

## Print Speed (Letter, Black) Duplex

Up to 34 spm

## Time to First Page (Black)

As fast as 7.5 seconds

## Print Resolution, Black

1200 Image Quality, 1200 x 1200 dpi, 2400 Image Quality, 600 x 600 dpi

## Processor

500 MHz

## Memory, Standard

128 MB

## Memory, Maximum

640 MB

## Expandable Memory Options

Yes

## Apple Macintosh Operating Systems Supported

Mac OS X, Mac OS 9.2

## Citrix MetaFrame

Microsoft Windows 2000 Server running Terminal Services with Citrix Presentation Server 3.0, 4.0, Microsoft Windows Server 2003 running Terminal Services with Citrix Presentation Server 3.0, 4.0, 4.5, Microsoft Windows Server 2003 x64 running Terminal Services with Citrix Presentation Server 4.0 x64, 4.5 x64

## Linux Operating Systems Supported

Linpus Linux Desktop 9.2, 9.3, Red Hat Enterprise Linux WS 3.0, 4.0, 5.0, SUSE Linux Enterprise Server 8.0, 9.0, 10.0, SUSE Linux Enterprise Desktop 10, openSUSE 10.2, 10.3, 11.0, Linspire Linux 6.0, Debian GNU/Linux 4.0, Red Flag Linux Desktop 5.0, 6.0, Ubuntu 7.10, Ubuntu 8.04 LTS

## Microsoft Windows Operating Systems Supported

2000, XP, Server 2003, XP x64, Server 2003 running Terminal Services, 2000 Server running Terminal Services, Server 2003 x64, Server 2003 x64 running Terminal Services, Vista, Vista x64, Server 2008, Server 2008 x64, Server 2008 running Terminal Services, Server 2008 x64 running Terminal Services

## Novell Operating Systems Supported

Open Enterprise Server for Netware with NDS, iPrint or Novell Distributed Print Services (NDPS), NetWare® 3.2, 4.2 (bindery), NetWare 4.2, 5.x and 6.x (NDS), NetWare 5.x, 6.x with iPrint or Novell Distributed Print Services (NDPS)

## UNIX Operating Systems Supported

Sun Solaris SPARC 8, 9, 10, Sun Solaris x86 10, HP-UX 11.11, 11.23, 11.31, IBM AIX 5.2, 5.3, 6.1

## Other Operating Systems Supported

IBM iSeries or IBM AS/400® Systems with TCP/IP with OS/400® V3R1 or later using OS/400 Host Print Transform, Virtually any platform supporting TCP/IP

## Paper Handling Standard

Integrated Duplex, 100-Sheet Multipurpose Feeder, 550-Sheet Drawer, 550-Sheet Input Tray, 350-Sheet Output Bin

## Paper Handling Optional

1,850-Sheet High-Capacity Output Stacker, 200-Sheet Universally Adjustable Tray with Drawer, 400-Sheet Universally Adjustable Tray with Drawer, 5-Bin Mailbox, 550-Sheet Drawer, Envelope Feeder, 250-Sheet Drawer, Optional furniture required., 2,000-Sheet High-Capacity Feeder, 550-Sheet Output Expander, StapleSmart II Finisher

## Paper Input Capacity, Standard: Up to

1200 pages 20 lb or 75 gsm bond

## Paper Input Capacity, Maximum: Up to

4300 pages 20 lb or 75 gsm bond

## Paper Output Capacity, Standard: Up to

350 pages 20 lb or 75 gsm bond

## Paper Output Capacity, Maximum: Up to

2750 pages 20 lb or 75 gsm bond

## Finishing Option

Yes

## Number of Paper Inputs, Standard

3

## Number of Paper Inputs, Maximum

6

## Media Types Supported

Card Stock, Dual Web Labels, Envelopes, Integrated Labels, Paper Labels, Plain Paper, Polyester Labels, Transparencies, Vinyl Labels, Refer to the Card Stock & Label Guide

## Media Sizes Supported

10 Envelope, 7 3/4 Envelope, A4, A5, D5, DLE Envelope, A6 Card, Executive, Folio, JIS-B5, Legal, Letter, Statement, Universal

## Standard Ports

Ethernet 10/100BaseTX (RJ-45), One Internal Card Slot, USB 2.0 Specification Hi-Speed Certified (Type B), Front USB Port Compatible with USB 2.0 Specification (Type A)

## Optional Network Ports

Lexmark N4050e 802.11g Wireless Print Server (Print Only), External MarkNet™ N7020e Gigabit Ethernet, Internal MarkNet™ N8120 Gigabit Ethernet, Internal MarkNet™ N8130 Fiber Fast Ethernet, Internal MarkNet™ N8150 802.11b/g/n Wireless

## Network Printing Methods

LPR/LPD, Direct IP (Port 9100), Socket (Raw TCP/IP), HTTP, NDS Queue-based Printing, NDPS/NEPS (Novell Distributed Print Services, Novell Netware Enterprise Print Services), Enhanced IP (Port 9400), FTP, TFTP, IPP 1.1 (Internet Printing Protocol), ThinPrint .print integration

## Network Protocol Support

TCP/IP IPv4, IPX/SPX, AppleTalk™, LexLink (DLC), TCP/IP IPv6, TCP, UDP

## Network Security

SNMPv3, 802.1x Authentication: MD5, MSCHAPv2, LEAP,

PEAP, TLS, TTLS, IPsec

## Printable Area

0.167 inches of the top, bottom, right and left edges (within)

## Printer Languages (Standard)

PCL 5e Emulation, PCL 6 Emulation, Personal Printer Data Stream (PPDS), PostScript 3 Emulation, xHTML, PDF 1.6, Direct Image, Microsoft XPS (XML Paper Specification)

## Supplies Yield

25,000\*-page High Yield Print Cartridge, \*Average standard page yield value declared in accordance with ISO/IEC 19752., 7,000\*-page Print Cartridge

## Cartridge(s) Shipping with Product

10,000\*-page starter Return Program Print Cartridge

## Packaged Size (in. - H x W x D)

27.17 x 24.61 x 21.46 in.

## Size (in. - H x W x D)

21.9 x 16.7 x 20.1 in.

## Weight (lb.)

59.5 lb.

## Noise Level, Idle

30 dBA

## Print Noise Level, Operating

54 dBA

## Product Warranty

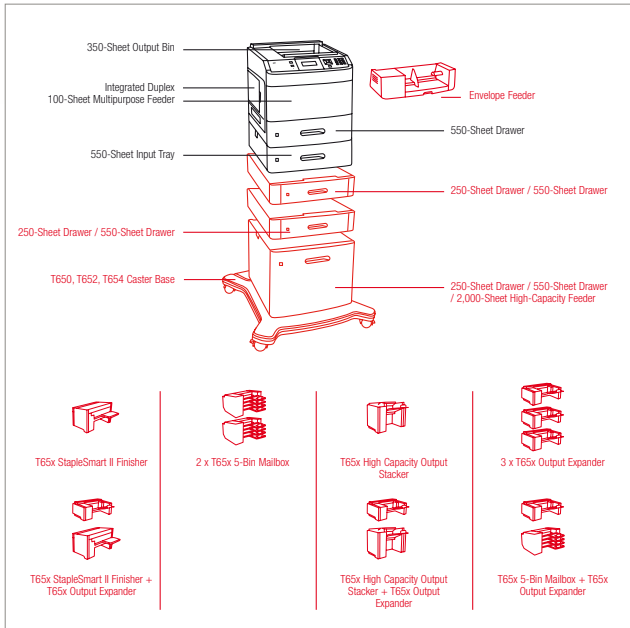
1-Year Exchange Service, Next Business Day

## Maximum Monthly Duty Cycle

Up to 225,000 pages per month

## Recommended Monthly Page Volume

3,000 - 30,000 pages



Paper Handling Standard  
 Paper Handling Optional

|               |   |
|---------------|---|
| <b>Part #</b> | <b>Model</b>  |
| 30G0108       | Lexmark T652dtn   |
| <b>Part #</b> | <b>Laser Toner/Print Cartridge</b>                                    |
| T650H11A      | T65x High Yield Return Program Print Cartridge                        |
| T650A11A      | T65x Return Program Print Cartridge                                   |
| T650H04A      | T65x High Yield Return Program Print Cartridge for Label Applications |
| T650H21A      | T65x High Yield Print Cartridge                                       |
| T650A21A      | T65x Print Cartridge  |
| 25A0013       | Staple Cartridges (3 pack)  |
| <b>Part #</b> | <b>Paper &amp; Transparencies</b>                                     |
| 70X7240       | Laser Printer Transparencies (Letter)                                 |
| <b>Part #</b> | <b>Paper Handling</b>   |
| 30G0852       | T65x 5-Bin Mailbox  |
| 30G0804       | 2000-Sheet High Capacity Feeder                                       |
| 30G0854       | 5 inch (12.7 cm) Spacer   |
| 30G0802       | 550-Sheet Drawer  |
| 30G0800       | 250-Sheet Drawer  |
| 30G0807       | Envelope Feeder   |
| 30G0851       | T65x Output Expander  |
| 30G0853       | T65x High Capacity Output Stacker                                     |
| 30G0860       | 400-Sheet Universally Adjustable Tray with Drawer                     |
| 30G0880       | T65x Kiosk Presenter  |
| 30G0850       | T65x StapleSmart II Finisher  |
| 30G0871       | 200-Sheet Universally Adjustable Tray with Drawer                     |
| 30G0849       | 550-Sheet Lockable Drawer   |
| 30G0836       | 200-Sheet Lockable Universally Adjustable Tray with Drawer            |
| 30G0859       | 400-Sheet Lockable Universally Adjustable Tray with Drawer            |
| <b>Part #</b> | <b>Furniture</b>  |
| 16M1207       | T650, T652, T654 Caster Base  |
| <b>Part #</b> | <b>Memory Options</b>   |
| 1022298       | 128MB DDR1-DRAM   |
| 1022299       | 256MB DDR1-DRAM   |
| 1022301       | 512MB DDR1-DRAM   |
| 14F0245       | 256MB Flash Card  |
| 14F0102       | 80+GB Hard Disk   |
| 30G0828       | Japanese Font Card  |
| 30G0825       | Korean Font Card  |
| 30G0826       | Simplified Chinese Font Card  |
| 30G0827       | Traditional Chinese Font Card   |
| <b>Part #</b> | <b>Application Solutions</b>  |
| 30G0829       | Lexmark PrintCryption Card  |
| 30G0830       | T650, T652 Forms and Bar Code Card                                    |
| 30G0831       | T650, T652 Card for IPDS/SCS/TNE                                      |
| <b>Part #</b> | <b>Connectivity</b>   |
| 1021294       | USB Cable (2-meter)   |

|         |   |
|---------|---|
| 14F0000 | Parallel 1284-B Interface Card                                |
| 1021231 | Parallel Cable (10-foot)                                      |
| 14F0100 | RS-232C Serial Interface Card                                 |
| 14F0037 | MarkNet N8120 Gigabit Ethernet Print Server                   |
| 14F0042 | MarkNet N8130 Fiber Ethernet 100BaseFX, 10BaseFL Print Server |
| 14F0040 | MarkNet N8150 802.11b/g/n Wireless Print Server               |
| 14T0145 | Lexmark N4050e 802.11g Wireless Print Server                  |
| 14T0220 | MarkNet™ N7020e Gigabit Ethernet Print Server                 |

**Part # Extended Warranties**

|         |  |
|---------|--|
| 2350328 | 2-Years Total Exchange Service, Next Business Day  |
| 2350329 | 3-Years Total Exchange Service, Next Business Day  |
| 2350330 | 4-Years Total Exchange Service, Next Business Day  |
| 2350331 | 5-Years Total Exchange Service, Next Business Day  |
| 2350332 | 1-Year Exchange Service Renewal, Next Business Day |
| 2350336 | Upgrade to Onsite Service, Next Business Day       |
| 2350337 | 2-Years Total Onsite Service, Next Business Day    |
| 2350338 | 3-Years Total Onsite Service, Next Business Day    |
| 2350339 | 4-Years Total Onsite Service, Next Business Day    |
| 2350340 | 5-Years Total Onsite Service, Next Business Day    |
| 2350341 | 1-Year Onsite Service Renewal, Next Business Day   |

**Part # User Replaceable Parts**

|         |  |
|---------|--|
| 40X4724 | T65x, X654e, X656e, X658e Fuser Maintenance Kit 110-120V |
| 40X5852 | Dual Charge Roll Assembly                                |
| 40X1886 | Transfer Roll Assembly                                   |
| 40X2665 | Oil Fuser Wiper  |
| 40X2666 | Wax Fuser Wiper  |
| 40X4308 | Pick Roll Assembly                                       |



# Lexmark T654n

Ultimate departmental workhorse offering best-in-series total cost of ownership

## Print Technology

Monochrome Laser

## Print Speed (Letter, Black)

Up to 55 ppm

## Time to First Page (Black)

As fast as 7.5 seconds

## Print Resolution, Black

1200 Image Quality, 1200 x 1200 dpi, 2400 Image

Quality, 600 x 600 dpi

## Processor

600 MHz

## Memory, Standard

256 MB

## Memory, Maximum

1280 MB

## Expandable Memory Options

Yes

## Apple Macintosh Operating Systems Supported

Mac OS X, Mac OS 9.2

## Citrix MetaFrame

Microsoft Windows 2000 Server running Terminal Services with Citrix Presentation Server 3.0, 4.0, Microsoft Windows Server 2003 running Terminal Services with Citrix Presentation Server 3.0, 4.0, 4.5, Microsoft Windows Server 2003 x64 running Terminal Services with Citrix Presentation Server 4.0 x64, 4.5 x64

## Linux Operating Systems Supported

Linpus Linux Desktop 9.2, 9.3, Red Hat Enterprise Linux WS 3.0, 4.0, 5.0, SUSE Linux Enterprise Server 8.0, 9.0, 10.0, SUSE Linux Enterprise Desktop 10, openSUSE 10.2, 10.3, 11.0, Linspire Linux 6.0, Debian GNU/Linux 4.0, Red Flag Linux Desktop 5.0, 6.0, Ubuntu 7.10, Ubuntu 8.04 LTS

## Microsoft Windows Operating Systems Supported

2000, XP, Server 2003, XP x64, Server 2003 running Terminal Services, 2000 Server running Terminal Services, Server 2003 x64, Server 2003 x64 running Terminal Services, Vista, Vista x64, Server 2008, Server 2008 x64, Server 2008 running Terminal Services, Server 2008 x64 running Terminal Services

## Novell Operating Systems Supported

Open Enterprise Server for Netware with NDS, iPrint or Novell Distributed Print Services (NDPS), NetWare 5.x, 6.x with iPrint or Novell Distributed Print Services (NDPS)

## UNIX Operating Systems Supported

Sun Solaris SPARC 8, 9, 10, Sun Solaris x86 10, HP-UX 11.11, 11.23, 11.31, IBM AIX 5.2, 5.3, 6.1

## Other Operating Systems Supported

IBM iSeries or IBM AS/400® Systems with TCP/IP with OS/400® V3R1 or later using OS/400 Host Print Transform, Virtually any platform supporting TCP/IP

## Paper Handling Standard

100-Sheet Multipurpose Feeder, 550-Sheet Input Tray, 550-Sheet Output Bin

## Paper Handling Optional

1,850-Sheet High-Capacity Output Stacker, 200-Sheet

Universally Adjustable Tray with Drawer, 400-Sheet Universally Adjustable Tray with Drawer, 5-Bin Mailbox, 550-Sheet Drawer, Envelope Feeder, 250-Sheet Drawer, Optional furniture required., 2,000-Sheet High-Capacity Feeder, 550-Sheet Output Expander, StapleSmart II Finisher

## Paper Input Capacity, Standard: Up to

650 pages 20 lb or 75 gsm bond

## Paper Input Capacity, Maximum: Up to

4300 pages 20 lb or 75 gsm bond

## Paper Output Capacity, Standard: Up to

550 pages 20 lb or 75 gsm bond

## Paper Output Capacity, Maximum: Up to

2950 pages 20 lb or 75 gsm bond

## Finishing Option

Yes

## Number of Paper Inputs, Standard

2

## Number of Paper Inputs, Maximum

6

## Media Types Supported

Card Stock, Dual Web Labels, Envelopes, Integrated Labels, Paper Labels, Plain Paper, Polyester Labels, Transparencies, Vinyl Labels, Refer to the Card Stock & Label Guide

## Media Sizes Supported

10 Envelope, 7 3/4 Envelope, 9 Envelope, A4, A5, DL Envelope, A6 Card, Executive, Folio, JIS-B5, Legal, Letter, Statement, Universal

## Standard Ports

Ethernet 10/100BaseTX (RJ-45), One Internal Card Slot, USB 2.0 Specification Hi-Speed Certified (Type B), Front USB 2.0 Specification Hi-Speed Certified Port (Type A), Rear USB 2.0 Specification Hi-Speed Certified Port (Type A)

## Optional Network Ports

Lexmark N4050e 802.11g Wireless Print Server (Print Only), External MarkNet™ N7020e Gigabit Ethernet, Internal MarkNet™ N8120 Gigabit Ethernet, Internal MarkNet™ N8130 Fiber Fast Ethernet, Internal MarkNet™ N8150 802.11b/g/n Wireless

## Network Printing Methods

LPR/LPD, Direct IP (Port 9100), Socket (Raw TCP/IP), HTTP, NDS Queue-based Printing, NDPS/NEPS (Novell Distributed Print Services, Novell Netware Enterprise Print Services), Enhanced IP (Port 9400), FTP, TFTP, IPP 1.1 (Internet Printing Protocol), ThinPrint .print integration

## Network Protocol Support

TCP/IP IPv4, IPX/SPX, AppleTalk™, LexLink (DLC), TCP/IP IPv6, TCP, UDP

## Network Security

SNMPv3, 802.1x Authentication: MD5, MSCHAPv2, LEAP, PEAP, TLS, TTLS, IPsec

## Printable Area

0.167 inches of the top, bottom, right and left edges (within)

## Printer Languages (Standard)

PCL 5e Emulation, PCL 6 Emulation, Personal Printer Data Stream (PPDS), PostScript 3 Emulation, xHTML, PDF 1.6, Direct Image, Microsoft XPS (XML Paper Specification)

## Supplies Yield

25,000\*-page High Yield Print Cartridge, \*Average standard page yield value declared in accordance with ISO/IEC 19752., 7,000\*-page Print Cartridge, 36,000\*-page Extra High Yield Print Cartridge

## Cartridge(s) Shipping with Product

10,000\*-page starter Return Program Print Cartridge

## Packaged Size (in. - H x W x D)

21.65 x 24.61 x 21.46 in.

## Size (in. - H x W x D)

17.2 x 16.7 x 20.1 in.

## Weight (lb.)

51.6 lb.

## Noise Level, Idle

30 dBA

## Print Noise Level, Operating

55 dBA

## Product Warranty

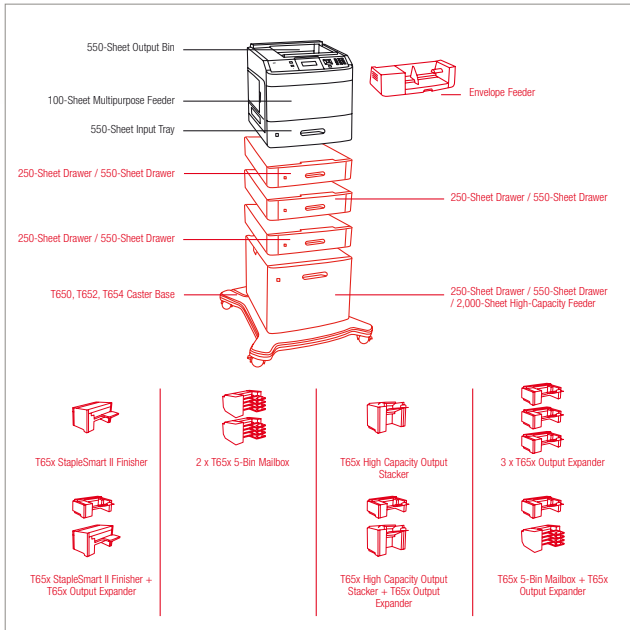
1-Year Exchange Service, Next Business Day

## Maximum Monthly Duty Cycle

Up to 275,000 pages per month

## Recommended Monthly Page Volume

5,000 - 35,000 pages



 Paper Handling Standard  
 Paper Handling Optional

| Part #  | Model         |
|---------|---------------|
| 30G0310 | Lexmark T654n |

| Part #   | Laser Toner/Print Cartridge   |
|----------|---|
| T654X11A | T654 Extra High Yield Return Program Print Cartridge                        |
| T650H11A | T65x High Yield Return Program Print Cartridge                              |
| T650A11A | T65x Return Program Print Cartridge   |
| T654X04A | T654 Extra High Yield Return Program Print Cartridge for Label Applications |
| T650H04A | T65x High Yield Return Program Print Cartridge for Label Applications       |
| T654X21A | T654 Extra High Yield Print Cartridge                                       |
| T650H21A | T65x High Yield Print Cartridge   |
| T650A21A | T65x Print Cartridge  |
| 25A0013  | Staple Cartridges (3 pack)  |

| Part #  | Paper & Transparencies                |
|---------|---------------------------------------|
| 70X7240 | Laser Printer Transparencies (Letter) |

| Part #  | Paper Handling   |
|---------|--|
| 30G0804 | 2000-Sheet High Capacity Feeder                            |
| 30G0802 | 550-Sheet Drawer   |
| 30G0854 | 5 inch (12.7 cm) Spacer                                    |
| 30G0800 | 250-Sheet Drawer   |
| 30G0807 | Envelope Feeder  |
| 30G0852 | T65x 5-Bin Mailbox   |
| 30G0851 | T65x Output Expander                                       |
| 30G0853 | T65x High Capacity Output Stacker                          |
| 30G0850 | T65x StapleSmart II Finisher                               |
| 30G0860 | 400-Sheet Universally Adjustable Tray with Drawer          |
| 30G0890 | T65x Kiosk Presenter                                       |
| 30G0871 | 200-Sheet Universally Adjustable Tray with Drawer          |
| 30G0849 | 550-Sheet Lockable Drawer                                  |
| 30G0836 | 200-Sheet Lockable Universally Adjustable Tray with Drawer |
| 30G0859 | 400-Sheet Lockable Universally Adjustable Tray with Drawer |

| Part #  | Furniture                    |
|---------|------------------------------|
| 16M1207 | T650, T652, T654 Caster Base |

| Part #  | Memory Options                |
|---------|-------------------------------|
| 1025041 | 256MB DDR2-DRAM               |
| 1025042 | 512MB DDR2-DRAM               |
| 1025043 | 1024MB DDR2-DRAM              |
| 14F0245 | 256MB Flash Card              |
| 14F0102 | 80+GB Hard Disk               |
| 30G0828 | Japanese Font Card            |
| 30G0825 | Korean Font Card              |
| 30G0827 | Traditional Chinese Font Card |
| 30G0826 | Simplified Chinese Font Card  |

| Part #  | Application Solutions      |
|---------|----------------------------|
| 30G0829 | Lexmark PrintCryption Card |

|         |                                |
|---------|--------------------------------|
| 30G0835 | T654 Card for IPDS and SCS/TNc |
| 30G0834 | T654 Forms and Bar Code Card   |

| Part #  | Connectivity  |
|---------|---|
| 1021294 | USB Cable (2-meter)   |
| 14F0000 | Parallel 1284-B Interface Card                                |
| 1021231 | Parallel Cable (10-foot)                                      |
| 14F0100 | RS-232C Serial Interface Card                                 |
| 14F0037 | MarkNet N8120 Gigabit Ethernet Print Server                   |
| 14F0042 | MarkNet N8130 Fiber Ethernet 100BaseFX, 10BaseFL Print Server |
| 14F0040 | MarkNet N8150 802.11b/g/n Wireless Print Server               |
| 14T0145 | Lexmark N4050e 802.11g Wireless Print Server                  |
| 14T0220 | MarkNet™ N7020e Gigabit Ethernet Print Server                 |

| Part #  | Extended Warranties                                |
|---------|--|
| 2350363 | 2-Years Total Exchange Service, Next Business Day  |
| 2350364 | 3-Years Total Exchange Service, Next Business Day  |
| 2350365 | 4-Years Total Exchange Service, Next Business Day  |
| 2350366 | 5-Years Total Exchange Service, Next Business Day  |
| 2350367 | 1-Year Exchange Service Renewal, Next Business Day |
| 2350371 | Upgrade to Onsite Service, Next Business Day       |
| 2350372 | 2-Years Total Onsite Service, Next Business Day    |
| 2350373 | 3-Years Total Onsite Service, Next Business Day    |
| 2350374 | 4-Years Total Onsite Service, Next Business Day    |
| 2350375 | 5-Years Total Onsite Service, Next Business Day    |
| 2350376 | 1-Year Onsite Service Renewal, Next Business Day   |

| Part #  | User Replaceable Parts                                   |
|---------|--|
| 40X4724 | T65x, X654e, X656e, X658e Fuser Maintenance Kit 110-120V |
| 40X5852 | Dual Charge Roll Assembly                                |
| 40X1886 | Transfer Roll Assembly                                   |
| 40X2665 | Oil Fuser Wiper  |
| 40X2666 | Wax Fuser Wiper  |
| 40X4308 | Pick Roll Assembly                                       |



# Lexmark T654dn

Ultimate departmental workhorse with integrated duplex

## Print Technology

Monochrome Laser

## Print Speed (Letter, Black)

Up to 55 ppm

## Print Speed (Letter, Black) Duplex

Up to 37 ppm

## Time to First Page (Black)

As fast as 7.5 seconds

## Print Resolution, Black

1200 Image Quality, 1200 x 1200 dpi, 2400 Image Quality, 600 x 600 dpi

## Processor

600 MHz

## Memory, Standard

256 MB

## Memory, Maximum

1280 MB

## Expandable Memory Options

Yes

## Apple Macintosh Operating Systems Supported

Mac OS X, Mac OS 9.2

## Citrix MetaFrame

Microsoft Windows 2000 Server running Terminal Services with Citrix Presentation Server 3.0, 4.0, Microsoft Windows Server 2003 running Terminal Services with Citrix Presentation Server 3.0, 4.0, 4.5, Microsoft Windows Server 2003 x64 running Terminal Services with Citrix Presentation Server 4.0 x64, 4.5 x64

## Linux Operating Systems Supported

Linpus Linux Desktop 9.2, 9.3, Red Hat Enterprise Linux WS 3.0, 4.0, 5.0, SUSE Linux Enterprise Server 8.0, 9.0, 10.0, SUSE Linux Enterprise Desktop 10, openSUSE 10.2, 10.3, 11.0, Linspire Linux 6.0, Debian GNU/Linux 4.0, Red Flag Linux Desktop 5.0, 6.0, Ubuntu 7.10, Ubuntu 8.04 LTS

## Microsoft Windows Operating Systems Supported

2000, XP, Server 2003, XP x64, Server 2003 running Terminal Services, 2000 Server running Terminal Services, Server 2003 x64, Server 2003 x64 running Terminal Services, Vista, Vista x64, Server 2008, Server 2008 x64, Server 2008 running Terminal Services, Server 2008 x64 running Terminal Services

## Novell Operating Systems Supported

Open Enterprise Server for Netware with NDS, iPrint or Novell Distributed Print Services (NDPS), NetWare 5.x, 6.x with iPrint or Novell Distributed Print Services (NDPS)

## UNIX Operating Systems Supported

Sun Solaris SPARC 8, 9, 10, Sun Solaris x86 10, HP-UX 11.11, 11.23, 11.31, IBM AIX 5.2, 5.3, 6.1

## Other Operating Systems Supported

IBM iSeries or IBM AS/400® Systems with TCP/IP with OS/400® V3R1 or later using OS/400 Host Print Transform, Virtually any platform supporting TCP/IP

## Paper Handling Standard

Integrated Duplex, 100-Sheet Multipurpose Feeder, 550-Sheet Input Tray, 550-Sheet Output Bin

## Paper Handling Optional

1,850-Sheet High-Capacity Output Stacker, 200-Sheet Universally Adjustable Tray with Drawer, 400-Sheet Universally Adjustable Tray with Drawer, 5-Bin Mailbox, 550-Sheet Drawer, Envelope Feeder, 250-Sheet Drawer, Optional furniture required., 2,000-Sheet High-Capacity Feeder, 550-Sheet Output Expander, StapleSmart II Finisher

## Paper Input Capacity, Standard: Up to

650 pages 20 lb or 75 gsm bond

## Paper Input Capacity, Maximum: Up to

4300 pages 20 lb or 75 gsm bond

## Paper Output Capacity, Standard: Up to

550 pages 20 lb or 75 gsm bond

## Paper Output Capacity, Maximum: Up to

2950 pages 20 lb or 75 gsm bond

## Finishing Option

Yes

## Number of Paper Inputs, Standard

2

## Number of Paper Inputs, Maximum

6

## Media Types Supported

Card Stock, Dual Web Labels, Envelopes, Integrated Labels, Paper Labels, Plain Paper, Polyester Labels, Transparencies, Vinyl Labels, Refer to the Card Stock & Label Guide

## Media Sizes Supported

10 Envelope, 7 3/4 Envelope, 9 Envelope, A4, A5, DL Envelope, A6 Card, Executive, Folio, JIS-B5, Legal, Letter, Statement, Universal

## Standard Ports

Ethernet 10/100BaseTX (RJ-45), One Internal Card Slot, USB 2.0 Specification Hi-Speed Certified (Type B), Front USB 2.0 Specification Hi-Speed Certified Port (Type A), Rear USB 2.0 Specification Hi-Speed Certified Port (Type A)

## Optional Network Ports

Lexmark N4050e 802.11g Wireless Print Server (Print Only), External MarkNet™ N7020e Gigabit Ethernet, Internal MarkNet™ N8120 Gigabit Ethernet, Internal MarkNet™ N8130 Fiber Fast Ethernet, Internal MarkNet™ N8150 802.11b/g/n Wireless

## Network Printing Methods

LPR/LPD, Direct IP (Port 9100), Socket (Raw TCP/IP), HTTP, NDS Queue-based Printing, NDPS/NEPS (Novell Distributed Print Services, Novell Netware Enterprise Print Services), Enhanced IP (Port 9400), FTP, TFTP, IPP 1.1 (Internet Printing Protocol), ThinPrint .print integration

## Network Protocol Support

TCP/IP IPv4, IPX/SPX, AppleTalk™, LexLink (DLC), TCP/IP IPv6, TCP, UDP

## Network Security

SNMPv3, 802.1x Authentication: MD5, MSCHAPv2, LEAP, PEAP, TLS, TTLS, IPsec

## Printable Area

0.167 inches of the top, bottom, right and left edges (within)

## Printer Languages (Standard)

PCL 5e Emulation, PCL 6 Emulation, Personal Printer Data Stream (PPDS), PostScript 3 Emulation, xHTML, PDF 1.6, Direct Image, Microsoft XPS (XML Paper Specification)

## Supplies Yield

25,000\*-page High Yield Print Cartridge, \*Average standard page yield value declared in accordance with ISO/IEC 19752., 7,000\*-page Print Cartridge, 36,000\*-page Extra High Yield Print Cartridge

## Cartridge(s) Shipping with Product

10,000\*-page starter Return Program Print Cartridge

## Packaged Size (in. - H x W x D)

21.65 x 24.61 x 21.46 in.

## Size (in. - H x W x D)

17.2 x 16.7 x 20.1 in.

## Weight (lb.)

51.6 lb.

## Noise Level, Idle

30 dBA

## Print Noise Level, Operating

55 dBA

## Product Warranty

1-Year Exchange Service, Next Business Day

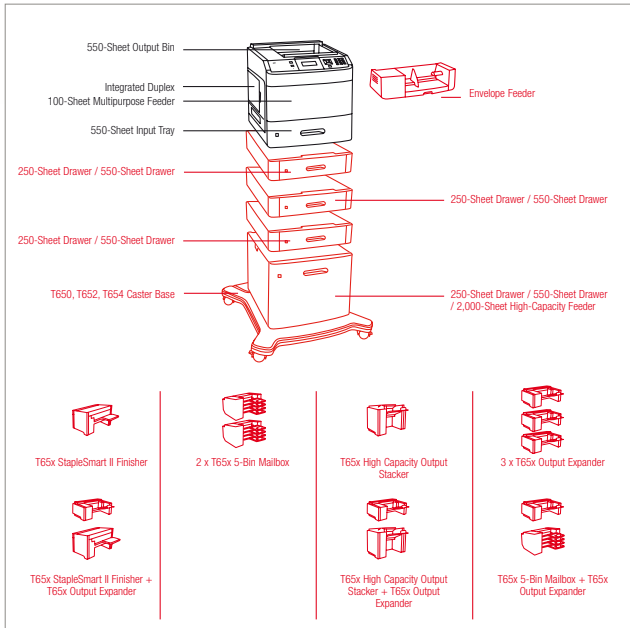
## Maximum Monthly Duty Cycle

Up to 275,000 pages per month

## Recommended Monthly Page Volume

5,000 - 35,000 pages





Paper Handling Standard  
 Paper Handling Optional

| Part #  | Model          |
|---------|----------------|
| 30G0300 | Lexmark T654dn |

| Part #   | Laser Toner/Print Cartridge   |
|----------|---|
| T654X11A | T654 Extra High Yield Return Program Print Cartridge                        |
| T650H11A | T65x High Yield Return Program Print Cartridge                              |
| T650A11A | T65x Return Program Print Cartridge   |
| T654X04A | T654 Extra High Yield Return Program Print Cartridge for Label Applications |
| T650H04A | T65x High Yield Return Program Print Cartridge for Label Applications       |
| T654X21A | T654 Extra High Yield Print Cartridge                                       |
| T650H21A | T65x High Yield Print Cartridge   |
| T650A21A | T65x Print Cartridge  |
| 25A0013  | Staple Cartridges (3 pack)  |

| Part #  | Paper & Transparencies                |
|---------|---------------------------------------|
| 70X7240 | Laser Printer Transparencies (Letter) |

| Part #  | Paper Handling   |
|---------|--|
| 30G0852 | T65x 5-Bin Mailbox   |
| 30G0804 | 2000-Sheet High Capacity Feeder                            |
| 30G0854 | 5 inch (12.7 cm) Spacer                                    |
| 30G0802 | 550-Sheet Drawer   |
| 30G0800 | 250-Sheet Drawer   |
| 30G0807 | Envelope Feeder  |
| 30G0851 | T65x Output Expander                                       |
| 30G0853 | T65x High Capacity Output Stacker                          |
| 30G0860 | 400-Sheet Universally Adjustable Tray with Drawer          |
| 30G0880 | T65x Kiosk Presenter                                       |
| 30G0850 | T65x StapleSmart II Finisher                               |
| 30G0871 | 200-Sheet Universally Adjustable Tray with Drawer          |
| 30G0849 | 550-Sheet Lockable Drawer                                  |
| 30G0836 | 200-Sheet Lockable Universally Adjustable Tray with Drawer |
| 30G0859 | 400-Sheet Lockable Universally Adjustable Tray with Drawer |

| Part #  | Furniture                    |
|---------|------------------------------|
| 16M1207 | T650, T652, T654 Caster Base |

| Part #  | Memory Options                |
|---------|-------------------------------|
| 1025041 | 256MB DDR2-DRAM               |
| 1025042 | 512MB DDR2-DRAM               |
| 1025043 | 1024MB DDR2-DRAM              |
| 14F0245 | 256MB Flash Card              |
| 14F0102 | 80+GB Hard Disk               |
| 30G0828 | Japanese Font Card            |
| 30G0825 | Korean Font Card              |
| 30G0827 | Traditional Chinese Font Card |
| 30G0826 | Simplified Chinese Font Card  |

| Part #  | Application Solutions      |
|---------|----------------------------|
| 30G0829 | Lexmark PrintCryption Card |

|         |                                |
|---------|--------------------------------|
| 30G0835 | T654 Card for IPDS and SCS/TN6 |
| 30G0834 | T654 Forms and Bar Code Card   |

| Part #  | Connectivity  |
|---------|---|
| 1021294 | USB Cable (2-meter)   |
| 14F0000 | Parallel 1284-B Interface Card                                |
| 1021231 | Parallel Cable (10-foot)                                      |
| 14F0100 | RS-232C Serial Interface Card                                 |
| 14F0037 | MarkNet N8120 Gigabit Ethernet Print Server                   |
| 14F0042 | MarkNet N8130 Fiber Ethernet 100BaseFX, 10BaseFL Print Server |
| 14F0040 | MarkNet N8150 802.11b/g/n Wireless Print Server               |
| 14T0145 | Lexmark N4050e 802.11g Wireless Print Server                  |
| 14T0220 | MarkNet™ N7020e Gigabit Ethernet Print Server                 |

| Part #  | Extended Warranties                                |
|---------|--|
| 2350363 | 2-Years Total Exchange Service, Next Business Day  |
| 2350364 | 3-Years Total Exchange Service, Next Business Day  |
| 2350365 | 4-Years Total Exchange Service, Next Business Day  |
| 2350366 | 5-Years Total Exchange Service, Next Business Day  |
| 2350367 | 1-Year Exchange Service Renewal, Next Business Day |
| 2350371 | Upgrade to Onsite Service, Next Business Day       |
| 2350372 | 2-Years Total Onsite Service, Next Business Day    |
| 2350373 | 3-Years Total Onsite Service, Next Business Day    |
| 2350374 | 4-Years Total Onsite Service, Next Business Day    |
| 2350375 | 5-Years Total Onsite Service, Next Business Day    |
| 2350376 | 1-Year Onsite Service Renewal, Next Business Day   |

| Part #  | User Replaceable Parts                                   |
|---------|--|
| 40X4724 | T65x, X654e, X656e, X658e Fuser Maintenance Kit 110-120V |
| 40X5850 | Dual Charge Roll Assembly                                |
| 40X1882 | Transfer Roll Assembly                                   |
| 40X2665 | Oil Fuser Wiper  |
| 40X2666 | Wax Fuser Wiper  |
| 40X4308 | Pick Roll Assembly                                       |



# Lexmark T654dtn

Ultimate departmental workhorse with integrated duplex and extra input drawer

## Print Technology

Monochrome Laser

### Print Speed (Letter, Black)

Up to 55 ppm

### Print Speed (Letter, Black) Duplex

Up to 37 ppm

### Time to First Page (Black)

As fast as 7.5 seconds

### Print Resolution, Black

1200 Image Quality, 1200 x 1200 dpi, 2400 Image Quality, 600 x 600 dpi

## Processor

600 MHz

### Memory, Standard

256 MB

### Memory, Maximum

1280 MB

### Expandable Memory Options

Yes

### Apple Macintosh Operating Systems Supported

Mac OS X, Mac OS 9.2

### Citrix MetaFrame

Microsoft Windows 2000 Server running Terminal Services with Citrix Presentation Server 3.0, 4.0, Microsoft Windows Server 2003 running Terminal Services with Citrix Presentation Server 3.0, 4.0, 4.5, Microsoft Windows Server 2003 x64 running Terminal Services with Citrix Presentation Server 4.0 x64, 4.5 x64

### Linux Operating Systems Supported

Linpus Linux Desktop 9.2, 9.3, Red Hat Enterprise Linux WS 3.0, 4.0, 5.0, SUSE Linux Enterprise Server 8.0, 9.0, 10.0, SUSE Linux Enterprise Desktop 10, openSUSE 10.2, 10.3, 11.0, Linspire Linux 6.0, Debian GNU/Linux 4.0, Red Flag Linux Desktop 5.0, 6.0, Ubuntu 7.10, Ubuntu 8.04 LTS

### Microsoft Windows Operating Systems Supported

2000, XP, Server 2003, XP x64, Server 2003 running Terminal Services, 2000 Server running Terminal Services, Server 2003 x64, Server 2003 x64 running Terminal Services, Vista, Vista x64, Server 2008, Server 2008 x64, Server 2008 running Terminal Services, Server 2008 x64 running Terminal Services

### Novell Operating Systems Supported

Open Enterprise Server for Netware with NDS, iPrint or Novell Distributed Print Services (NDPS), NetWare 5.x, 6.x with iPrint or Novell Distributed Print Services (NDPS)

### UNIX Operating Systems Supported

Sun Solaris SPARC 8, 9, 10, Sun Solaris x86 10, HP-UX 11.11, 11.23, 11.31, IBM AIX 5.2, 5.3, 6.1

### Other Operating Systems Supported

IBM iSeries or IBM AS/400® Systems with TCP/IP with OS/400® V3R1 or later using OS/400 Host Print Transform, Virtually any platform supporting TCP/IP

## Paper Handling Standard

Integrated Duplex, 100-Sheet Multipurpose Feeder, 550-Sheet Drawer, 550-Sheet Input Tray, 550-Sheet

## Output Bin

### Paper Handling Optional

1,850-Sheet High-Capacity Output Stacker, 200-Sheet Universally Adjustable Tray with Drawer, 400-Sheet Universally Adjustable Tray with Drawer, 5-Bin Mailbox, 550-Sheet Drawer, Envelope Feeder, 250-Sheet Drawer, Optional furniture required., 2,000-Sheet High-Capacity Feeder, 550-Sheet Output Expander, StapleSmart II Finisher

### Paper Input Capacity, Standard: Up to

1200 pages 20 lb or 75 gsm bond

### Paper Input Capacity, Maximum: Up to

4300 pages 20 lb or 75 gsm bond

### Paper Output Capacity, Standard: Up to

550 pages 20 lb or 75 gsm bond

### Paper Output Capacity, Maximum: Up to

2950 pages 20 lb or 75 gsm bond

### Finishing Option

Yes

### Number of Paper Inputs, Standard

3

### Number of Paper Inputs, Maximum

6

## Media Types Supported

Card Stock, Dual Web Labels, Envelopes, Integrated Labels, Paper Labels, Plain Paper, Polyester Labels, Transparencies, Vinyl Labels, Refer to the Card Stock & Label Guide

## Media Sizes Supported

10 Envelope, 7 3/4 Envelope, 9 Envelope, A4, A5, DL Envelope, A6 Card, Executive, Folio, JIS-B5, Legal, Letter, Statement, Universal

## Standard Ports

Ethernet 10/100BaseTX (RJ-45), One Internal Card Slot, USB 2.0 Specification Hi-Speed Certified (Type B), Front USB 2.0 Specification Hi-Speed Certified Port (Type A), Rear USB 2.0 Specification Hi-Speed Certified Port (Type A)

## Optional Network Ports

Lexmark N4050e 802.11g Wireless Print Server (Print Only), External MarkNet™ N7020e Gigabit Ethernet, Internal MarkNet™ N8120 Gigabit Ethernet, Internal MarkNet™ N8130 Fiber Fast Ethernet, Internal MarkNet™ N8150 802.11b/g/n Wireless

## Network Printing Methods

LPR/LPD, Direct IP (Port 9100), Socket (Raw TCP/IP), HTTP, NDS Queue-based Printing, NDPS/NEPS (Novell Distributed Print Services, Novell Netware Enterprise Print Services), Enhanced IP (Port 9400), FTP, TFTP, IPP 1.1 (Internet Printing Protocol), ThinPrint .print integration

## Network Protocol Support

TCP/IP IPv4, IPX/SPX, AppleTalk™, LexLink (DLC), TCP/IP IPv6, TCP, UDP

## Network Security

SNMPv3, 802.1x Authentication: MDS, MSCHAPv2, LEAP, PEAP, TLS, TTLS, IPsec

## Printable Area

0.167 inches of the top, bottom, right and left edges (within)

## Printer Languages (Standard)

PCL 5e Emulation, PCL 6 Emulation, Personal Printer Data Stream (PPDS), PostScript 3 Emulation, xHTML, PDF 1.6, Direct Image, Microsoft XPS (XML Paper Specification)

## Supplies Yield

25,000\*-page High Yield Print Cartridge, \*Average standard page yield value declared in accordance with ISO/IEC 19752., 7,000\*-page Print Cartridge, 36,000\*-page Extra High Yield Print Cartridge

## Cartridge(s) Shipping with Product

10,000\*-page starter Return Program Print Cartridge

## Packaged Size (in. - H x W x D)

27.17 x 24.61 x 21.46 in.

## Size (in. - H x W x D)

22.4 x 16.7 x 20.1 in.

## Weight (lb.)

60.4 lb.

## Noise Level, Idle

30 dBA

## Print Noise Level, Operating

55 dBA

## Product Warranty

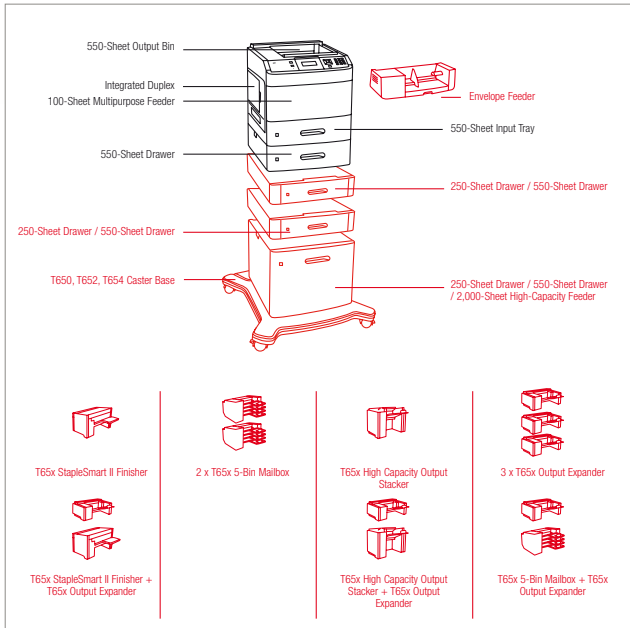
1-Year Exchange Service, Next Business Day

## Maximum Monthly Duty Cycle

Up to 275,000 pages per month

## Recommended Monthly Page Volume

5,000 - 35,000 pages



Paper Handling Standard  
 Paper Handling Optional

| Part #  | Model           |
|---------|-----------------|
| 30G0109 | Lexmark T654dtn |

| Part #   | Laser Toner/Print Cartridge   |
|----------|---|
| T654X11A | T654 Extra High Yield Return Program Print Cartridge                        |
| T650H11A | T65x High Yield Return Program Print Cartridge                              |
| T650A11A | T65x Return Program Print Cartridge   |
| T654X04A | T654 Extra High Yield Return Program Print Cartridge for Label Applications |
| T650H04A | T65x High Yield Return Program Print Cartridge for Label Applications       |
| T654X21A | T654 Extra High Yield Print Cartridge                                       |
| T650H21A | T65x High Yield Print Cartridge   |
| T650A21A | T65x Print Cartridge  |
| 25A0013  | Staple Cartridges (3 pack)  |

| Part #  | Paper & Transparencies                |
|---------|---------------------------------------|
| 70X7240 | Laser Printer Transparencies (Letter) |

| Part #  | Paper Handling   |
|---------|--|
| 30G0804 | 2000-Sheet High Capacity Feeder                            |
| 30G0802 | 550-Sheet Drawer   |
| 30G0854 | 5 inch (12.7 cm) Spacer                                    |
| 30G0800 | 250-Sheet Drawer   |
| 30G0807 | Envelope Feeder  |
| 30G0852 | T65x 5-Bin Mailbox   |
| 30G0851 | T65x Output Expander                                       |
| 30G0853 | T65x High Capacity Output Stacker                          |
| 30G0860 | 400-Sheet Universally Adjustable Tray with Drawer          |
| 30G0860 | T65x Kiosk Presenter                                       |
| 30G0850 | T65x StapleSmart II Finisher                               |
| 30G0871 | 200-Sheet Universally Adjustable Tray with Drawer          |
| 30G0849 | 550-Sheet Lockable Drawer                                  |
| 30G0836 | 200-Sheet Lockable Universally Adjustable Tray with Drawer |
| 30G0859 | 400-Sheet Lockable Universally Adjustable Tray with Drawer |

| Part #  | Furniture                    |
|---------|------------------------------|
| 16M1207 | T650, T652, T654 Caster Base |

| Part #  | Memory Options                |
|---------|-------------------------------|
| 1025041 | 256MB DDR2-DRAM               |
| 1025042 | 512MB DDR2-DRAM               |
| 1025043 | 1024MB DDR2-DRAM              |
| 14F0245 | 256MB Flash Card              |
| 14F0102 | 80+GB Hard Disk               |
| 30G0828 | Japanese Font Card            |
| 30G0825 | Korean Font Card              |
| 30G0827 | Traditional Chinese Font Card |
| 30G0826 | Simplified Chinese Font Card  |

| Part #  | Application Solutions      |
|---------|----------------------------|
| 30G0829 | Lexmark PrintCryption Card |

|         |                                |
|---------|--------------------------------|
| 30G0835 | T654 Card for IPDS and SCS/TN6 |
| 30G0834 | T654 Forms and Bar Code Card   |

| Part #  | Connectivity  |
|---------|---|
| 1021294 | USB Cable (2-meter)   |
| 14F0000 | Parallel 1284-B Interface Card                                |
| 1021231 | Parallel Cable (10-foot)                                      |
| 14F0100 | RS-232C Serial Interface Card                                 |
| 14F0037 | MarkNet N8120 Gigabit Ethernet Print Server                   |
| 14F0042 | MarkNet N8130 Fiber Ethernet 100BaseFX, 10BaseFL Print Server |
| 14F0040 | MarkNet N8150 802.11b/g/n Wireless Print Server               |
| 14T0145 | Lexmark N4050e 802.11g Wireless Print Server                  |
| 14T0220 | MarkNet™ N7020e Gigabit Ethernet Print Server                 |

| Part #  | Extended Warranties                                |
|---------|--|
| 2350363 | 2-Years Total Exchange Service, Next Business Day  |
| 2350364 | 3-Years Total Exchange Service, Next Business Day  |
| 2350365 | 4-Years Total Exchange Service, Next Business Day  |
| 2350366 | 5-Years Total Exchange Service, Next Business Day  |
| 2350367 | 1-Year Exchange Service Renewal, Next Business Day |
| 2350371 | Upgrade to Onsite Service, Next Business Day       |
| 2350372 | 2-Years Total Onsite Service, Next Business Day    |
| 2350373 | 3-Years Total Onsite Service, Next Business Day    |
| 2350374 | 4-Years Total Onsite Service, Next Business Day    |
| 2350375 | 5-Years Total Onsite Service, Next Business Day    |
| 2350376 | 1-Year Onsite Service Renewal, Next Business Day   |

| Part #  | User Replaceable Parts                                   |
|---------|--|
| 40X4724 | T65x, X654e, X656e, X658e Fuser Maintenance Kit 110-120V |
| 40X5852 | Dual Charge Roll Assembly                                |
| 40X1886 | Transfer Roll Assembly                                   |
| 40X2665 | Oil Fuser Wiper  |
| 40X2666 | Wax Fuser Wiper  |
| 40X4308 | Pick Roll Assembly                                       |



# Lexmark W840

A3 / 11" x 17" capability for departmental printing

## Print Technology

Monochrome Laser

## Print Speed (Letter, Black)

Up to 50 ppm

## Time to First Page (Black)

As fast as 6.8 seconds

## Print Resolution, Black

1200 x 1200 dpi, 2400 Image Quality, 600 x 600 dpi

## Processor

625 MHz

## Memory, Standard

256 MB

## Memory, Maximum

768 MB

## Expandable Memory Options

Yes

## Apple Macintosh Operating Systems Supported

Mac OS X, Mac OS 9.2

## Citrix MetaFrame

Microsoft Windows 2000 Server running Terminal Services with Citrix MetaFrame XP Presentation Server or Citrix MetaFrame Presentation Server 3.0., Microsoft Windows Server 2003 running Terminal Services with Citrix MetaFrame XP Presentation Server or Citrix MetaFrame Presentation Server 3.0, Microsoft Windows 2000 Server running Terminal Services with Citrix Presentation Server 4.0, Microsoft Windows Server 2003 running Terminal Services with Citrix Presentation Server 4.0

## Linux Operating Systems Supported

Red Hat Linux 7.3, 8.0, 9.0, Red Flag Linux Desktop 4.0, 5.0, Linpus Linux Desktop 9.2, 9.3, Red Hat Enterprise Linux WS 3.0, 4.0, 5.0, SUSE Linux Enterprise Server 8.0, 9.0, 10.0, SUSE Linux Professional 9.1, 9.2, 9.3, Debian GNU/Linux 3.1, 4.0, Linspire Linux 5.0

## Microsoft Windows Operating Systems Supported

2000, NT (4.00/4.00 Server), Me, XP, Server 2003, 98 2nd Edition, XP x64, Server 2003 running Terminal Services, 2000 Server running Terminal Services, Server 2003 x64, Server 2003 x64 running Terminal Services, Vista, Vista x64

## Novell Operating Systems Supported

Open Enterprise Server for Netware with NDS, iPrint or Novell Distributed Print Services (NDPS), NetWare® 3.2, 4.2 (bindery), NetWare 4.2, 5.x and 6.x (NDS), NetWare 5.x, 6.x with iPrint or Novell Distributed Print Services (NDPS)

## UNIX Operating Systems Supported

Sun Solaris SPARC 8, 9, 10, HP-UX 11.00, 11.1, IBM AIX 5.1, 5.2, 5.3

## Other Operating Systems Supported

IBM iSeries or IBM AS/400® Systems with TCP/IP with OS/400® V3R1 or later using OS/400 Host Print Transform, Virtually any platform supporting TCP/IP

## Paper Handling Standard

500-Sheet Output Bin, Two 500-Sheet Trays, 100-Sheet

## Multipurpose Feeder

## Paper Handling Optional

Duplex Unit, 2,000-Sheet High-Capacity Feeder, 2,000-Sheet Dual Input, 2 x 500-Sheet Drawer, 3,500-Sheet Finisher

## Paper Input Capacity, Standard: Up to

1100 pages 20 lb or 75 gsm bond

## Paper Input Capacity, Maximum: Up to

5100 pages 20 lb or 75 gsm bond

## Paper Output Capacity, Standard: Up to

500 pages 20 lb or 75 gsm bond

## Paper Output Capacity, Maximum: Up to

3800 pages 20 lb or 75 gsm bond

## Finishing Option

Yes

## Number of Paper Inputs, Standard

3

## Number of Paper Inputs, Maximum

6

## Media Types Supported

Card Stock, Envelopes, Paper Labels, Plain Paper, Transparencies, Refer to the Card Stock & Label Guide

## Media Sizes Supported

10 Envelope, 7 3/4 Envelope, A3, A4, A5, C5 Envelope, DL Envelope, Executive, Folio, JIS-B4, JIS-B5, Ledger, Legal, Letter, Statement, Universal

## Standard Ports

Centronics IEEE 1284 Bidirectional Parallel, One Internal Card Slot, USB Compatible with USB 2.0 Specification (Type B), USB Direct interface on Operator Panel

## Optional Network Ports

Coax/Twinax Adapter for SCS, Internal MarkNet™ N8020 Gigabit Ethernet, Internal MarkNet™ N8050 802.11g

Wireless, External MarkNet™ N7020e Gigabit Ethernet, External MarkNet™ N7000e Fast Ethernet (USB), Internal MarkNet™ N8030 Fiber Fast Ethernet, Internal MarkNet™ N8000 Fast Ethernet

## Printable Area

0.16 inches of the top, bottom, right and left edges (within)

## Printer Languages (Standard)

PCL 5e Emulation, PCL 6 Emulation, Personal Printer Data Stream (PPDS), PostScript 3 Emulation, PDF 1.5

## Supplies Yield

\*Average standard page yield value declared in accordance with ISO/IEC 19752., 60,000-page Photoconductor Unit, 30,000\*-page Toner Cartridge

## Cartridge(s) Shipping with Product

30,000\*-page Toner Cartridge

## Packaged Size (in. - H x W x D)

24.2 x 32.7 x 32.7 in.

## Size (in. - H x W x D)

18.7 x 24.25 x 20.5 in.

## Weight (lb.)

100.5 lb.

## Noise Level, Idle

28 dBA

## Print Noise Level, Operating

55 dBA

## Product Warranty

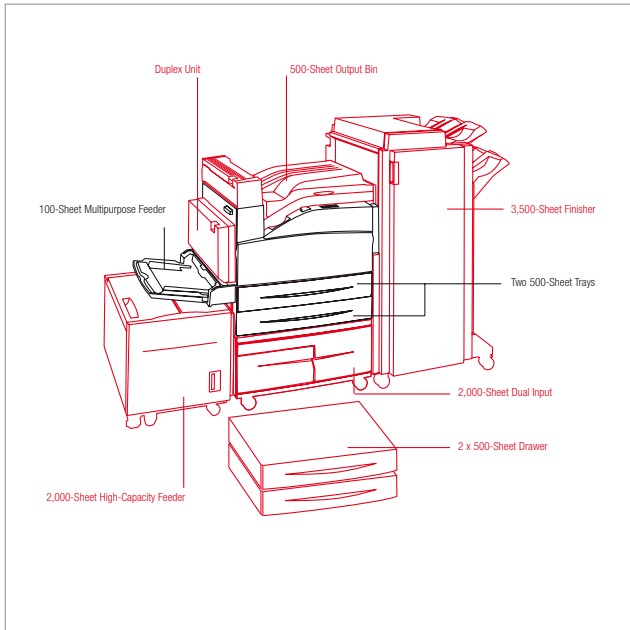
One Year Onsite Repair

## Maximum Monthly Duty Cycle

Up to 300,000 pages per month

## Recommended Monthly Page Volume

15,000 - 59,000 pages



Paper Handling Standard  
 Paper Handling Optional

| Part #  | Model        |
|---------|--------------|
| 25A0075 | Lexmark W840 |

| Part #  | Laser Toner/Print Cartridge |
|---------|-----------------------------|
| W84020H | W840 Toner Cartridge        |
| W84030H | W840 Photoconductor Kit     |
| 25A0013 | Staple Cartridges (3 pack)  |

| Part #  | Paper & Transparencies                |
|---------|---------------------------------------|
| 70X7240 | Laser Printer Transparencies (Letter) |

| Part #  | Paper Handling                                  |
|---------|---|
| 25A0015 | W840 Duplex Unit                                |
| 15R0120 | W840 2000-Sheet Dual Input                      |
| 15R0146 | W840 2 x 500-Sheet Drawer                       |
| 15R0144 | X850e, X852e, X854e, W840 Finisher (2 / 3-Hole) |
| 15R0145 | X850e, X852e, X854e, W840 High Capacity Feeder  |

| Part #  | Furniture            |
|---------|----------------------|
| 15R0140 | W840 Printer Cabinet |

| Part #  | Memory Options                |
|---------|-------------------------------|
| 13N1523 | 128MB DDR-DRAM                |
| 13N1524 | 256MB DDR-DRAM                |
| 13N1530 | 40+ GB Hard Disk              |
| 13N1526 | 512MB DDR-DRAM                |
| 1021208 | 32MB Flash Card               |
| 1021209 | 64MB Flash Card               |
| 1021243 | Japanese Font Card            |
| 1021240 | Korean Font Card              |
| 1021241 | Simplified Chinese Font Card  |
| 1021242 | Traditional Chinese Font Card |

| Part #  | Application Solutions             |
|---------|-----------------------------------|
| 25A0033 | W840 Card for PRESCRIBE Emulation |

| Part #  | Connectivity  |
|---------|---|
| 1021294 | USB Cable (2-meter)                                   |
| 1021231 | Parallel Cable (10-foot)                              |
| 1021091 | Parallel 1284-B Interface Card                        |
| 1021092 | RS-232C Serial Interface Card                         |
| 14S0240 | Coax/Twinax Adapter for SCS                           |
| 14S0230 | MarkNet™ N8000 Fast Ethernet Print Server             |
| 14S0200 | MarkNet™ N8020 Gigabit Ethernet Print Server          |
| 14S0220 | MarkNet™ N8030 Fiber Ethernet 100BaseFX, 10BaseFL     |
| 14S0165 | MarkNet™ N8050 802.11g Wireless Print Server          |
| 14T0030 | Lexmark N4000e for Ethernet 10/100BaseTX              |
| 14T0145 | Lexmark N4050e 802.11g Wireless Print Server          |
| 14T0230 | MarkNet™ N7000e Fast Ethernet Print Server - USB      |
| 14T0240 | MarkNet™ N7002e Fast Ethernet Print Server - Parallel |

|         |   |
|---------|---|
| 14T0220 | MarkNet™ N7020e Gigabit Ethernet Print Server |
|---------|---|

| Part #  | Extended Warranties                              |
|---------|--|
| 2347512 | 2-Years Total Onsite Service, Next Business Day  |
| 2347513 | 3-Years Total Onsite Service, Next Business Day  |
| 2347514 | 4-Years Total Onsite Service, Next Business Day  |
| 2347640 | 1-Year Onsite Service Renewal, Next Business Day |

| Part #  | User Replaceable Parts              |
|---------|-------------------------------------|
| 40X0956 | W840 Fuser Maintenance Kit 110-120V |



# Lexmark W840n

Network-ready, A3/11" x 17" capability for departmental printing

## Print Technology

Monochrome Laser

## Print Speed (Letter, Black)

Up to 50 ppm

## Time to First Page (Black)

As fast as 6.8 seconds

## Print Resolution, Black

1200 x 1200 dpi, 2400 Image Quality, 600 x 600 dpi

## Processor

625 MHz

## Memory, Standard

256 MB

## Memory, Maximum

768 MB

## Expandable Memory Options

Yes

## Apple Macintosh Operating Systems Supported

Mac OS X, Mac OS 9.2

## Citrix MetaFrame

Microsoft Windows 2000 Server running Terminal Services with Citrix MetaFrame XP Presentation Server or Citrix MetaFrame Presentation Server 3.0., Microsoft Windows Server 2003 running Terminal Services with Citrix MetaFrame XP Presentation Server or Citrix MetaFrame Presentation Server 3.0, Microsoft Windows 2000 Server running Terminal Services with Citrix Presentation Server 4.0, Microsoft Windows Server 2003 running Terminal Services with Citrix Presentation Server 4.0

## Linux Operating Systems Supported

Red Hat Linux 7.3, 8.0, 9.0, Red Flag Linux Desktop 4.0, 5.0, Linpus Linux Desktop 9.2, 9.3, Red Hat Enterprise Linux WS 3.0, 4.0, 5.0, SUSE Linux Enterprise Server 8.0, 9.0, 10.0, SUSE Linux Professional 9.1, 9.2, 9.3, Debian GNU/Linux 3.1, 4.0, Linspire Linux 5.0

## Microsoft Windows Operating Systems Supported

2000, NT (4.0/4.00 Server), Me, XP, Server 2003, 98 2nd Edition, XP x64, Server 2003 running Terminal Services, 2000 Server running Terminal Services, Server 2003 x64, Server 2003 x64 running Terminal Services, Vista, Vista x64

## Novell Operating Systems Supported

Open Enterprise Server for Netware with NDS, iPrint or Novell Distributed Print Services (NDPS), NetWare® 3.2, 4.2 (bindery), NetWare 4.2, 5.x and 6.x (NDS), NetWare 5.x, 6.x with iPrint or Novell Distributed Print Services (NDPS)

## UNIX Operating Systems Supported

Sun Solaris SPARC 8, 9, 10, HP-UX 11.00, 11.1, IBM AIX 5.1, 5.2, 5.3

## Other Operating Systems Supported

IBM iSeries or IBM AS/400® Systems with TCP/IP with OS/400® V3R1 or later using OS/400 Host Print Transform, Virtually any platform supporting TCP/IP

## Paper Handling Standard

500-Sheet Output Bin, Two 500-Sheet Trays, 100-Sheet

Multipurpose Feeder

## Paper Handling Optional

Duplex Unit, 2,000-Sheet High-Capacity Feeder, 2,000-Sheet Dual Input, 2 x 500-Sheet Drawer, 3,500-Sheet Finisher

## Paper Input Capacity, Standard: Up to

1100 pages 20 lb or 75 gsm bond

## Paper Input Capacity, Maximum: Up to

5100 pages 20 lb or 75 gsm bond

## Paper Output Capacity, Standard: Up to

500 pages 20 lb or 75 gsm bond

## Paper Output Capacity, Maximum: Up to

3800 pages 20 lb or 75 gsm bond

## Finishing Option

Yes

## Number of Paper Inputs, Standard

3

## Number of Paper Inputs, Maximum

6

## Media Types Supported

Card Stock, Envelopes, Paper Labels, Plain Paper, Transparencies, Refer to the Card Stock & Label Guide

## Media Sizes Supported

10 Envelope, 7 3/4 Envelope, A3, A4, A5, C5 Envelope, DL Envelope, Executive, Folio, JIS-B4, JIS-B5, Ledger, Legal, Letter, Statement, Universal

## Standard Ports

Centronics IEEE 1284 Bidirectional Parallel, Ethernet 10/100BaseTX (RJ-45), One Internal Card Slot, USB Compatible with USB 2.0 Specification (Type B), USB Direct interface on Operator Panel

## Optional Network Ports

Coax/Twinax Adapter for SCS, Lexmark N4050e 802.11g Wireless Print Server (Print Only), Internal MarkNet™ N8020 Gigabit Ethernet, Internal MarkNet™ N8050 802.11g Wireless, External MarkNet™ N7020e Gigabit Ethernet, Internal MarkNet™ N8030 Fiber Fast Ethernet

## Network Printing Methods

LPR/LPD, Direct IP (Port 9100), Socket (Raw TCP/IP), IPP (Internet Printing Protocol), HTTP, NDS Queue-based Printing, NDPS/NEPS (Novell Distributed Print Services), Novell Netware Enterprise Print Services, Enhanced IP (Port 9400)

## Network Protocol Support

TCP/IP IPv4, IPX/SPX, AppleTalk™, LexLink (LDC), TCP/IP IPv6

## Network Security

SSL\* Enabled Embedded Web Server (HTTPS), SNMPv3, TCP/IP port access control, Authenticated and encrypted MarkVision Professional communication, 802.1x Authentication: MD5, MSCHAPv2, LEAP, PEAP, TLS, TTLS, IPSec, \*This product includes software developed by the OpenSSL Project for use in the OpenSSL Toolkit.

## Printable Area

0.16 inches of the top, bottom, right and left edges (within)

## Printer Languages (Standard)

PCL 5e Emulation, PCL 6 Emulation, Personal Printer Data Stream (PPDS), PostScript 3 Emulation, PDF 1.5, xHTML

## Supplies Yield

\*Average standard page yield value declared in accordance with ISO/IEC 19752., 60,000-page Photoconductor Unit, 30,000\*-page Toner Cartridge

## Cartridge(s) Shipping with Product

30,000\*-page Toner Cartridge

## Packaged Size (in. - H x W x D)

24.2 x 32.7 x 32.7 in.

## Size (in. - H x W x D)

18.7 x 24.25 x 20.5 in.

## Weight (lb.)

100.5 lb.

## Noise Level, Idle

28 dBA

## Print Noise Level, Operating

55 dBA

## Product Warranty

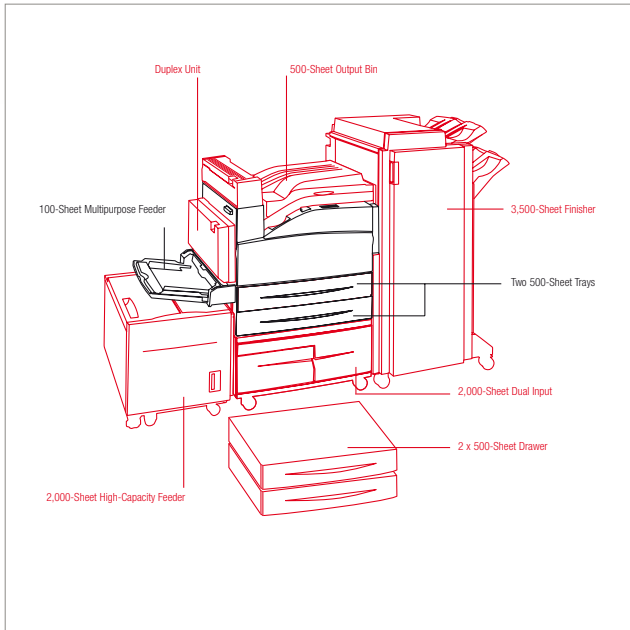
One Year Onsite Repair

## Maximum Monthly Duty Cycle

Up to 300,000 pages per month

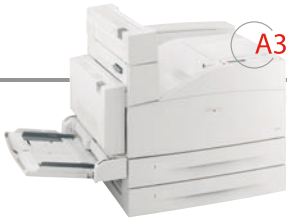
## Recommended Monthly Page Volume

15,000 - 59,000 pages



Paper Handling Standard  
 Paper Handling Optional

|               |   |               |  |
|---------------|---|---------------|--|
| <b>Part #</b> | <b>Model</b>                                      | 14T0220       | MarkNet™ N7020e Gigabit Ethernet Print Server    |
| 25A0001       | Lexmark W840n                                     | <b>Part #</b> | <b>Extended Warranties</b>                       |
| <b>Part #</b> | <b>Laser Toner/Print Cartridge</b>                | 2347512       | 2-Years Total Onsite Service, Next Business Day  |
| W84020H       | W840 Toner Cartridge                              | 2347513       | 3-Years Total Onsite Service, Next Business Day  |
| W84030H       | W840 Photoconductor Kit                           | 2347514       | 4-Years Total Onsite Service, Next Business Day  |
| 25A0013       | Staple Cartridges (3 pack)                        | 2347640       | 1-Year Onsite Service Renewal, Next Business Day |
| <b>Part #</b> | <b>Paper &amp; Transparencies</b>                 | <b>Part #</b> | <b>User Replaceable Parts</b>                    |
| 70X7240       | Laser Printer Transparencies (Letter)             | 40X0956       | W840 Fuser Maintenance Kit 110-120V              |
| <b>Part #</b> | <b>Paper Handling</b>                             |               |  |
| 25A0015       | W840 Duplex Unit                                  |               |  |
| 15R0120       | W840 2000-Sheet Dual Input                        |               |  |
| 15R0146       | W840 2 x 500-Sheet Drawer                         |               |  |
| 15R0144       | X850e, X852e, X854e, W840 Finisher (2 / 3-Hole)   |               |  |
| 15R0145       | X850e, X852e, X854e, W840 High Capacity Feeder    |               |  |
| <b>Part #</b> | <b>Furniture</b>                                  |               |  |
| 15R0140       | W840 Printer Cabinet                              |               |  |
| <b>Part #</b> | <b>Memory Options</b>                             |               |  |
| 13N1523       | 128MB DDR-DRAM                                    |               |  |
| 13N1530       | 40+ GB Hard Disk                                  |               |  |
| 13N1524       | 256MB DDR-DRAM                                    |               |  |
| 13N1526       | 512MB DDR-DRAM                                    |               |  |
| 1021208       | 32MB Flash Card                                   |               |  |
| 1021209       | 64MB Flash Card                                   |               |  |
| 1021243       | Japanese Font Card                                |               |  |
| 1021240       | Korean Font Card                                  |               |  |
| 1021241       | Simplified Chinese Font Card                      |               |  |
| 1021242       | Traditional Chinese Font Card                     |               |  |
| <b>Part #</b> | <b>Application Solutions</b>                      |               |  |
| 25A0032       | W840 Card for IPDS and SCS/Tne                    |               |  |
| 25A0033       | W840 Card for PRESCRIBE Emulation                 |               |  |
| 25A0036       | W840 Bar Code Card                                |               |  |
| 25A0037       | W840 Forms Card                                   |               |  |
| 25A0034       | Lexmark Print/Cryption Card for the Lexmark W840  |               |  |
| <b>Part #</b> | <b>Connectivity</b>                               |               |  |
| 1021294       | USB Cable (2-meter)                               |               |  |
| 1021231       | Parallel Cable (10-foot)                          |               |  |
| 1021091       | Parallel 1284-B Interface Card                    |               |  |
| 1021092       | RS-232C Serial Interface Card                     |               |  |
| 14S0240       | Coax/Twinax Adapter for SCS                       |               |  |
| 14T0145       | Lexmark N4050e 802.11g Wireless Print Server      |               |  |
| 14S0165       | MarkNet™ N8050 802.11g Wireless Print Server      |               |  |
| 14S0200       | MarkNet™ N8020 Gigabit Ethernet Print Server      |               |  |
| 14S0220       | MarkNet™ N8030 Fiber Ethernet 100BaseFX, 10BaseFL |               |  |



# Lexmark W840dn

Network-ready with duplex, A3/11" x 17" capability for departmental printing

## Print Technology

Monochrome Laser

### Print Speed (Letter, Black)

Up to 50 ppm

### Print Speed (Letter, Black) Duplex

Up to 50 ppm

### Time to First Page (Black)

As fast as 6.8 seconds

### Print Resolution, Black

1200 x 1200 dpi, 2400 Image Quality, 600 x 600 dpi

### Processor

625 Mhz

### Memory, Standard

256 MB

### Memory, Maximum

768 MB

### Expandable Memory Options

Yes

### Apple Macintosh Operating Systems Supported

Mac OS X, Mac OS 9.2

### Citrix MetaFrame

Citrix, MetaFrame and MetaFrame XP are registered trademarks or trademarks of Citrix Systems, Inc. in the U.S. and other countries., Microsoft Windows 2000 Server running Terminal Services with Citrix MetaFrame XP Presentation Server or Citrix MetaFrame Presentation Server 3.0., Microsoft Windows Server 2003 running Terminal Services with Citrix MetaFrame XP Presentation Server or Citrix MetaFrame Presentation Server 3.0, Microsoft Windows 2000 Server running Terminal Services with Citrix Presentation Server 4.0, Microsoft Windows Server 2003 running Terminal Services with Citrix Presentation Server 4.0

### Linux Operating Systems Supported

Red Hat Linux 7.3, 8.0, 9.0, Red Flag Linux Desktop 4.0, 5.0, Linpus Linux Desktop 9.2, 9.3, Red Hat Enterprise Linux WS 3.0, 4.0, 5.0, SUSE Linux Enterprise Server 8.0, 9.0, 10.0, SUSE Linux Professional 9.1, 9.2, 9.3, Debian GNU/Linux 3.1, 4.0, Linspire Linux 5.0

### Microsoft Windows Operating Systems Supported

2000, NT (4.00/4.00 Server), Me, XP, Server 2003, 98 2nd Edition, XP x64, Server 2003 running Terminal Services, 2000 Server running Terminal Services, Server 2003 x64, Server 2003 x64 running Terminal Services, Vista, Vista x64

### Novell Operating Systems Supported

Open Enterprise Server for Netware with NDS, iPrint or Novell Distributed Print Services (NDPS), NetWare® 3.2, 4.2 (bindery), NetWare 4.2, 5.x and 6.x (NDS), NetWare 5.x, 6.x with iPrint or Novell Distributed Print Services (NDPS)

### UNIX Operating Systems Supported

Sun Solaris SPARC 8, 9, 10, HP-LUX 11.00, 11.1, IBM AIX 5.1, 5.2, 5.3

### Other Operating Systems Supported

IBM iSeries or IBM AS/400® Systems with TCP/IP with OS/400® V3R1 or later using OS/400 Host Print Transform, Virtually any platform supporting TCP/IP

## Paper Handling Standard

500-Sheet Output Bin, Duplex Unit, Two 500-Sheet Trays, 100-Sheet Multipurpose Feeder

## Paper Handling Optional

2,000-Sheet High-Capacity Feeder, 2,000-Sheet Dual Input, 2 x 500-Sheet Drawer, 3,500-Sheet Finisher

## Paper Input Capacity, Standard: Up to

1100 pages 20 lb or 75 gsm bond

## Paper Input Capacity, Maximum: Up to

5100 pages 20 lb or 75 gsm bond

## Paper Output Capacity, Standard: Up to

500 pages 20 lb or 75 gsm bond

## Paper Output Capacity, Maximum: Up to

3800 pages 20 lb or 75 gsm bond

## Finishing Option

Yes

## Number of Paper Inputs, Standard

3

## Number of Paper Inputs, Maximum

6

## Media Types Supported

Card Stock, Envelopes, Paper Labels, Plain Paper, Transparencies, Refer to the Card Stock & Label Guide

## Media Sizes Supported

10 Envelope, 7 3/4 Envelope, A3, A4, A5, C5 Envelope, DL Envelope, Executive, Folio, JIS-B4, JIS-B5, Ledger, Legal, Letter, Statement, Universal

## Standard Ports

Centronics IEEE 1284 Bidirectional Parallel, Ethernet 10/100BaseTX (RJ-45), One Internal Card Slot, USB Compatible with USB 2.0 Specification (Type B), USB Direct interface on Operator Panel

## Optional Network Ports

Coax/Twinax Adapter for SCS, Lexmark M4050e 802.11g Wireless Print Server (Print Only), Internal MarkNet™ N8020 Gigabit Ethernet, Internal MarkNet™ N8050 802.11g Wireless, External MarkNet™ N7020e Gigabit Ethernet, Internal MarkNet™ N8030 Fiber Fast Ethernet

## Network Printing Methods

LPR/LPD, Direct IP (Port 9100), Socket (Raw TCP/IP), IPP (Internet Printing Protocol), HTTP, NDS Queue-based Printing, NDPS/NEPS (Novell Distributed Print Services, Novell Netware Enterprise Print Services), Enhanced IP (Port 9400)

## Network Protocol Support

TCP/IP IPv4, IPX/SPX, AppleTalk™, LexLink (LDC), TCP/IP IPv6

## Network Security

SSL\* Enabled Embedded Web Server (HTTPS), SNMPv3, TCP/IP port access control, Authenticated and encrypted MarkVision Professional communication, 802.1x Authentication: MD5, MSCHAPv2, LEAP, PEAR, TLS, TTLS, IPsec, \*This product includes software developed by the OpenSSL Project for use in the OpenSSL Toolkit.

## Printable Area

0.16 inches of the top, bottom, right and left edges (within)

## Printer Languages (Standard)

PCL 5e Emulation, PCL 6 Emulation, Personal Printer Data Stream (PPDS), PostScript 3 Emulation, PDF 1.5, xHTML

## Supplies Yield

\*Average standard page yield value declared in accordance with ISO/IEC 19752, 60,000-page Photoconductor Unit, 30,000\*-page Toner Cartridge Cartridge(s) Shipping with Product 30,000\*-page Toner Cartridge

## Packaged Size (in. - H x W x D)

38.8 x 32.7 x 32.7 in.

## Size (in. - H x W x D)

22.5 x 24.25 x 20.5 in.

## Weight (lb.)

104.4 lb.

## Noise Level, Idle

28 dBA

## Print Noise Level, Operating

57 dBA

## Product Warranty

One Year Onsite Repair

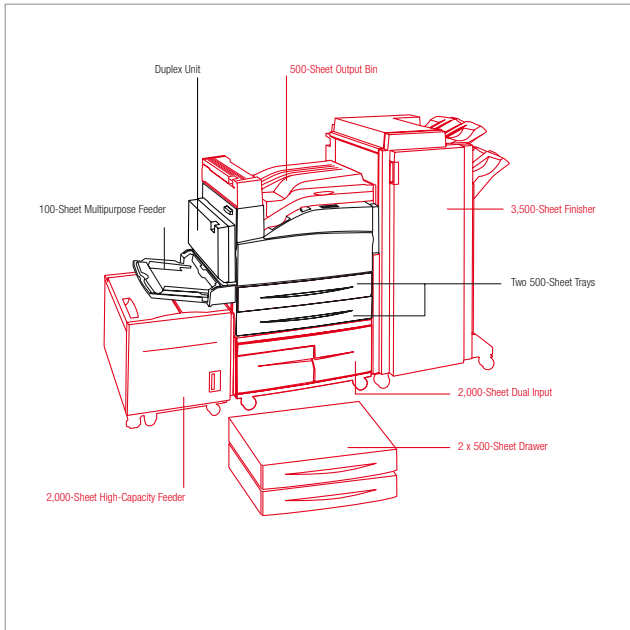
## Maximum Monthly Duty Cycle

Up to 300,000 pages per month

## Recommended Monthly Page Volume

15,000 - 59,000 pages





Paper Handling Standard  
 Paper Handling Optional

| Part #  | Model          |
|---------|----------------|
| 25A0076 | Lexmark W840dn |

| Part #  | Laser Toner/Print Cartridge |
|---------|-----------------------------|
| W84020H | W840 Toner Cartridge        |
| W84030H | W840 Photoconductor Kit     |
| 25A0013 | Staple Cartridges (3 pack)  |

| Part #  | Paper & Transparencies                |
|---------|---------------------------------------|
| 70X7240 | Laser Printer Transparencies (Letter) |

| Part #  | Paper Handling                                  |
|---------|---|
| 15R0120 | W840 2000-Sheet Dual Input                      |
| 15R0146 | W840 2 x 500-Sheet Drawer                       |
| 15R0144 | X850e, X852e, X854e, W840 Finisher (2 / 3-Hole) |
| 15R0145 | X850e, X852e, X854e, W840 High Capacity Feeder  |

| Part #  | Furniture            |
|---------|----------------------|
| 15R0140 | W840 Printer Cabinet |

| Part #  | Memory Options                |
|---------|-------------------------------|
| 13N1523 | 128MB DDR-DRAM                |
| 13N1530 | 40+ GB Hard Disk              |
| 13N1524 | 256MB DDR-DRAM                |
| 13N1526 | 512MB DDR-DRAM                |
| 1021208 | 32MB Flash Card               |
| 1021209 | 64MB Flash Card               |
| 1021243 | Japanese Font Card            |
| 1021240 | Korean Font Card              |
| 1021241 | Simplified Chinese Font Card  |
| 1021242 | Traditional Chinese Font Card |

| Part #  | Application Solutions                            |
|---------|--|
| 25A0032 | W840 Card for IPDS and SCS/Tne                   |
| 25A0036 | W840 Bar Code Card                               |
| 25A0033 | W840 Card for PRESCRIBE Emulation                |
| 25A0037 | W840 Forms Card                                  |
| 25A0034 | Lexmark Print/Cryption Card for the Lexmark W840 |

| Part #  | Connectivity                                      |
|---------|---|
| 1021294 | USB Cable (2-meter)                               |
| 1021231 | Parallel Cable (10-foot)                          |
| 1021091 | Parallel 1284-B Interface Card                    |
| 1021092 | RS-232C Serial Interface Card                     |
| 14S0240 | Coax/Twinax Adapter for SCS                       |
| 14T0145 | Lexmark N4050e 802.11g Wireless Print Server      |
| 14S0165 | MarkNet™ N8050 802.11g Wireless Print Server      |
| 14S0200 | MarkNet™ N8020 Gigabit Ethernet Print Server      |
| 14S0220 | MarkNet™ N8030 Fiber Ethernet 100BaseFX, 10BaseFL |
| 14T0220 | MarkNet™ N7020e Gigabit Ethernet Print Server     |

| Part #  | Extended Warranties                              |
|---------|--|
| 2347512 | 2-Years Total Onsite Service, Next Business Day  |
| 2347513 | 3-Years Total Onsite Service, Next Business Day  |
| 2347514 | 4-Years Total Onsite Service, Next Business Day  |
| 2347640 | 1-Year Onsite Service Renewal, Next Business Day |

| Part #  | User Replaceable Parts              |
|---------|-------------------------------------|
| 40X0956 | W840 Fuser Maintenance Kit 110-120V |



# Lexmark C540n

A great color-laser: Up to value and compact fit for your desktop

## Print Technology

Color Laser

### Print Speed (Letter, Black)

Up to 21 ppm

### Print Speed (Letter, Color)

Up to 21 ppm

### Time to First Page (Black)

As fast as 12 seconds

### Time to First Page (Color)

As fast as 13 seconds

### Print Resolution, Black

1200 x 1200 dpi, 4800 Color Quality (1200 x 600 dpi)

### Print Resolution, Color

1200 x 1200 dpi, 4800 Color Quality (1200 x 600 dpi)

### Processor

417 MHz

### Memory, Standard

128 MB

### Memory, Maximum

640 MB

### Expandable Memory Options

Yes

### Apple Macintosh Operating Systems Supported

Mac OS X, Mac OS 9.2

### Citrix MetaFrame

Microsoft Windows 2000 Server running Terminal Services with Citrix Presentation Server 3.0, 4.0, Microsoft Windows Server 2003 running Terminal Services with Citrix Presentation Server 3.0, 4.0, 4.5, Microsoft Windows Server 2003 x64 running Terminal Services with Citrix Presentation Server 4.0 x64, 4.5 x64

### Linux Operating Systems Supported

Linpus Linux Desktop 9.2, 9.3, Red Hat Enterprise Linux WS 3.0, 4.0, 5.0, SUSE Linux Enterprise Server 8.0, 9.0, 10.0, SUSE Linux Enterprise Desktop 10, openSUSE 10.2, 10.3, 11.0, Linspire Linux 6.0, Debian GNU/Linux 4.0, Red Flag Linux Desktop 5.0, 6.0, Ubuntu 7.10, Ubuntu 8.04 LTS

### Microsoft Windows Operating Systems Supported

2000, XP, Server 2003, XP x64, Server 2003 running Terminal Services, 2000 Server running Terminal Services, Server 2003 x64, Server 2003 x64 running Terminal Services, Vista, Vista x64, Server 2008, Server 2008 x64, Server 2008 running Terminal Services, Server 2008 x64 running Terminal Services

### Novell Operating Systems Supported

Open Enterprise Server for Netware with NDS, iPrint or Novell Distributed Print Services (NDPS), NetWare 5.x, 6.x with iPrint or Novell Distributed Print Services (NDPS)

### UNIX Operating Systems Supported

Sun Solaris SPARC 8, 9, 10, Sun Solaris x86 10, HP-UX 11.11, 11.23, 11.31, IBM AIX 5.2, 5.3, 6.1

### Paper Handling Standard

100-Sheet Output Bin, Single Sheet Manual Feed, 250-Sheet Input Tray

### Paper Handling Optional

550-Sheet Duo Drawer with 100-Sheet Multipurpose Feeder

### Paper Input Capacity, Standard: Up to

250+1 pages 20 lb or 75 gsm bond

### Paper Input Capacity, Maximum: Up to

900 +1 pages 20 lb or 75 gsm bond

### Paper Output Capacity, Standard: Up to

100 pages 20 lb or 75 gsm bond

### Paper Output Capacity, Maximum: Up to

100 pages 20 lb or 75 gsm bond

### Finishing Option

No

### Number of Paper Inputs, Standard

2

### Number of Paper Inputs, Maximum

4

### Media Types Supported

Card Stock, Paper Labels, Plain Paper, Transparencies, Refer to the Card Stock & Label Guide

### Media Sizes Supported

A4, A5, Executive, Folio, JIS-B5, Legal, Letter, Universal, Oficio, A6

### Standard Ports

Ethernet 10/100BaseTX (RJ-45), USB 2.0 Specification Hi-Speed Certified (Type B)

### Optional Network Ports

Lexmark N4050e 802.11g Wireless Print Server (Print Only), External MarkNet™ N7020e Gigabit Ethernet

### Network Printing Methods

LPR/LPD, Direct IP (Port 9100), Enhanced IP (Port 9400), FTP, TFTP, IPP 1.1 (Internet Printing Protocol)

### Network Protocol Support

TCP/IP IPv4, TCP/IP IPv6, TCP, UDP

### Printable Area

0.167 inches of the top, bottom, right and left edges (within)

### Printer Languages (Standard)

PCL 5c Emulation, PCL 6 Emulation, PostScript 3 Emulation

### Supplies Yield

\*Average continuous black or continuous composite CMY declared cartridge yield up to this number of standard pages in accordance with ISO/IEC 19798. 1,000\*-page color Toner Cartridges (CMY), 2,000\*-page color High Yield Toner Cartridges (CMY), 2,500\*-page Black High Yield Toner Cartridge, 1,000\*-page Black Toner Cartridge

### Cartridge(s) Shipping with Product

1,000\*-page Black Return Program Toner Cartridge, 1,000\*-page color (CMY) Return Program Toner Cartridges

### Packaged Size (in. - H x W x D)

15.8 x 23.4 x 19.4 in.

### Size (in. - H x W x D)

11.5 x 16.7 x 15.7 in.

### Weight (lb.)

46.2 lb.

### Noise Level, Idle

inaudible dBA

### Print Noise Level, Operating

47 dBA

### Product Warranty

1-Year Exchange Service, Next Business Day

### Maximum Monthly Duty Cycle

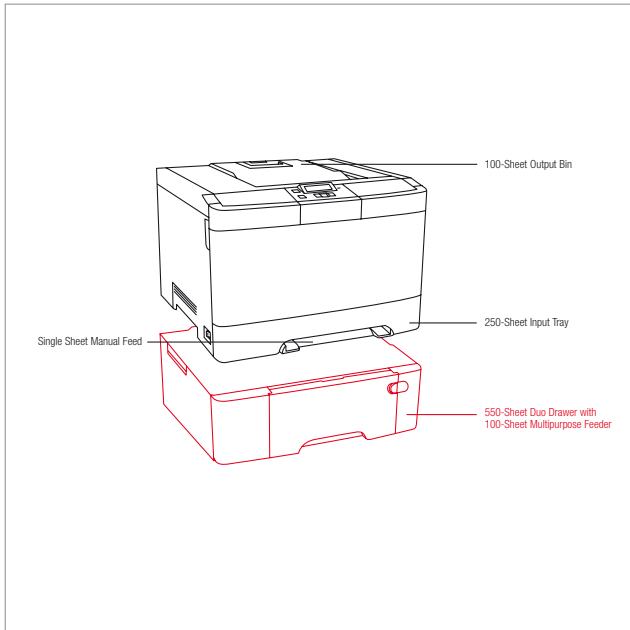
Up to 35,000 pages per month

### Recommended Monthly Page Volume

500 - 1,500 pages

### License/Agreement Terms

Printers are sold subject to certain license/agreement conditions. See [www.lexmark.com/printerlicense](http://www.lexmark.com/printerlicense) for details.



Paper Handling Standard  
 Paper Handling Optional

| Part #  | Model         |
|---------|---------------|
| 26A0000 | Lexmark C540n |

| Part #   | Laser Toner/Print Cartridge  |
|----------|--|
| C540H1KG | C540, C543, C544, X543, X544 Black High Yield Return Program Toner Cartridge   |
| C540H1CG | C540, C543, C544, X543, X544 Cyan High Yield Return Program Toner Cartridge    |
| C540H1MG | C540, C543, C544, X543, X544 Magenta High Yield Return Program Toner Cartridge |
| C540H1YG | C540, C543, C544, X543, X544 Yellow High Yield Return Program Toner Cartridge  |
| C540A1KG | C540, C543, C544, X543, X544 Black Return Program Toner Cartridge              |
| C540A1CG | C540, C543, C544, X543, X544 Cyan Return Program Toner Cartridge               |
| C540A1MG | C540, C543, C544, X543, X544 Magenta Return Program Toner Cartridge            |
| C540A1YG | C540, C543, C544, X543, X544 Yellow Return Program Toner Cartridge             |
| C540H2KG | C540, C543, C544, X543, X544 Black High Yield Toner Cartridge                  |
| C540H2CG | C540, C543, C544, X543, X544 Cyan High Yield Toner Cartridge                   |
| C540H2MG | C540, C543, C544, X543, X544 Magenta High Yield Toner Cartridge                |
| C540H2YG | C540, C543, C544, X543, X544 Yellow High Yield Toner Cartridge                 |
| C540X75G | C540, C543, C544, X543, X544 Waste Toner Bottle                                |
| C540X71G | C540, C543, C544, X543, X544 Black Imaging Kit                                 |
| C540X74G | C540, C543, C544, X543, X544 Black and Color Imaging Kit                       |

|          |   |
|----------|---|
| C540X31G | C540, C543, C544, X543, X544 Black Developer Unit   |
| C540X32G | C540, C543, C544, X543, X544 Cyan Developer Unit    |
| C540X33G | C540, C543, C544, X543, X544 Magenta Developer Unit |
| C540X34G | C540, C543, C544, X543, X544 Yellow Developer Unit  |

| Part #  | Paper & Transparencies                          |
|---------|---|
| 12A5950 | Glossy Laser Paper, Letter (200 sheets)         |
| 12A8240 | Professional Color Laser Transparencies, Letter |

| Part #  | Paper Handling  |
|---------|---|
| 3000551 | 550-Sheet Duo Drawer with 100-Sheet Multipurpose Feeder |

| Part #  | Memory Options  |
|---------|-----------------|
| 1022298 | 128MB DDR1-DRAM |
| 1022299 | 256MB DDR1-DRAM |
| 1022301 | 512MB DDR1-DRAM |

| Part #  | Connectivity                                  |
|---------|---|
| 1021294 | USB Cable (2-meter)                           |
| 14T0145 | Lexmark N4050e 802.11g Wireless Print Server  |
| 14T0220 | MarkNet™ N7020e Gigabit Ethernet Print Server |

| Part #  | Extended Warranties                                |
|---------|--|
| 2350398 | 2-Years Total Exchange Service, Next Business Day  |
| 2350399 | 3-Years Total Exchange Service, Next Business Day  |
| 2350402 | 1-Year Exchange Service Renewal, Next Business Day |
| 2350406 | Upgrade to Onsite Service, Next Business Day       |
| 2350407 | 2-Years Total Onsite Service, Next Business Day    |
| 2350408 | 3-Years Total Onsite Service, Next Business Day    |
| 2350411 | 1-Year Onsite Service Renewal, Next Business Day   |

| Part #  | User Replaceable Parts          |
|---------|---------------------------------|
| 3049484 | C540, C543, C544 Relocation Kit |



# Lexmark C543dn

Professional color with duplex printing for small workgroups

## Print Technology

Color Laser

### Print Speed (Letter, Black)

Up to 21 ppm

### Print Speed (Letter, Color)

Up to 21 ppm

### Print Speed (Letter, Black) Duplex

Up to 10 spm

### Time to First Page (Black)

As fast as 12 seconds

### Time to First Page (Color)

As fast as 13 seconds

### Print Resolution, Black

1200 x 1200 dpi, 4800 Color Quality (1200 x 600 dpi)

### Print Resolution, Color

1200 x 1200 dpi, 4800 Color Quality (1200 x 600 dpi)

### Processor

417 MHz

### Memory, Standard

128 MB

### Memory, Maximum

640 MB

### Expandable Memory Options

Yes

### Apple Macintosh Operating Systems Supported

Mac OS X, Mac OS 9.2

### Citrix MetaFrame

Microsoft Windows 2000 Server running Terminal Services with Citrix Presentation Server 3.0, 4.0, Microsoft Windows Server 2003 running Terminal Services with Citrix Presentation Server 3.0, 4.0, 4.5, Microsoft Windows Server 2003 x64 running Terminal Services with Citrix Presentation Server 4.0 x64, 4.5 x64

### Linux Operating Systems Supported

Linpus Linux Desktop 9.2, 9.3, Red Hat Enterprise Linux WS 3.0, 4.0, 5.0, SUSE Linux Enterprise Server 8.0, 9.0, 10.0, SUSE Linux Enterprise Desktop 10, openSUSE 10.2, 10.3, 11.0, Linspire Linux 6.0, Debian GNU/Linux 4.0, Red Flag Linux Desktop 5.0, 6.0, Ubuntu 7.10, Ubuntu 8.04 LTS

### Microsoft Windows Operating Systems Supported

2000, XP, Server 2003, XP x64, Server 2003 running Terminal Services, 2000 Server running Terminal Services, Server 2003 x64, Server 2003 x64 running Terminal Services, Vista, Vista x64, Server 2008, Server 2008 x64, Server 2008 running Terminal Services, Server 2008 x64 running Terminal Services

### Novell Operating Systems Supported

Open Enterprise Server for Netware with NDS, iPrint or Novell Distributed Print Services (NDPS), NetWare 5.x, 6.x with iPrint or Novell Distributed Print Services (NDPS)

### UNIX Operating Systems Supported

Sun Solaris SPARC 8, 9, 10, Sun Solaris x86 10, HP-UX 11.11, 11.23, 11.31, IBM AIX 5.2, 5.3, 6.1

### Paper Handling Standard

100-Sheet Output Bin, Integrated Duplex, Single Sheet

Manual Feed, 250-Sheet Input Tray

### Paper Handling Optional

550-Sheet Duo Drawer with 100-Sheet Multipurpose Feeder

### Paper Input Capacity, Standard: Up to

250+1 pages 20 lb or 75 gsm bond

### Paper Input Capacity, Maximum: Up to

900 +1 pages 20 lb or 75 gsm bond

### Paper Output Capacity, Standard: Up to

100 pages 20 lb or 75 gsm bond

### Paper Output Capacity, Maximum: Up to

100 pages 20 lb or 75 gsm bond

### Finishing Option

No

### Number of Paper Inputs, Standard

2

### Number of Paper Inputs, Maximum

4

### Media Types Supported

Card Stock, Paper Labels, Plain Paper, Transparencies, Refer to the Card Stock & Label Guide

### Media Sizes Supported

A4, A5, Executive, Folio, JIS-B5, Legal, Letter, Universal, Oficio, A6

### Standard Ports

Ethernet 10/100BaseTX (RJ-45), USB 2.0 Specification Hi-Speed Certified (Type B)

### Optional Network Ports

Lexmark N4050e 802.11g Wireless Print Server (Print Only), External MarkNet™ N7020e Gigabit Ethernet

### Network Printing Methods

LPR/LPD, Direct IP (Port 9100), Enhanced IP (Port 9400), FTP, TFTP, IPP 1.1 (Internet Printing Protocol)

### Network Protocol Support

TCP/IP IPv4, TCP/IP IPv6, TCP, UDP

### Printable Area

0.167 inches of the top, bottom, right and left edges (within)

### Printer Languages (Standard)

PCL 5c Emulation, PCL 6 Emulation, PostScript 3 Emulation

### Supplies Yield

\*Average continuous black or continuous composite CMY declared cartridge yield up to this number of standard pages in accordance with ISO/IEC 19798., 1,000\*-page color Toner Cartridges (CMY), 2,000\*-page color High Yield Toner Cartridges (CMY), 2,500\*-page Black High Yield Toner Cartridge, 1,000\*-page Black Toner Cartridge

### Cartridge(s) Shipping with Product

2,500\*-page Black Return Program Toner Cartridge, 2,000\*-page color (CMY) Return Program Toner Cartridges

### Packaged Size (in. - H x W x D)

15.8 x 23.4 x 19.4 in.

### Size (in. - H x W x D)

11.5 x 16.7 x 15.7 in.

### Weight (lb.)

46.2 lb.

### Noise Level, Idle

inaudible dBA

### Print Noise Level, Operating

47 dBA

### Product Warranty

1-Year Exchange Service, Next Business Day

### Maximum Monthly Duty Cycle

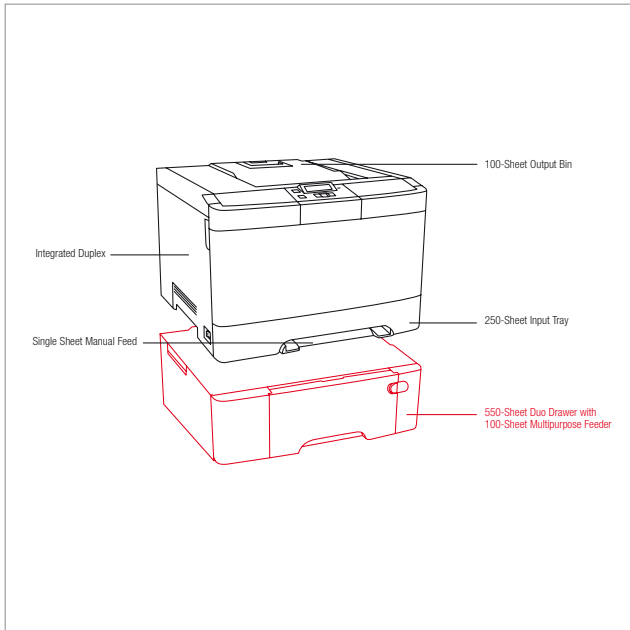
Up to 35,000 pages per month

### Recommended Monthly Page Volume

500 - 1,500 pages

### License/Agreement Terms

Printers are sold subject to certain license/agreement conditions. See [www.lexmark.com/printerlicense](http://www.lexmark.com/printerlicense) for details.



Paper Handling Standard  
 Paper Handling Optional

| Part #  | Model          |
|---------|----------------|
| 26B0000 | Lexmark C543dn |

| Part #   | Laser Toner/Print Cartridge  |
|----------|--|
| C540H1KG | C540, C543, C544, X543, X544 Black High Yield Return Program Toner Cartridge   |
| C540H1CG | C540, C543, C544, X543, X544 Cyan High Yield Return Program Toner Cartridge    |
| C540H1MG | C540, C543, C544, X543, X544 Magenta High Yield Return Program Toner Cartridge |
| C540H1YG | C540, C543, C544, X543, X544 Yellow High Yield Return Program Toner Cartridge  |
| C540A1KG | C540, C543, C544, X543, X544 Black Return Program Toner Cartridge              |
| C540A1CG | C540, C543, C544, X543, X544 Cyan Return Program Toner Cartridge               |
| C540A1MG | C540, C543, C544, X543, X544 Magenta Return Program Toner Cartridge            |
| C540A1YG | C540, C543, C544, X543, X544 Yellow Return Program Toner Cartridge             |
| C540H2KG | C540, C543, C544, X543, X544 Black High Yield Toner Cartridge                  |
| C540H2CG | C540, C543, C544, X543, X544 Cyan High Yield Toner Cartridge                   |
| C540H2MG | C540, C543, C544, X543, X544 Magenta High Yield Toner Cartridge                |
| C540H2YG | C540, C543, C544, X543, X544 Yellow High Yield Toner Cartridge                 |
| C540X75G | C540, C543, C544, X543, X544 Waste Toner Bottle                                |
| C540X71G | C540, C543, C544, X543, X544 Black Imaging Kit                                 |
| C540X74G | C540, C543, C544, X543, X544 Black and Color Imaging Kit                       |

| Part #  | Paper & Transparencies                          |
|---------|---|
| 12A5950 | Glossy Laser Paper, Letter (200 sheets)         |
| 12A8240 | Professional Color Laser Transparencies, Letter |

| Part #  | Paper Handling  |
|---------|---|
| 3000551 | 550-Sheet Duo Drawer with 100-Sheet Multipurpose Feeder |

| Part #  | Memory Options  |
|---------|-----------------|
| 1022298 | 128MB DDR1-DRAM |
| 1022299 | 256MB DDR1-DRAM |
| 1022301 | 512MB DDR1-DRAM |

| Part #  | Connectivity                                  |
|---------|---|
| 1021294 | USB Cable (2-meter)                           |
| 14T0145 | Lexmark N4050e 802.11g Wireless Print Server  |
| 14T0220 | MarkNet™ N7020e Gigabit Ethernet Print Server |

| Part #  | Extended Warranties                                |
|---------|--|
| 2350433 | 2-Years Total Exchange Service, Next Business Day  |
| 2350434 | 3-Years Total Exchange Service, Next Business Day  |
| 2350435 | 4-Years Total Exchange Service, Next Business Day  |
| 2350437 | 1-Year Exchange Service Renewal, Next Business Day |
| 2350441 | Upgrade to Onsite Service, Next Business Day       |
| 2350442 | 2-Years Total Onsite Service, Next Business Day    |
| 2350443 | 3-Years Total Onsite Service, Next Business Day    |
| 2350444 | 4-Years Total Onsite Service, Next Business Day    |

|         |  |
|---------|--|
| 2350446 | 1-Year Onsite Service Renewal, Next Business Day |
|---------|--|

| Part #   | User Replaceable Parts                              |
|----------|---|
| 3049484  | C540, C543, C544 Relocation Kit                     |
| C540X31G | C540, C543, C544, X543, X544 Black Developer Unit   |
| C540X32G | C540, C543, C544, X543, X544 Cyan Developer Unit    |
| C540X33G | C540, C543, C544, X543, X544 Magenta Developer Unit |
| C540X34G | C540, C543, C544, X543, X544 Yellow Developer Unit  |



# Lexmark C544n

Exceptional color performance for small to midsize workgroups

## Print Technology

Color Laser

### Print Speed (Letter, Black)

Up to 25 ppm

### Print Speed (Letter, Color)

Up to 25 ppm

### Time to First Page (Black)

As fast as 11 seconds

### Time to First Page (Color)

As fast as 12 seconds

### Print Resolution, Black

1200 x 1200 dpi, 4800 Color Quality (1200 x 600 dpi)

### Print Resolution, Color

1200 x 1200 dpi, 4800 Color Quality (1200 x 600 dpi)

### Processor

500 MHz

### Memory, Standard

128 MB

### Memory, Maximum

640 MB

### Expandable Memory Options

Yes

### Apple Macintosh Operating Systems Supported

Mac OS X, Mac OS 9.2

### Citrix MetaFrame

Microsoft Windows 2000 Server running Terminal Services with Citrix Presentation Server 3.0, 4.0, Microsoft Windows Server 2003 running Terminal Services with Citrix Presentation Server 3.0, 4.0, 4.5, Microsoft Windows Server 2003 x64 running Terminal Services with Citrix Presentation Server 4.0 x64, 4.5 x64

### Linux Operating Systems Supported

Linpus Linux Desktop 9.2, 9.3, Red Hat Enterprise Linux WS 3.0, 4.0, 5.0, SUSE Linux Enterprise Server 8.0, 9.0, 10.0, SUSE Linux Enterprise Desktop 10, openSUSE 10.2, 10.3, 11.0, Linspire Linux 6.0, Debian GNU/Linux 4.0, Red Flag Linux Desktop 5.0, 6.0, Ubuntu 7.10, Ubuntu 8.04 LTS

### Microsoft Windows Operating Systems Supported

2000, XP, Server 2003, XP x64, Server 2003 running Terminal Services, 2000 Server running Terminal Services, Server 2003 x64, Server 2003 x64 running Terminal Services, Vista, Vista x64, Server 2008, Server 2008 x64, Server 2008 running Terminal Services, Server 2008 x64 running Terminal Services

### Novell Operating Systems Supported

Open Enterprise Server for Netware with NDS, iPrint or Novell Distributed Print Services (NDPS), NetWare 5.x, 6.x with iPrint or Novell Distributed Print Services (NDPS)

### UNIX Operating Systems Supported

Sun Solaris SPARC 8, 9, 10, Sun Solaris x86 10, HP-UX 11.11, 11.23, 11.31, IBM AIX 5.2, 5.3, 6.1

## Paper Handling Standard

100-Sheet Output Bin, Single Sheet Manual Feed, 250-Sheet Input Tray

## Paper Handling Optional

550-Sheet Duo Drawer with 100-Sheet Multipurpose Feeder

### Paper Input Capacity, Standard: Up to

250+1 pages 20 lb or 75 gsm bond

### Paper Input Capacity, Maximum: Up to

900 +1 pages 20 lb or 75 gsm bond

### Paper Output Capacity, Standard: Up to

100 pages 20 lb or 75 gsm bond

### Paper Output Capacity, Maximum: Up to

100 pages 20 lb or 75 gsm bond

### Finishing Option

No

### Number of Paper Inputs, Standard

2

### Number of Paper Inputs, Maximum

4

### Media Types Supported

Card Stock, Paper Labels, Plain Paper, Transparencies, Refer to the Card Stock & Label Guide

### Media Sizes Supported

A4, A5, Executive, Folio, JIS-B5, Legal, Letter, Universal, Oficio, A6

## Standard Ports

Ethernet 10/100BaseTX (RJ-45), USB 2.0 Specification Hi-Speed Certified (Type B), PictBridge Certified Port, Front USB Port Compatible with USB 2.0 Specification (Type A)

## Optional Network Ports

Lexmark N4050e 802.11g Wireless Print Server (Print Only), External MarkNet™ N7020e Gigabit Ethernet

## Network Printing Methods

LPR/LPD, Direct IP (Port 9100), Enhanced IP (Port 9400), FTP, TFTP, IPP 1.1 (Internet Printing Protocol)

## Network Protocol Support

TCP/IP IPv4, AppleTalk™, TCP/IP IPv6, TCP, UDP

## Printable Area

0.167 inches of the top, bottom, right and left edges (within)

## Printer Languages (Standard)

PCL 5c Emulation, PCL 6 Emulation, Personal Printer Data Stream (PPDS), PostScript 3 Emulation, PDF 1.6, Direct Image

## Supplies Yield

\*Average continuous black or continuous composite CMY declared cartridge yield up to this number of standard pages in accordance with ISO/IEC 19798., 1,000\*-page color Toner Cartridges (CMY), 2,000\*-page color High Yield Toner Cartridges (CMY), 4,000\*-page color Extra High Yield Toner Cartridges (CMY), 2,500\*-page Black High Yield Toner Cartridge, 6,000\*-page Black Extra High Yield Toner Cartridge, 1,000\*-page Black Toner Cartridge

## Cartridge(s) Shipping with Product

2,500\*-page Black Return Program Toner Cartridge,

2,000\*-page color (CMY) Return Program Toner Cartridges

### Packaged Size (in. - H x W x D)

15.8 x 23.4 x 19.4 in.

### Size (in. - H x W x D)

11.5 x 16.7 x 15.7 in.

### Weight (lb.)

46.2 lb.

### Noise Level, Idle

inaudible dBA

### Print Noise Level, Operating

49 dBA

### Product Warranty

1-Year Exchange Service, Next Business Day

### Maximum Monthly Duty Cycle

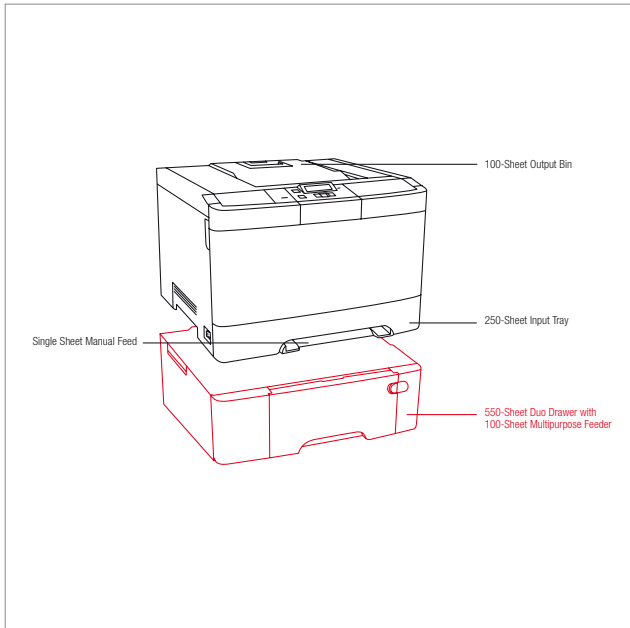
Up to 55,000 pages per month

### Recommended Monthly Page Volume

800 - 3,000 pages

### License/Agreement Terms

Printers are sold subject to certain license/agreement conditions. See [www.lexmark.com/printerlicense](http://www.lexmark.com/printerlicense) for details.



Paper Handling Standard  
 Paper Handling Optional

| Part #  | Model         |
|---------|---------------|
| 26C0050 | Lexmark C544n |

| Part #   | Laser Toner/Print Cartridge  |
|----------|--|
| C544X1KG | C544, X544 Black Extra High Yield Return Program Toner Cartridge               |
| C544X1CG | C544, X544 Cyan Extra High Yield Return Program Toner Cartridge                |
| C544X1MG | C544, X544 Magenta Extra High Yield Return Program Toner Cartridge             |
| C544X1YG | C544, X544 Yellow Extra High Yield Return Program Toner Cartridge              |
| C540H1KG | C540, C543, C544, X543, X544 Black High Yield Return Program Toner Cartridge   |
| C540H1CG | C540, C543, C544, X543, X544 Cyan High Yield Return Program Toner Cartridge    |
| C540H1MG | C540, C543, C544, X543, X544 Magenta High Yield Return Program Toner Cartridge |
| C540H1YG | C540, C543, C544, X543, X544 Yellow High Yield Return Program Toner Cartridge  |
| C540A1KG | C540, C543, C544, X543, X544 Black Return Program Toner Cartridge              |
| C540A1CG | C540, C543, C544, X543, X544 Cyan Return Program Toner Cartridge               |
| C540A1MG | C540, C543, C544, X543, X544 Magenta Return Program Toner Cartridge            |
| C540A1YG | C540, C543, C544, X543, X544 Yellow Return Program Toner Cartridge             |
| C544X2KG | C544, X544 Black Extra High Yield Toner Cartridge                              |
| C544X2CG | C544, X544 Cyan Extra High Yield Toner Cartridge                               |
| C544X2MG | C544, X544 Magenta Extra High Yield Toner Cartridge                            |
| C544X2YG | C544, X544 Yellow Extra High Yield Toner Cartridge                             |
| C540H2KG | C540, C543, C544, X543, X544 Black High Yield Toner Cartridge                  |
| C540H2CG | C540, C543, C544, X543, X544 Cyan High Yield Toner Cartridge                   |
| C540H2MG | C540, C543, C544, X543, X544 Magenta High Yield Toner Cartridge                |
| C540H2YG | C540, C543, C544, X543, X544 Yellow High Yield Toner Cartridge                 |
| C540X75G | C540, C543, C544, X543, X544 Waste Toner Bottle                                |
| C540X71G | C540, C543, C544, X543, X544 Black Imaging Kit                                 |
| C540X74G | C540, C543, C544, X543, X544 Black and Color Imaging Kit                       |

| Part #  | Paper & Transparencies                          |
|---------|---|
| 12A5950 | Glossy Laser Paper, Letter (200 sheets)         |
| 12A8240 | Professional Color Laser Transparencies, Letter |

| Part #  | Paper Handling  |
|---------|---|
| 3000551 | 550-Sheet Duo Drawer with 100-Sheet Multipurpose Feeder |

| Part #  | Memory Options                |
|---------|-------------------------------|
| 1022298 | 128MB DDR1-DRAM               |
| 1022299 | 256MB DDR1-DRAM               |
| 1022301 | 512MB DDR1-DRAM               |
| 1021209 | 64MB Flash Card               |
| 30G0828 | Japanese Font Card            |
| 30G0825 | Korean Font Card              |
| 30G0826 | Simplified Chinese Font Card  |
| 30G0827 | Traditional Chinese Font Card |

| Part #  | Connectivity        |
|---------|---------------------|
| 1021294 | USB Cable (2-meter) |

|         |   |
|---------|---|
| 14T0145 | Lexmark N4050e 802.11g Wireless Print Server  |
| 14T0220 | MarkNet™ N7020e Gigabit Ethernet Print Server |

| Part #  | Extended Warranties                                |
|---------|--|
| 2350468 | 2-Years Total Exchange Service, Next Business Day  |
| 2350469 | 3-Years Total Exchange Service, Next Business Day  |
| 2350470 | 4-Years Total Exchange Service, Next Business Day  |
| 2350472 | 1-Year Exchange Service Renewal, Next Business Day |
| 2350476 | Upgrade to Onsite Service, Next Business Day       |
| 2350477 | 2-Years Total Onsite Service, Next Business Day    |
| 2350478 | 3-Years Total Onsite Service, Next Business Day    |
| 2350479 | 4-Years Total Onsite Service, Next Business Day    |
| 2350481 | 1-Year Onsite Service Renewal, Next Business Day   |

| Part #   | User Replaceable Parts                              |
|----------|---|
| 3049484  | C540, C543, C544 Relocation Kit                     |
| C540X31G | C540, C543, C544, X543, X544 Black Developer Unit   |
| C540X32G | C540, C543, C544, X543, X544 Cyan Developer Unit    |
| C540X33G | C540, C543, C544, X543, X544 Magenta Developer Unit |
| C540X34G | C540, C543, C544, X543, X544 Yellow Developer Unit  |



# Lexmark C544dn

Outstanding network color with duplex printing for midsize workgroups

## Print Technology

Color Laser

### Print Speed (Letter, Black)

Up to 25 ppm

### Print Speed (Letter, Color)

Up to 25 ppm

### Print Speed (Letter, Black) Duplex

Up to 12 spm

### Time to First Page (Black)

As fast as 11 seconds

### Time to First Page (Color)

As fast as 12 seconds

### Print Resolution, Black

1200 x 1200 dpi, 4800 Color Quality (1200 x 600 dpi)

### Print Resolution, Color

1200 x 1200 dpi, 4800 Color Quality (1200 x 600 dpi)

## Processor

500 MHz

### Memory, Standard

128 MB

### Memory, Maximum

640 MB

### Expandable Memory Options

Yes

### Apple Macintosh Operating Systems Supported

Mac OS X, Mac OS 9.2

### Citrix MetaFrame

Microsoft Windows 2000 Server running Terminal Services with Citrix Presentation Server 3.0, 4.0, Microsoft Windows Server 2003 running Terminal Services with Citrix Presentation Server 3.0, 4.0, 4.5, Microsoft Windows Server 2003 x64 running Terminal Services with Citrix Presentation Server 4.0 x64, 4.5 x64

### Linux Operating Systems Supported

Linpus Linux Desktop 9.2, 9.3, Red Hat Enterprise Linux WS 3.0, 4.0, 5.0, SUSE Linux Enterprise Server 8.0, 9.0, 10.0, SUSE Linux Enterprise Desktop 10, openSUSE 10.2, 10.3, 11.0, Linspire Linux 6.0, Debian GNU/Linux 4.0, Red Flag Linux Desktop 5.0, 6.0, Ubuntu 7.10, Ubuntu 8.04 LTS

### Microsoft Windows Operating Systems Supported

2000, XP, Server 2003, XP x64, Server 2003 running Terminal Services, 2000 Server running Terminal Services, Server 2003 x64, Server 2003 x64 running Terminal Services, Vista, Vista x64, Server 2008, Server 2008 x64, Server 2008 running Terminal Services, Server 2008 x64 running Terminal Services

### Novell Operating Systems Supported

Open Enterprise Server for Netware with NDS, iPrint or Novell Distributed Print Services (NDPS), NetWare 5.x, 6.x with iPrint or Novell Distributed Print Services (NDPS)

### UNIX Operating Systems Supported

Sun Solaris SPARC 8, 9, 10, Sun Solaris x86 10, HP-UX 11.11, 11.23, 11.31, IBM AIX 5.2, 5.3, 6.1

### Paper Handling Standard

100-Sheet Output Bin, Integrated Duplex, Single Sheet

Manual Feed, 250-Sheet Input Tray

### Paper Handling Optional

550-Sheet Duo Drawer with 100-Sheet Multipurpose Feeder

### Paper Input Capacity, Standard: Up to

250+1 pages 20 lb or 75 gsm bond

### Paper Input Capacity, Maximum: Up to

900 +1 pages 20 lb or 75 gsm bond

### Paper Output Capacity, Standard: Up to

100 pages 20 lb or 75 gsm bond

### Paper Output Capacity, Maximum: Up to

100 pages 20 lb or 75 gsm bond

### Finishing Option

No

### Number of Paper Inputs, Standard

2

### Number of Paper Inputs, Maximum

4

### Media Types Supported

Card Stock, Paper Labels, Plain Paper, Transparencies, Refer to the Card Stock & Label Guide

### Media Sizes Supported

A4, A5, Executive, Folio, JIS-B5, Legal, Letter, Universal, Office, A6

### Standard Ports

Ethernet 10/100BaseTX (RJ-45), USB 2.0 Specification Hi-Speed Certified (Type B), PictBridge Certified Port, Front USB Port Compatible with USB 2.0 Specification (Type A)

### Optional Network Ports

Lexmark N4050e 802.11g Wireless Print Server (Print Only), External MarkNet™ N7020e Gigabit Ethernet

### Network Printing Methods

LPR/LPD, Direct IP (Port 9100), Enhanced IP (Port 9400), FTP, TFTP, IPP 1.1 (Internet Printing Protocol)

### Network Protocol Support

TCP/IP IPv4, AppleTalk™, TCP/IP IPv6, TCP, UDP

### Printable Area

0.167 inches of the top, bottom, right and left edges (within)

### Printer Languages (Standard)

PCL 5c Emulation, PCL 6 Emulation, Personal Printer Data Stream (PPDS), PostScript 3 Emulation, PDF 1.6, Direct Image

### Supplies Yield

\*Average continuous black or continuous composite CMY declared cartridge yield up to this number of standard pages in accordance with ISO/IEC 19798., 1,000\*-page color Toner Cartridges (CMY), 2,000\*-page color High Yield Toner Cartridges (CMY), 4,000\*-page color Extra High Yield Toner Cartridges (CMY), 2,500\*-page Black High Yield Toner Cartridge, 6,000\*-page Black Extra High Yield Toner Cartridge, 1,000\*-page Black Toner Cartridge

### Cartridge(s) Shipping with Product

2,500\*-page Black Return Program Toner Cartridge, 2,000\*-page color (CMY) Return Program Toner Cartridges

### Packaged Size (in. - H x W x D)

15.8 x 23.4 x 19.4 in.

### Size (in. - H x W x D)

11.5 x 16.7 x 15.7 in.

### Weight (lb.)

46.2 lb.

### Noise Level, Idle

inaudible dBA

### Print Noise Level, Operating

49 dBA

### Product Warranty

1-Year Exchange Service, Next Business Day

### Maximum Monthly Duty Cycle

Up to 55,000 pages per month

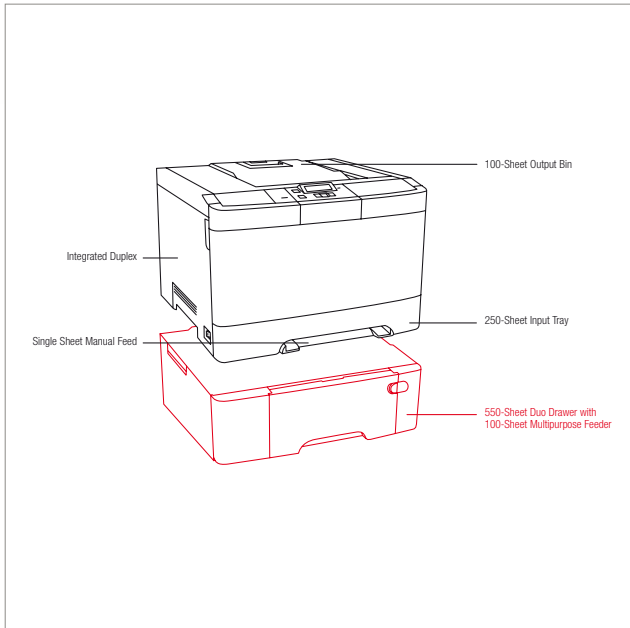
### Recommended Monthly Page Volume

800 - 3,000 pages

### License/Agreement Terms

Printers are sold subject to certain license/agreement conditions. See [www.lexmark.com/printerlicense](http://www.lexmark.com/printerlicense) for details.





Paper Handling Standard  
 Paper Handling Optional

| Part #  | Model          |
|---------|----------------|
| 26C0000 | Lexmark C544dn |

| Part #   | Laser Toner/Print Cartridge  |
|----------|--|
| C544X1KG | C544, X544 Black Extra High Yield Return Program Toner Cartridge               |
| C544X1CG | C544, X544 Cyan Extra High Yield Return Program Toner Cartridge                |
| C544X1MG | C544, X544 Magenta Extra High Yield Return Program Toner Cartridge             |
| C544X1YG | C544, X544 Yellow Extra High Yield Return Program Toner Cartridge              |
| C540H1KG | C540, C543, C544, X543, X544 Black High Yield Return Program Toner Cartridge   |
| C540H1CG | C540, C543, C544, X543, X544 Cyan High Yield Return Program Toner Cartridge    |
| C540H1MG | C540, C543, C544, X543, X544 Magenta High Yield Return Program Toner Cartridge |
| C540H1YG | C540, C543, C544, X543, X544 Yellow High Yield Return Program Toner Cartridge  |
| C540A1KG | C540, C543, C544, X543, X544 Black Return Program Toner Cartridge              |
| C540A1CG | C540, C543, C544, X543, X544 Cyan Return Program Toner Cartridge               |
| C540A1MG | C540, C543, C544, X543, X544 Magenta Return Program Toner Cartridge            |
| C540A1YG | C540, C543, C544, X543, X544 Yellow Return Program Toner Cartridge             |
| C544X2KG | C544, X544 Black Extra High Yield Toner Cartridge                              |
| C544X2CG | C544, X544 Cyan Extra High Yield Toner Cartridge                               |
| C544X2MG | C544, X544 Magenta Extra High Yield Toner Cartridge                            |
| C544X2YG | C544, X544 Yellow Extra High Yield Toner Cartridge                             |
| C540H2KG | C540, C543, C544, X543, X544 Black High Yield Toner Cartridge                  |
| C540H2CG | C540, C543, C544, X543, X544 Cyan High Yield Toner Cartridge                   |
| C540H2MG | C540, C543, C544, X543, X544 Magenta High Yield Toner Cartridge                |
| C540H2YG | C540, C543, C544, X543, X544 Yellow High Yield Toner Cartridge                 |
| C540X75G | C540, C543, C544, X543, X544 Waste Toner Bottle                                |
| C540X71G | C540, C543, C544, X543, X544 Black Imaging Kit                                 |
| C540X74G | C540, C543, C544, X543, X544 Black and Color Imaging Kit                       |

| Part #  | Paper & Transparencies                          |
|---------|---|
| 12A5950 | Glossy Laser Paper, Letter (200 sheets)         |
| 12A8240 | Professional Color Laser Transparencies, Letter |

| Part #  | Paper Handling  |
|---------|---|
| 3000551 | 550-Sheet Duo Drawer with 100-Sheet Multipurpose Feeder |

| Part #  | Memory Options                |
|---------|-------------------------------|
| 1022298 | 128MB DDR1-DRAM               |
| 1022299 | 256MB DDR1-DRAM               |
| 1022301 | 512MB DDR1-DRAM               |
| 1021209 | 64MB Flash Card               |
| 30G0828 | Japanese Font Card            |
| 30G0825 | Korean Font Card              |
| 30G0826 | Simplified Chinese Font Card  |
| 30G0827 | Traditional Chinese Font Card |

| Part #  | Connectivity        |
|---------|---------------------|
| 1021294 | USB Cable (2-meter) |

|         |   |
|---------|---|
| 14T0145 | Lexmark N4050e 802.11g Wireless Print Server  |
| 14T0220 | MarkNet™ N7020e Gigabit Ethernet Print Server |

| Part #  | Extended Warranties                                |
|---------|--|
| 2350468 | 2-Years Total Exchange Service, Next Business Day  |
| 2350469 | 3-Years Total Exchange Service, Next Business Day  |
| 2350470 | 4-Years Total Exchange Service, Next Business Day  |
| 2350472 | 1-Year Exchange Service Renewal, Next Business Day |
| 2350476 | Upgrade to Onsite Service, Next Business Day       |
| 2350477 | 2-Years Total Onsite Service, Next Business Day    |
| 2350478 | 3-Years Total Onsite Service, Next Business Day    |
| 2350479 | 4-Years Total Onsite Service, Next Business Day    |
| 2350481 | 1-Year Onsite Service Renewal, Next Business Day   |

| Part #   | User Replaceable Parts                              |
|----------|---|
| 3049484  | C540, C543, C544 Relocation Kit                     |
| C540X31G | C540, C543, C544, X543, X544 Black Developer Unit   |
| C540X32G | C540, C543, C544, X543, X544 Cyan Developer Unit    |
| C540X33G | C540, C543, C544, X543, X544 Magenta Developer Unit |
| C540X34G | C540, C543, C544, X543, X544 Yellow Developer Unit  |

# Lexmark C544dw



Outstanding color, duplex and the freedom of wireless for midsize workgroups

## Print Technology

Color Laser

### Print Speed (Letter, Black)

Up to 25 ppm

### Print Speed (Letter, Color)

Up to 25 ppm

### Print Speed (Letter, Black) Duplex

Up to 12 spm

### Time to First Page (Black)

As fast as 11 seconds

### Time to First Page (Color)

As fast as 12 seconds

### Print Resolution, Black

1200 x 1200 dpi, 4800 Color Quality (1200 x 600 dpi)

### Print Resolution, Color

1200 x 1200 dpi, 4800 Color Quality (1200 x 600 dpi)

### Processor

500 MHz

### Memory, Standard

128 MB

### Memory, Maximum

640 MB

### Expandable Memory Options

Yes

### Apple Macintosh Operating Systems Supported

Mac OS X, Mac OS 9.2

### Citrix MetaFrame

Microsoft Windows 2000 Server running Terminal Services with Citrix Presentation Server 3.0, 4.0, Microsoft Windows Server 2003 running Terminal Services with Citrix Presentation Server 3.0, 4.0, 4.5, Microsoft Windows Server 2003 x64 running Terminal Services with Citrix Presentation Server 4.0 x64, 4.5 x64

### LINUX Operating Systems Supported

Linux Linux Desktop 9.2, 9.3, Red Hat Enterprise Linux WS 3.0, 4.0, 5.0, SUSE Linux Enterprise Server 8.0, 9.0, 10.0, SUSE Linux Enterprise Desktop 10, openSUSE 10.2, 10.3, 11.0, Linspire Linux 6.0, Debian GNU/Linux 4.0, Red Flag Linux Desktop 5.0, 6.0, Ubuntu 7.10, Ubuntu 8.04 LTS

### Microsoft Windows Operating Systems Supported

2000, XP, Server 2003, XP x64, Server 2003 running Terminal Services, 2000 Server running Terminal Services, Server 2003 x64, Server 2003 x64 running Terminal Services, Vista, Vista x64, Server 2008, Server 2008 x64, Server 2008 running Terminal Services, Server 2008 x64 running Terminal Services

### Novell Operating Systems Supported

Open Enterprise Server for Netware with NDS, iPrint or Novell Distributed Print Services (NDPS), NetWare 5.x, 6.x with iPrint or Novell Distributed Print Services (NDPS)

### UNIX Operating Systems Supported

Sun Solaris SPARC 8, 9, 10, Sun Solaris x86 10, HP-UX 11.11, 11.23, 11.31, IBM AIX 5.2, 5.3, 6.1

### Paper Handling Standard

100-Sheet Output Bin, Integrated Duplex, Single Sheet

Manual Feed, 250-Sheet Input Tray

### Paper Handling Optional

550-Sheet Duo Drawer with 100-Sheet Multipurpose Feeder

### Paper Input Capacity, Standard: Up to

250+1 pages 20 lb or 75 gsm bond

### Paper Input Capacity, Maximum: Up to

900 +1 pages 20 lb or 75 gsm bond

### Paper Output Capacity, Standard: Up to

100 pages 20 lb or 75 gsm bond

### Paper Output Capacity, Maximum: Up to

100 pages 20 lb or 75 gsm bond

### Finishing Option

No

### Number of Paper Inputs, Standard

2

### Number of Paper Inputs, Maximum

4

### Media Types Supported

Card Stock, Paper Labels, Plain Paper, Transparencies, Refer to the Card Stock & Label Guide

### Media Sizes Supported

A4, A5, Executive, Folio, JIS-B5, Legal, Letter, Universal, Oficio, A6

### Standard Ports

Ethernet 10/100BaseTX (RJ-45), USB 2.0 Specification Hi-Speed Certified (Type B), PictBridge Certified Port, 802.11b/g/n Wireless, Front USB Port Compatible with USB 2.0 Specification (Type A)

### Optional Network Ports

External MarkNet™ N7020e Gigabit Ethernet

### Network Printing Methods

LPR/LPD, Direct IP (Port 9100), Enhanced IP (Port 9400), FTP, TFTP, IPP 1.1 (Internet Printing Protocol)

### Network Protocol Support

TCP/IP IPv4, AppleTalk™, TCP/IP IPv6, TCP, UDP

### Printable Area

0.167 inches of the top, bottom, right and left edges (within)

### Printer Languages (Standard)

PCL 5c Emulation, PCL 6 Emulation, Personal Printer Data Stream (PPDS), PostScript 3 Emulation, PDF 1.6, Direct Image

### Supplies Yield

\*Average continuous black or continuous composite CMY declared cartridge yield up to this number of standard pages in accordance with ISO/IEC 19798., 1,000\*-page color Toner Cartridges (CMY), 2,000\*-page color High Yield Toner Cartridges (CMY), 4,000\*-page color Extra High Yield Toner Cartridges (CMY), 2,500\*-page Black High Yield Toner Cartridge, 6,000\*-page Black Extra High Yield Toner Cartridge, 1,000\*-page Black Toner Cartridge

### Cartridge(s) Shipping with Product

2,500\*-page Black Return Program Toner Cartridge,

2,000\*-page color (CMY) Return Program Toner Cartridges

### Packaged Size (in. - H x W x D)

15.8 x 23.4 x 19.4 in.

### Size (in. - H x W x D)

11.5 x 16.7 x 15.7 in.

### Weight (lb.)

46.2 lb.

### Noise Level, Idle

inaudible dBA

### Print Noise Level, Operating

49 dBA

### Product Warranty

1-Year Exchange Service, Next Business Day

### Maximum Monthly Duty Cycle

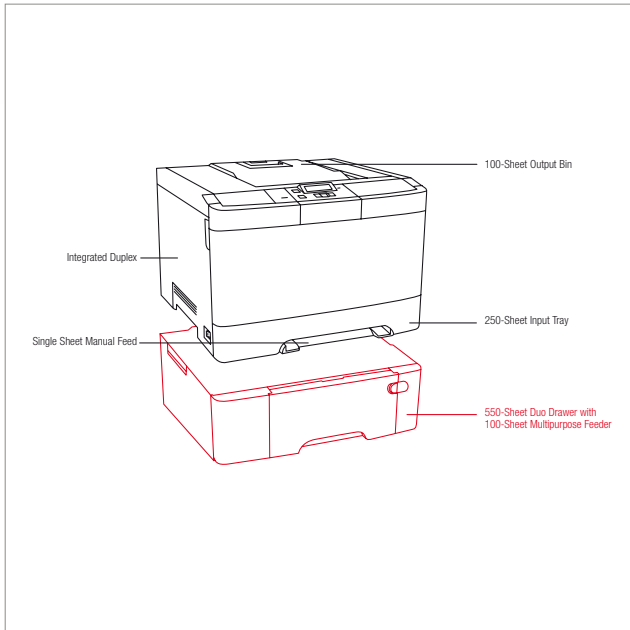
Up to 55,000 pages per month

### Recommended Monthly Page Volume

800 - 3,000 pages

### License/Agreement Terms

Printers are sold subject to certain license/agreement conditions. See [www.lexmark.com/printerlicense](http://www.lexmark.com/printerlicense) for details.



Paper Handling Standard  
 Paper Handling Optional

| Part #  | Model          |
|---------|----------------|
| 26C0150 | Lexmark C544dw |

| Part #   | Laser Toner/Print Cartridge  |
|----------|--|
| C544X1KG | C544, X544 Black Extra High Yield Return Program Toner Cartridge               |
| C544X1CG | C544, X544 Cyan Extra High Yield Return Program Toner Cartridge                |
| C544X1MG | C544, X544 Magenta Extra High Yield Return Program Toner Cartridge             |
| C544X1YG | C544, X544 Yellow Extra High Yield Return Program Toner Cartridge              |
| C540H1KG | C540, C543, C544, X543, X544 Black High Yield Return Program Toner Cartridge   |
| C540H1CG | C540, C543, C544, X543, X544 Cyan High Yield Return Program Toner Cartridge    |
| C540H1MG | C540, C543, C544, X543, X544 Magenta High Yield Return Program Toner Cartridge |
| C540H1YG | C540, C543, C544, X543, X544 Yellow High Yield Return Program Toner Cartridge  |
| C540A1KG | C540, C543, C544, X543, X544 Black Return Program Toner Cartridge              |
| C540A1CG | C540, C543, C544, X543, X544 Cyan Return Program Toner Cartridge               |
| C540A1MG | C540, C543, C544, X543, X544 Magenta Return Program Toner Cartridge            |
| C540A1YG | C540, C543, C544, X543, X544 Yellow Return Program Toner Cartridge             |
| C544X2KG | C544, X544 Black Extra High Yield Toner Cartridge                              |
| C544X2CG | C544, X544 Cyan Extra High Yield Toner Cartridge                               |
| C544X2MG | C544, X544 Magenta Extra High Yield Toner Cartridge                            |
| C544X2YG | C544, X544 Yellow Extra High Yield Toner Cartridge                             |
| C540H2KG | C540, C543, C544, X543, X544 Black High Yield Toner Cartridge                  |
| C540H2CG | C540, C543, C544, X543, X544 Cyan High Yield Toner Cartridge                   |
| C540H2MG | C540, C543, C544, X543, X544 Magenta High Yield Toner Cartridge                |
| C540H2YG | C540, C543, C544, X543, X544 Yellow High Yield Toner Cartridge                 |
| C540X75G | C540, C543, C544, X543, X544 Waste Toner Bottle                                |
| C540X71G | C540, C543, C544, X543, X544 Black Imaging Kit                                 |
| C540X74G | C540, C543, C544, X543, X544 Black and Color Imaging Kit                       |

| Part #  | Paper & Transparencies                          |
|---------|---|
| 12A5950 | Glossy Laser Paper, Letter (200 sheets)         |
| 12A8240 | Professional Color Laser Transparencies, Letter |

| Part #  | Paper Handling  |
|---------|---|
| 3000551 | 550-Sheet Duo Drawer with 100-Sheet Multipurpose Feeder |

| Part #  | Memory Options                |
|---------|-------------------------------|
| 1022298 | 128MB DDR1-DRAM               |
| 1022299 | 256MB DDR1-DRAM               |
| 1022301 | 512MB DDR1-DRAM               |
| 1021209 | 64MB Flash Card               |
| 30G0828 | Japanese Font Card            |
| 30G0825 | Korean Font Card              |
| 30G0826 | Simplified Chinese Font Card  |
| 30G0827 | Traditional Chinese Font Card |

| Part #  | Connectivity        |
|---------|---------------------|
| 1021294 | USB Cable (2-meter) |

|         |   |
|---------|---|
| 14T0220 | MarkNet™ N7020e Gigabit Ethernet Print Server |
|---------|---|

| Part #  | Extended Warranties                                |
|---------|--|
| 2350468 | 2-Years Total Exchange Service, Next Business Day  |
| 2350469 | 3-Years Total Exchange Service, Next Business Day  |
| 2350470 | 4-Years Total Exchange Service, Next Business Day  |
| 2350472 | 1-Year Exchange Service Renewal, Next Business Day |
| 2350476 | Upgrade to Onsite Service, Next Business Day       |
| 2350477 | 2-Years Total Onsite Service, Next Business Day    |
| 2350478 | 3-Years Total Onsite Service, Next Business Day    |
| 2350479 | 4-Years Total Onsite Service, Next Business Day    |
| 2350481 | 1-Year Onsite Service Renewal, Next Business Day   |

| Part #   | User Replaceable Parts                              |
|----------|---|
| 3049484  | C540, C543, C544 Relocation Kit                     |
| C540X31G | C540, C543, C544, X543, X544 Black Developer Unit   |
| C540X32G | C540, C543, C544, X543, X544 Cyan Developer Unit    |
| C540X33G | C540, C543, C544, X543, X544 Magenta Developer Unit |
| C540X34G | C540, C543, C544, X543, X544 Yellow Developer Unit  |



# Lexmark C544dtn

Outstanding network color with duplex and 900-sheet input capacity for midsize workgroups

## Print Technology

Color Laser

### Print Speed (Letter, Black)

Up to 25 ppm

### Print Speed (Letter, Color)

Up to 25 ppm

### Print Speed (Letter, Black) Duplex

Up to 12 spm

### Time to First Page (Black)

As fast as 11 seconds

### Time to First Page (Color)

As fast as 12 seconds

### Print Resolution, Black

1200 x 1200 dpi, 4800 Color Quality (1200 x 600 dpi)

### Print Resolution, Color

1200 x 1200 dpi, 4800 Color Quality (1200 x 600 dpi)

## Processor

500 MHz

### Memory, Standard

128 MB

### Memory, Maximum

640 MB

### Expandable Memory Options

Yes

### Apple Macintosh Operating Systems Supported

Mac OS X, Mac OS 9.2

### Citrix MetaFrame

Microsoft Windows 2000 Server running Terminal Services with Citrix Presentation Server 3.0, 4.0, Microsoft Windows Server 2003 running Terminal Services with Citrix Presentation Server 3.0, 4.0, 4.5, Microsoft Windows Server 2003 x64 running Terminal Services with Citrix Presentation Server 4.0 x64, 4.5 x64

### Linux Operating Systems Supported

Linpus Linux Desktop 9.2, 9.3, Red Hat Enterprise Linux WS 3.0, 4.0, 5.0, SUSE Linux Enterprise Server 8.0, 9.0, 10.0, SUSE Linux Enterprise Desktop 10, openSUSE 10.2, 10.3, 11.0, Linspire Linux 6.0, Debian GNU/Linux 4.0, Red Flag Linux Desktop 5.0, 6.0, Ubuntu 7.10, Ubuntu 8.04 LTS

### Microsoft Windows Operating Systems Supported

2000, XP, Server 2003, XP x64, Server 2003 running Terminal Services, 2000 Server running Terminal Services, Server 2003 x64, Server 2003 x64 running Terminal Services, Vista, Vista x64, Server 2008, Server 2008 x64, Server 2008 running Terminal Services, Server 2008 x64 running Terminal Services

### Novell Operating Systems Supported

Open Enterprise Server for Netware with NDS, iPrint or Novell Distributed Print Services (NDPS), NetWare 5.x, 6.x with iPrint or Novell Distributed Print Services (NDPS)

### UNIX Operating Systems Supported

Sun Solaris SPARC 8, 9, 10, Sun Solaris x86 10, HP-UX 11.11, 11.23, 11.31, IBM AIX 5.2, 5.3, 6.1

### Paper Handling Standard

100-Sheet Output Bin, Integrated Duplex, Single Sheet

Manual Feed, 250-Sheet Input Tray, 550-Sheet Duo Drawer with 100-Sheet Feeder

### Paper Input Capacity, Standard: Up to

900+1 pages 20 lb or 75 gsm bond

### Paper Input Capacity, Maximum: Up to

900+1 pages 20 lb or 75 gsm bond

### Paper Output Capacity, Standard: Up to

100 pages 20 lb or 75 gsm bond

### Paper Output Capacity, Maximum: Up to

100 pages 20 lb or 75 gsm bond

### Finishing Option

No

### Number of Paper Inputs, Standard

4

### Number of Paper Inputs, Maximum

4

### Media Types Supported

Card Stock, Paper Labels, Plain Paper, Transparencies, Refer to the Card Stock & Label Guide

### Media Sizes Supported

A4, A5, Executive, Folio, JIS-B5, Legal, Letter, Statement, Universal, Oficio, A6

### Standard Ports

Ethernet 10/100BaseTX (RJ-45), USB 2.0 Specification Hi-Speed Certified (Type B), PictBridge Certified Port, Front USB Port Compatible with USB 2.0 Specification (Type A)

### Optional Network Ports

Lexmark N4050e 802.11g Wireless Print Server (Print Only), External MarkNet™ N7020e Gigabit Ethernet

### Network Printing Methods

LPR/LPD, Direct IP (Port 9100), Enhanced IP (Port 9400), FTP, TFTP, IPP 1.1 (Internet Printing Protocol)

### Network Protocol Support

TCP/IP IPv4, AppleTalk™, TCP/IP IPv6, TCP, UDP

### Printable Area

0.167 inches of the top, bottom, right and left edges (within)

### Printer Languages (Standard)

PCL 5c Emulation, PCL 6 Emulation, Personal Printer Data Stream (PPDS), PostScript 3 Emulation, PDF 1.6, Direct Image

### Supplies Yield

\*Average continuous black or continuous composite CMY declared cartridge yield up to this number of standard pages in accordance with ISO/IEC 19798. 1,000\*-page color Toner Cartridges (CMY), 2,000\*-page color High Yield Toner Cartridges (CMY), 4,000\*-page color Extra High Yield Toner Cartridges (CMY), 2,500\*-page Black High Yield Toner Cartridge, 6,000\*-page Black Extra High Yield Toner Cartridge, 1,000\*-page Black Toner Cartridge  
**Cartridge(s) Shipping with Product**  
2,500\*-page Black Return Program Toner Cartridge, 2,000\*-page color (CMY) Return Program Toner

## Cartridges

### Packaged Size (in. - H x W x D)

26.3 x 24.6 x 20.9 in.

### Size (in. - H x W x D)

16.6 x 16.7 x 16.4 in.

### Weight (lb.)

54.9 lb.

### Noise Level, Idle

Inaudible dBA

### Print Noise Level, Operating

48 dBA

### Product Warranty

1-Year Exchange Service, Next Business Day

### Maximum Monthly Duty Cycle

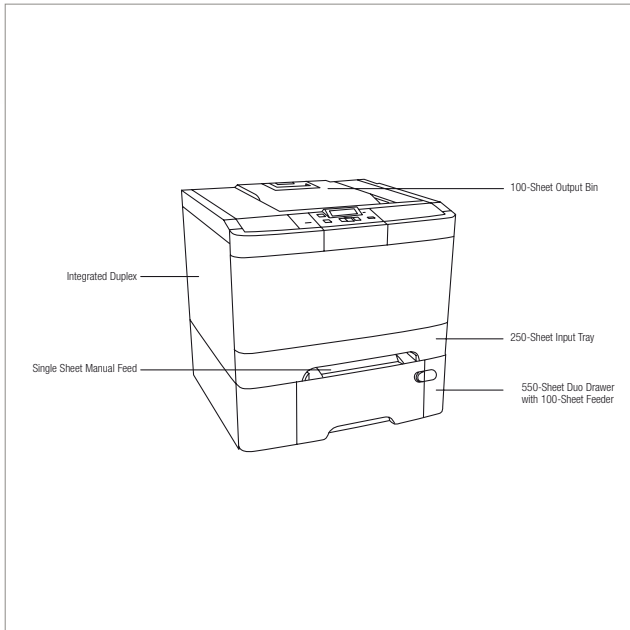
Up to 55,000 pages per month

### Recommended Monthly Page Volume

800 - 3,000 pages

### License/Agreement Terms

Printers are sold subject to certain license/agreement conditions. See [www.lexmark.com/printerlicense](http://www.lexmark.com/printerlicense) for details.



| Part #  | Model           |
|---------|-----------------|
| 26C0100 | Lexmark C544dtn |

| Part #   | Laser Toner/Print Cartridge  |
|----------|--|
| C544X1KG | C544, X544 Black Extra High Yield Return Program Toner Cartridge               |
| C544X1CG | C544, X544 Cyan Extra High Yield Return Program Toner Cartridge                |
| C544X1MG | C544, X544 Magenta Extra High Yield Return Program Toner Cartridge             |
| C544X1YG | C544, X544 Yellow Extra High Yield Return Program Toner Cartridge              |
| C540H1KG | C540, C543, C544, X543, X544 Black High Yield Return Program Toner Cartridge   |
| C540H1CG | C540, C543, C544, X543, X544 Cyan High Yield Return Program Toner Cartridge    |
| C540H1MG | C540, C543, C544, X543, X544 Magenta High Yield Return Program Toner Cartridge |
| C540H1YG | C540, C543, C544, X543, X544 Yellow High Yield Return Program Toner Cartridge  |
| C540A1KG | C540, C543, C544, X543, X544 Black Return Program Toner Cartridge              |
| C540A1CG | C540, C543, C544, X543, X544 Cyan Return Program Toner Cartridge               |
| C540A1MG | C540, C543, C544, X543, X544 Magenta Return Program Toner Cartridge            |
| C540A1YG | C540, C543, C544, X543, X544 Yellow Return Program Toner Cartridge             |
| C544X2KG | C544, X544 Black Extra High Yield Toner Cartridge                              |
| C544X2CG | C544, X544 Cyan Extra High Yield Toner Cartridge                               |
| C544X2MG | C544, X544 Magenta Extra High Yield Toner Cartridge                            |
| C544X2YG | C544, X544 Yellow Extra High Yield Toner Cartridge                             |
| C540H2KG | C540, C543, C544, X543, X544 Black High Yield Toner Cartridge                  |
| C540H2CG | C540, C543, C544, X543, X544 Cyan High Yield Toner Cartridge                   |
| C540H2MG | C540, C543, C544, X543, X544 Magenta High Yield Toner Cartridge                |
| C540H2YG | C540, C543, C544, X543, X544 Yellow High Yield Toner Cartridge                 |
| C540X75G | C540, C543, C544, X543, X544 Waste Toner Bottle                                |
| C540X71G | C540, C543, C544, X543, X544 Black Imaging Kit                                 |
| C540X74G | C540, C543, C544, X543, X544 Black and Color Imaging Kit                       |

| Part #  | Paper & Transparencies                          |
|---------|---|
| 12A5950 | Glossy Laser Paper, Letter (200 sheets)         |
| 12A8240 | Professional Color Laser Transparencies, Letter |

| Part #  | Memory Options                |
|---------|-------------------------------|
| 1022298 | 128MB DDR1-DRAM               |
| 1022299 | 256MB DDR1-DRAM               |
| 1022301 | 512MB DDR1-DRAM               |
| 1021209 | 64MB Flash Card               |
| 30G0828 | Japanese Font Card            |
| 30G0825 | Korean Font Card              |
| 30G0826 | Simplified Chinese Font Card  |
| 30G0827 | Traditional Chinese Font Card |

| Part #  | Connectivity                                  |
|---------|---|
| 1021294 | USB Cable (2-meter)                           |
| 14T0145 | Lexmark N4050e 802.11g Wireless Print Server  |
| 14T0220 | MarkNet™ N7020e Gigabit Ethernet Print Server |

| Part #  | Extended Warranties                                |
|---------|--|
| 2350468 | 2-Years Total Exchange Service, Next Business Day  |
| 2350469 | 3-Years Total Exchange Service, Next Business Day  |
| 2350470 | 4-Years Total Exchange Service, Next Business Day  |
| 2350472 | 1-Year Exchange Service Renewal, Next Business Day |
| 2350476 | Upgrade to Onsite Service, Next Business Day       |
| 2350477 | 2-Years Total Onsite Service, Next Business Day    |
| 2350478 | 3-Years Total Onsite Service, Next Business Day    |
| 2350479 | 4-Years Total Onsite Service, Next Business Day    |
| 2350481 | 1-Year Onsite Service Renewal, Next Business Day   |

| Part #   | User Replaceable Parts                              |
|----------|---|
| 3049484  | C540, C543, C544 Relocation Kit                     |
| C540X31G | C540, C543, C544, X543, X544 Black Developer Unit   |
| C540X32G | C540, C543, C544, X543, X544 Cyan Developer Unit    |
| C540X33G | C540, C543, C544, X543, X544 Magenta Developer Unit |
| C540X34G | C540, C543, C544, X543, X544 Yellow Developer Unit  |



# Lexmark C734n

High-performance color workgroup printer  
with advanced security and functionality

## Print Technology

Color Laser

### Print Speed (Letter, Black)

Up to 30 ppm

### Print Speed (Letter, Color)

Up to 30 ppm

### Time to First Page (Black)

As fast as 9.5 seconds

### Time to First Page (Color)

As fast as 9.5 seconds

### Print Resolution, Black

1200 x 1200 dpi, 4800 Color Quality (2400 x 600 dpi)

### Print Resolution, Color

1200 x 1200 dpi, 4800 Color Quality (2400 x 600 dpi)

### Processor

600 MHz

### Memory, Standard

256 MB

### Memory, Maximum

1280 MB

### Expandable Memory Options

Yes

### Apple Macintosh Operating Systems Supported

Mac OS X, Mac OS 9.2

### Citrix MetaFrame

Microsoft Windows 2000 Server running Terminal Services with Citrix Presentation Server 3.0, 4.0, Microsoft Windows Server 2003 running Terminal Services with Citrix Presentation Server 3.0, 4.0, 4.5, Microsoft Windows Server 2003 x64 running Terminal Services with Citrix Presentation Server 4.0 x64, 4.5 x64

### Linux Operating Systems Supported

Linpus Linux Desktop 9.2, 9.3, Red Hat Enterprise Linux WS 3.0, 4.0, 5.0, SUSE Linux Enterprise Server 8.0, 9.0, 10.0, SUSE Linux Enterprise Desktop 10, openSUSE 10.2, 10.3, 11.0, Linspire Linux 6.0, Debian GNU/Linux 4.0, Red Flag Linux Desktop 5.0, 6.0, Ubuntu 7.10, Ubuntu 8.04 LTS

### Microsoft Windows Operating Systems Supported

2000, XP, Server 2003, XP x64, Server 2003 running Terminal Services, 2000 Server running Terminal Services, Server 2003 x64, Server 2003 x64 running Terminal Services, Vista, Vista x64, Server 2008, Server 2008 x64, Server 2008 running Terminal Services, Server 2008 x64 running Terminal Services

### Novell Operating Systems Supported

Open Enterprise Server for Netware with NDS, iPrint or Novell Distributed Print Services (NDPS), NetWare 5.x, 6.x with iPrint or Novell Distributed Print Services (NDPS)

### UNIX Operating Systems Supported

Sun Solaris SPARC 8, 9, 10, Sun Solaris x86 10, HP-UX 11.11, 11.23, 11.31, IBM AIX 5.2, 5.3, 6.1

## Paper Handling Standard

300-Sheet Output Bin, 100-Sheet Multipurpose Feeder, 550-Sheet Input Tray

## Paper Handling Optional

550-Sheet Drawer, 2,000-Sheet High-Capacity Feeder,

550-Sheet Specialty Media Drawer

### Paper Input Capacity, Standard: Up to

650 pages 20 lb or 75 gsm bond

### Paper Input Capacity, Maximum: Up to

3750 pages 20 lb or 75 gsm bond

### Paper Output Capacity, Standard: Up to

300 pages 20 lb or 75 gsm bond

### Paper Output Capacity, Maximum: Up to

300 pages 20 lb or 75 gsm bond

### Finishing Option

No

### Number of Paper Inputs, Standard

2

### Number of Paper Inputs, Maximum

5

### Media Types Supported

Card Stock, Envelopes, Glossy Paper, Paper Labels, Plain Paper, Transparencies, Vinyl Labels, Refer to the Card Stock & Label Guide

### Media Sizes Supported

10 Envelope, 7 3/4 Envelope, 9 Envelope, A4, A5, B5 Envelope, C5 Envelope, DL Envelope, B5, Executive, Folio, JIS-B5, Legal, Letter, Statement, Universal, Oficio

## Standard Ports

Ethernet 10/100BaseTX (RJ-45), USB 2.0 Specification Hi-Speed Certified (Type B), PictBridge Certified Port, Front USB 2.0 Specification Hi-Speed Certified Port (Type A)

## Optional Network Ports

Lexmark N4050e 802.11g Wireless Print Server (Print Only), External MarkNet™ N7020e Gigabit Ethernet, Internal MarkNet™ N8120 Gigabit Ethernet, Internal MarkNet™ N8130 Fiber Fast Ethernet, Internal MarkNet™ N8150 802.11b/g/n Wireless

## Network Printing Methods

LPR/LPD, Direct IP (Port 9100), HTTP, NDS Queue-based Printing, NDPS/NEPS (Novell Distributed Print Services), Novell Netware Enterprise Print Services, Enhanced IP (Port 9400), FTP, TFTP, IPP 1.1 (Internet Printing Protocol), ThinPrint, print integration

## Network Protocol Support

TCP/IP IPv4, IPX/SPX, AppleTalk™, LexLink (DLC), TCP/IP IPv6, TCP, UDP

## Network Security

SNMPv3, 802.1x Authentication: MD5, MSCHAPv2, LEAP, PEAP, TLS, TTLS, IPsec

## Printable Area

0.167 inches of the top, bottom, right and left edges (within)

## Printer Languages (Standard)

PCL 5c Emulation, PCL 6 Emulation, Personal Printer Data Stream (PPDS), PostScript 3 Emulation, xHTML, PDF 1.6, Direct Image, Microsoft XPS (XML Paper Specification)

## Supplies Yield

\*Average continuous black or continuous composite CMY declared cartridge yield up to this number of standard pages in accordance with ISO/IEC 19798 - 6,000\*-page color Toner Cartridges (CMY), 8,000\*-page Black Toner Cartridge

### Cartridge(s) Shipping with Product

4,000\*-page Black starter Return Program Toner Cartridge, 4,000\*-page color (CMY) starter Return Program Toner Cartridges

### Packaged Size (in. - H x W x D)

21.5 x 23.1 x 21.8 in.

### Size (in. - H x W x D)

17.7 x 17.1 x 18.5 in.

### Size, Trays Extended (in. - H x W x D)

17.7 x 17.1 x 20.7 in.

### Weight (lb.)

56.7 lb.

### Noise Level, Idle

33 dBA

### Print Noise Level, Operating

54 dBA

### Product Warranty

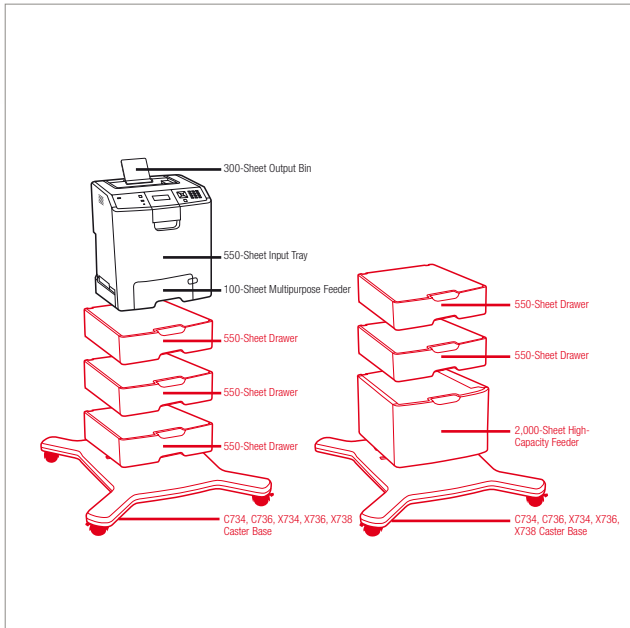
1-Year Onsite Service, Next Business Day

### Maximum Monthly Duty Cycle

Up to 85,000 pages per month

### Recommended Monthly Page Volume

1,500 - 9,200 pages



Paper Handling Standard  
 Paper Handling Optional

|               |   |
|---------------|---|
| <b>Part #</b> | <b>Model</b>  |
| 25C0350       | Lexmark C734n   |
| <b>Part #</b> | <b>Laser Toner/Print Cartridge</b>                                  |
| C734A1KG      | C734, C736, X734, X736, X738 Black Return Program Toner Cartridge   |
| C734A1CG      | C734, C736, X734, X736, X738 Cyan Return Program Toner Cartridge    |
| C734A1MG      | C734, C736, X734, X736, X738 Magenta Return Program Toner Cartridge |
| C734A1YG      | C734, C736, X734, X736, X738 Yellow Return Program Toner Cartridge  |
| C734A2KG      | C734, C736, X734, X736, X738 Black Toner Cartridge                  |
| C734A2CG      | C734, C736, X734, X736, X738 Cyan Toner Cartridge                   |
| C734A2MG      | C734, C736, X734, X736, X738 Magenta Toner Cartridge                |
| C734A2YG      | C734, C736, X734, X736, X738 Yellow Toner Cartridge                 |
| C734X77G      | Waste Toner Box   |
| C734X20G      | C734, C736, X734, X736, X738 Photoconductor Unit                    |
| C734X24G      | C734, C736, X734, X736, X738 Photoconductor Unit, 4-Pack            |
| <b>Part #</b> | <b>Paper &amp; Transparencies</b>                                   |
| 12A5950       | Glossy Laser Paper, Letter (200 sheets)                             |
| 12A8240       | Professional Color Laser Transparencies, Letter                     |
| <b>Part #</b> | <b>Paper Handling</b>   |
| 27S2100       | C734, C736, X734e, X736e, X738e 550-Sheet Drawer                    |
| 27S2400       | 2,000-Sheet High Capacity Feeder                                    |
| 27S2650       | C734, C736, X734e, X736e, X738e 550-Sheet Specialty Media Drawer    |
| 27S2190       | 4.8 inch (12.2 cm) Spacer   |
| <b>Part #</b> | <b>Furniture</b>  |
| 16M11210      | C734, C736, X734, X736, X738 Caster Base                            |
| <b>Part #</b> | <b>Memory Options</b>   |
| 1025041       | 256MB DDR2-DRAM   |
| 1025042       | 512MB DDR2-DRAM   |
| 1025043       | 1024MB DDR2-DRAM  |
| 14F0245       | 256MB Flash Card  |
| 14F0102       | 80+GB Hard Disk   |
| 30G0828       | Japanese Font Card  |
| 30G0825       | Korean Font Card  |
| 30G0826       | Simplified Chinese Font Card  |
| 30G0827       | Traditional Chinese Font Card                                       |
| <b>Part #</b> | <b>Application Solutions</b>  |
| 30G0829       | Lexmark PrintCryption Card  |
| 25C0434       | C734, C736 Card for IPDS/SCS/TNe                                    |
| 25C0433       | C734, C736 Forms and Bar Code Card                                  |
| <b>Part #</b> | <b>Connectivity</b>   |
| 14F0037       | MarkNet N8120 Gigabit Ethernet Print Server                         |
| 14F0042       | MarkNet N8130 Fiber Ethernet 100BaseFX, 10BaseFL Print Server       |
| 14F0040       | MarkNet N8150 802.11b/g/n Wireless Print Server                     |
| 14T0145       | Lexmark N4050e 802.11g Wireless Print Server                        |

|               |   |
|---------------|---|
| 14T0220       | MarkNet™ N7020e Gigabit Ethernet Print Server   |
| 14F0000       | Parallel 1284-B Interface Card                  |
| 1021294       | USB Cable (2-meter)                             |
| 1021231       | Parallel Cable (10-foot)                        |
| 14F0100       | RS-232C Serial Interface Card                   |
| <b>Part #</b> | <b>Extended Warranties</b>                      |
| 2350780       | 2-Years Total Onsite Service, Next Business Day |
| 2350781       | 3-Years Total Onsite Service, Next Business Day |
| 2350782       | 4-Years Total Onsite Service, Next Business Day |
| 2350783       | 5-Years Total Onsite Service, Next Business Day |
| <b>Part #</b> | <b>User Replaceable Parts</b>                   |
| 40X5093       | C73x, X73x Fuser Maintenance 110-120V           |
| 40X5096       | C73x, X73x Transfer Belt Maintenance            |
| 40X5168       | Pick Tire                                       |
| 40X5152       | Pick Tire, Special Media Drawer                 |
| <b>Part #</b> | <b>Installation Service</b>                     |
| 2350796       | C734 Install, De-Install Service                |



# Lexmark C734dn

High-performance color workgroup printer with advanced security and functionality, includes built-in duplex

## Print Technology

Color Laser

### Print Speed (Letter, Black)

Up to 30 ppm

### Print Speed (Letter, Color)

Up to 30 ppm

### Print Speed (Letter, Black) Duplex

Up to 20 spm

### Time to First Page (Black)

As fast as 9.5 seconds

### Time to First Page (Color)

As fast as 9.5 seconds

### Print Resolution, Black

1200 x 1200 dpi, 4800 Color Quality (2400 x 600 dpi)

### Print Resolution, Color

1200 x 1200 dpi, 4800 Color Quality (2400 x 600 dpi)

### Processor

600 MHz

### Memory, Standard

256 MB

### Memory, Maximum

1280 MB

### Expandable Memory Options

Yes

### Apple Macintosh Operating Systems Supported

Mac OS X, Mac OS 9.2

### Citrix MetaFrame

Microsoft Windows 2000 Server running Terminal Services with Citrix Presentation Server 3.0, 4.0, Microsoft Windows Server 2003 running Terminal Services with Citrix Presentation Server 3.0, 4.0, 4.5, Microsoft Windows Server 2003 x64 running Terminal Services with Citrix Presentation Server 4.0 x64, 4.5 x64

### Linux Operating Systems Supported

Linux Linux Desktop 9.2, 9.3, Red Hat Enterprise Linux WS 3.0, 4.0, 5.0, SUSE Linux Enterprise Server 8.0, 9.0, 10.0, SUSE Linux Enterprise Desktop 10, openSUSE 10.2, 10.3, 11.0, Linspire Linux 6.0, Debian GNU/Linux 4.0, Red Flag Linux Desktop 5.0, 6.0, Ubuntu 7.10, Ubuntu 8.04 LTS

### Microsoft Windows Operating Systems Supported

2000, XP, Server 2003, XP x64, Server 2003 running Terminal Services, 2000 Server running Terminal Services, Server 2003 x64, Server 2003 x64 running Terminal Services, Vista, Vista x64, Server 2008, Server 2008 x64, Server 2008 running Terminal Services, Server 2008 x64 running Terminal Services

### Novell Operating Systems Supported

Open Enterprise Server for Netware with NDS, iPrint or Novell Distributed Print Services (NDPS), NetWare 5.x, 6.x with iPrint or Novell Distributed Print Services (NDPS)

### UNIX Operating Systems Supported

Sun Solaris SPARC 8, 9, 10, Sun Solaris x86 10, HP-UX 11.11, 11.23, 11.31, IBM AIX 5.2, 5.3, 6.1

## Paper Handling Standard

300-Sheet Output Bin, Integrated Duplex, 100-Sheet

Multipurpose Feeder, 550-Sheet Input Tray

## Paper Handling Optional

550-Sheet Drawer, 2,000-Sheet High-Capacity Feeder,

550-Sheet Specialty Media Drawer

### Paper Input Capacity, Standard: Up to

650 pages 20 lb or 75 gsm bond

### Paper Input Capacity, Maximum: Up to

3750 pages 20 lb or 75 gsm bond

### Paper Output Capacity, Standard: Up to

300 pages 20 lb or 75 gsm bond

### Paper Output Capacity, Maximum: Up to

300 pages 20 lb or 75 gsm bond

### Finishing Option

No

### Number of Paper Inputs, Standard

2

### Number of Paper Inputs, Maximum

5

### Media Types Supported

Card Stock, Envelopes, Glossy Paper, Paper Labels, Plain Paper, Transparencies, Vinyl Labels, Refer to the Card Stock & Label Guide

### Media Sizes Supported

10 Envelope, 7 3/4 Envelope, 9 Envelope, A4, A5, B5 Envelope, C5 Envelope, DL Envelope, B5, Executive, Folio, JIS-B5, Legal, Letter, Statement, Universal, Oficio

## Standard Ports

Ethernet 10/100BaseTX (RJ-45), USB 2.0 Specification Hi-Speed Certified (Type B), PictBridge Certified Port, Front USB 2.0 Specification Hi-Speed Certified Port (Type A)

## Optional Network Ports

Lexmark N4050e 802.11g Wireless Print Server (Print Only), External MarkNet™ N7020e Gigabit Ethernet, Internal MarkNet™ N8120 Gigabit Ethernet, Internal MarkNet™ N8130 Fiber Fast Ethernet, Internal MarkNet™ N8150 802.11b/g/n Wireless

## Network Printing Methods

LPR/LPD, Direct IP (Port 9100), HTTP, NDS Queue-based Printing, NDPS/NEPS (Novell Distributed Print Services), Novell Netware Enterprise Print Services, Enhanced IP (Port 9400), FTP, TFTP, IPP 1.1 (Internet Printing Protocol), ThinPrint .print integration

## Network Protocol Support

TCP/IP IPv4, IPX/SPX, AppleTalk™, LexLink (DLC), TCP/IP IPv6, TCP, UDP

## Network Security

SNMPv3, 802.1x Authentication: MD5, MSCHAPv2, LEAP, PEAP, TLS, TTLS, IPsec

## Printable Area

0.167 inches of the top, bottom, right and left edges (within)

## Printer Languages (Standard)

PCL 5c Emulation, PCL 6 Emulation, Personal Printer Data Stream (PPDS), PostScript 3 Emulation, xHTML, PDF 1.6, Direct Image, Microsoft XPS (XML Paper

## Specification

### Supplies Yield

\*Average continuous black or continuous composite CMY declared cartridge yield up to this number of standard pages in accordance with ISO/IEC 19798. , 6,000\*-page color Toner Cartridges (CMY), 8,000\*-page Black Toner Cartridge

### Cartridge(s) Shipping with Product

4,000\*-page Black starter Return Program Toner Cartridge, 4,000\*-page color (CMY) starter Return Program Toner Cartridges

### Packaged Size (in. - H x W x D)

22.4 x 24.9 x 21.8 in.

### Size (in. - H x W x D)

17.7 x 17.1 x 18.5 in.

### Size, Trays Extended (in. - H x W x D)

17.7 x 17.1 x 20.7 in.

### Weight (lb.)

56.7 lb.

### Noise Level, Idle

33 dBA

### Print Noise Level, Operating

54 dBA

### Product Warranty

1-Year Onsite Service, Next Business Day

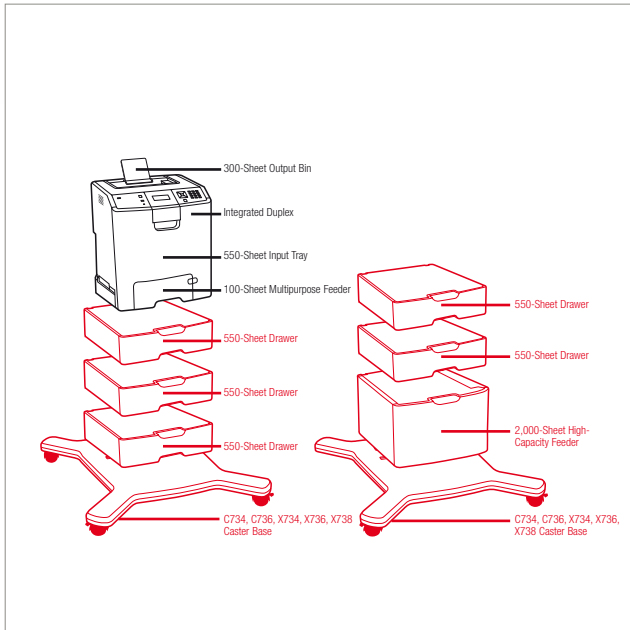
### Maximum Monthly Duty Cycle

Up to 85,000 pages per month

### Recommended Monthly Page Volume

1,500 - 9,200 pages





Paper Handling Standard  
 Paper Handling Optional

|               |   |
|---------------|---|
| <b>Part #</b> | <b>Model</b>  |
| 25C0351       | Lexmark C734dn  |
| <b>Part #</b> | <b>Laser Toner/Print Cartridge</b>                                  |
| C734A1KG      | C734, C736, X734, X736, X738 Black Return Program Toner Cartridge   |
| C734A1CG      | C734, C736, X734, X736, X738 Cyan Return Program Toner Cartridge    |
| C734A1MG      | C734, C736, X734, X736, X738 Magenta Return Program Toner Cartridge |
| C734A1YG      | C734, C736, X734, X736, X738 Yellow Return Program Toner Cartridge  |
| C734A2KG      | C734, C736, X734, X736, X738 Black Toner Cartridge                  |
| C734A2CG      | C734, C736, X734, X736, X738 Cyan Toner Cartridge                   |
| C734A2MG      | C734, C736, X734, X736, X738 Magenta Toner Cartridge                |
| C734A2YG      | C734, C736, X734, X736, X738 Yellow Toner Cartridge                 |
| C734X77G      | Waste Toner Box   |
| C734X20G      | C734, C736, X734, X736, X738 Photoconductor Unit                    |
| C734X24G      | C734, C736, X734, X736, X738 Photoconductor Unit, 4-Pack            |
| <b>Part #</b> | <b>Paper &amp; Transparencies</b>                                   |
| 12A5950       | Glossy Laser Paper, Letter (200 sheets)                             |
| 12A8240       | Professional Color Laser Transparencies, Letter                     |
| <b>Part #</b> | <b>Paper Handling</b>   |
| 27S2100       | C734, C736, X734e, X736e, X738e 550-Sheet Drawer                    |
| 27S2400       | 2,000-Sheet High Capacity Feeder                                    |
| 27S2650       | C734, C736, X734e, X736e, X738e 550-Sheet Specialty Media Drawer    |
| 27S2190       | 4.8 inch (12.2 cm) Spacer   |
| <b>Part #</b> | <b>Furniture</b>  |
| 16M11210      | C734, C736, X734, X736, X738 Caster Base                            |
| <b>Part #</b> | <b>Memory Options</b>   |
| 1025041       | 256MB DDR2-DRAM   |
| 1025042       | 512MB DDR2-DRAM   |
| 1025043       | 1024MB DDR2-DRAM  |
| 14F0245       | 256MB Flash Card  |
| 14F0102       | 80+GB Hard Disk   |
| 30G0828       | Japanese Font Card  |
| 30G0825       | Korean Font Card  |
| 30G0826       | Simplified Chinese Font Card  |
| 30G0827       | Traditional Chinese Font Card                                       |
| <b>Part #</b> | <b>Application Solutions</b>  |
| 30G0829       | Lexmark PrintCryption Card  |
| 25C0434       | C734, C736 Card for IPDS/SCS/TNe                                    |
| 25C0433       | C734, C736 Forms and Bar Code Card                                  |
| <b>Part #</b> | <b>Connectivity</b>   |
| 14F0037       | MarkNet N8120 Gigabit Ethernet Print Server                         |
| 14F0042       | MarkNet N8130 Fiber Ethernet 100BaseFX, 10BaseFL Print Server       |
| 14F0040       | MarkNet N8150 802.11b/g/n Wireless Print Server                     |
| 14T0145       | Lexmark N4050e 802.11g Wireless Print Server                        |

|               |   |
|---------------|---|
| 14T0220       | MarkNet™ N7020e Gigabit Ethernet Print Server   |
| 14F0000       | Parallel 1284-B Interface Card                  |
| 1021294       | USB Cable (2-meter)                             |
| 1021231       | Parallel Cable (10-foot)                        |
| 14F0100       | RS-232C Serial Interface Card                   |
| <b>Part #</b> | <b>Extended Warranties</b>                      |
| 2350780       | 2-Years Total Onsite Service, Next Business Day |
| 2350781       | 3-Years Total Onsite Service, Next Business Day |
| 2350782       | 4-Years Total Onsite Service, Next Business Day |
| 2350783       | 5-Years Total Onsite Service, Next Business Day |
| <b>Part #</b> | <b>User Replaceable Parts</b>                   |
| 40X5093       | C73x, X73x Fuser Maintenance 110-120V           |
| 40X5096       | C73x, X73x Transfer Belt Maintenance            |
| 40X5168       | Pick Tire                                       |
| 40X5152       | Pick Tire, Special Media Drawer                 |
| <b>Part #</b> | <b>Installation Service</b>                     |
| 2350796       | C734 Install, De-Install Service                |



# Lexmark C734dtn

High-performance color workgroup printer with advanced security and functionality, built-in duplex and extra input capacity

## Print Technology

Color Laser

### Print Speed (Letter, Black)

Up to 30 ppm

### Print Speed (Letter, Color)

Up to 30 ppm

### Print Speed (Letter, Black) Duplex

Up to 20 ppm

### Time to First Page (Black)

As fast as 9.5 seconds

### Time to First Page (Color)

As fast as 9.5 seconds

### Print Resolution, Black

1200 x 1200 dpi, 4800 Color Quality (2400 x 600 dpi)

### Print Resolution, Color

1200 x 1200 dpi, 4800 Color Quality (2400 x 600 dpi)

## Processor

600 Mhz

### Memory, Standard

256 MB

### Memory, Maximum

1280 MB

### Expandable Memory Options

Yes

### Apple Macintosh Operating Systems Supported

Mac OS X, Mac OS 9.2

### Citrix MetaFrame

Microsoft Windows 2000 Server running Terminal Services with Citrix Presentation Server 3.0, 4.0, Microsoft Windows Server 2003 running Terminal Services with Citrix Presentation Server 3.0, 4.0, 4.5, Microsoft Windows Server 2003 x64 running Terminal Services with Citrix Presentation Server 4.0 x64, 4.5 x64

### Linux Operating Systems Supported

Linpus Linux Desktop 9.2, 9.3, Red Hat Enterprise Linux WS 3.0, 4.0, 5.0, SUSE Linux Enterprise Server 8.0, 9.0, 10.0, SUSE Linux Enterprise Desktop 10, openSUSE 10.2, 10.3, 11.0, Linspire Linux 6.0, Debian GNU/Linux 4.0, Red Flag Linux Desktop 5.0, 6.0, Ubuntu 7.10, Ubuntu 8.04 LTS

### Microsoft Windows Operating Systems Supported

2000, XP, Server 2003, XP x64, Server 2003 running Terminal Services, 2000 Server running Terminal Services, Server 2003 x64, Server 2003 x64 running Terminal Services, Vista, Vista x64, Server 2008, Server 2008 x64, Server 2008 running Terminal Services, Server 2008 x64 running Terminal Services

### Novell Operating Systems Supported

Open Enterprise Server for Netware with NDS, iPrint or Novell Distributed Print Services (NDPS), NetWare 5.x, 6.x with iPrint or Novell Distributed Print Services (NDPS)

### UNIX Operating Systems Supported

Sun Solaris SPARC 8, 9, 10, Sun Solaris x86 10, HP-UX 11.11, 11.23, 11.31, IBM AIX 5.2, 5.3, 6.1

### Paper Handling Standard

300-Sheet Output Bin, Integrated Duplex, 100-Sheet

Multipurpose Feeder, 550-Sheet Drawer, 550-Sheet Input Tray

### Paper Handling Optional

550-Sheet Drawer, 2,000-Sheet High-Capacity Feeder, 550-Sheet Specialty Media Drawer

### Paper Input Capacity, Standard: Up to

1200 pages 20 lb or 75 gsm bond

### Paper Input Capacity, Maximum: Up to

3750 pages 20 lb or 75 gsm bond

### Paper Output Capacity, Standard: Up to

300 pages 20 lb or 75 gsm bond

### Paper Output Capacity, Maximum: Up to

300 pages 20 lb or 75 gsm bond

### Finishing Option

No

### Number of Paper Inputs, Standard

3

### Number of Paper Inputs, Maximum

5

### Media Types Supported

Card Stock, Envelopes, Glossy Paper, Paper Labels, Plain Paper, Transparencies, Vinyl Labels, Refer to the Card Stock & Label Guide

### Media Sizes Supported

10 Envelope, 7 3/4 Envelope, 9 Envelope, A4, A5, B5 Envelope, C5 Envelope, DL Envelope, B5, Executive, Folio, JIS-B5, Legal, Letter, Statement, Universal, Oficio

### Standard Ports

Ethernet 10/100BaseTX (RJ-45), USB 2.0 Specification Hi-Speed Certified (Type B), PictBridge Certified Port, Front USB 2.0 Specification Hi-Speed Certified Port (Type A)

### Optional Network Ports

Lexmark N4050e 802.11g Wireless Print Server (Print Only), External MarkNet™ N7020e Gigabit Ethernet, Internal MarkNet™ N8120 Gigabit Ethernet, Internal MarkNet™ N8130 Fiber Fast Ethernet, Internal MarkNet™ N8150 802.11b/g/n Wireless

### Network Printing Methods

LPR/LPD, Direct IP (Port 9100), HTTP, NDS Queue-based Printing, NDPS/NEPS (Novell Distributed Print Services), Novell Netware Enterprise Print Services, Enhanced IP (Port 9400), FTP, TFTP, IPP 1.1 (Internet Printing Protocol), ThinPrint, print integration

### Network Protocol Support

TCP/IP IPv4, IPX/SPX, AppleTalk™, LexLink (DLC), TCP/IP IPv6, TCP, UDP

### Network Security

SNMPv3, 802.1x Authentication: MD5, MSCHAPv2, LEAP, PEAP, TLS, TTLS, IPsec

### Printable Area

0.167 inches of the top, bottom, right and left edges (within)

### Printer Languages (Standard)

PCL 5c Emulation, PCL 6 Emulation, Personal Printer Data Stream (PPDS), PostScript 3 Emulation, xHTML,

PDF 1.6, Direct Image, Microsoft XPS (XML Paper Specification)

## Supplies Yield

\*Average continuous black or continuous composite CMY declared cartridge yield up to this number of standard pages in accordance with ISO/IEC 19798, 6,000\*-page color Toner Cartridges (CMY), 8,000\*-page Black Toner Cartridge

### Cartridge(s) Shipping with Product

4,000\*-page Black starter Return Program Toner Cartridge, 4,000\*-page color (CMY) starter Return Program Toner Cartridges

### Packaged Size (in. - H x W x D)

22.4 x 24.9 x 21.8 in.

### Size (in. - H x W x D)

22.7 x 17.1 x 21.5 in.

### Weight (lb.)

65.45 lb.

### Noise Level, Idle

33 dBA

### Print Noise Level, Operating

54 dBA

### Product Warranty

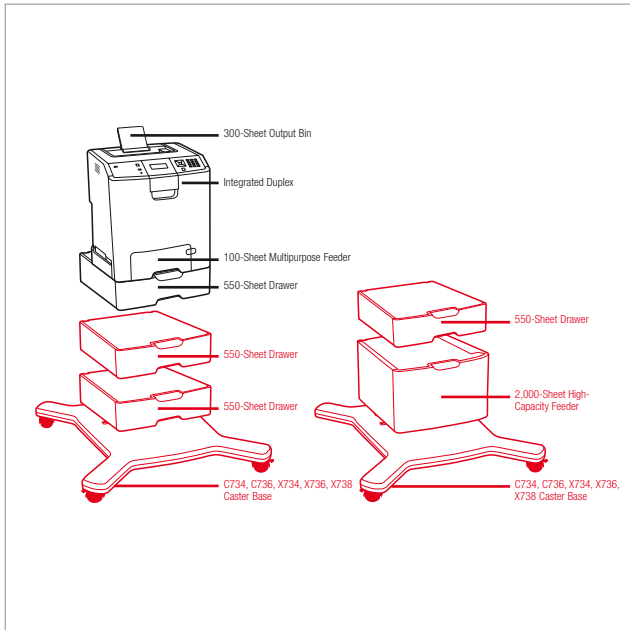
1-Year Onsite Service, Next Business Day

### Maximum Monthly Duty Cycle

Up to 85,000 pages per month

### Recommended Monthly Page Volume

1,500 - 9,200 pages



Paper Handling Standard  
 Paper Handling Optional

| Part #  | Model           |
|---------|-----------------|
| 25C0352 | Lexmark C734dtn |

| Part #   | Laser Toner/Print Cartridge   |
|----------|---|
| C734A1KG | C734, C736, X734, X736, X738 Black Return Program Toner Cartridge   |
| C734A1CG | C734, C736, X734, X736, X738 Cyan Return Program Toner Cartridge    |
| C734A1MG | C734, C736, X734, X736, X738 Magenta Return Program Toner Cartridge |
| C734A1YG | C734, C736, X734, X736, X738 Yellow Return Program Toner Cartridge  |
| C734A2KG | C734, C736, X734, X736, X738 Black Toner Cartridge                  |
| C734A2CG | C734, C736, X734, X736, X738 Cyan Toner Cartridge                   |
| C734A2MG | C734, C736, X734, X736, X738 Magenta Toner Cartridge                |
| C734A2YG | C734, C736, X734, X736, X738 Yellow Toner Cartridge                 |
| C734X77G | Waste Toner Box   |
| C734X20G | C734, C736, X734, X736, X738 Photoconductor Unit                    |
| C734X24G | C734, C736, X734, X736, X738 Photoconductor Unit, 4-Pack            |

| Part #  | Paper & Transparencies                          |
|---------|---|
| 12A5950 | Glossy Laser Paper, Letter (200 sheets)         |
| 12A8240 | Professional Color Laser Transparencies, Letter |

| Part #  | Paper Handling   |
|---------|--|
| 27S2100 | C734, C736, X734e, X736e, X738e 550-Sheet Drawer                 |
| 27S2400 | 2,000-Sheet High Capacity Feeder                                 |
| 27S2650 | C734, C736, X734e, X736e, X738e 550-Sheet Specialty Media Drawer |
| 27S2190 | 4.8 inch (12.2 cm) Spacer  |

| Part #   | Furniture                                |
|----------|--|
| 16M11210 | C734, C736, X734, X736, X738 Castor Base |

| Part #  | Memory Options                |
|---------|-------------------------------|
| 1025041 | 256MB DDR2-DRAM               |
| 1025042 | 512MB DDR2-DRAM               |
| 1025043 | 1024MB DDR2-DRAM              |
| 14F0245 | 256MB Flash Card              |
| 14F0102 | 80+GB Hard Disk               |
| 30G0828 | Japanese Font Card            |
| 30G0825 | Korean Font Card              |
| 30G0826 | Simplified Chinese Font Card  |
| 30G0827 | Traditional Chinese Font Card |

| Part #  | Application Solutions              |
|---------|------------------------------------|
| 30G0829 | Lexmark PrintCrypton Card          |
| 25C0434 | C734, C736 Card for IPDS/SCS/TNe   |
| 25C0433 | C734, C736 Forms and Bar Code Card |

| Part #  | Connectivity  |
|---------|---|
| 14F0037 | MarkNet N8120 Gigabit Ethernet Print Server                   |
| 14F0042 | MarkNet N8130 Fiber Ethernet 100BaseFX, 10BaseFL Print Server |
| 14F0040 | MarkNet N8150 802.11b/g/n Wireless Print Server               |
| 14T0145 | Lexmark N4050e 802.11g Wireless Print Server                  |

|         |   |
|---------|---|
| 14T0220 | MarkNet™ N7020e Gigabit Ethernet Print Server |
| 14F0000 | Parallel 1284-B Interface Card                |
| 1021294 | USB Cable (2-meter)                           |
| 1021231 | Parallel Cable (10-foot)                      |
| 14F0100 | RS-232C Serial Interface Card                 |

| Part #  | Extended Warranties                             |
|---------|---|
| 2350780 | 2-Years Total Onsite Service, Next Business Day |
| 2350781 | 3-Years Total Onsite Service, Next Business Day |
| 2350782 | 4-Years Total Onsite Service, Next Business Day |
| 2350783 | 5-Years Total Onsite Service, Next Business Day |

| Part #  | User Replaceable Parts                |
|---------|---------------------------------------|
| 40X5093 | C73x, X73x Fuser Maintenance 110-120V |
| 40X5096 | C73x, X73x Transfer Belt Maintenance  |
| 40X5168 | Pick Tire                             |
| 40X5152 | Pick Tire, Special Media Drawer       |

| Part #  | Installation Service             |
|---------|----------------------------------|
| 2350796 | C734 Install, De-Install Service |



# Lexmark C734dw

High-performance, wireless-ready color workgroup printer with advanced security and functionality, includes built-in duplex

## Print Technology

Color Laser

### Print Speed (Letter, Black)

Up to 30 ppm

### Print Speed (Letter, Color)

Up to 30 ppm

### Print Speed (Letter, Black) Duplex

Up to 20 spm

### Time to First Page (Black)

As fast as 9.5 seconds

### Time to First Page (Color)

As fast as 9.5 seconds

### Print Resolution, Black

1200 x 1200 dpi, 4800 Color Quality (2400 x 600 dpi)

### Print Resolution, Color

1200 x 1200 dpi, 4800 Color Quality (2400 x 600 dpi)

### Processor

600 MHz

### Memory, Standard

256 MB

### Memory, Maximum

1280 MB

### Expandable Memory Options

Yes

### Apple Macintosh Operating Systems Supported

Mac OS X, Mac OS 9.2

### Citrix MetaFrame

Microsoft Windows 2000 Server running Terminal Services with Citrix Presentation Server 3.0, 4.0, Microsoft Windows Server 2003 running Terminal Services with Citrix Presentation Server 3.0, 4.0, 4.5, Microsoft Windows Server 2003 x64 running Terminal Services with Citrix Presentation Server 4.0 x64, 4.5 x64

### Linux Operating Systems Supported

Linpus Linux Desktop 9.2, 9.3, Red Hat Enterprise Linux WS 3.0, 4.0, 5.0, SUSE Linux Enterprise Server 8.0, 9.0, 10.0, SUSE Linux Enterprise Desktop 10, openSUSE 10.2, 10.3, 11.0, Linspire Linux 6.0, Debian GNU/Linux 4.0, Red Flag Linux Desktop 5.0, 6.0, Ubuntu 7.10, Ubuntu 8.04 LTS

### Microsoft Windows Operating Systems Supported

2000, XP, Server 2003, XP x64, Server 2003 running Terminal Services, 2000 Server running Terminal Services, Server 2003 x64, Server 2003 x64 running Terminal Services, Vista, Vista x64, Server 2008, Server 2008 x64, Server 2008 running Terminal Services, Server 2008 x64 running Terminal Services

### Novell Operating Systems Supported

Open Enterprise Server for Netware with NDS, iPrint or Novell Distributed Print Services (NDPS), NetWare 5.x, 6.x with iPrint or Novell Distributed Print Services (NDPS)

### UNIX Operating Systems Supported

Sun Solaris SPARC 8, 9, 10, Sun Solaris x86 10, HP-UX 11.11, 11.23, 11.31, IBM AIX 5.2, 5.3, 6.1

## Paper Handling Standard

300-Sheet Output Bin, Integrated Duplex, 100-Sheet

Multipurpose Feeder, 550-Sheet Input Tray

## Paper Handling Optional

550-Sheet Drawer, 2,000-Sheet High-Capacity Feeder,

550-Sheet Specialty Media Drawer

### Paper Input Capacity, Standard: Up to

650 pages 20 lb or 75 gsm bond

### Paper Input Capacity, Maximum: Up to

3750 pages 20 lb or 75 gsm bond

### Paper Output Capacity, Standard: Up to

300 pages 20 lb or 75 gsm bond

### Paper Output Capacity, Maximum: Up to

300 pages 20 lb or 75 gsm bond

### Finishing Option

No

### Number of Paper Inputs, Standard

2

### Number of Paper Inputs, Maximum

5

### Media Types Supported

Card Stock, Envelopes, Glossy Paper, Paper Labels, Plain Paper, Transparencies, Vinyl Labels, Refer to the Card Stock & Label Guide

### Media Sizes Supported

10 Envelope, 7 3/4 Envelope, 9 Envelope, A4, A5, B5 Envelope, C5 Envelope, DL Envelope, B5, Executive, Folio, JIS-B5, Legal, Letter, Statement, Universal, Oficio

## Standard Ports

Ethernet 10/100BaseTX (RJ-45), USB 2.0 Specification Hi-Speed Certified (Type B), PictBridge Certified Port, 802.11b/g/n Wireless, Front USB 2.0 Specification Hi-Speed Certified Port (Type A)

## Optional Network Ports

Lexmark N4050e 802.11g Wireless Print Server (Print Only), External MarkNet™ N7020e Gigabit Ethernet

## Network Printing Methods

LPR/LPD, Direct IP (Port 9100), HTTP, NDS Queue-based Printing, NDPS/NEPS (Novell Distributed Print Services, Novell Netware Enterprise Print Services), Enhanced IP (Port 9400), FTP, TFTP, IPP 1.1 (Internet Printing Protocol), ThinPrint, print integration

## Network Protocol Support

TCP/IP IPv4, IPX/SPX, AppleTalk™, LexLink (DLC), TCP/IP IPv6, TCP, UDP

## Network Security

SNMPv3, 802.1x Authentication: MD5, MSCHAPv2, LEAP, PEAP, TLS, TTLS, IPsec

## Printable Area

0.167 inches of the top, bottom, right and left edges (within)

## Printer Languages (Standard)

PCL 5c Emulation, PCL 6 Emulation, Personal Printer Data Stream (PPDS), PostScript 3 Emulation, xHTML, PDF 1.6, Direct Image, Microsoft XPS (XML Paper Specification)

## Supplies Yield

\*Average continuous black or continuous composite CMY declared cartridge yield up to this number of standard pages in accordance with ISO/IEC 19798., 6,000\*-page color Toner Cartridges (CMY), 8,000\*-page Black Toner Cartridge

### Cartridge(s) Shipping with Product

4,000\*-page Black starter Return Program Toner Cartridge, 4,000\*-page color (CMY) starter Return Program Toner Cartridges

### Packaged Size (in. - H x W x D)

22.4 x 24.9 x 21.8 in.

### Size (in. - H x W x D)

17.7 x 17.1 x 18.5 in.

### Size, Trays Extended (in. - H x W x D)

17.7 x 17.1 x 20.7 in.

### Weight (lb.)

56.7 lb.

### Noise Level, Idle

33 dBA

### Print Noise Level, Operating

54 dBA

### Product Warranty

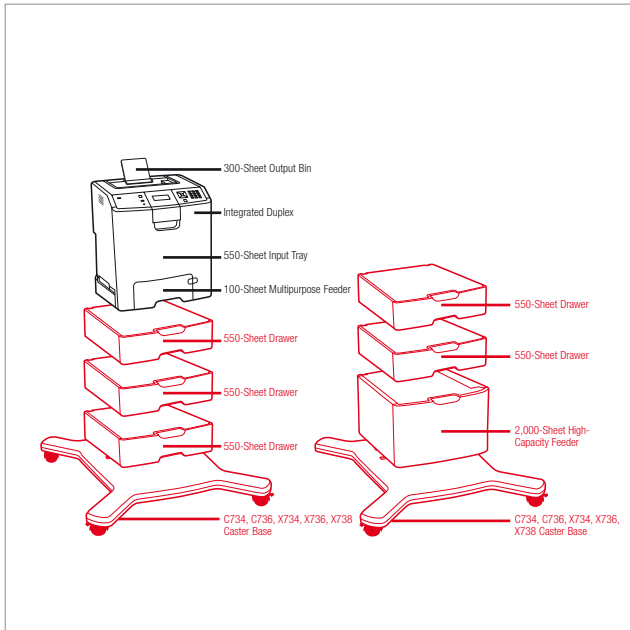
1-Year Onsite Service, Next Business Day

### Maximum Monthly Duty Cycle

Up to 85,000 pages per month

### Recommended Monthly Page Volume

1,500 - 9,200 pages



Paper Handling Standard  
 Paper Handling Optional

| Part #  | Model          |
|---------|----------------|
| 25C0353 | Lexmark C734dw |

| Part #   | Laser Toner/Print Cartridge   |
|----------|---|
| C734A1KG | C734, C736, X734, X736, X738 Black Return Program Toner Cartridge   |
| C734A1CG | C734, C736, X734, X736, X738 Cyan Return Program Toner Cartridge    |
| C734A1MG | C734, C736, X734, X736, X738 Magenta Return Program Toner Cartridge |
| C734A1YG | C734, C736, X734, X736, X738 Yellow Return Program Toner Cartridge  |
| C734A2KG | C734, C736, X734, X736, X738 Black Toner Cartridge                  |
| C734A2CG | C734, C736, X734, X736, X738 Cyan Toner Cartridge                   |
| C734A2MG | C734, C736, X734, X736, X738 Magenta Toner Cartridge                |
| C734A2YG | C734, C736, X734, X736, X738 Yellow Toner Cartridge                 |
| C734X77G | Waste Toner Box   |
| C734X20G | C734, C736, X734, X736, X738 Photoconductor Unit                    |
| C734X24G | C734, C736, X734, X736, X738 Photoconductor Unit, 4-Pack            |

| Part #  | Paper & Transparencies                          |
|---------|---|
| 12A5950 | Glossy Laser Paper, Letter (200 sheets)         |
| 12A8240 | Professional Color Laser Transparencies, Letter |

| Part #  | Paper Handling   |
|---------|--|
| 27S2100 | C734, C736, X734e, X736e, X738e 550-Sheet Drawer                 |
| 27S2400 | 2,000-Sheet High Capacity Feeder                                 |
| 27S2650 | C734, C736, X734e, X736e, X738e 550-Sheet Specialty Media Drawer |
| 27S2190 | 4.8 inch (12.2 cm) Spacer  |

| Part #   | Furniture                                |
|----------|--|
| 16M11210 | C734, C736, X734, X736, X738 Caster Base |

| Part #  | Memory Options                |
|---------|-------------------------------|
| 1025041 | 256MB DDR2-DRAM               |
| 1025042 | 512MB DDR2-DRAM               |
| 1025043 | 1024MB DDR2-DRAM              |
| 14F0245 | 256MB Flash Card              |
| 14F0102 | 80+GB Hard Disk               |
| 30G0828 | Japanese Font Card            |
| 30G0825 | Korean Font Card              |
| 30G0826 | Simplified Chinese Font Card  |
| 30G0827 | Traditional Chinese Font Card |

| Part #  | Application Solutions              |
|---------|------------------------------------|
| 30G0829 | Lexmark PrintCryption Card         |
| 25C0434 | C734, C736 Card for IPDS/SCS/TNe   |
| 25C0433 | C734, C736 Forms and Bar Code Card |

| Part #  | Connectivity                                  |
|---------|---|
| 14T0145 | Lexmark N4050e 802.11g Wireless Print Server  |
| 14T0220 | MarkNet™ N7020e Gigabit Ethernet Print Server |
| 14F0000 | Parallel 1284-B Interface Card                |
| 1021294 | USB Cable (2-meter)                           |

|         |                               |
|---------|-------------------------------|
| 1021231 | Parallel Cable (10-foot)      |
| 14F0100 | RS-232C Serial Interface Card |

| Part #  | Extended Warranties                             |
|---------|---|
| 2350780 | 2-Years Total Onsite Service, Next Business Day |
| 2350781 | 3-Years Total Onsite Service, Next Business Day |
| 2350782 | 4-Years Total Onsite Service, Next Business Day |
| 2350783 | 5-Years Total Onsite Service, Next Business Day |

| Part #  | User Replaceable Parts                |
|---------|---------------------------------------|
| 40X5093 | C73x, X73x Fuser Maintenance 110-120V |
| 40X5096 | C73x, X73x Transfer Belt Maintenance  |
| 40X5168 | Pick Tire                             |
| 40X5152 | Pick Tire, Special Media Drawer       |

| Part #  | Installation Service             |
|---------|----------------------------------|
| 2350796 | C734 Install, De-Install Service |



# Lexmark C736n

High-performance color workgroup printer with enhanced speed and processing power, ideal for high volumes

## Print Technology

Color Laser

### Print Speed (Letter, Black)

Up to 35 ppm

### Print Speed (Letter, Color)

Up to 35 ppm

### Time to First Page (Black)

As fast as 9 seconds

### Time to First Page (Color)

As fast as 9 seconds

### Print Resolution, Black

1200 x 1200 dpi, 4800 Color Quality (2400 x 600 dpi)

### Print Resolution, Color

1200 x 1200 dpi, 4800 Color Quality (2400 x 600 dpi)

### Processor

900 MHz

### Memory, Standard

256 MB

### Memory, Maximum

1280 MB

### Expandable Memory Options

Yes

### Apple Macintosh Operating Systems Supported

Mac OS X, Mac OS 9.2

### Citrix MetaFrame

Microsoft Windows 2000 Server running Terminal Services with Citrix Presentation Server 3.0, 4.0, Microsoft Windows Server 2003 running Terminal Services with Citrix Presentation Server 3.0, 4.0, 4.5, Microsoft Windows Server 2003 x64 running Terminal Services with Citrix Presentation Server 4.0 x64, 4.5 x64

### Linux Operating Systems Supported

Linpus Linux Desktop 9.2, 9.3, Red Hat Enterprise Linux WS 3.0, 4.0, 5.0, SUSE Linux Enterprise Server 8.0, 9.0, 10.0, SUSE Linux Enterprise Desktop 10, openSUSE 10.2, 10.3, 11.0, Linspire Linux 6.0, Debian GNU/Linux 4.0, Red Flag Linux Desktop 5.0, 6.0, Ubuntu 7.10, Ubuntu 8.04 LTS

### Microsoft Windows Operating Systems Supported

2000, XP, Server 2003, XP x64, Server 2003 running Terminal Services, 2000 Server running Terminal Services, Server 2003 x64, Server 2003 x64 running Terminal Services, Vista, Vista x64, Server 2008, Server 2008 x64, Server 2008 running Terminal Services, Server 2008 x64 running Terminal Services

### Novell Operating Systems Supported

Open Enterprise Server for Netware with NDS, iPrint or Novell Distributed Print Services (NDPS), NetWare 5.x, 6.x with iPrint or Novell Distributed Print Services (NDPS)

### UNIX Operating Systems Supported

Sun Solaris SPARC 8, 9, 10, Sun Solaris x86 10, HP-UX 11.11, 11.23, 11.31, IBM AIX 5.2, 5.3, 6.1

## Paper Handling Standard

300-Sheet Output Bin, 100-Sheet Multipurpose Feeder, 550-Sheet Input Tray

## Paper Handling Optional

550-Sheet Drawer, 2,000-Sheet High-Capacity Feeder,

550-Sheet Specialty Media Drawer

### Paper Input Capacity, Standard: Up to

650 pages 20 lb or 75 gsm bond

### Paper Input Capacity, Maximum: Up to

4300 pages 20 lb or 75 gsm bond

### Paper Output Capacity, Standard: Up to

300 pages 20 lb or 75 gsm bond

### Paper Output Capacity, Maximum: Up to

300 pages 20 lb or 75 gsm bond

### Finishing Option

No

### Number of Paper Inputs, Standard

2

### Number of Paper Inputs, Maximum

6

### Media Types Supported

Card Stock, Envelopes, Glossy Paper, Paper Labels, Plain Paper, Transparencies, Vinyl Labels, Refer to the Card Stock & Label Guide

### Media Sizes Supported

10 Envelope, 7 3/4 Envelope, 9 Envelope, A4, A5, B5 Envelope, C5 Envelope, DL Envelope, B5, Executive, Folio, JIS-B5, Legal, Letter, Statement, Universal, Office

## Standard Ports

Ethernet 10/100BaseTX (RJ-45), USB 2.0 Specification Hi-Speed Certified (Type B), PictBridge Certified Port, Front USB 2.0 Specification Hi-Speed Certified Port (Type A)

## Optional Network Ports

Lexmark N4050e 802.11g Wireless Print Server (Print Only), External MarkNet™ N7020e Gigabit Ethernet, Internal MarkNet™ N8120 Gigabit Ethernet, Internal MarkNet™ N8130 Fiber Fast Ethernet, Internal MarkNet™ N8150 802.11b/g/n Wireless

## Network Printing Methods

LPR/LPD, Direct IP (Port 9100), HTTP, NDS Queue-based Printing, NDPS/NEPS (Novell Distributed Print Services), Novell Netware Enterprise Print Services, Enhanced IP (Port 9400), FTP, TFTP, IPP 1.1 (Internet Printing Protocol), ThinPrint, print integration

## Network Protocol Support

TCP/IP IPv4, IPX/SPX, AppleTalk™, LexLink (DLC), TCP/IP IPv6, TCP, UDP

## Network Security

SNMPv3, 802.1x Authentication: MD5, MSCHAPv2, LEAP, PEAP, TLS, TLS, IPsec

## Printable Area

0.167 inches of the top, bottom, right and left edges (within)

## Printer Languages (Standard)

PCL 5c Emulation, PCL 6 Emulation, Personal Printer Data Stream (PPDS), PostScript 3 Emulation, xHTML, PDF 1.6, Direct Image, Microsoft XPS (XML Paper Specification)

## Supplies Yield

\*Average continuous black or continuous composite CMY declared cartridge yield up to this number of standard pages in accordance with ISO/IEC 19798. 6,000\*-page color Toner Cartridges (CMY), 8,000\*-page Black Toner Cartridge, 10,000\*-page color High Yield Toner Cartridges (CMY), 12,000\*-page Black High Yield Toner Cartridge

### Cartridge(s) Shipping with Product

6,000\*-page color (CMY) starter Return Program Toner Cartridges, 6,000\*-page Black starter Return Program Toner Cartridge

### Packaged Size (in. - H x W x D)

21.5 x 23.1 x 21.8 in.

### Size (in. - H x W x D)

17.7 x 17.1 x 18.5 in.

### Size, Trays Extended (in. - H x W x D)

17.7 x 17.1 x 20.7 in.

### Weight (lb.)

56.7 lb.

### Noise Level, Idle

33 dBA

### Print Noise Level, Operating

54 dBA

## Product Warranty

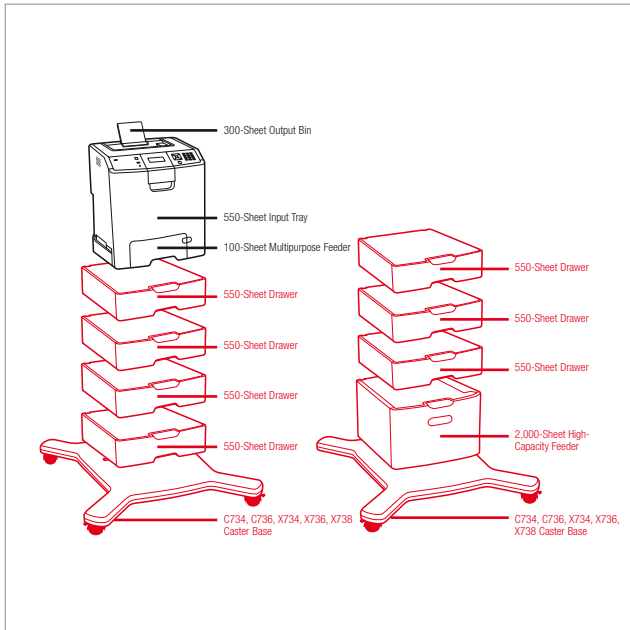
1-Year Onsite Service, Next Business Day

### Maximum Monthly Duty Cycle

Up to 85,000 pages per month

### Recommended Monthly Page Volume

2,500 - 10,000 pages



Paper Handling Standard  
 Paper Handling Optional

| Part #  | Model         |
|---------|---------------|
| 25A0450 | Lexmark C736n |

| Part #   | Laser Toner/Print Cartridge   |
|----------|---|
| C736H1KG | C736, X736, X738 Black High Yield Return Program Toner Cartridge    |
| C734A1KG | C734, C736, X734, X736, X738 Black Return Program Toner Cartridge   |
| C736H1CG | C736, X736, X738 Cyan High Yield Return Program Toner Cartridge     |
| C734A1CG | C734, C736, X734, X736, X738 Cyan Return Program Toner Cartridge    |
| C736H1MG | C736, X736, X738 Magenta High Yield Return Program Toner Cartridge  |
| C734A1MG | C734, C736, X734, X736, X738 Magenta Return Program Toner Cartridge |
| C736H1YG | C736, X736, X738 Yellow High Yield Return Program Toner Cartridge   |
| C734A1YG | C734, C736, X734, X736, X738 Yellow Return Program Toner Cartridge  |
| C736H2KG | C736, X736, X738 Black High Yield Toner Cartridge                   |
| C734A2KG | C734, C736, X734, X736, X738 Black Toner Cartridge                  |
| C736H2CG | C736, X736, X738 Cyan High Yield Toner Cartridge                    |
| C734A2CG | C734, C736, X734, X736, X738 Cyan Toner Cartridge                   |
| C736H2MG | C736, X736, X738 Magenta High Yield Toner Cartridge                 |
| C734A2MG | C734, C736, X734, X736, X738 Magenta Toner Cartridge                |
| C736H2YG | C736, X736, X738 Yellow High Yield Toner Cartridge                  |
| C734A2YG | C734, C736, X734, X736, X738 Yellow Toner Cartridge                 |
| C734X77G | Waste Toner Box   |
| C734X20G | C734, C736, X734, X736, X738 Photoconductor Unit                    |
| C734X24G | C734, C736, X734, X736, X738 Photoconductor Unit, 4-Pack            |

| Part #  | Paper & Transparencies                          |
|---------|---|
| 12A5950 | Glossy Laser Paper, Letter (200 sheets)         |
| 12A8240 | Professional Color Laser Transparencies, Letter |

| Part #  | Paper Handling   |
|---------|--|
| 27S2100 | C734, C736, X734e, X736e, X738e 550-Sheet Drawer                 |
| 27S2190 | 4.8 inch (12.2 cm) Spacer  |
| 27S2400 | 2,000-Sheet High Capacity Feeder                                 |
| 27S2650 | C734, C736, X734e, X736e, X738e 550-Sheet Specialty Media Drawer |

| Part #  | Furniture                                |
|---------|--|
| 16M1210 | C734, C736, X734, X736, X738 Caster Base |

| Part #  | Memory Options                |
|---------|-------------------------------|
| 1025041 | 256MB DDR2-DRAM               |
| 1025042 | 512MB DDR2-DRAM               |
| 1025043 | 1024MB DDR2-DRAM              |
| 14F0245 | 256MB Flash Card              |
| 14F0102 | 80+ GB Hard Disk              |
| 30G0828 | Japanese Font Card            |
| 30G0825 | Korean Font Card              |
| 30G0826 | Simplified Chinese Font Card  |
| 30G0827 | Traditional Chinese Font Card |

| Part #  | Application Solutions      |
|---------|----------------------------|
| 30G0829 | Lexmark PrintCryption Card |

|         |                                    |
|---------|------------------------------------|
| 25C0434 | C734, C736 Card for IPDS/SCS/TNe   |
| 25C0433 | C734, C736 Forms and Bar Code Card |

| Part #  | Connectivity  |
|---------|---|
| 14F0037 | MarkNet N8120 Gigabit Ethernet Print Server                   |
| 14F0042 | MarkNet N8130 Fiber Ethernet 100BaseFX, 10BaseFL Print Server |
| 14F0040 | MarkNet N8150 802.11b/g/n Wireless Print Server               |
| 14T0145 | Lexmark N4050e 802.11g Wireless Print Server                  |
| 14T0220 | MarkNet™ N7020e Gigabit Ethernet Print Server                 |
| 1021294 | USB Cable (2-meter)   |
| 14F0000 | Parallel 1284-B Interface Card                                |
| 1021231 | Parallel Cable (10-foot)                                      |
| 14F0100 | RS-232C Serial Interface Card                                 |

| Part #  | Extended Warranties                             |
|---------|---|
| 2350798 | 2-Years Total Onsite Service, Next Business Day |
| 2350799 | 3-Years Total Onsite Service, Next Business Day |
| 2350800 | 4-Years Total Onsite Service, Next Business Day |
| 2350801 | 5-Years Total Onsite Service, Next Business Day |

| Part #  | User Replaceable Parts                |
|---------|---------------------------------------|
| 40X5093 | C73x, X73x Fuser Maintenance 110-120V |
| 40X5096 | C73x, X73x Transfer Belt Maintenance  |
| 40X5168 | Pick Tire                             |
| 40X5152 | Pick Tire, Special Media Drawer       |

| Part #  | Installation Service             |
|---------|----------------------------------|
| 2350814 | C736 Install, De-Install Service |



# Lexmark C736dn

High-performance color workgroup printer with enhanced speed and processing power, ideal for high volumes. Includes built-in duplex printing

## Print Technology

Color Laser

### Print Speed (Letter, Black)

Up to 35 ppm

### Print Speed (Letter, Color)

Up to 35 ppm

### Print Speed (Letter, Black) Duplex

Up to 23 ppm

### Time to First Page (Black)

As fast as 9 seconds

### Time to First Page (Color)

As fast as 9 seconds

### Print Resolution, Black

1200 x 1200 dpi, 4800 Color Quality (2400 x 600 dpi)

### Print Resolution, Color

1200 x 1200 dpi, 4800 Color Quality (2400 x 600 dpi)

### Processor

900 MHz

### Memory, Standard

256 MB

### Memory, Maximum

1280 MB

### Expandable Memory Options

Yes

### Apple Macintosh Operating Systems Supported

Mac OS X, Mac OS 9.2

### Citrix MetaFrame

Microsoft Windows 2000 Server running Terminal Services with Citrix Presentation Server 3.0, 4.0, Microsoft Windows Server 2003 running Terminal Services with Citrix Presentation Server 3.0, 4.0, 4.5, Microsoft Windows Server 2003 x64 running Terminal Services with Citrix Presentation Server 4.0 x64, 4.5 x64

### Linux Operating Systems Supported

Linux Linux Desktop 9.2, 9.3, Red Hat Enterprise Linux WS 3.0, 4.0, 5.0, SUSE Linux Enterprise Server 8.0, 9.0, 10.0, SUSE Linux Enterprise Desktop 10, openSUSE 10.2, 10.3, 11.0, Linspire Linux 6.0, Debian GNU/Linux 4.0, Red Flag Linux Desktop 5.0, 6.0, Ubuntu 7.10, Ubuntu 8.04 LTS

### Microsoft Windows Operating Systems Supported

2000, XP, Server 2003, XP x64, Server 2003 running Terminal Services, 2000 Server running Terminal Services, Server 2003 x64, Server 2003 x64 running Terminal Services, Vista, Vista x64, Server 2008, Server 2008 x64, Server 2008 running Terminal Services, Server 2008 x64 running Terminal Services

### Novell Operating Systems Supported

Open Enterprise Server for Netware with NDS, iPrint or Novell Distributed Print Services (NDPS), NetWare 5.x, 6.x with iPrint or Novell Distributed Print Services (NDPS)

### UNIX Operating Systems Supported

Sun Solaris SPARC 8, 9, 10, Sun Solaris x86 10, HP-UX 11.11, 11.23, 11.31, IBM AIX 5.2, 5.3, 6.1

## Paper Handling Standard

300-Sheet Output Bin, Integrated Duplex, 100-Sheet

Multipurpose Feeder, 550-Sheet Input Tray

## Paper Handling Optional

550-Sheet Drawer, 2,000-Sheet High-Capacity Feeder,

550-Sheet Specialty Media Drawer

### Paper Input Capacity, Standard: Up to

650 pages 20 lb or 75 gsm bond

### Paper Input Capacity, Maximum: Up to

4300 pages 20 lb or 75 gsm bond

### Paper Output Capacity, Standard: Up to

300 pages 20 lb or 75 gsm bond

### Paper Output Capacity, Maximum: Up to

300 pages 20 lb or 75 gsm bond

### Finishing Option

No

### Number of Paper Inputs, Standard

2

### Number of Paper Inputs, Maximum

6

### Media Types Supported

Card Stock, Envelopes, Glossy Paper, Paper Labels, Plain Paper, Transparencies, Vinyl Labels, Refer to the Card Stock & Label Guide

### Media Sizes Supported

10 Envelope, 7 3/4 Envelope, 9 Envelope, A4, A5, B5 Envelope, C5 Envelope, DL Envelope, B5, Executive, Folio, JIS-B5, Legal, Letter, Statement, Universal, Oficio

## Standard Ports

Ethernet 10/100BaseTX (RJ-45), USB 2.0 Specification Hi-Speed Certified (Type B), PictBridge Certified Port, Front USB 2.0 Specification Hi-Speed Certified Port (Type A)

### Optional Network Ports

Lexmark N4050e 802.11g Wireless Print Server (Print Only), External MarkNet™ N7020e Gigabit Ethernet, Internal MarkNet™ N8120 Gigabit Ethernet, Internal MarkNet™ N8130 Fiber Fast Ethernet, Internal MarkNet™ N8150 802.11b/g/n Wireless

### Network Printing Methods

LPR/LPD, Direct IP (Port 9100), HTTP, NDS Queue-based Printing, NDPS/NEPS (Novell Distributed Print Services), Novell Netware Enterprise Print Services, Enhanced IP (Port 9400), FTP, TFTP, IPP 1.1 (Internet Printing Protocol), ThinPrint .print integration

### Network Protocol Support

TCP/IP IPv4, IPX/SPX, AppleTalk™, LexLink (LNC), TCP/IP IPv6, TCP, UDP

### Network Security

SNMPv3, 802.1x Authentication: MD5, MSCHAPv2, LEAP, PEAP, TLS, TTLS, IPsec

### Printable Area

0.167 inches of the top, bottom, right and left edges (with/in)

### Printer Languages (Standard)

PCL 5c Emulation, PCL 6 Emulation, Personal Printer Data Stream (PPDS), PostScript 3 Emulation, xHTML, PDF 1.6, Direct Image, Microsoft XPS (XML Paper

## Specification

### Supplies Yield

\*Average continuous black or continuous composite CMY declared cartridge yield up to this number of standard pages in accordance with ISO/IEC 19798. , 6,000\*-page color Toner Cartridges (CMY), 8,000\*-page Black Toner Cartridge, 10,000\*-page color High Yield Toner Cartridges (CMY), 12,000\*-page Black High Yield Toner Cartridge

### Cartridge(s) Shipping with Product

6,000\*-page color (CMY) starter Return Program Toner Cartridges, 6,000\*-page Black starter Return Program Toner Cartridge

### Packaged Size (in. - H x W x D)

22.4 x 24.9 x 21.8 in.

### Size (in. - H x W x D)

17.7 x 17.1 x 18.5 in.

### Size, Trays Extended (in. - H x W x D)

17.7 x 17.1 x 20.7 in.

### Weight (lb.)

56.7 lb.

### Noise Level, Idle

33 dBA

### Print Noise Level, Operating

54 dBA

### Product Warranty

1-Year Onsite Service, Next Business Day

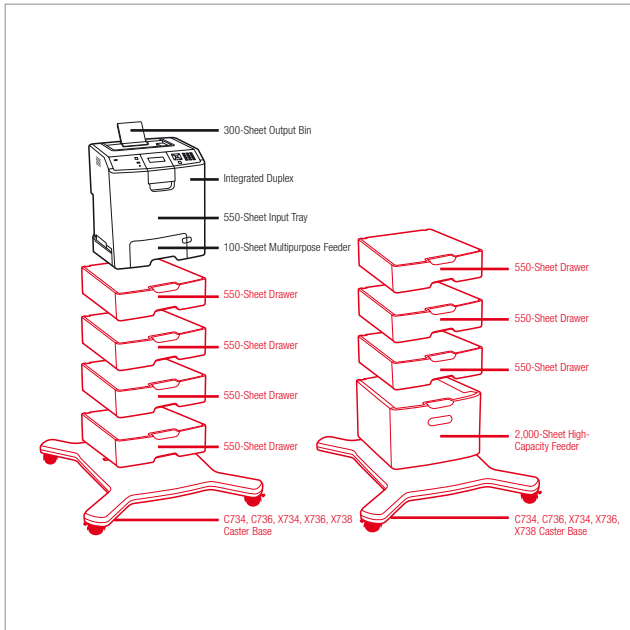
### Maximum Monthly Duty Cycle

Up to 85,000 pages per month

### Recommended Monthly Page Volume

2,500 - 10,000 pages





Paper Handling Standard  
 Paper Handling Optional

| Part #  | Model          |
|---------|----------------|
| 25A0451 | Lexmark C736dn |

| Part #   | Laser Toner/Print Cartridge   |
|----------|---|
| C736H1KG | C736, X736, X738 Black High Yield Return Program Toner Cartridge    |
| C734A1KG | C734, C736, X734, X736, X738 Black Return Program Toner Cartridge   |
| C736H1CG | C736, X736, X738 Cyan High Yield Return Program Toner Cartridge     |
| C734A1CG | C734, C736, X734, X736, X738 Cyan Return Program Toner Cartridge    |
| C736H1MG | C736, X736, X738 Magenta High Yield Return Program Toner Cartridge  |
| C734A1MG | C734, C736, X734, X736, X738 Magenta Return Program Toner Cartridge |
| C736H1YG | C736, X736, X738 Yellow High Yield Return Program Toner Cartridge   |
| C734A1YG | C734, C736, X734, X736, X738 Yellow Return Program Toner Cartridge  |
| C736H2KG | C736, X736, X738 Black High Yield Toner Cartridge                   |
| C734A2KG | C734, C736, X734, X736, X738 Black Toner Cartridge                  |
| C736H2CG | C736, X736, X738 Cyan High Yield Toner Cartridge                    |
| C734A2CG | C734, C736, X734, X736, X738 Cyan Toner Cartridge                   |
| C736H2MG | C736, X736, X738 Magenta High Yield Toner Cartridge                 |
| C734A2MG | C734, C736, X734, X736, X738 Magenta Toner Cartridge                |
| C736H2YG | C736, X736, X738 Yellow High Yield Toner Cartridge                  |
| C734A2YG | C734, C736, X734, X736, X738 Yellow Toner Cartridge                 |
| C734X77G | Waste Toner Box   |
| C734X20G | C734, C736, X734, X736, X738 Photoconductor Unit                    |
| C734X24G | C734, C736, X734, X736, X738 Photoconductor Unit, 4-Pack            |

| Part #  | Paper & Transparencies                          |
|---------|---|
| 12A5950 | Glossy Laser Paper, Letter (200 sheets)         |
| 12A8240 | Professional Color Laser Transparencies, Letter |

| Part #  | Paper Handling   |
|---------|--|
| 27S2100 | C734, C736, X734e, X736e, X738e 550-Sheet Drawer                 |
| 27S2400 | 2,000-Sheet High Capacity Feeder                                 |
| 27S2650 | C734, C736, X734e, X736e, X738e 550-Sheet Specialty Media Drawer |
| 27S2190 | 4.8 inch (12.2 cm) Spacer  |

| Part #  | Furniture                                |
|---------|--|
| 16M1210 | C734, C736, X734, X736, X738 Caster Base |

| Part #  | Memory Options                |
|---------|-------------------------------|
| 1025041 | 256MB DDR2-DRAM               |
| 1025042 | 512MB DDR2-DRAM               |
| 1025043 | 1024MB DDR2-DRAM              |
| 14F0245 | 256MB Flash Card              |
| 14F0102 | 80+ GB Hard Disk              |
| 30G0828 | Japanese Font Card            |
| 30G0825 | Korean Font Card              |
| 30G0826 | Simplified Chinese Font Card  |
| 30G0827 | Traditional Chinese Font Card |

| Part #  | Application Solutions        |
|---------|------------------------------|
| 30G0829 | Lexmark PrintEncryption Card |

|         |                                    |
|---------|------------------------------------|
| 25C0434 | C734, C736 Card for IPDS/SCS/TNe   |
| 25C0433 | C734, C736 Forms and Bar Code Card |

| Part #  | Connectivity  |
|---------|---|
| 14F0037 | MarkNet N8120 Gigabit Ethernet Print Server                   |
| 14F0042 | MarkNet N8130 Fiber Ethernet 100BaseFX, 10BaseFL Print Server |
| 14F0040 | MarkNet N8150 802.11b/g/n Wireless Print Server               |
| 14T0145 | Lexmark N4050e 802.11g Wireless Print Server                  |
| 14T0220 | MarkNet™ N7020e Gigabit Ethernet Print Server                 |
| 1021294 | USB Cable (2-meter)   |
| 14F0000 | Parallel 1284-B Interface Card                                |
| 1021231 | Parallel Cable (10-foot)                                      |
| 14F0100 | RS-232C Serial Interface Card                                 |

| Part #  | Extended Warranties                             |
|---------|---|
| 2350798 | 2-Years Total Onsite Service, Next Business Day |
| 2350799 | 3-Years Total Onsite Service, Next Business Day |
| 2350800 | 4-Years Total Onsite Service, Next Business Day |
| 2350801 | 5-Years Total Onsite Service, Next Business Day |

| Part #  | User Replaceable Parts                |
|---------|---------------------------------------|
| 40X5093 | C73x, X73x Fuser Maintenance 110-120V |
| 40X5096 | C73x, X73x Transfer Belt Maintenance  |
| 40X5168 | Pick Tire                             |
| 40X5152 | Pick Tire, Special Media Drawer       |

| Part #  | Installation Service             |
|---------|----------------------------------|
| 2350814 | C736 Install, De-Install Service |



# Lexmark C736dtn

High-performance color workgroup printer with enhanced speed and processing power, ideal for high volumes. Includes built-in duplex printing and extra input capacity

## Print Technology

Color Laser

### Print Speed (Letter, Black)

Up to 35 ppm

### Print Speed (Letter, Color)

Up to 35 ppm

### Print Speed (Letter, Black) Duplex

Up to 23 ppm

### Time to First Page (Black)

As fast as 9 seconds

### Time to First Page (Color)

As fast as 9 seconds

### Print Resolution, Black

1200 x 1200 dpi, 4800 Color Quality (2400 x 600 dpi)

### Print Resolution, Color

1200 x 1200 dpi, 4800 Color Quality (2400 x 600 dpi)

### Processor

900 Mhz

### Memory, Standard

256 MB

### Memory, Maximum

1280 MB

### Expandable Memory Options

Yes

### Apple Macintosh Operating Systems Supported

Mac OS X, Mac OS 9.2

### Citrix MetaFrame

Microsoft Windows 2000 Server running Terminal Services with Citrix Presentation Server 3.0, 4.0, Microsoft Windows Server 2003 running Terminal Services with Citrix Presentation Server 3.0, 4.0, 4.5, Microsoft Windows Server 2003 x64 running Terminal Services with Citrix Presentation Server 4.0 x64, 4.5 x64

### Linux Operating Systems Supported

Linpus Linux Desktop 9.2, 9.3, Red Hat Enterprise Linux WS 3.0, 4.0, 5.0, SUSE Linux Enterprise Server 8.0, 9.0, 10.0, SUSE Linux Enterprise Desktop 10, openSUSE 10.2, 10.3, 11.0, Linspire Linux 6.0, Debian GNU/Linux 4.0, Red Flag Linux Desktop 5.0, 6.0, Ubuntu 7.10, Ubuntu 8.04 LTS

### Microsoft Windows Operating Systems Supported

2000, XP, Server 2003, XP x64, Server 2003 running Terminal Services, 2000 Server running Terminal Services, Server 2003 x64, Server 2003 x64 running Terminal Services, Vista, Vista x64, Server 2008, Server 2008 x64, Server 2008 running Terminal Services, Server 2008 x64 running Terminal Services

### Novell Operating Systems Supported

Open Enterprise Server for Netware with NDS, iPrint or Novell Distributed Print Services (NDPS), NetWare 5.x, 6.x with iPrint or Novell Distributed Print Services (NDPS)

### UNIX Operating Systems Supported

Sun Solaris SPARC 8, 9, 10, Sun Solaris x86 10, HP-UX 11.11, 11.23, 11.31, IBM AIX 5.2, 5.3, 6.1

### Paper Handling Standard

300-Sheet Output Bin, Integrated Duplex, 100-Sheet

Multipurpose Feeder, 550-Sheet Drawer, 550-Sheet Input Tray

### Paper Handling Optional

550-Sheet Drawer, 2,000-Sheet High-Capacity Feeder,

550-Sheet Specialty Media Drawer

### Paper Input Capacity, Standard: Up to

1200 pages 20 lb or 75 gsm bond

### Paper Input Capacity, Maximum: Up to

4300 pages 20 lb or 75 gsm bond

### Paper Output Capacity, Standard: Up to

300 pages 20 lb or 75 gsm bond

### Paper Output Capacity, Maximum: Up to

300 pages 20 lb or 75 gsm bond

### Finishing Option

No

### Number of Paper Inputs, Standard

3

### Number of Paper Inputs, Maximum

6

### Media Types Supported

Card Stock, Envelopes, Glossy Paper, Paper Labels, Plain Paper, Transparencies, Vinyl Labels, Refer to the Card Stock & Label Guide

### Media Sizes Supported

10 Envelope, 7 3/4 Envelope, 9 Envelope, A4, A5, B5 Envelope, C5 Envelope, DL Envelope, B5, Executive, Folio, JIS-B5, Legal, Letter, Statement, Universal, Office

### Standard Ports

Ethernet 10/100BaseTX (RJ-45), USB 2.0 Specification Hi-Speed Certified (Type B), PictBridge Certified Port, Front USB 2.0 Specification Hi-Speed Certified Port (Type A)

### Optional Network Ports

Lexmark N4050e 802.11g Wireless Print Server (Print Only), External MarkNet™ N7020e Gigabit Ethernet, Internal MarkNet™ N8120 Gigabit Ethernet, Internal MarkNet™ N8130 Fiber Fast Ethernet, Internal MarkNet™ N8150 802.11b/g/n Wireless

### Network Printing Methods

LPR/LPD, Direct IP (Port 9100), HTTP, NDS Queue-based Printing, NDPS/NEPS (Novell Distributed Print Services), Novell Netware Enterprise Print Services, Enhanced IP (Port 9400), FTP, TFTP, IPP 1.1 (Internet Printing Protocol), ThinPrint .print integration

### Network Protocol Support

TCP/IP IPv4, IPX/SPX, AppleTalk™, LexLink (DLC), TCP/IP IPv6, TCP, UDP

### Network Security

SNMPv3, 802.1x Authentication: MD5, MSCHAPv2, LEAP, PEAP, TLS, TLS, IPsec

### Printable Area

0.167 inches of the top, bottom, right and left edges (within)

### Printer Languages (Standard)

PCL 5c Emulation, PCL 6 Emulation, Personal Printer Data Stream (PPDS), PostScript 3 Emulation, xHTML™,

PDF 1.6, Direct Image, Microsoft XPS (XML Paper Specification)

### Supplies Yield

\*Average continuous black or continuous composite CMY declared cartridge yield up to this number of standard pages in accordance with ISO/IEC 19798., 6,000\*-page color Toner Cartridges (CMY), 8,000\*-page Black Toner Cartridge, 10,000\*-page color High Yield Toner Cartridges (CMY), 12,000\*-page Black High Yield Toner Cartridge

### Cartridge(s) Shipping with Product

6,000\*-page color (CMY) starter Return Program Toner Cartridges, 6,000\*-page Black starter Return Program Toner Cartridge

### Packaged Size (in. - H x W x D)

29.9 x 23.4 x 21.8 in.

### Size (in. - H x W x D)

22.7 x 17.1 x 21.5 in.

### Weight (lb.)

65.45 lb.

### Noise Level, Idle

33 dBA

### Print Noise Level, Operating

54 dBA

### Product Warranty

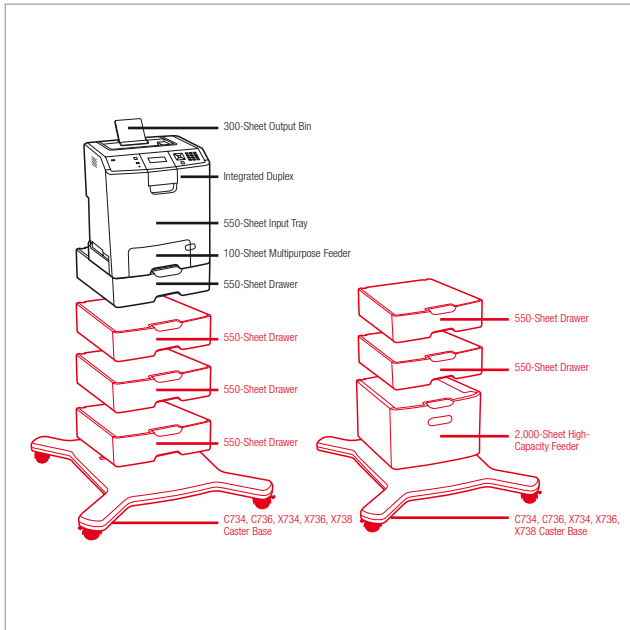
1-Year Onsite Service, Next Business Day

### Maximum Monthly Duty Cycle

Up to 85,000 pages per month

### Recommended Monthly Page Volume

2,500 - 10,000 pages



Paper Handling Standard  
 Paper Handling Optional

| Part #  | Model           |
|---------|-----------------|
| 25A0452 | Lexmark C736dtn |

| Part #   | Laser Toner/Print Cartridge   |
|----------|---|
| C736H1KG | C736, X736, X738 Black High Yield Return Program Toner Cartridge    |
| C734A1KG | C734, C736, X734, X736, X738 Black Return Program Toner Cartridge   |
| C736H1CG | C736, X736, X738 Cyan High Yield Return Program Toner Cartridge     |
| C734A1CG | C734, C736, X734, X736, X738 Cyan Return Program Toner Cartridge    |
| C736H1MG | C736, X736, X738 Magenta High Yield Return Program Toner Cartridge  |
| C734A1MG | C734, C736, X734, X736, X738 Magenta Return Program Toner Cartridge |
| C736H1YG | C736, X736, X738 Yellow High Yield Return Program Toner Cartridge   |
| C734A1YG | C734, C736, X734, X736, X738 Yellow Return Program Toner Cartridge  |
| C736H2KG | C736, X736, X738 Black High Yield Toner Cartridge                   |
| C734A2KG | C734, C736, X734, X736, X738 Black Toner Cartridge                  |
| C736H2CG | C736, X736, X738 Cyan High Yield Toner Cartridge                    |
| C734A2CG | C734, C736, X734, X736, X738 Cyan Toner Cartridge                   |
| C736H2MG | C736, X736, X738 Magenta High Yield Toner Cartridge                 |
| C734A2MG | C734, C736, X734, X736, X738 Magenta Toner Cartridge                |
| C736H2YG | C736, X736, X738 Yellow High Yield Toner Cartridge                  |
| C734A2YG | C734, C736, X734, X736, X738 Yellow Toner Cartridge                 |
| C734X77G | Waste Toner Box   |
| C734X20G | C734, C736, X734, X736, X738 Photoconductor Unit                    |
| C734X24G | C734, C736, X734, X736, X738 Photoconductor Unit, 4-Pack            |

| Part #  | Paper & Transparencies                          |
|---------|---|
| 12A5950 | Glossy Laser Paper, Letter (200 sheets)         |
| 12A8240 | Professional Color Laser Transparencies, Letter |

| Part #  | Paper Handling   |
|---------|--|
| 27S2100 | C734, C736, X734e, X736e, X738e 550-Sheet Drawer                 |
| 27S2400 | 2,000-Sheet High Capacity Feeder                                 |
| 27S2650 | C734, C736, X734e, X736e, X738e 550-Sheet Specialty Media Drawer |
| 27S2190 | 4.8 inch (12.2 cm) Spacer  |

| Part #  | Furniture                                |
|---------|--|
| 16M1210 | C734, C736, X734, X736, X738 Caster Base |

| Part #  | Memory Options                |
|---------|-------------------------------|
| 1025041 | 256MB DDR2-DRAM               |
| 1025042 | 512MB DDR2-DRAM               |
| 1025043 | 1024MB DDR2-DRAM              |
| 14F0245 | 256MB Flash Card              |
| 14F0102 | 80+ GB Hard Disk              |
| 30G0828 | Japanese Font Card            |
| 30G0825 | Korean Font Card              |
| 30G0826 | Simplified Chinese Font Card  |
| 30G0827 | Traditional Chinese Font Card |

| Part #  | Application Solutions        |
|---------|------------------------------|
| 30G0829 | Lexmark PrintEncryption Card |

|         |                                    |
|---------|------------------------------------|
| 25C0434 | C734, C736 Card for IPDS/SCS/TNe   |
| 25C0433 | C734, C736 Forms and Bar Code Card |

| Part #  | Connectivity  |
|---------|---|
| 14F0037 | MarkNet N8120 Gigabit Ethernet Print Server                   |
| 14F0042 | MarkNet N8130 Fiber Ethernet 100BaseFX, 10BaseFL Print Server |
| 14F0040 | MarkNet N8150 802.11b/g/n Wireless Print Server               |
| 14T0145 | Lexmark N4050e 802.11g Wireless Print Server                  |
| 14T0220 | MarkNet™ N7020e Gigabit Ethernet Print Server                 |
| 1021294 | USB Cable (2-meter)   |
| 14F0000 | Parallel 1284-B Interface Card                                |
| 1021231 | Parallel Cable (10-foot)                                      |
| 14F0100 | RS-232C Serial Interface Card                                 |

| Part #  | Extended Warranties                             |
|---------|---|
| 2350798 | 2-Years Total Onsite Service, Next Business Day |
| 2350799 | 3-Years Total Onsite Service, Next Business Day |
| 2350800 | 4-Years Total Onsite Service, Next Business Day |
| 2350801 | 5-Years Total Onsite Service, Next Business Day |

| Part #  | User Replaceable Parts                |
|---------|---------------------------------------|
| 40X5093 | C73x, X73x Fuser Maintenance 110-120V |
| 40X5096 | C73x, X73x Transfer Belt Maintenance  |
| 40X5168 | Pick Tire                             |
| 40X5152 | Pick Tire, Special Media Drawer       |

| Part #  | Installation Service             |
|---------|----------------------------------|
| 2350814 | C736 Install, De-Install Service |



# Lexmark C782n

Network-ready, color laser printer with the speed and versatility for high-quality in-house printing

## Print Technology

Color Laser

### Print Speed (Letter, Black)

Up to 40 ppm

### Print Speed (Letter, Color)

Up to 35 ppm

### Time to First Page (Black)

As fast as 11 seconds

### Time to First Page (Color)

As fast as 13 seconds

### Print Resolution, Black

1200 x 1200 dpi, 4800 Color Quality (2400 x 600 dpi)

### Print Resolution, Color

1200 x 1200 dpi, 4800 Color Quality (2400 x 600 dpi)

### Processor

800 / 133 MHz

### Memory, Standard

256 MB

### Memory, Maximum

768 MB

### Expandable Memory Options

Yes

### Apple Macintosh Operating Systems Supported

Mac OS X, Mac OS 9.2

### Citrix MetaFrame

Citrix, MetaFrame and MetaFrame XP are registered trademarks or trademarks of Citrix Systems, Inc. in the U.S. and other countries., Microsoft Windows 2000 Server running Terminal Services with Citrix MetaFrame XP Presentation Server or Citrix MetaFrame Presentation Server 3.0., Microsoft Windows Server 2003 running Terminal Services with Citrix MetaFrame XP Presentation Server or Citrix MetaFrame Presentation Server 3.0, Microsoft Windows 2000 Server running Terminal Services with Citrix Presentation Server 4.0, Microsoft Windows Server 2003 running Terminal Services with Citrix Presentation Server 4.0, Microsoft Windows Server 2003 x64 running Terminal Services with Citrix Presentation Server 4.0

### Linux Operating Systems Supported

Red Flag Linux Desktop 4.0, 5.0, Linpus Linux Desktop 9.2, 9.3, Red Hat Enterprise Linux WS 3.0, 4.0, 5.0, SUSE Linux Enterprise Server 8.0, 9.0, 10.0, Debian GNU/Linux 3.1, 4.0, Linspire Linux 5.0, SUSE Linux 10.0, 10.1, 10.2

### Microsoft Windows Operating Systems Supported

2000, NT (4.00/4.00 Server), XP, Server 2003, XP x64, Server 2003 running Terminal Services, 2000 Server running Terminal Services, Server 2003 x64, Server 2003 x64 running Terminal Services, Vista, Vista x64

### Novell Operating Systems Supported

Open Enterprise Server for Netware with NDS, iPrint or Novell Distributed Print Services (NDPS), NetWare® 3.2, 4.2 (bindery), NetWare 4.2, 5.x and 6.x (NDS), NetWare 5.x, 6.x with iPrint or Novell Distributed Print Services (NDPS)

### UNIX Operating Systems Supported

Sun Solaris SPARC 8, 9, 10, HP-UX 11.00, 11.1, IBM AIX

5.1, 5.2, 5.3, Sun Solaris x86 10

### Other Operating Systems Supported

IBM iSeries or IBM AS/400® Systems with TCP/IP with OS/400® V3R1 or later using OS/400 Host Print Transform, Virtually any platform supporting TCP/IP

### Paper Handling Standard

250-Sheet Output Bin, 500-Sheet Input Tray, 100-Sheet Multipurpose Feeder

### Paper Handling Optional

5-Bin Mailbox, 650-Sheet Output Expander, StapleSmart Finisher, Duplex Unit, 500-Sheet Drawer, Envelope Drawer, Banner Media Tray, Outdoor Media Drawer, 2,000-Sheet High-Capacity Feeder

### Paper Input Capacity, Standard: Up to

600 pages 20 lb or 75 gsm bond

### Paper Input Capacity, Maximum: Up to

3100 pages 20 lb or 75 gsm bond

### Paper Output Capacity, Standard: Up to

250 pages 20 lb or 75 gsm bond

### Paper Output Capacity, Maximum: Up to

900 pages 20 lb or 75 gsm bond

### Finishing Option

Yes

### Number of Paper Inputs, Standard

2

### Number of Paper Inputs, Maximum

5

### Media Types Supported

Card Stock, Envelopes, Glossy Paper, Labels, Plain Paper, Transparencies, Refer to the Card Stock & Label Guide, Outdoor Media, Banner Paper

### Media Sizes Supported

10 Envelope, 7 3/4 Envelope, 9 Envelope, A4, A5, B5 Envelope, C5 Envelope, DL Envelope, Executive, Folio, JIS-B5, Legal, Letter, Statement, Universal, Banner

### Standard Ports

Ethernet 10/100BaseTX (RJ-45), One Internal Card Slot, USB Compatible with USB 2.0 Specification (Type B), USB Direct interface on Operator Panel

### Optional Network Ports

Lexmark N4050e 802.11g Wireless Print Server (Print Only), Internal MarkNet™ N8020 Gigabit Ethernet, Internal MarkNet™ N8050 802.11g Wireless, External MarkNet™ N7020e Gigabit Ethernet, Internal MarkNet™ N8030 Fiber Fast Ethernet

### Network Printing Methods

LPR/LPD, Direct IP (Port 9100), Socket (Raw TCP/IP), IPP (Internet Printing Protocol), HTTP, NDS Queue-based Printing, NDPS/NEPS (Novell Distributed Print Services, Novell Network Enterprise Print Services), Enhanced IP (Port 9400)

### Network Protocol Support

TCP/IP IPv4, IPX/SPX, AppleTalk™, LexLink (DLC), TCP/IP IPv6

### Network Security

SSL™ Enabled Embedded Web Server (HTTPS), SNMPv3, TCP/IP port access control, 802.1x Authentication: MD5, MSCHAPv2, LEAP, PEAP, TLS, TTLS, IPsec, \*This product includes software developed by the OpenSSL Project for use in the OpenSSL Toolkit.

### Printable Area

0.167 inches of the top, bottom, right and left edges (within)

### Printer Languages (Standard)

PCL 5c Emulation, PCL 6 Emulation, Personal Printer Data Stream (PPDS), PostScript 3 Emulation, PDF 1.5, xHTML, Direct Image

### Supplies Yield

6,000\*-page (CMYK) Print Cartridges, 10,000\*-page (CMYK) High Yield Print Cartridges, 15,000\*-page (CMYK) Extra High Yield Print Cartridges, Ships with 10,000\*-page black and color High Yield Return Program Print Cartridges, \*Average continuous black or continuous composite CMY declared cartridge yield up to this number of standard pages in accordance with ISO/IEC 19798.

### Packaged Size (in. - H x W x D)

31.9 x 31.3 x 25.6 in.

### Size (in. - H x W x D)

20.8 x 23.8 x 18.5 in.

### Weight (lb.)

105 lb.

### Noise Level, Idle

30 dBA

### Print Noise Level, Operating

53 dBA

### Product Warranty

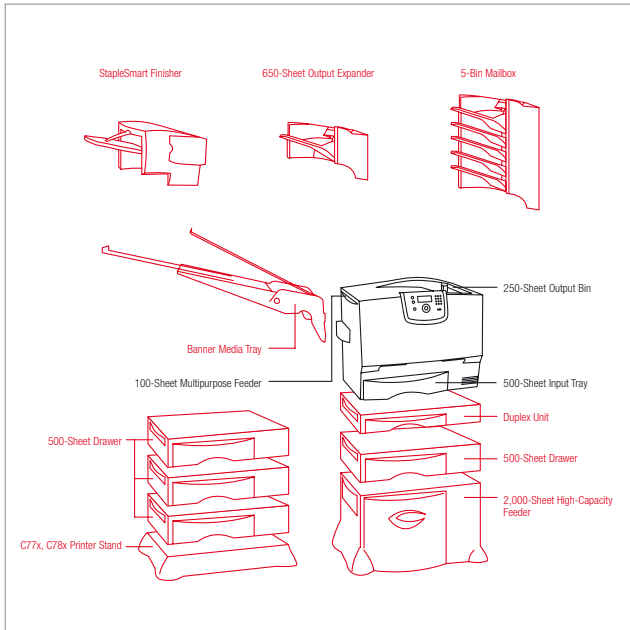
One Year Onsite Repair

### Maximum Monthly Duty Cycle

Up to 150,000 pages per month

### Recommended Monthly Page Volume

2,500 - 17,000 pages



Paper Handling Standard  
 Paper Handling Optional

| Part #  | Model          |
|---------|----------------|
| 10Z0100 | Lexmark C782zn |

| Part #   | Laser Toner/Print Cartridge                                  |
|----------|--|
| C782X1KG | C782 Black Extra High Yield Return Program Print Cartridge   |
| C780H1KG | C780, C782 Black High Yield Return Program Print Cartridge   |
| C780A1KG | C780, C782 Black Return Program Print Cartridge              |
| C782X2KG | C782 Black Extra High Yield Print Cartridge                  |
| C780H2KG | C780, C782 Black High Yield Print Cartridge                  |
| C780A2KG | C780, C782 Black Print Cartridge                             |
| C782X1CG | C782 Cyan Extra High Yield Return Program Print Cartridge    |
| C780H1CG | C780, C782 Cyan High Yield Return Program Print Cartridge    |
| C780A1CG | C780, C782 Cyan Return Program Print Cartridge               |
| C782X2CG | C782 Cyan Extra High Yield Print Cartridge                   |
| C780H2CG | C780, C782 Cyan High Yield Print Cartridge                   |
| C780A2CG | C780, C782 Cyan Print Cartridge                              |
| C782X1MG | C782 Magenta Extra High Yield Return Program Print Cartridge |
| C780H1MG | C780, C782 Magenta High Yield Return Program Print Cartridge |
| C780A1MG | C780, C782 Magenta Return Program Print Cartridge            |
| C782X2MG | C782 Magenta Extra High Yield Print Cartridge                |
| C780H2MG | C780, C782 Magenta High Yield Print Cartridge                |
| C780A2MG | C780, C782 Magenta Print Cartridge                           |
| C782X1YG | C782 Yellow Extra High Yield Return Program Print Cartridge  |
| C780H1YG | C780, C782 Yellow High Yield Return Program Print Cartridge  |
| C780A1YG | C780, C782 Yellow Return Program Print Cartridge             |
| C782X2YG | C782 Yellow Extra High Yield Print Cartridge                 |
| C780H2YG | C780, C782 Yellow High Yield Print Cartridge                 |
| C780A2YG | C780, C782 Yellow Print Cartridge                            |
| 10B3100  | Waste Toner Container  |
| 11K3188  | Staple Cartridge   |

| Part #  | Paper & Transparencies                          |
|---------|---|
| 12A5950 | Glossy Laser Paper, Letter (200 sheets)         |
| 12A8240 | Professional Color Laser Transparencies, Letter |
| 12A8600 | Outdoor Media, Letter                           |
| 12A8940 | Banner Laser Paper                              |

| Part #  | Paper Handling                             |
|---------|--|
| 20B2300 | C77x, C78x 500-Sheet Drawer                |
| 20B2373 | C77x, C78x 500-Sheet Tray                  |
| 20B2400 | C77x, C78x Duplex Unit                     |
| 20B2700 | C772, C782 2000-Sheet High Capacity Feeder |
| 10Z3100 | C782 Envelope Drawer                       |
| 20B3340 | C772, C782 Outdoor Media Drawer            |
| 20B3000 | C772, C782 5-Bin Mailbox                   |
| 20B3050 | C772, C782 Output Expander                 |
| 20B3060 | C772, C782 StapleSmart Finisher            |
| 20B5000 | C772, C782 Banner Media Tray               |

| Part #  | Furniture                |
|---------|--------------------------|
| 16N1708 | C77x, C78x Printer Stand |

|         |                            |
|---------|----------------------------|
| 21J0055 | C772, C782 Scanner Shelf   |
| 16C0700 | Scanner Stand with Cabinet |

| Part #  | MFP Options                           |
|---------|---------------------------------------|
| 21J0401 | Lexmark 4600 MFP Option C782, C782 XL |

| Part #  | Memory Options                |
|---------|-------------------------------|
| 13N1523 | 128MB DDR-DRAM                |
| 13N1530 | 40+ GB Hard Disk              |
| 13N1524 | 256MB DDR-DRAM                |
| 13N1526 | 512MB DDR-DRAM                |
| 1021208 | 32MB Flash Card               |
| 1021209 | 64MB Flash Card               |
| 1021243 | Japanese Font Card            |
| 1021240 | Korean Font Card              |
| 1021241 | Simplified Chinese Font Card  |
| 1021242 | Traditional Chinese Font Card |

| Part #  | Application Solutions                                 |
|---------|---|
| 1020400 | C780, C782 Bar Code Card                              |
| 1020401 | C780, C782 Card for IPDS and SCS/TNe                  |
| 1020402 | C780, C782 Forms Card                                 |
| 1020403 | Lexmark PrintCryption Card for the Lexmark C780, C782 |
| 1020404 | C780, C782 Card for PRESCRIBE Emulation               |

| Part #  | Connectivity                                      |
|---------|---|
| 1021294 | USB Cable (2-meter)                               |
| 1021092 | RS-232C Serial Interface Card                     |
| 14T0145 | Lexmark N4050e 802.11g Wireless Print Server      |
| 14S0165 | MarkNet™ N8050 802.11g Wireless Print Server      |
| 14S0200 | MarkNet™ N8020 gigabit Ethernet Print Server      |
| 14S0220 | MarkNet™ N8030 Fiber Ethernet 100BaseFX, 10BaseFL |
| 14T0220 | MarkNet™ N7020e Gigabit Ethernet Print Server     |
| 1021231 | Parallel Cable (10-foot)                          |
| 1021091 | Parallel 1284-B Interface Card                    |
| 21J0069 | 6 Meter (20 ft) Scanner Cable                     |

| Part #  | Extended Warranties                              |
|---------|--|
| 2349404 | 2-Years Total Onsite Service, Next Business Day  |
| 2349405 | 3-Years Total Onsite Service, Next Business Day  |
| 2349406 | 4-Years Total Onsite Service, Next Business Day  |
| 2349408 | 1-Year Onsite Service Renewal, Next Business Day |

| Part #  | User Replaceable Parts                         |
|---------|--|
| 40X1831 | C780, C782 Fuser Maintenance Kit 110-120V      |
| 40X0343 | C780, C782 Image Transfer Unit Maintenance Kit |



# Lexmark C782dn

Network-ready, color laser printer with duplex featuring great speed, versatile paper handling, and built-in duplex for high-volume color needs

## Print Technology

Color Laser

### Print Speed (Letter, Black)

Up to 40 ppm

### Print Speed (Letter, Color)

Up to 35 ppm

### Time to First Page (Black)

As fast as 11 seconds

### Time to First Page (Color)

As fast as 13 seconds

### Print Resolution, Black

1200 x 1200 dpi, 4800 Color Quality (2400 x 600 dpi)

### Print Resolution, Color

1200 x 1200 dpi, 4800 Color Quality (2400 x 600 dpi)

### Processor

800 / 133 MHz

### Memory, Standard

256 MB

### Memory, Maximum

768 MB

### Expandable Memory Options

Yes

### Apple Macintosh Operating Systems Supported

Mac OS X, Mac OS 9.2

### Citrix MetaFrame

Citrix, MetaFrame and MetaFrame XP are registered trademarks or trademarks of Citrix Systems, Inc. in the U.S. and other countries., Microsoft Windows 2000 Server running Terminal Services with Citrix MetaFrame XP Presentation Server or Citrix MetaFrame Presentation Server 3.0., Microsoft Windows Server 2003 running Terminal Services with Citrix MetaFrame XP Presentation Server or Citrix MetaFrame Presentation Server 3.0, Microsoft Windows 2000 Server running Terminal Services with Citrix Presentation Server 4.0, Microsoft Windows Server 2003 running Terminal Services with Citrix Presentation Server 4.0, Microsoft Windows Server 2003 x64 running Terminal Services with Citrix Presentation Server 4.0

### Linux Operating Systems Supported

Red Flag Linux Desktop 4.0, 5.0, Linpus Linux Desktop 9.2, 9.3, Red Hat Enterprise Linux WS 3.0, 4.0, 5.0, SUSE Linux Enterprise Server 8.0, 9.0, 10.0, Debian GNU/Linux 3.1, 4.0, Linspire Linux 5.0, SUSE Linux 10.0, 10.1, 10.2

### Microsoft Windows Operating Systems Supported

2000, NT (4.00/4.00 Server), XP, Server 2003, XP x64, Server 2003 running Terminal Services, 2000 Server running Terminal Services, Server 2003 x64, Server 2003 x64 running Terminal Services, Vista, Vista x64

### Novell Operating Systems Supported

Open Enterprise Server for Netware with NDS, iPrint or Novell Distributed Print Services (NDPS), NetWare® 3.2, 4.2 (bindery), NetWare 4.2, 5.x and 6.x (NDS), NetWare 5.x, 6.x with iPrint or Novell Distributed Print Services (NDPS)

### UNIX Operating Systems Supported

Sun Solaris SPARC 8, 9, 10, HP-UX 11.00, 11.1, IBM AIX

5.1, 5.2, 5.3, Sun Solaris x86 10

### Other Operating Systems Supported

IBM iSeries or IBM AS/400® Systems with TCP/IP with OS/400® V3R1 or later using OS/400 Host Print Transform, Virtually any platform supporting TCP/IP

### Paper Handling Standard

250-Sheet Output Bin, 500-Sheet Input Tray, Duplex Unit, 100-Sheet Multipurpose Feeder

### Paper Handling Optional

5-Bin Mailbox, 650-Sheet Output Expander, StapleSmart Finisher, 500-Sheet Drawer, Envelope Drawer, Banner Media Tray, Outdoor Media Drawer, 2,000-Sheet High-Capacity Feeder

### Paper Input Capacity, Standard: Up to

600 pages 20 lb or 75 gsm bond

### Paper Input Capacity, Maximum: Up to

3100 pages 20 lb or 75 gsm bond

### Paper Output Capacity, Standard: Up to

250 pages 20 lb or 75 gsm bond

### Paper Output Capacity, Maximum: Up to

900 pages 20 lb or 75 gsm bond

### Finishing Option

Yes

### Number of Paper Inputs, Standard

2

### Number of Paper Inputs, Maximum

5

### Media Types Supported

Card Stock, Envelopes, Glossy Paper, Labels, Plain Paper, Transparencies, Refer to the Card Stock & Label Guide, Outdoor Media, Banner Paper

### Media Sizes Supported

10 Envelope, 7 3/4 Envelope, 9 Envelope, A4, A5, B5 Envelope, C5 Envelope, DL Envelope, Executive, Folio, JIS-B5, Legal, Letter, Statement, Universal, Banner

### Standard Ports

Ethernet 10/100BaseTX (RJ-45), One Internal Card Slot, USB Compatible with USB 2.0 Specification (Type B), USB Direct interface on Operator Panel

### Optional Network Ports

Lexmark N4050e 802.11g Wireless Print Server (Print Only), Internal MarkNet™ N8020 Gigabit Ethernet, Internal MarkNet™ N8050 802.11g Wireless, External MarkNet™ N7020e Gigabit Ethernet, Internal MarkNet™ N8030 Fiber Fast Ethernet

### Network Printing Methods

LPR/LPD, Direct IP (Port 9100), Socket (Raw TCP/IP), IPP (Internet Printing Protocol), HTTP, NDS Queue-based Printing, NDPS/NEPS (Novell Distributed Print Services, Novell Network Enterprise Print Services), Enhanced IP (Port 9400)

### Network Protocol Support

TCP/IP IPv4, IPX/SPX, AppleTalk™, LexLink (DLC), TCP/IP IPv6

### Network Security

SSL\* Enabled Embedded Web Server (HTTPS), SNMPv3, TCP/IP port access control, 802.1x Authentication: MD5, MSCHAPv2, LEAP, PEAP, TLS, TTLS, IPsec, \*This product includes software developed by the OpenSSL Project for use in the OpenSSL Toolkit.

### Printable Area

0.167 inches of the top, bottom, right and left edges (within)

### Printer Languages (Standard)

PCL 5c Emulation, PCL 6 Emulation, Personal Printer Data Stream (PPDS), PostScript 3 Emulation, PDF 1.5, xHTML, Direct Image

### Supplies Yield

6,000\*-page (CMYK) Print Cartridges, 10,000\*-page (CMYK) High Yield Print Cartridges, 15,000\*-page (CMYK) Extra High Yield Print Cartridges, Ships with 10,000\*-page black and color High Yield Return Program Print Cartridges, \*Average continuous black or continuous composite CMY declared cartridge yield up to this number of standard pages in accordance with ISO/IEC 19798.

### Packaged Size (in. - H x W x D)

37.2 x 43.3 x 28.5 in.

### Size (in. - H x W x D)

24.3 x 23.8 x 18.5 in.

### Weight (lb.)

118.5 lb.

### Noise Level, Idle

30 dBA

### Print Noise Level, Operating

53 dBA

### Product Warranty

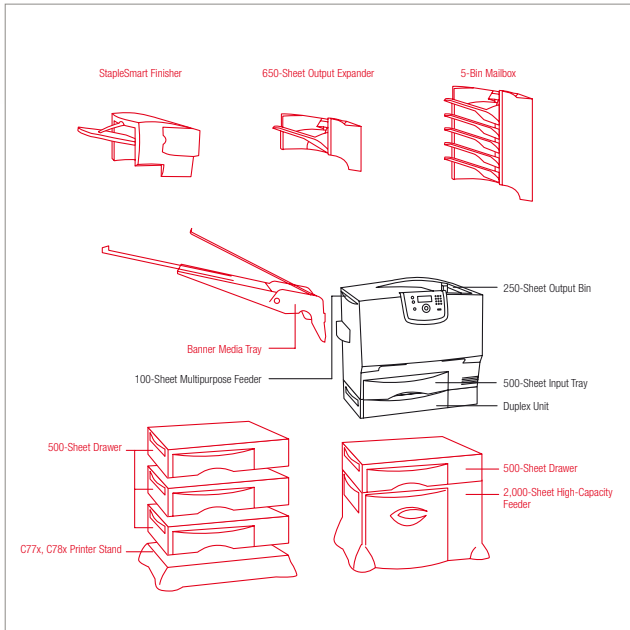
One Year Onsite Repair

### Maximum Monthly Duty Cycle

Up to 150,000 pages per month

### Recommended Monthly Page Volume

2,500 - 17,000 pages



Paper Handling Standard  
 Paper Handling Optional

| Part #  | Model          |
|---------|----------------|
| 10Z0101 | Lexmark C782dn |

| Part #   | Laser Toner/Print Cartridge                                  |
|----------|--|
| C782X1KG | C782 Black Extra High Yield Return Program Print Cartridge   |
| C780H1KG | C780, C782 Black High Yield Return Program Print Cartridge   |
| C780A1KG | C780, C782 Black Return Program Print Cartridge              |
| C782X2KG | C782 Black Extra High Yield Print Cartridge                  |
| C780H2KG | C780, C782 Black High Yield Print Cartridge                  |
| C780A2KG | C780, C782 Black Print Cartridge                             |
| C782X1CG | C782 Cyan Extra High Yield Return Program Print Cartridge    |
| C780H1CG | C780, C782 Cyan High Yield Return Program Print Cartridge    |
| C780A1CG | C780, C782 Cyan Return Program Print Cartridge               |
| C782X2CG | C782 Cyan Extra High Yield Print Cartridge                   |
| C780H2CG | C780, C782 Cyan High Yield Print Cartridge                   |
| C780A2CG | C780, C782 Cyan Print Cartridge                              |
| C782X1MG | C782 Magenta Extra High Yield Return Program Print Cartridge |
| C780H1MG | C780, C782 Magenta High Yield Return Program Print Cartridge |
| C780A1MG | C780, C782 Magenta Return Program Print Cartridge            |
| C782X2MG | C782 Magenta Extra High Yield Print Cartridge                |
| C780H2MG | C780, C782 Magenta High Yield Print Cartridge                |
| C780A2MG | C780, C782 Magenta Print Cartridge                           |
| C782X1YG | C782 Yellow Extra High Yield Return Program Print Cartridge  |
| C780H1YG | C780, C782 Yellow High Yield Return Program Print Cartridge  |
| C780A1YG | C780, C782 Yellow Return Program Print Cartridge             |
| C782X2YG | C782 Yellow Extra High Yield Print Cartridge                 |
| C780H2YG | C780, C782 Yellow High Yield Print Cartridge                 |
| C780A2YG | C780, C782 Yellow Print Cartridge                            |
| 10B3100  | Waste Toner Container  |
| 11K3188  | Staple Cartridge   |

| Part #  | Paper & Transparencies                          |
|---------|---|
| 12A5950 | Glossy Laser Paper, Letter (200 sheets)         |
| 12A8240 | Professional Color Laser Transparencies, Letter |
| 12A8600 | Outdoor Media, Letter                           |
| 12A8940 | Banner Laser Paper                              |

| Part #  | Paper Handling                             |
|---------|--|
| 20B2300 | C77x, C78x 500-Sheet Drawer                |
| 20B2373 | C77x, C78x 500-Sheet Tray                  |
| 20B2700 | C772, C782 2000-Sheet High Capacity Feeder |
| 10Z3100 | C782 Envelope Drawer                       |
| 20B3340 | C772, C782 Outdoor Media Drawer            |
| 20B3000 | C772, C782 5-Bin Mailbox                   |
| 20B3050 | C772, C782 Output Expander                 |
| 20B3060 | C772, C782 StapleSmart Finisher            |
| 20B5000 | C772, C782 Banner Media Tray               |

| Part #  | Furniture                |
|---------|--------------------------|
| 16N1708 | C77x, C78x Printer Stand |

|         |                            |
|---------|----------------------------|
| 21J0055 | C772, C782 Scanner Shelf   |
| 16C0700 | Scanner Stand with Cabinet |

| Part #  | MFP Options                           |
|---------|---------------------------------------|
| 21J0401 | Lexmark 4600 MFP Option C782, C782 XL |

| Part #  | Memory Options                |
|---------|-------------------------------|
| 13N1523 | 128MB DDR-DRAM                |
| 13N1530 | 40+ GB Hard Disk              |
| 13N1524 | 256MB DDR-DRAM                |
| 13N1526 | 512MB DDR-DRAM                |
| 1021208 | 32MB Flash Card               |
| 1021209 | 64MB Flash Card               |
| 1021243 | Japanese Font Card            |
| 1021240 | Korean Font Card              |
| 1021241 | Simplified Chinese Font Card  |
| 1021242 | Traditional Chinese Font Card |

| Part #  | Application Solutions                               |
|---------|---|
| 10Z0400 | C780, C782 Bar Code Card                            |
| 10Z0401 | C780, C782 Card for IPDS and SCS/TNe                |
| 10Z0402 | C780, C782 Forms Card                               |
| 10Z0403 | Lexmark PrintCrypto Card for the Lexmark C780, C782 |
| 10Z0404 | C780, C782 Card for PRESCRIBE Emulation             |

| Part #  | Connectivity                                      |
|---------|---|
| 1021294 | USB Cable (2-meter)                               |
| 1021092 | RS-232C Serial Interface Card                     |
| 14T0145 | Lexmark N4050e 802.11g Wireless Print Server      |
| 14S0165 | MarkNet™ N8050 802.11g Wireless Print Server      |
| 14S0200 | MarkNet™ N8020 gigabit Ethernet Print Server      |
| 14S0220 | MarkNet™ N8030 Fiber Ethernet 100BaseFX, 10BaseFL |
| 14T0220 | MarkNet™ N7020e Gigabit Ethernet Print Server     |
| 1021231 | Parallel Cable (10-foot)                          |
| 1021091 | Parallel 1284-B Interface Card                    |
| 21J0069 | 6 Meter (20 ft) Scanner Cable                     |

| Part #  | Extended Warranties                              |
|---------|--|
| 2349404 | 2-Years Total Onsite Service, Next Business Day  |
| 2349405 | 3-Years Total Onsite Service, Next Business Day  |
| 2349406 | 4-Years Total Onsite Service, Next Business Day  |
| 2349408 | 1-Year Onsite Service Renewal, Next Business Day |

| Part #  | User Replaceable Parts                         |
|---------|--|
| 40X1831 | C780, C782 Fuser Maintenance Kit 110-120V      |
| 40X0343 | C780, C782 Image Transfer Unit Maintenance Kit |



# Lexmark C782dtn

Network-ready, color laser printer with duplex and an additional 500-sheet drawer with the speed and versatility for high quality in-house printing

## Print Technology

Color Laser

### Print Speed (Letter, Black)

Up to 40 ppm

### Print Speed (Letter, Color)

Up to 35 ppm

### Time to First Page (Black)

As fast as 11 seconds

### Time to First Page (Color)

As fast as 13 seconds

### Print Resolution, Black

1200 x 1200 dpi, 4800 Color Quality (2400 x 600 dpi)

### Print Resolution, Color

1200 x 1200 dpi, 4800 Color Quality (2400 x 600 dpi)

### Processor

800 / 133 MHz

### Memory, Standard

256 MB

### Memory, Maximum

768 MB

### Expandable Memory Options

Yes

### Apple Macintosh Operating Systems Supported

Mac OS X, Mac OS 9.2

### Citrix MetaFrame

Citrix, MetaFrame and MetaFrame XP are registered trademarks or trademarks of Citrix Systems, Inc. in the U.S. and other countries., Microsoft Windows 2000 Server running Terminal Services with Citrix MetaFrame XP Presentation Server or Citrix MetaFrame Presentation Server 3.0., Microsoft Windows Server 2003 running Terminal Services with Citrix MetaFrame XP Presentation Server or Citrix MetaFrame Presentation Server 3.0, Microsoft Windows 2000 Server running Terminal Services with Citrix Presentation Server 4.0, Microsoft Windows Server 2003 running Terminal Services with Citrix Presentation Server 4.0, Microsoft Windows Server 2003 x64 running Terminal Services with Citrix Presentation Server 4.0

### Linux Operating Systems Supported

Red Flag Linux Desktop 4.0, 5.0, Linpus Linux Desktop 9.2, 9.3, Red Hat Enterprise Linux WS 3.0, 4.0, 5.0, SUSE Linux Enterprise Server 8.0, 9.0, 10.0, Debian GNU/Linux 3.1, 4.0, Linspire Linux 5.0, SUSE Linux 10.0, 10.1, 10.2

### Microsoft Windows Operating Systems Supported

2000, NT (4.0/4.00 Server), XP, Server 2003, XP x64, Server 2003 running Terminal Services, 2000 Server running Terminal Services, Server 2003 x64, Server 2003 x64 running Terminal Services, Vista, Vista x64

### Novell Operating Systems Supported

Open Enterprise Server for Netware with NDS, iPrint or Novell Distributed Print Services (NDPS), NetWare® 3.2, 4.2 (bindery), NetWare 4.2, 5.x and 6.x (NDS), NetWare 5.x, 6.x with iPrint or Novell Distributed Print Services (NDPS)

### UNIX Operating Systems Supported

Sun Solaris SPARC 8, 9, 10, HP-UX 11.00, 11.1, IBM AIX

5.1, 5.2, 5.3, Sun Solaris x86 10

### Other Operating Systems Supported

IBM iSeries or IBM AS/400® Systems with TCP/IP with OS/400® V3R1 or later using OS/400 Host Print Transform, Virtually any platform supporting TCP/IP

### Paper Handling Standard

250-Sheet Output Bin, 500-Sheet Drawer, 500-Sheet Input Tray, Duplex Unit, 100-Sheet Multipurpose Feeder

### Paper Handling Optional

5-Bin Mailbox, 650-Sheet Output Expander, StapleSmart Finisher, 500-Sheet Drawer, Envelope Drawer, Banner Media Tray, Outdoor Media Drawer, 2,000-Sheet High-Capacity Feeder

### Paper Input Capacity, Standard: Up to

1100 pages 20 lb or 75 gsm bond

### Paper Input Capacity, Maximum: Up to

3100 pages 20 lb or 75 gsm bond

### Paper Output Capacity, Standard: Up to

250 pages 20 lb or 75 gsm bond

### Paper Output Capacity, Maximum: Up to

900 pages 20 lb or 75 gsm bond

### Finishing Option

Yes

### Number of Paper Inputs, Standard

3

### Number of Paper Inputs, Maximum

5

### Media Types Supported

Card Stock, Envelopes, Glossy Paper, Labels, Plain Paper, Transparencies, Refer to the Card Stock & Label Guide, Outdoor Media, Banner Paper

### Media Sizes Supported

10 Envelope, 7 3/4 Envelope, 9 Envelope, A4, A5, B5 Envelope, C5 Envelope, DL Envelope, Executive, Folio, JIS-B5, Legal, Letter, Statement, Universal, Banner

### Standard Ports

Ethernet 10/100BaseTX (RJ-45), One Internal Card Slot, USB Compatible with USB 2.0 Specification (Type B), USB Direct interface on Operator Panel

### Optional Network Ports

Lexmark N4050e 802.11g Wireless Print Server (Print Only), Internal MarkNet™ N8020 Gigabit Ethernet, Internal MarkNet™ N8050 802.11g Wireless, External MarkNet™ N7020e Gigabit Ethernet, Internal MarkNet™ N8030 Fiber Fast Ethernet

### Network Printing Methods

LPR/LPD, Direct IP (Port 9100), Socket (Raw TCP/IP), IPP (Internet Printing Protocol), HTTP, NDS Queue-based Printing, NDPS/NEPS (Novell Distributed Print Services, Novell Network Enterprise Print Services), Enhanced IP (Port 9400)

### Network Protocol Support

TCP/IP IPv4, IPX/SPX, AppleTalk™, LexLink (DLC), TCP/IP IPv6

### Network Security

SSL\* Enabled Embedded Web Server (HTTPS), SNMPv3, TCP/IP port access control, 802.1x Authentication: MD5, MSCHAPv2, LEAP, PEAP, TLS, TTLS, IPsec, \*This product includes software developed by the OpenSSL Project for use in the OpenSSL Toolkit.

### Printable Area

0.167 inches of the top, bottom, right and left edges (within)

### Printer Languages (Standard)

PCL 5c Emulation, PCL 6 Emulation, Personal Printer Data Stream (PPDS), PostScript 3 Emulation, PDF 1.5, xHTML, Direct Image

### Supplies Yield

6,000\*-page (CMYK) Print Cartridges, 10,000\*-page (CMYK) High Yield Print Cartridges, 15,000\*-page (CMYK) Extra High Yield Print Cartridges, Ships with 10,000\*-page black and color High Yield Return Program Print Cartridges, \*Average continuous black or continuous composite CMY declared cartridge yield up to this number of standard pages in accordance with ISO/IEC 19798.

### Packaged Size (in. - H x W x D)

37.2 x 52.0 x 28.5 in.

### Size (in. - H x W x D)

28.9 x 23.8 x 18.5 in.

### Weight (lb.)

132 lb.

### Noise Level, Idle

30 dBA

### Print Noise Level, Operating

53 dBA

### Product Warranty

One Year Onsite Repair

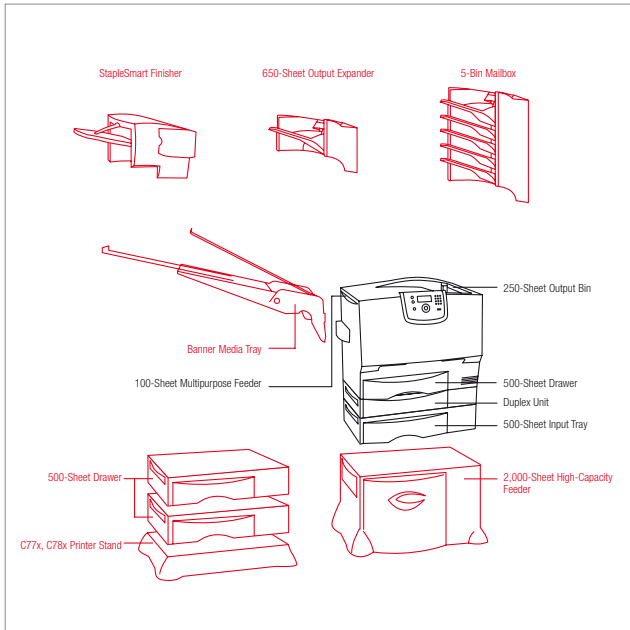
### Maximum Monthly Duty Cycle

Up to 150,000 pages per month

### Recommended Monthly Page Volume

2,500 - 17,000 pages





Paper Handling Standard  
 Paper Handling Optional

| Part #   | Model  |
|----------|--|
| 10Z0102  | Lexmark C782dtn  |
| Part #   | Laser Toner/Print Cartridge                                  |
| C782X1KG | C782 Black Extra High Yield Return Program Print Cartridge   |
| C780H1KG | C780, C782 Black High Yield Return Program Print Cartridge   |
| C780A1KG | C780, C782 Black Return Program Print Cartridge              |
| C782X2KG | C782 Black Extra High Yield Print Cartridge                  |
| C780H2KG | C780, C782 Black High Yield Print Cartridge                  |
| C780A2KG | C780, C782 Black Print Cartridge                             |
| C782X1CG | C782 Cyan Extra High Yield Return Program Print Cartridge    |
| C780H1CG | C780, C782 Cyan High Yield Return Program Print Cartridge    |
| C780A1CG | C780, C782 Cyan Return Program Print Cartridge               |
| C782X2CG | C782 Cyan Extra High Yield Print Cartridge                   |
| C780H2CG | C780, C782 Cyan High Yield Print Cartridge                   |
| C780A2CG | C780, C782 Cyan Print Cartridge                              |
| C782X1MG | C782 Magenta Extra High Yield Return Program Print Cartridge |
| C780H1MG | C780, C782 Magenta High Yield Return Program Print Cartridge |
| C780A1MG | C780, C782 Magenta Return Program Print Cartridge            |
| C782X2MG | C782 Magenta Extra High Yield Print Cartridge                |
| C780H2MG | C780, C782 Magenta High Yield Print Cartridge                |
| C780A2MG | C780, C782 Magenta Print Cartridge                           |
| C782X1YG | C782 Yellow Extra High Yield Return Program Print Cartridge  |
| C780H1YG | C780, C782 Yellow High Yield Return Program Print Cartridge  |
| C780A1YG | C780, C782 Yellow Return Program Print Cartridge             |
| C782X2YG | C782 Yellow Extra High Yield Print Cartridge                 |
| C780H2YG | C780, C782 Yellow High Yield Print Cartridge                 |
| C780A2YG | C780, C782 Yellow Print Cartridge                            |
| 10B3100  | Waste Toner Container  |
| 11K3188  | Staple Cartridge   |
| Part #   | Paper & Transparencies                                       |
| 12A5950  | Glossy Laser Paper, Letter (200 sheets)                      |
| 12A8240  | Professional Color Laser Transparencies, Letter              |
| 12A8600  | Outdoor Media, Letter  |
| 12A8940  | Banner Laser Paper   |
| Part #   | Paper Handling   |
| 20B2300  | C77x, C78x 500-Sheet Drawer                                  |
| 20B2373  | C77x, C78x 500-Sheet Tray                                    |
| 20B2700  | C772, C782 2000-Sheet High Capacity Feeder                   |
| 10Z3100  | C782 Envelope Drawer   |
| 20B3340  | C772, C782 Outdoor Media Drawer                              |
| 20B3000  | C772, C782 5-Bin Mailbox                                     |
| 20B3050  | C772, C782 Output Expander                                   |
| 20B3060  | C772, C782 StapleSmart Finisher                              |
| 20B5000  | C772, C782 Banner Media Tray                                 |
| Part #   | Furniture  |
| 16N1708  | C77x, C78x Printer Stand                                     |

| 21J0055 | C772, C782 Scanner Shelf                            |
|---------|---|
| 16C0700 | Scanner Stand with Cabinet                          |
| Part #  | MFP Options   |
| 21J0401 | Lexmark 4600 MFP Option C782, C782 XL               |
| Part #  | Memory Options                                      |
| 13N1523 | 128MB DDR-DRAM                                      |
| 13N1530 | 40+ GB Hard Disk                                    |
| 13N1524 | 256MB DDR-DRAM                                      |
| 13N1526 | 512MB DDR-DRAM                                      |
| 1021208 | 32MB Flash Card                                     |
| 1021209 | 64MB Flash Card                                     |
| 1021243 | Japanese Font Card                                  |
| 1021240 | Korean Font Card                                    |
| 1021241 | Simplified Chinese Font Card                        |
| 1021242 | Traditional Chinese Font Card                       |
| Part #  | Application Solutions                               |
| 10Z0400 | C780, C782 Bar Code Card                            |
| 10Z0401 | C780, C782 Card for IPDS and SCS/TNe                |
| 10Z0402 | C780, C782 Forms Card                               |
| 10Z0403 | Lexmark PrintCrypto Card for the Lexmark C780, C782 |
| 10Z0404 | C780, C782 Card for PRESCRIBE Emulation             |
| Part #  | Connectivity  |
| 1021294 | USB Cable (2-meter)                                 |
| 1021092 | RS-232C Serial Interface Card                       |
| 14T0145 | Lexmark N4050e 802.11g Wireless Print Server        |
| 14S0165 | MarkNet™ N8050 802.11g Wireless Print Server        |
| 14S0200 | MarkNet™ N8020 gigabit Ethernet Print Server        |
| 14S0220 | MarkNet™ N8030 Fiber Ethernet 100BaseFX, 10BaseFL   |
| 14T0220 | MarkNet™ N7020e Gigabit Ethernet Print Server       |
| 1021231 | Parallel Cable (10-foot)                            |
| 1021091 | Parallel 1284-B Interface Card                      |
| 21J0069 | 6 Meter (20 ft) Scanner Cable                       |
| Part #  | Extended Warranties                                 |
| 2349404 | 2-Years Total Onsite Service, Next Business Day     |
| 2349405 | 3-Years Total Onsite Service, Next Business Day     |
| 2349406 | 4-Years Total Onsite Service, Next Business Day     |
| 2349408 | 1-Year Onsite Service Renewal, Next Business Day    |
| Part #  | User Replaceable Parts                              |
| 40X1831 | C780, C782 Fuser Maintenance Kit 110-120V           |
| 40X0343 | C780, C782 Image Transfer Unit Maintenance Kit      |



# Lexmark C782n XL

Network-ready color laser printer that combines impressive speed and media handling with cost-efficient cartridge pricing for high-volume users

## Print Technology

Color Laser

### Print Speed (Letter, Black)

Up to 40 ppm

### Print Speed (Letter, Color)

Up to 35 ppm

### Time to First Page (Black)

As fast as 11 seconds

### Time to First Page (Color)

As fast as 13 seconds

### Print Resolution, Black

1200 x 1200 dpi, 4800 Color Quality (2400 x 600 dpi)

### Print Resolution, Color

1200 x 1200 dpi, 4800 Color Quality (2400 x 600 dpi)

### Processor

800 / 133 MHz

### Memory, Standard

256 MB

### Memory, Maximum

768 MB

### Expandable Memory Options

Yes

### Apple Macintosh Operating Systems Supported

Mac OS X, Mac OS 9.2

### Citrix MetaFrame

Microsoft Windows 2000 Server running Terminal Services with Citrix MetaFrame XP Presentation Server or Citrix MetaFrame Presentation Server 3.0., Microsoft Windows Server 2003 running Terminal Services with Citrix MetaFrame XP Presentation Server or Citrix MetaFrame Presentation Server 3.0, Microsoft Windows 2000 Server running Terminal Services with Citrix Presentation Server 4.0, Microsoft Windows Server 2003 running Terminal Services with Citrix Presentation Server 4.0, Microsoft Windows Server 2003 x64 running Terminal Services with Citrix Presentation Server 4.0

### Linux Operating Systems Supported

Red Flag Linux Desktop 4.0, 5.0, Linpus Linux Desktop 9.2, 9.3, Red Hat Enterprise Linux WS 3.0, 4.0, 5.0, SUSE Linux Enterprise Server 8.0, 9.0, 10.0, Debian GNU/Linux 3.1, 4.0, Linspire Linux 5.0, SUSE Linux 10.0, 10.1, 10.2

### Microsoft Windows Operating Systems Supported

2000, NT (4.00/4.00 Server), XP, Server 2003, XP x64, Server 2003 running Terminal Services, 2000 Server running Terminal Services, Server 2003 x64, Server 2003 x64 running Terminal Services, Vista, Vista x64

### Novell Operating Systems Supported

Open Enterprise Server for Netware with NDS, iPrint or Novell Distributed Print Services (NDPS), NetWare® 3.2, 4.2 (bindery), NetWare 4.2, 5.x and 6.x (NDS), NetWare 5.x, 6.x with iPrint or Novell Distributed Print Services (NDPS)

### UNIX Operating Systems Supported

Sun Solaris SPARC 8, 9, 10, HP-UX 11.00, 11.1, IBM AIX 5.1, 5.2, 5.3, Sun Solaris x86 10

### Other Operating Systems Supported

IBM iSeries or IBM AS/400® Systems with TCP/IP

with OS/400® V3R1 or later using OS/400 Host Print Transform, Virtually any platform supporting TCP/IP

### Paper Handling Standard

250-Sheet Output Bin, 500-Sheet Input Tray, 100-Sheet Multipurpose Feeder

### Paper Handling Optional

5-Bin Mailbox, 650-Sheet Output Expander, StapleSmart Finisher, Duplex Unit, 500-Sheet Drawer, Envelope Drawer, Banner Media Tray, Outdoor Media Drawer, 2,000-Sheet High-Capacity Feeder

### Paper Input Capacity, Standard: Up to

600 pages 20 lb or 75 gsm bond

### Paper Input Capacity, Maximum: Up to

3100 pages 20 lb or 75 gsm bond

### Paper Output Capacity, Standard: Up to

250 pages 20 lb or 75 gsm bond

### Paper Output Capacity, Maximum: Up to

900 pages 20 lb or 75 gsm bond

### Finishing Option

Yes

### Number of Paper Inputs, Standard

2

### Number of Paper Inputs, Maximum

5

### Media Types Supported

Card Stock, Envelopes, Glossy Paper, Labels, Plain Paper, Transparencies, Refer to the Card Stock & Label Guide, Outdoor Media, Banner Paper

### Media Sizes Supported

10 Envelope, 7 3/4 Envelope, 9 Envelope, A4, A5, B5 Envelope, C5 Envelope, DL Envelope, Executive, Folio, JIS-B5, Legal, Letter, Statement, Universal, Banner

### Standard Ports

Ethernet 10/100BaseTX (RJ-45), One Internal Card Slot, USB Compatible with USB 2.0 Specification (Type B), USB Direct interface on Operator Panel

### Optional Network Ports

Lexmark N4050e 802.11g Wireless Print Server (Print Only), Internal MarkNet™ N8020 Gigabit Ethernet, Internal MarkNet™ N8050 802.11g Wireless, External MarkNet™ N7020e Gigabit Ethernet, Internal MarkNet™ N8030 Fiber Fast Ethernet

### Network Printing Methods

LPR/LPD, Direct IP (Port 9100), Socket (Raw TCP/IP), IPP (Internet Printing Protocol), HTTP, NDS Queue-based Printing, NDPS/NEPS (Novell Distributed Print Services), Novell Netware Enterprise Print Services, Enhanced IP (Port 9400)

### Network Protocol Support

TCP/IP IPv4, IPX/SPX, AppleTalk™, LexLink (DLC), TCP/IP IPv6

### Network Security

SSL: Enabled Embedded Web Server (HTTPS), SNMPv3, TCP/IP port access control, 802.1x Authentication: MDS,

MSCHAPv2, LEAP, PEAP, TLS, TTLS, IPsec, \*This product includes software developed by the OpenSSL Project for use in the OpenSSL Toolkit.

### Printable Area

0.167 inches of the top, bottom, right and left edges (within)

### Printer Languages (Standard)

PCL 5c Emulation, PCL 6 Emulation, Personal Printer Data Stream (PPDS), PostScript 3 Emulation, PDF 1.5, xHTML, Direct Image

### Supplies Yield

Ships with 10,000\*-page black and color High Yield Return Program Print Cartridges, \*Average continuous black or continuous composite CMY declared cartridge yield up to this number of standard pages in accordance with ISO/IEC 19798-, 16,500\*-page (CMYK) XL Extra High Yield Print Cartridges

### Cartridge(s) Shipping with Product

10,000\*-page (CMYK) starter High Yield Return Program Print Cartridges

### Packaged Size (in. - H x W x D)

31.9 x 31.3 x 25.6 in.

### Size (in. - H x W x D)

20.8 x 23.8 x 18.5 in.

### Weight (lb.)

105 lb.

### Noise Level, Idle

30 dBA

### Print Noise Level, Operating

53 dBA

### Product Warranty

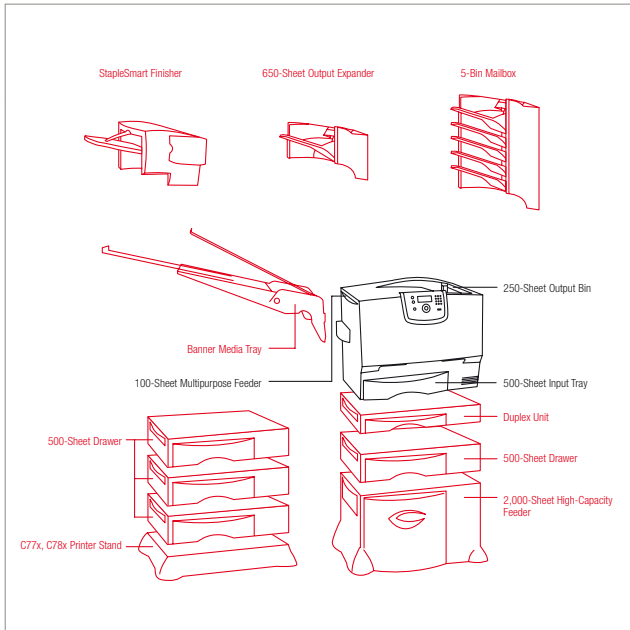
One Year Onsite Service, Next Business Day

### Maximum Monthly Duty Cycle

Up to 150,000 pages per month

### Recommended Monthly Page Volume

2,500 - 17,000 pages



Paper Handling Standard  
 Paper Handling Optional

| Part #  | Model            |
|---------|------------------|
| 1020320 | Lexmark C782n XL |

**Part # Laser Toner/Print Cartridge**

|          |  |
|----------|--|
| C782U1KG | C782 XL, X782e XL Black XL Extra High Yield Return Program Print Cartridge   |
| C782U2KG | C782 XL, X782e XL Black XL Extra High Yield Print Cartridge                  |
| C782U1CG | C782 XL, X782e XL Cyan XL Extra High Yield Return Program Print Cartridge    |
| C782U2CG | C782 XL, X782e XL Cyan XL Extra High Yield Print Cartridge                   |
| C782U1MG | C782 XL, X782e XL Magenta XL Extra High Yield Return Program Print Cartridge |
| C782U2MG | C782 XL, X782e XL Magenta XL Extra High Yield Print Cartridge                |
| C782U1YG | C782 XL, X782e XL Yellow XL Extra High Yield Return Program Print Cartridge  |
| C782U2YG | C782 XL, X782e XL Yellow XL Extra High Yield Print Cartridge                 |
| 10B3100  | Waste Toner Container  |
| 11K3188  | Staple Cartridge   |

**Part # Paper & Transparencies**

|         |   |
|---------|---|
| 12A5950 | Glossy Laser Paper, Letter (200 sheets)         |
| 12A8240 | Professional Color Laser Transparencies, Letter |
| 12A8600 | Outdoor Media, Letter                           |
| 12A8940 | Banner Laser Paper                              |

**Part # Paper Handling**

|         |   |
|---------|---|
| 20B2300 | C77x, C78x 500-Sheet Drawer                 |
| 20B2373 | C77x, C78x 500-Sheet Tray                   |
| 20B2400 | C77x, C78x Duplex Unit                      |
| 20B2700 | C772, C782 2,000-Sheet High Capacity Feeder |
| 1023100 | C782 Envelope Drawer                        |
| 20B3340 | C772, C782 Outdoor Media Drawer             |
| 20B3000 | C772, C782 5-Bin Mailbox                    |
| 20B3050 | C772, C782 Output Expander                  |
| 20B3060 | C772, C782 StapleSmart Finisher             |
| 20B5000 | C772, C782 Banner Media Tray                |

**Part # Furniture**

|         |                            |
|---------|----------------------------|
| 16N1708 | C77x, C78x Printer Stand   |
| 21J0055 | C772, C782 Scanner Shelf   |
| 16C0700 | Scanner Stand with Cabinet |

**Part # MFP Options**

|         |                                       |
|---------|---------------------------------------|
| 21J0401 | Lexmark 4600 MFP Option C782, C782 XL |
|---------|---------------------------------------|

**Part # Memory Options**

|         |                  |
|---------|------------------|
| 13N1523 | 128MB DDR-DRAM   |
| 13N1530 | 40+ GB Hard Disk |
| 13N1524 | 256MB DDR-DRAM   |
| 13N1526 | 512MB DDR-DRAM   |

|         |                               |
|---------|-------------------------------|
| 1021208 | 32MB Flash Card               |
| 1021209 | 64MB Flash Card               |
| 1021243 | Japanese Font Card            |
| 1021240 | Korean Font Card              |
| 1021241 | Simplified Chinese Font Card  |
| 1021242 | Traditional Chinese Font Card |

**Part # Application Solutions**

|         |   |
|---------|---|
| 1020400 | C780, C782 Bar Code Card                              |
| 1020401 | C780, C782 Card for IPDS and SCS/TNe                  |
| 1020402 | C780, C782 Forms Card                                 |
| 1020403 | Lexmark PrintCryption Card for the Lexmark C780, C782 |
| 1020404 | C780, C782 Card for PRESCRIBE Emulation               |

**Part # Connectivity**

|         |   |
|---------|---|
| 1021294 | USB Cable (2-meter)                               |
| 1021092 | RS-232C Serial Interface Card                     |
| 14T0145 | Lexmark N4050e 802.11g Wireless Print Server      |
| 14S0165 | MarkNet™ N8050 802.11g Wireless Print Server      |
| 14S0200 | MarkNet™ N8020 Gigabit Ethernet Print Server      |
| 14S0220 | MarkNet™ N8030 Fiber Ethernet 100BaseFX, 10BaseFL |
| 14T0220 | MarkNet™ N7020e Gigabit Ethernet Print Server     |
| 1021231 | Parallel Cable (10-foot)                          |
| 1021091 | Parallel 1284-B Interface Card                    |
| 21J0069 | 6 Meter (20 ft) Scanner Cable                     |

**Part # Extended Warranties**

|         |  |
|---------|--|
| 2349404 | 2-Years Total Onsite Service, Next Business Day  |
| 2349405 | 3-Years Total Onsite Service, Next Business Day  |
| 2349406 | 4-Years Total Onsite Service, Next Business Day  |
| 2349408 | 1-Year Onsite Service Renewal, Next Business Day |

**Part # User Replaceable Parts**

|         |  |
|---------|--|
| 40X1831 | C780, C782 Fuser Maintenance Kit 110-120V      |
| 40X0343 | C780, C782 Image Transfer Unit Maintenance Kit |



# Lexmark C782dn XL

Network-ready color laser printer with duplex combines impressive speed and media handling with cost-efficient cartridge pricing for high-volume users

## Print Technology

Color Laser

### Print Speed (Letter, Black)

Up to 40 ppm

### Print Speed (Letter, Color)

Up to 35 ppm

### Time to First Page (Black)

As fast as 11 seconds

### Time to First Page (Color)

As fast as 13 seconds

### Print Resolution, Black

1200 x 1200 dpi, 4800 Color Quality (2400 x 600 dpi)

### Print Resolution, Color

1200 x 1200 dpi, 4800 Color Quality (2400 x 600 dpi)

### Processor

800 / 133 MHz

### Memory, Standard

256 MB

### Memory, Maximum

768 MB

### Expandable Memory Options

Yes

### Apple Macintosh Operating Systems Supported

Mac OS X, Mac OS 9.2

### Citrix MetaFrame

Microsoft Windows 2000 Server running Terminal Services with Citrix MetaFrame XP Presentation Server or Citrix MetaFrame Presentation Server 3.0., Microsoft Windows Server 2003 running Terminal Services with Citrix MetaFrame XP Presentation Server or Citrix MetaFrame Presentation Server 3.0, Microsoft Windows 2000 Server running Terminal Services with Citrix Presentation Server 4.0, Microsoft Windows Server 2003 running Terminal Services with Citrix Presentation Server 4.0, Microsoft Windows Server 2003 x64 running Terminal Services with Citrix Presentation Server 4.0

### Linux Operating Systems Supported

Red Flag Linux Desktop 4.0, 5.0, Linpus Linux Desktop 9.2, 9.3, Red Hat Enterprise Linux WS 3.0, 4.0, 5.0, SUSE Linux Enterprise Server 8.0, 9.0, 10.0, Debian GNU/Linux 3.1, 4.0, Linspire Linux 5.0, SUSE Linux 10.0, 10.1, 10.2

### Microsoft Windows Operating Systems Supported

2000, NT (4.00/4.00 Server), XP, Server 2003, XP x64, Server 2003 running Terminal Services, 2000 Server running Terminal Services, Server 2003 x64, Server 2003 x64 running Terminal Services, Vista, Vista x64

### Novell Operating Systems Supported

Open Enterprise Server for Netware with NDS, iPrint or Novell Distributed Print Services (NDPS), NetWare® 3.2, 4.2 (bindery), NetWare 4.2, 5.x and 6.x (NDS), NetWare 5.x, 6.x with iPrint or Novell Distributed Print Services (NDPS)

### UNIX Operating Systems Supported

Sun Solaris SPARC 8, 9, 10, HP-UX 11.00, 11.1, IBM AIX 5.1, 5.2, 5.3, Sun Solaris x86 10

### Other Operating Systems Supported

IBM iSeries or IBM AS/400® Systems with TCP/IP

with OS/400® V3R1 or later using OS/400 Host Print Transform, Virtually any platform supporting TCP/IP

### Paper Handling Standard

250-Sheet Output Bin, 500-Sheet Input Tray, Duplex Unit, 100-Sheet Multipurpose Feeder

### Paper Handling Optional

5-Bin Mailbox, 650-Sheet Output Expander, StapleSmart Finisher, 500-Sheet Drawer, Envelope Drawer, Banner Media Tray, Outdoor Media Drawer, 2,000-Sheet High-Capacity Feeder

### Paper Input Capacity, Standard: Up to

600 pages 20 lb or 75 gsm bond

### Paper Input Capacity, Maximum: Up to

3100 pages 20 lb or 75 gsm bond

### Paper Output Capacity, Standard: Up to

250 pages 20 lb or 75 gsm bond

### Paper Output Capacity, Maximum: Up to

900 pages 20 lb or 75 gsm bond

### Finishing Option

Yes

### Number of Paper Inputs, Standard

2

### Number of Paper Inputs, Maximum

5

### Media Types Supported

Card Stock, Envelopes, Glossy Paper, Labels, Plain Paper, Transparencies, Refer to the Card Stock & Label Guide, Outdoor Media, Banner Paper

### Media Sizes Supported

10 Envelope, 7 3/4 Envelope, 9 Envelope, A4, A5, B5 Envelope, C5 Envelope, DL Envelope, Executive, Folio, JIS-B5, Legal, Letter, Statement, Universal, Banner

## Standard Ports

Ethernet 10/100BaseTX (RJ-45), One Internal Card Slot, USB Compatible with USB 2.0 Specification (Type B), USB Direct interface on Operator Panel

### Optional Network Ports

Lexmark N4050e 802.11g Wireless Print Server (Print Only), Internal MarkNet™ N8020 Gigabit Ethernet, Internal MarkNet™ N8050 802.11g Wireless, External MarkNet™ N7020e Gigabit Ethernet, Internal MarkNet™ N8030 Fiber Fast Ethernet

### Network Printing Methods

LPR/LPD, Direct IP (Port 9100), Socket (Raw TCP/IP), IPP (Internet Printing Protocol), HTTP, NDS Queue-based Printing, NDPS/NEPS (Novell Distributed Print Services), Novell Netware Enterprise Print Services, Enhanced IP (Port 9400)

### Network Protocol Support

TCP/IP IPv4, IPX/SPX, AppleTalk™, LexLink (DLC), TCP/IP IPv6

### Network Security

SSL: Enabled Embedded Web Server (HTTPS), SNMPv3, TCP/IP port access control, 802.1x Authentication: MDS,

MSCHAPv2, LEAP, PEAP, TLS, TTLS, IPSec, \*This product includes software developed by the OpenSSL Project for use in the OpenSSL Toolkit.

### Printable Area

0.167 inches of the top, bottom, right and left edges (within)

### Print Languages (Standard)

PCL 5c Emulation, PCL 6 Emulation, Personal Printer Data Stream (PPDS), PostScript 3 Emulation, PDF 1.5, xHTML, Direct Image

## Supplies Yield

Ships with 10,000\*-page black and color High Yield Return Program Print Cartridges, \*Average continuous black or continuous composite CMY declared cartridge yield up to this number of standard pages in accordance with ISO/IEC 19798., 16,500\*-page (CMYK) XL Extra High Yield Print Cartridges

### Cartridge(s) Shipping with Product

10,000\*-page (CMYK) starter High Yield Return Program Print Cartridges

### Packaged Size (in. - H x W x D)

37.2 x 43.3 x 28.5 in.

### Size (in. - H x W x D)

24.3 x 23.8 x 18.5 in.

### Weight (lb.)

118.5 lb.

### Noise Level, Idle

30 dBA

### Print Noise Level, Operating

53 dBA

### Product Warranty

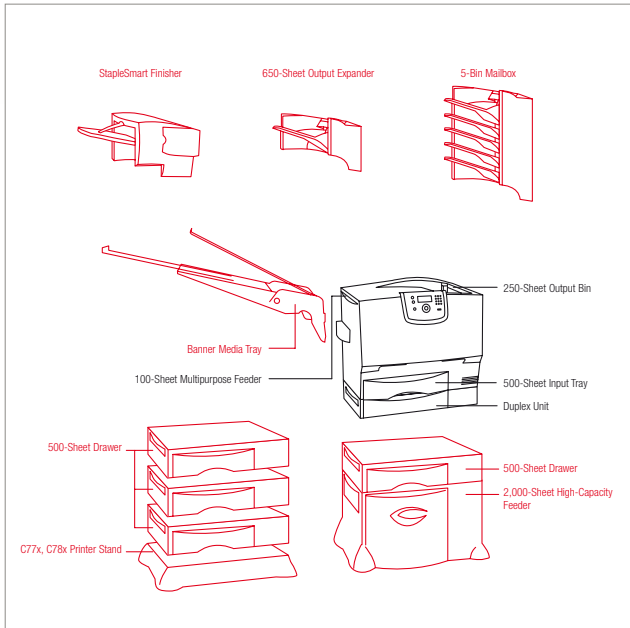
One Year Onsite Service, Next Business Day

### Maximum Monthly Duty Cycle

Up to 150,000 pages per month

### Recommended Monthly Page Volume

2,500 - 17,000 pages



Paper Handling Standard  
 Paper Handling Optional

| Part #  | Model             |
|---------|-------------------|
| 1020351 | Lexmark C782dn XL |

| Part #   | Laser Toner/Print Cartridge  |
|----------|--|
| C782U1KG | C782 XL, X782e XL Black XL Extra High Yield Return Program Print Cartridge   |
| C782U2KG | C782 XL, X782e XL Extra High Yield Print Cartridge                           |
| C782U1CG | C782 XL, X782e XL Cyan XL Extra High Yield Return Program Print Cartridge    |
| C782U2CG | C782 XL, X782e XL Cyan XL Extra High Yield Print Cartridge                   |
| C782U1MG | C782 XL, X782e XL Magenta XL Extra High Yield Return Program Print Cartridge |
| C782U2MG | C782 XL, X782e XL Magenta XL Extra High Yield Print Cartridge                |
| C782U1YG | C782 XL, X782e XL Yellow XL Extra High Yield Return Program Print Cartridge  |
| C782U2YG | C782 XL, X782e XL Yellow XL Extra High Yield Print Cartridge                 |
| 10B3100  | Waste Toner Container  |
| 11K3188  | Staple Cartridge   |

| Part #  | Paper & Transparencies                          |
|---------|---|
| 12A5950 | Glossy Laser Paper, Letter (200 sheets)         |
| 12A8240 | Professional Color Laser Transparencies, Letter |
| 12A8600 | Outdoor Media, Letter                           |
| 12A8940 | Banner Laser Paper                              |

| Part #  | Paper Handling                             |
|---------|--|
| 20B2300 | C77x, C78x 500-Sheet Drawer                |
| 20B2373 | C77x, C78x 500-Sheet Tray                  |
| 20B2700 | C772, C782 2000-Sheet High Capacity Feeder |
| 1023100 | C782 Envelope Drawer                       |
| 20B3340 | C772, C782 Outdoor Media Drawer            |
| 20B3000 | C772, C782 5-Bin Mailbox                   |
| 20B3050 | C772, C782 Output Expander                 |
| 20B3060 | C772, C782 StapleSmart Finisher            |
| 20B5000 | C772, C782 Banner Media Tray               |

| Part #  | Furniture                  |
|---------|----------------------------|
| 16N1708 | C77x, C78x Printer Stand   |
| 21J0055 | C772, C782 Scanner Shelf   |
| 16C0700 | Scanner Stand with Cabinet |

| Part #  | MFP Options                           |
|---------|---------------------------------------|
| 21J0401 | Lexmark 4600 MFP Option C782, C782 XL |

| Part #  | Memory Options   |
|---------|------------------|
| 13N1523 | 128MB DDR-DRAM   |
| 13N1530 | 40+ GB Hard Disk |
| 13N1524 | 256MB DDR-DRAM   |
| 13N1526 | 512MB DDR-DRAM   |
| 1021208 | 32MB Flash Card  |

|         |                               |
|---------|-------------------------------|
| 1021209 | 64MB Flash Card               |
| 1021243 | Japanese Font Card            |
| 1021240 | Korean Font Card              |
| 1021241 | Simplified Chinese Font Card  |
| 1021242 | Traditional Chinese Font Card |

| Part #  | Application Solutions                                  |
|---------|--|
| 1020400 | C780, C782 Bar Code Card                               |
| 1020401 | C780, C782 Card for IPDS and SCS/TNe                   |
| 1020402 | C780, C782 Forms Card                                  |
| 1020403 | Lexmark Print/Cryption Card for the Lexmark C780, C782 |
| 1020404 | C780, C782 Card for PRESCRIBE Emulation                |

| Part #  | Connectivity                                      |
|---------|---|
| 1021294 | USB Cable (2-meter)                               |
| 1021092 | RS-232C Serial Interface Card                     |
| 14T0145 | Lexmark N4050e 802.11g Wireless Print Server      |
| 14S0165 | MarkNet™ N8050 802.11g Wireless Print Server      |
| 14S0200 | MarkNet™ N8020 Gigabit Ethernet Print Server      |
| 14S0220 | MarkNet™ N8030 Fiber Ethernet 100BaseFX, 10BaseFL |
| 14T0220 | MarkNet™ N7020e Gigabit Ethernet Print Server     |
| 1021231 | Parallel Cable (10-foot)                          |
| 1021091 | Parallel 1284-B Interface Card                    |
| 21J0069 | 6 Meter (20 ft) Scanner Cable                     |

| Part #  | Extended Warranties                              |
|---------|--|
| 2349404 | 2-Years Total Onsite Service, Next Business Day  |
| 2349405 | 3-Years Total Onsite Service, Next Business Day  |
| 2349406 | 4-Years Total Onsite Service, Next Business Day  |
| 2349408 | 1-Year Onsite Service Renewal, Next Business Day |

| Part #  | User Replaceable Parts                         |
|---------|--|
| 40X1831 | C780, C782 Fuser Maintenance Kit 110-120V      |
| 40X0343 | C780, C782 Image Transfer Unit Maintenance Kit |



# Lexmark C782dtn XL

Network-ready color laser printer with duplex and more standard input capacity combines impressive speed and media handling with cost-efficient cartridge pricing for high-volume users

## Print Technology

Color Laser

### Print Speed (Letter, Black)

Up to 40 ppm

### Print Speed (Letter, Color)

Up to 35 ppm

### Time to First Page (Black)

As fast as 11 seconds

### Time to First Page (Color)

As fast as 13 seconds

### Print Resolution, Black

1200 x 1200 dpi, 4800 Color Quality (2400 x 600 dpi)

### Print Resolution, Color

1200 x 1200 dpi, 4800 Color Quality (2400 x 600 dpi)

### Processor

800 / 133 MHz

### Memory, Standard

256 MB

### Memory, Maximum

768 MB

### Expandable Memory Options

Yes

### Apple Macintosh Operating Systems Supported

Mac OS X, Mac OS 9.2

### Citrix MetaFrame

Citrix, MetaFrame and MetaFrame XP are registered trademarks or trademarks of Citrix Systems, Inc. in the U.S. and other countries., Microsoft Windows 2000 Server running Terminal Services with Citrix MetaFrame XP Presentation Server or Citrix MetaFrame Presentation Server 3.0., Microsoft Windows Server 2003 running Terminal Services with Citrix MetaFrame XP Presentation Server or Citrix MetaFrame Presentation Server 3.0, Microsoft Windows 2000 Server running Terminal Services with Citrix Presentation Server 4.0, Microsoft Windows Server 2003 running Terminal Services with Citrix Presentation Server 4.0, Microsoft Windows Server 2003 x64 running Terminal Services with Citrix Presentation Server 4.0

### Linux Operating Systems Supported

Red Flag Linux Desktop 4.0, 5.0, Linpus Linux Desktop 9.2, 9.3, Red Hat Enterprise Linux WS 3.0, 4.0, 5.0, SUSE Linux Enterprise Server 8.0, 9.0, 10.0, Debian GNU/Linux 3.1, 4.0, Linspire Linux 5.0, SUSE Linux 10.0, 10.1, 10.2

### Microsoft Windows Operating Systems Supported

2000, NT (4.00/4.00 Server), XP, Server 2003, XP x64, Server 2003 running Terminal Services, 2000 Server running Terminal Services, Server 2003 x64, Server 2003 x64 running Terminal Services, Vista, Vista x64

### Novell Operating Systems Supported

Open Enterprise Server for Netware with NDS, iPrint or Novell Distributed Print Services (NDPS), NetWare® 3.2, 4.2 (bindery), NetWare 4.2, 5.x and 6.x (NDS), NetWare 5.x, 6.x with iPrint or Novell Distributed Print Services (NDPS)

### UNIX Operating Systems Supported

Sun Solaris SPARC 8, 9, 10, HP-UX 11.00, 11.1, IBM AIX

5.1, 5.2, 5.3, Sun Solaris x86 10

### Other Operating Systems Supported

IBM iSeries or IBM AS/400® Systems with TCP/IP with OS/400® V3R1 or later using OS/400 Host Print Transform, Virtually any platform supporting TCP/IP

### Paper Handling Standard

250-Sheet Output Bin, 500-Sheet Drawer, 500-Sheet Input Tray, Duplex Unit, 100-Sheet Multipurpose Feeder

### Paper Handling Optional

5-Bin Mailbox, 650-Sheet Output Expander, StapleSmart Finisher, 500-Sheet Drawer, Envelope Drawer, Banner Media Tray, Outdoor Media Drawer, 2,000-Sheet High-Capacity Feeder

### Paper Input Capacity, Standard: Up to

1100 pages 20 lb or 75 gsm bond

### Paper Input Capacity, Maximum: Up to

3100 pages 20 lb or 75 gsm bond

### Paper Output Capacity, Standard: Up to

250 pages 20 lb or 75 gsm bond

### Paper Output Capacity, Maximum: Up to

900 pages 20 lb or 75 gsm bond

### Finishing Option

Yes

### Number of Paper Inputs, Standard

3

### Number of Paper Inputs, Maximum

5

### Media Types Supported

Card Stock, Envelopes, Glossy Paper, Labels, Plain Paper, Transparencies, Refer to the Card Stock & Label Guide, Outdoor Media, Banner Paper

### Media Sizes Supported

10 Envelope, 7 3/4 Envelope, 9 Envelope, A4, A5, B5 Envelope, C5 Envelope, DL Envelope, Executive, Folio, JIS-B5, Legal, Letter, Statement, Universal, Banner

### Standard Ports

Ethernet 10/100BaseTX (RJ-45), One Internal Card Slot, USB Compatible with USB 2.0 Specification (Type B), USB Direct interface on Operator Panel

### Optional Network Ports

Lexmark N4050e 802.11g Wireless Print Server (Print Only), Internal MarkNet™ N8020 Gigabit Ethernet, Internal MarkNet™ N8050 802.11g Wireless, External MarkNet™ N7020e Gigabit Ethernet, Internal MarkNet™ N8030 Fiber Fast Ethernet

### Network Printing Methods

LPR/LPD, Direct IP (Port 9100), Socket (Raw TCP/IP), IPP (Internet Printing Protocol), HTTP, NDS Queue-based Printing, NDPS/NEPS (Novell Distributed Print Services, Novell Network Enterprise Print Services), Enhanced IP (Port 9400)

### Network Protocol Support

TCP/IP IPv4, IPX/SPX, AppleTalk™, LexLink (DLC), TCP/IP IPv6

### Network Security

SSL™ Enabled Embedded Web Server (HTTPS), SNMPv3, TCP/IP port access control, 802.1x Authentication: MD5, MSCHAPv2, LEAP, PEAP, TLS, TTLS, IPsec, \*This product includes software developed by the OpenSSL Project for use in the OpenSSL Toolkit.

### Printable Area

0.167 inches of the top, bottom, right and left edges (within)

### Printer Languages (Standard)

PCL 5c Emulation, PCL 6 Emulation, Personal Printer Data Stream (PPDS), PostScript 3 Emulation, PDF 1.5, xHTML, Direct Image

### Supplies Yield

Ships with 10,000\*-page black and color High Yield Return Program Print Cartridges, \*Average continuous black or continuous composite CMY declared cartridge yield up to this number of standard pages in accordance with ISO/IEC 19798., 16,500\*-page (CMYK) XL Extra High Yield Print Cartridges

### Cartridge(s) Shipping with Product

10,000\*-page (CMYK) starter High Yield Return Program Print Cartridges

### Packaged Size (in. - H x W x D)

37.2 x 52.0 x 28.5 in.

### Size (in. - H x W x D)

28.9 x 23.8 x 18.5 in.

### Weight (lb.)

132 lb.

### Noise Level, Idle

30 dBA

### Print Noise Level, Operating

53 dBA

### Product Warranty

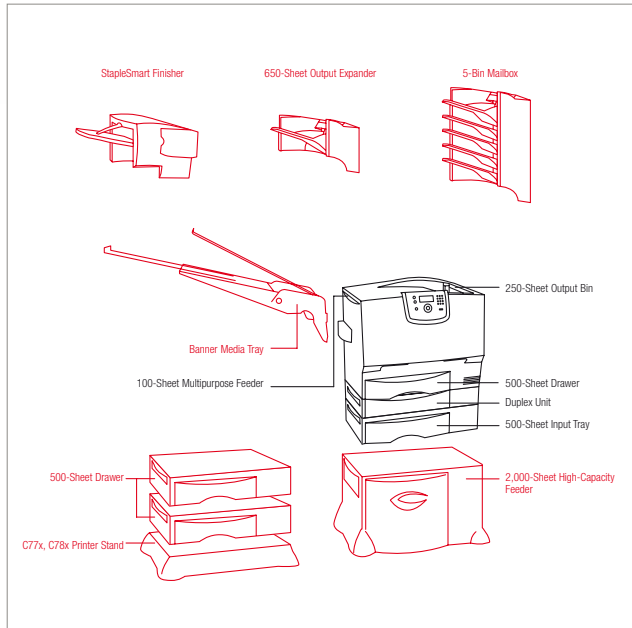
One Year Onsite Service, Next Business Day

### Maximum Monthly Duty Cycle

Up to 150,000 pages per month

### Recommended Monthly Page Volume

2,500 - 17,000 pages



Paper Handling Standard  
 Paper Handling Optional

| Part #  | Model              |
|---------|--------------------|
| 1020374 | Lexmark C782dtn XL |

**Part # Laser Toner/Print Cartridge**

|          |  |
|----------|--|
| C782U1KG | C782 XL, X782e XL Black XL Extra High Yield Return Program Print Cartridge   |
| C782U2KG | C782 XL, X782e XL Black XL Extra High Yield Print Cartridge                  |
| C782U1CG | C782 XL, X782e XL Cyan XL Extra High Yield Return Program Print Cartridge    |
| C782U2CG | C782 XL, X782e XL Cyan XL Extra High Yield Print Cartridge                   |
| C782U1MG | C782 XL, X782e XL Magenta XL Extra High Yield Return Program Print Cartridge |
| C782U2MG | C782 XL, X782e XL Magenta XL Extra High Yield Print Cartridge                |
| C782U1YG | C782 XL, X782e XL Yellow XL Extra High Yield Return Program Print Cartridge  |
| C782U2YG | C782 XL, X782e XL Yellow XL Extra High Yield Print Cartridge                 |
| 10B3100  | Waste Toner Container  |
| 11K3188  | Staple Cartridge   |

**Part # Paper & Transparencies**

|         |   |
|---------|---|
| 12A5950 | Glossy Laser Paper, Letter (200 sheets)         |
| 12A8240 | Professional Color Laser Transparencies, Letter |
| 12A8600 | Outdoor Media, Letter                           |
| 12A8940 | Banner Laser Paper                              |

**Part # Paper Handling**

|         |  |
|---------|--|
| 20B2300 | C77x, C78x 500-Sheet Drawer                |
| 20B2373 | C77x, C78x 500-Sheet Tray                  |
| 20B2700 | C772, C782 2000-Sheet High Capacity Feeder |
| 1023100 | C782 Envelope Drawer                       |
| 20B3340 | C772, C782 Outdoor Media Drawer            |
| 20B3000 | C772, C782 5-Bin Mailbox                   |
| 20B3050 | C772, C782 Output Expander                 |
| 20B3060 | C772, C782 StapleSmart Finisher            |
| 20B5000 | C772, C782 Banner Media Tray               |

**Part # Furniture**

|         |                            |
|---------|----------------------------|
| 16N1708 | C77x, C78x Printer Stand   |
| 21J0055 | C772, C782 Scanner Shelf   |
| 16C0700 | Scanner Stand with Cabinet |

**Part # MFP Options**

|         |                                       |
|---------|---------------------------------------|
| 21J0401 | Lexmark 4600 MFP Option C782, C782 XL |
|---------|---------------------------------------|

**Part # Memory Options**

|         |                  |
|---------|------------------|
| 13N1523 | 128MB DDR-DRAM   |
| 13N1530 | 40+ GB Hard Disk |
| 13N1524 | 256MB DDR-DRAM   |
| 13N1526 | 512MB DDR-DRAM   |
| 1021208 | 32MB Flash Card  |

|         |                               |
|---------|-------------------------------|
| 1021209 | 64MB Flash Card               |
| 1021243 | Japanese Font Card            |
| 1021240 | Korean Font Card              |
| 1021241 | Simplified Chinese Font Card  |
| 1021242 | Traditional Chinese Font Card |

**Part # Application Solutions**

|         |  |
|---------|--|
| 1020400 | C780, C782 Bar Code Card                               |
| 1020401 | C780, C782 Card for IPDS and SCS/Tne                   |
| 1020402 | C780, C782 Forms Card                                  |
| 1020403 | Lexmark Print/Cryption Card for the Lexmark C780, C782 |
| 1020404 | C780, C782 Card for PRESCRIBE Emulation                |

**Part # Connectivity**

|         |   |
|---------|---|
| 1021294 | USB Cable (2-meter)                               |
| 1021092 | RS-232C Serial Interface Card                     |
| 14T0145 | Lexmark N4050e 802.11g Wireless Print Server      |
| 14S0165 | MarkNet™ N8050 802.11g Wireless Print Server      |
| 14S0200 | MarkNet™ N8020 Gigabit Ethernet Print Server      |
| 14S0220 | MarkNet™ N8030 Fiber Ethernet 100BaseFX, 10BaseFL |
| 14T0220 | MarkNet™ N7020e Gigabit Ethernet Print Server     |
| 1021231 | Parallel Cable (10-foot)                          |
| 1021091 | Parallel 1284-B Interface Card                    |
| 21J0069 | 6 Meter (20 ft) Scanner Cable                     |

**Part # Extended Warranties**

|         |  |
|---------|--|
| 2349404 | 2-Years Total Onsite Service, Next Business Day  |
| 2349405 | 3-Years Total Onsite Service, Next Business Day  |
| 2349406 | 4-Years Total Onsite Service, Next Business Day  |
| 2349408 | 1-Year Onsite Service Renewal, Next Business Day |

**Part # User Replaceable Parts**

|         |  |
|---------|--|
| 40X1831 | C780, C782 Fuser Maintenance Kit 110-120V      |
| 40X0343 | C780, C782 Image Transfer Unit Maintenance Kit |



# Lexmark C935dn

Network-ready, color printer with duplex for departmental A3/11" x 17" printing

## Print Technology

Color Laser

### Print Speed (Letter, Black)

Up to 45 ppm

### Print Speed (Letter, Color)

Up to 40 ppm

### Print Speed (Letter, Black) Duplex

Up to 37 spm

### Time to First Page (Black)

As fast as 5 seconds

### Time to First Page (Color)

As fast as 9 seconds

### Print Resolution, Black

2400 Image Quality

### Print Resolution, Color

2400 Image Quality

### Memory, Standard

256 MB

### Memory, Maximum

1024MB (replacement required)

### Expandable Memory Options

Yes

### Apple Macintosh Operating Systems Supported

Mac OS X, Mac OS 9.2, Mac OS X (10.4 Intel), Mac OS X (10.4 Power PC)

### Citrix MetaFrame

Microsoft Windows 2000 Server running Terminal Services with Citrix MetaFrame XP Presentation Server or Citrix MetaFrame Presentation Server 3.0., Microsoft Windows Server 2003 running Terminal Services with Citrix MetaFrame XP Presentation Server or Citrix MetaFrame Presentation Server 3.0, Microsoft Windows 2000 Server running Terminal Services with Citrix Presentation Server 4.0, Microsoft Windows Server 2003 running Terminal Services with Citrix Presentation Server 4.0, Microsoft Windows Server 2003 x64 running Terminal Services with Citrix Presentation Server 4.0

### Linux Operating Systems Supported

Red Flag Linux Desktop 4.0, 5.0, Linpus Linux Desktop 9.2, 9.3, Red Hat Enterprise Linux WS 3.0, 4.0, 5.0, SUSE Linux Enterprise Server 8.0, 9.0, 10.0, Debian GNU/Linux 3.1, 4.0, Linspire Linux 5.0, SUSE Linux 10.0, 10.1, 10.2

### Microsoft Windows Operating Systems Supported

2000, NT (4.0/4.00 Server), XP, Server 2003, XP x64, Server 2003 running Terminal Services, 2000 Server running Terminal Services, Server 2003 x64, Server 2003 x64 running Terminal Services, Vista, Vista x64

### Novell Operating Systems Supported

Open Enterprise Server for Netware with NDS, iPrint or Novell Distributed Print Services (NDPS), NetWare® 3.2, 4.2 (bindery), NetWare 4.2, 5.x and 6.x (NDS), NetWare 5.x, 6.x with iPrint or Novell Distributed Print Services (NDPS)

### UNIX Operating Systems Supported

Sun Solaris SPARC 8, 9, 10, HP-UX 11.00, 11.1, IBM AIX 5.1, 5.2, 5.3, Sun Solaris x86 10

## Other Operating Systems Supported

IBM iSeries or IBM AS/400® Systems with TCP/IP with OS/400® V3R1 or later using OS/400 Host Print Transform, Virtually any platform supporting TCP/IP

## Paper Handling Standard

Integrated Duplex, 100-Sheet Multipurpose Feeder, 520-Sheet Input Tray

## Paper Handling Optional

3,500-Sheet Finisher, 3 x 520-Sheet Drawer Stand, 520-Sheet Drawer Stand with Cabinet, 2520-Sheet High-Capacity Feeder Stand, Booklet Finisher

### Paper Input Capacity, Standard: Up to

620 pages 20 lb or 75 gsm bond

### Paper Input Capacity, Maximum: Up to

3140 pages 20 lb or 75 gsm bond

### Paper Output Capacity, Standard: Up to

400 pages 20 lb or 75 gsm bond

### Paper Output Capacity, Maximum: Up to

3500 pages 20 lb or 75 gsm bond

## Finishing Option

Yes

### Number of Paper Inputs, Standard

2

### Number of Paper Inputs, Maximum

5

## Media Types Supported

Card Stock, Envelopes, Glossy Paper, Paper Labels, Plain Paper, Transparencies, Refer to the Card Stock & Label Guide

## Media Sizes Supported

10 Envelope, A3, A4, A5, C5 Envelope, DL Envelope, Executive, Folio, JIS-B4, JIS-B5, Ledger, Legal, Letter, Statement, Universal

## Standard Ports

One Internal Card Slot, USB Direct interface on Operator Panel, Gigabit Ethernet (10/100/1000), Hi-Speed USB

## Optional Network Ports

Lexmark N4050e 802.11g Wireless Print Server (Print Only), Internal MarkNet™ N8050 802.11g Wireless, Internal MarkNet™ N8030 Fiber Fast Ethernet

## Network Printing Methods

LPR/LPD, Direct IP (Port 9100), Socket (Raw TCP/IP), IPP (Internet Printing Protocol), HTTP, NDS Queue-based Printing, NDPS/NEPS (Novell Distributed Print Services), Novell Netware Enterprise Print Services, Enhanced IP (Port 9400), FTP, TFTP, IPP 1.1 (Internet Printing Protocol)

## Network Protocol Support

TCP/IP IPv4, IPX/SPX, AppleTalk™, LexLink (DLC), TCP/IP IPv6

## Network Security

SSL\* Enabled Embedded Web Server (HTTPS), SNMPv3, TCP/IP port access control, Authenticated and encrypted MarkVision Professional communication, 802.1x Authentication: MD5, MSCHAPv2, LEAP, PEAP, TLS, TTLS,

IPSec, \*This product includes software developed by the OpenSSL Project for use in the OpenSSL Toolkit.

## Printable Area

0.158 inches of the top, bottom, right and left edges (within)

## Printer Languages (Standard)

PCL 5c Emulation, PCL 6 Emulation, Personal Printer Data Stream (PPDS), PostScript 3 Emulation, xHTML, PDF 1.6, Direct Image

## Supplies Yield

\*Average continuous black or continuous composite CMY declared cartridge yield up to this number of standard pages in accordance with ISO/IEC 19798., 24,000\*-page color (CMY) Toner Cartridges, 38,000\*-page Black Toner Cartridge, Ships with 13,000\*-page black and 12,000\* page color Toner Cartridges

### Packaged Size (in. - H x W x D)

28.9 x 35.4 x 29.9 in.

### Size (in. - H x W x D)

20 x 25.6 x 28.0 in.

### Size, Trays Extended (in. - H x W x D)

20.5 x 38.4 x 28.0 in.

### Weight (lb.)

201 lb.

### Noise Level, Idle

34 dBA

### Print Noise Level, Operating

55 dBA

### Product Warranty

One Year Onsite Repair

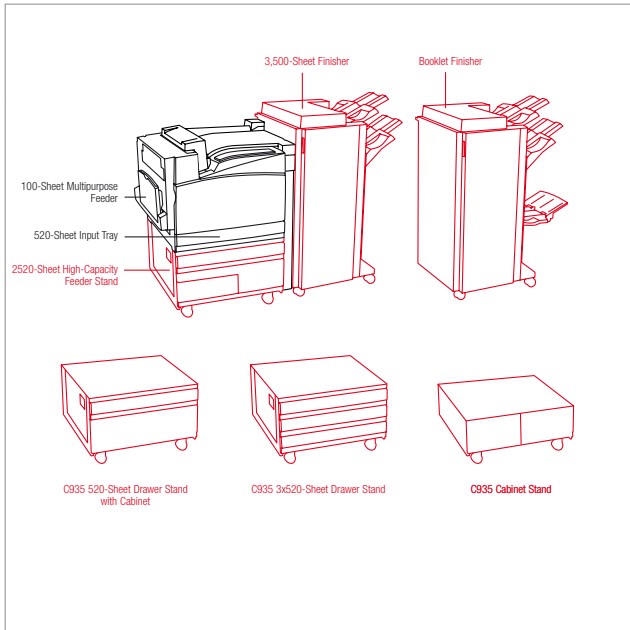
### Maximum Monthly Duty Cycle

Up to 200,000 pages per month

### Recommended Monthly Page Volume

2,500 - 33,000 pages





Paper Handling Standard  
 Paper Handling Optional

| Part #  | Model          |
|---------|----------------|
| 21Z0140 | Lexmark C935dn |

| Part #   | Laser Toner/Print Cartridge                         |
|----------|---|
| C930H2KG | C935 Black High Yield Toner Cartridge               |
| C930H2CG | C935 Cyan High Yield Toner Cartridge                |
| C930H2MG | C935 Magenta High Yield Toner Cartridge             |
| C930H2YG | C935 Yellow High Yield Toner Cartridge              |
| C930X73G | C935, X940e, X945e CMY Photoconductor Unit 3-Pack   |
| C930X72G | C935, X940e, X945e Black Photoconductor Unit 1-Pack |
| C930X76G | C935, X940e, X945e Waste Toner Bottle               |
| 25A0013  | Staple Cartridges (3 pack)                          |
| 21Z0357  | Booklet Saddle Staple Cartridges (4 pack)           |

| Part #  | Paper & Transparencies                          |
|---------|---|
| 12A5950 | Glossy Laser Paper, Letter (200 sheets)         |
| 12A8240 | Professional Color Laser Transparencies, Letter |

| Part #  | Paper Handling                                  |
|---------|---|
| 21Z0305 | C935 3x520-Sheet Drawer Stand                   |
| 21Z0307 | C935 520-Sheet Drawer Stand with Cabinet        |
| 21Z0304 | C935 2520-Sheet High Capacity Feeder Stand      |
| 21Z0308 | C935, X940e, X945e 3500-Sheet Finisher (3-Hole) |
| 21Z0309 | C935, X940e, X945e Booklet Finisher (3-Hole)    |

| Part #  | Furniture          |
|---------|--------------------|
| 21Z0306 | C935 Cabinet Stand |

| Part #  | Memory Options                |
|---------|-------------------------------|
| 13N1523 | 128MB DDR-DRAM                |
| 13N1530 | 40+ GB Hard Disk              |
| 13N1524 | 256MB DDR-DRAM                |
| 13N1526 | 512MB DDR-DRAM                |
| 1021208 | 32MB Flash Card               |
| 1021209 | 64MB Flash Card               |
| 1021243 | Japanese Font Card            |
| 1021240 | Korean Font Card              |
| 1021241 | Simplified Chinese Font Card  |
| 1021242 | Traditional Chinese Font Card |

| Part #  | Application Solutions                          |
|---------|--|
| 21Z0364 | C935 Card for IPDS and SCS/TNe                 |
| 21Z0366 | Lexmark PrintCrypton Card for the Lexmark C935 |
| 21Z0363 | C935 Bar Code and Forms Card                   |

| Part #  | Connectivity                   |
|---------|--------------------------------|
| 1021231 | Parallel Cable (10-foot)       |
| 1021294 | USB Cable (2-meter)            |
| 1021092 | RS-232C Serial Interface Card  |
| 1021091 | Parallel 1284-B Interface Card |

|         |   |
|---------|---|
| 14T0145 | Lexmark M4050e 802.11g Wireless Print Server      |
| 14S0165 | MarkNet™ N8050 802.11g Wireless Print Server      |
| 14S0220 | MarkNet™ N8030 Fiber Ethernet 100BaseFX, 10BaseFL |
| 14T0220 | MarkNet™ N7020e Gigabit Ethernet Print Server     |

| Part #  | Extended Warranties                              |
|---------|--|
| 2349440 | 2-Years Total Onsite Service, Next Business Day  |
| 2349441 | 3-Years Total Onsite Service, Next Business Day  |
| 2349442 | 4-Years Total Onsite Service, Next Business Day  |
| 2349444 | 1-Year Onsite Service Renewal, Next Business Day |

| Part #  | Service Parts                                      |
|---------|--|
| 40X4031 | C935, X940e, X945e Maintenance Kit, 100K, 110-120V |
| 40X4032 | C935, X940e, X945e Maintenance Kit, 600K           |



# Lexmark C935dtn

Network-ready color laser printer with duplex and an additional 520-sheet input for departmental A3/11" x 17" printing

## Print Technology

Color Laser

### Print Speed (Letter, Black)

Up to 45 ppm

### Print Speed (Letter, Color)

Up to 40 ppm

### Print Speed (Letter, Black) Duplex

Up to 37 spm

### Time to First Page (Black)

As fast as 5 seconds

### Time to First Page (Color)

As fast as 9 seconds

### Print Resolution, Black

2400 Image Quality

### Print Resolution, Color

2400 Image Quality

### Memory, Standard

512 MB

### Memory, Maximum

1024MB (replacement required)

### Expandable Memory Options

Yes

### Apple Macintosh Operating Systems Supported

Mac OS X, Mac OS 9.2, Mac OS X (10.4 Intel), Mac OS X (10.4 Power PC)

### Citrix MetaFrame

Microsoft Windows 2000 Server running Terminal Services with Citrix MetaFrame XP Presentation Server or Citrix MetaFrame Presentation Server 3.0., Microsoft Windows Server 2003 running Terminal Services with Citrix MetaFrame XP Presentation Server or Citrix MetaFrame Presentation Server 3.0, Microsoft Windows 2000 Server running Terminal Services with Citrix Presentation Server 4.0, Microsoft Windows Server 2003 x64 running Terminal Services with Citrix Presentation Server 4.0, Microsoft Windows Server 2003 x64 running Terminal Services with Citrix Presentation Server 4.0

### Linux Operating Systems Supported

Red Flag Linux Desktop 4.0, 5.0, Linpus Linux Desktop 9.2, 9.3, Red Hat Enterprise Linux WS 3.0, 4.0, 5.0, SUSE Linux Enterprise Server 8.0, 9.0, 10.0, Debian GNU/Linux 3.1, 4.0, Linspire Linux 5.0, SUSE Linux 10.0, 10.1, 10.2

### Microsoft Windows Operating Systems Supported

2000, NT (4.00/4.00 Server), XP, Server 2003, XP x64, Server 2003 running Terminal Services, 2000 Server running Terminal Services, Server 2003 x64, Server 2003 x64 running Terminal Services, Vista, Vista x64

### Novell Operating Systems Supported

Open Enterprise Server for Netware with NDS, iPrint or Novell Distributed Print Services (NDPS), NetWare® 3.2, 4.2 (bindery), NetWare 4.2, 5.x and 6.x (NDS), NetWare 5.x, 6.x with iPrint or Novell Distributed Print Services (NDPS)

### UNIX Operating Systems Supported

Sun Solaris SPARC 8, 9, 10, HP-UX 11.00, 11.1, IBM AIX 5.1, 5.2, 5.3, Sun Solaris x86 10

## Other Operating Systems Supported

IBM iSeries or IBM AS/400® Systems with TCP/IP with OS/400® V3R1 or later using OS/400 Host Print Transform, Virtually any platform supporting TCP/IP

## Paper Handling Standard

Integrated Duplex, 100-Sheet Multipurpose Feeder, 520-Sheet Input Tray, 520-Sheet Drawer Stand with Cabinet

## Paper Handling Optional

3,500-Sheet Finisher, Booklet Finisher

### Paper Input Capacity, Standard: Up to

1140 pages 20 lb or 75 gsm bond

### Paper Input Capacity, Maximum: Up to

1140 pages 20 lb or 75 gsm bond

### Paper Output Capacity, Standard: Up to

400 pages 20 lb or 75 gsm bond

### Paper Output Capacity, Maximum: Up to

3500 pages 20 lb or 75 gsm bond

## Finishing Option

Yes

### Number of Paper Inputs, Standard

3

### Number of Paper Inputs, Maximum

3

## Media Types Supported

Card Stock, Envelopes, Glossy Paper, Paper Labels, Plain Paper, Transparencies, Refer to the Card Stock & Label Guide

## Media Sizes Supported

10 Envelope, A3, A4, A5, C5 Envelope, DL Envelope, Executive, Folio, JIS-B4, JIS-B5, Ledger, Legal, Letter, Statement, Universal

## Standard Ports

One Internal Card Slot, USB Direct interface on Operator Panel, Gigabit Ethernet (10/100/1000), Hi-Speed USB

## Optional Network Ports

Lexmark N4050e 802.11g Wireless Print Server (Print Only), Internal MarkNet™ N8050 802.11g Wireless, Internal MarkNet™ N8030 Fiber Fast Ethernet

## Network Printing Methods

LPR/LPD, Direct IP (Port 9100), Socket (Raw TCP/IP), IPP (Internet Printing Protocol), HTTP, NDS Queue-based Printing, NDPS/NEPS (Novell Distributed Print Services, Novell Netware Enterprise Print Services), Enhanced IP (Port 9400), FTP, TFTP, IPP 1.1 (Internet Printing Protocol)

## Network Protocol Support

TCP/IP IPv4, IPX/SPX, AppleTalk™, LexLink (DLC), TCP/IP IPv6

## Network Security

SSL\* Enabled Embedded Web Server (HTTPS), SNMPv3, TCP/IP port access control, Authenticated and encrypted MarkVision Professional communication, 802.1x Authentication: MD5, MSCHAPv2, LEAP, PEAP, TLS, TTLS, IPsec. \*This product includes software developed by the OpenSSL Project for use in the OpenSSL Toolkit.

## Printable Area

0.158 inches of the top, bottom, right and left edges (within)

## Printer Languages (Standard)

PCL 5c Emulation, PCL 6 Emulation, Personal Printer Data Stream (PPDS), PostScript 3 Emulation, xHTML, PDF 1.6, Direct Image

## Supplies Yield

\*Average continuous black or continuous composite CMY declared cartridge yield up to this number of standard pages in accordance with ISO/IEC 19798., 24,000\*-page color (CMY) Toner Cartridges, 38,000\*-page Black Toner Cartridge, Ships with 13,000\*-page black and 12,000\* page color Toner Cartridges

### Packaged Size (in. - H x W x D)

41.3 x 35.4 x 29.9 in.

### Size (in. - H x W x D)

33.6 x 25.6 x 28.0 in.

### Size, Trays Extended (in. - H x W x D)

34.1 x 38.4 x 28.0 in.

### Weight (lb.)

252 lb.

### Noise Level, Idle

34 dBA

### Print Noise Level, Operating

55 dBA

### Product Warranty

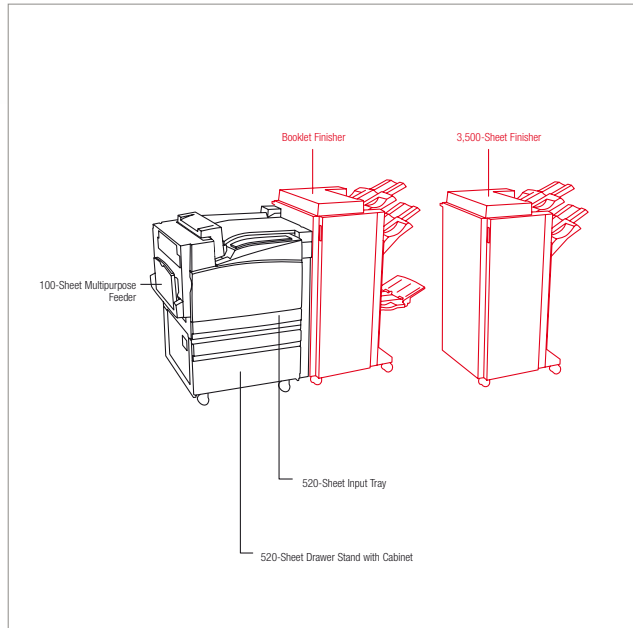
One Year Onsite Repair

### Maximum Monthly Duty Cycle

Up to 200,000 pages per month

### Recommended Monthly Page Volume

2,500 - 33,000 pages



Paper Handling Standard  
 Paper Handling Optional

| Part #  | Model           |
|---------|-----------------|
| 21Z0141 | Lexmark C935dtn |

| Part #   | Laser Toner/Print Cartridge                         |
|----------|---|
| C930H2KG | C935 Black High Yield Toner Cartridge               |
| C930H2CG | C935 Cyan High Yield Toner Cartridge                |
| C930H2MG | C935 Magenta High Yield Toner Cartridge             |
| C930H2YG | C935 Yellow High Yield Toner Cartridge              |
| C930X73G | C935, X940e, X945e CMY Photoconductor Unit 3-Pack   |
| C930X72G | C935, X940e, X945e Black Photoconductor Unit 1-Pack |
| C930X76G | C935, X940e, X945e Waste Toner Bottle               |
| 25A0013  | Staple Cartridges (3 pack)                          |
| 21Z0357  | Booklet Saddle Staple Cartridges (4 pack)           |

| Part #  | Paper & Transparencies                          |
|---------|---|
| 12A5950 | Glossy Laser Paper, Letter (200 sheets)         |
| 12A8240 | Professional Color Laser Transparencies, Letter |

| Part #  | Paper Handling                                  |
|---------|---|
| 21Z0308 | C935, X940e, X945e 3500-Sheet Finisher (3-Hole) |
| 21Z0309 | C935, X940e, X945e Booklet Finisher (3-Hole)    |

| Part #  | Memory Options                |
|---------|-------------------------------|
| 13N1523 | 128MB DDR-DRAM                |
| 13N1530 | 40+ GB Hard Disk              |
| 13N1524 | 256MB DDR-DRAM                |
| 13N1526 | 512MB DDR-DRAM                |
| 1021208 | 32MB Flash Card               |
| 1021209 | 64MB Flash Card               |
| 1021243 | Japanese Font Card            |
| 1021240 | Korean Font Card              |
| 1021241 | Simplified Chinese Font Card  |
| 1021242 | Traditional Chinese Font Card |

| Part #  | Application Solutions                          |
|---------|--|
| 21Z0364 | C935 Card for IPDS and SCS/TNe                 |
| 21Z0366 | Lexmark PrintCrypton Card for the Lexmark C935 |
| 21Z0363 | C935 Bar Code and Forms Card                   |

| Part #  | Connectivity                                      |
|---------|---|
| 1021231 | Parallel Cable (10-foot)                          |
| 1021294 | USB Cable (2-meter)                               |
| 1021092 | RS-232C Serial Interface Card                     |
| 1021091 | Parallel 1284-B Interface Card                    |
| 14T0145 | Lexmark N4050e 802.11g Wireless Print Server      |
| 14S0165 | MarkNet™ N8050 802.11g Wireless Print Server      |
| 14S0220 | MarkNet™ N8030 Fiber Ethernet 100BaseFX, 10BaseFL |
| 14T0220 | MarkNet™ N7020e Gigabit Ethernet Print Server     |

| Part #  | Extended Warranties                             |
|---------|---|
| 2349440 | 2-Years Total Onsite Service, Next Business Day |

|         |  |
|---------|--|
| 2349441 | 3-Years Total Onsite Service, Next Business Day  |
| 2349442 | 4-Years Total Onsite Service, Next Business Day  |
| 2349444 | 1-Year Onsite Service Renewal, Next Business Day |

| Part #  | Service Parts                                      |
|---------|--|
| 40X4031 | C935, X940e, X945e Maintenance Kit, 100K, 110-120V |
| 40X4032 | C935, X940e, X945e Maintenance Kit, 600K           |



# Lexmark C935dttm

Network-ready color printer with duplex and a high-capacity feeder for all departmental A3/11 x 17 inch printing needs

## Print Technology

Color Laser

### Print Speed (Letter, Black)

Up to 45 ppm

### Print Speed (Letter, Color)

Up to 40 ppm

### Print Speed (Letter, Black) Duplex

Up to 37 ppm

### Time to First Page (Black)

As fast as 5 seconds

### Time to First Page (Color)

As fast as 9 seconds

### Print Resolution, Black

2400 Image Quality

### Print Resolution, Color

2400 Image Quality

### Memory, Standard

512 MB

### Memory, Maximum

1024MB (replacement required)

### Expandable Memory Options

Yes

### Apple Macintosh Operating Systems Supported

Mac OS X, Mac OS 9.2, Mac OS X (10.4 Intel), Mac OS X (10.4 Power PC)

### Citrix MetaFrame

Microsoft Windows 2000 Server running Terminal Services with Citrix MetaFrame XP Presentation Server or Citrix MetaFrame Presentation Server 3.0., Microsoft Windows Server 2003 running Terminal Services with Citrix MetaFrame XP Presentation Server or Citrix MetaFrame Presentation Server 3.0, Microsoft Windows 2000 Server running Terminal Services with Citrix Presentation Server 4.0, Microsoft Windows Server 2003 running Terminal Services with Citrix Presentation Server 4.0, Microsoft Windows Server 2003 x64 running Terminal Services with Citrix Presentation Server 4.0

### Linux Operating Systems Supported

Red Flag Linux Desktop 4.0, 5.0, Linpus Linux Desktop 9.2, 9.3, Red Hat Enterprise Linux WS 3.0, 4.0, 5.0, SUSE Linux Enterprise Server 8.0, 9.0, 10.0, Debian GNU/Linux 3.1, 4.0, Linspire Linux 5.0, SUSE Linux 10.0, 10.1, 10.2

### Microsoft Windows Operating Systems Supported

2000, NT (4.00/4.00 Server), XP, Server 2003, XP x64, Server 2003 running Terminal Services, 2000 Server running Terminal Services, Server 2003 x64, Server 2003 x64 running Terminal Services, Vista, Vista x64

### Novell Operating Systems Supported

Open Enterprise Server for Netware with NDS, iPrint or Novell Distributed Print Services (NDPS), NetWare® 3.2, 4.2 (bindery), NetWare 4.2, 5.x and 6.x (NDS), NetWare 5.x, 6.x with iPrint or Novell Distributed Print Services (NDPS)

### UNIX Operating Systems Supported

Sun Solaris SPARC 8, 9, 10, HP-UX 11.00, 11.1, IBM AIX 5.1, 5.2, 5.3, Sun Solaris x86 10

## Other Operating Systems Supported

IBM iSeries or IBM AS/400® Systems with TCP/IP with OS/400® V3R1 or later using OS/400 Host Print Transform, Virtually any platform supporting TCP/IP

## Paper Handling Standard

Integrated Duplex, 100-Sheet Multipurpose Feeder, 520-Sheet Input Tray, 2520-Sheet High Capacity Feeder Stand

## Paper Handling Optional

3,500-Sheet Finisher, Booklet Finisher

### Paper Input Capacity, Standard: Up to

3140 pages 20 lb or 75 gsm bond

### Paper Input Capacity, Maximum: Up to

3140 pages 20 lb or 75 gsm bond

### Paper Output Capacity, Standard: Up to

400 pages 20 lb or 75 gsm bond

### Paper Output Capacity, Maximum: Up to

3500 pages 20 lb or 75 gsm bond

## Finishing Option

Yes

### Number of Paper Inputs, Standard

5

### Number of Paper Inputs, Maximum

5

## Media Types Supported

Card Stock, Envelopes, Glossy Paper, Paper Labels, Plain Paper, Transparencies, Refer to the Card Stock & Label Guide

## Media Sizes Supported

10 Envelope, A3, A4, A5, C5 Envelope, DL Envelope, Executive, Folio, JIS-B4, JIS-B5, Ledger, Legal, Letter, Statement, Universal

## Standard Ports

One Internal Card Slot, USB Direct interface on Operator Panel, Gigabit Ethernet (10/100/1000), Hi-Speed USB

## Optional Network Ports

Lexmark N4050e 802.11g Wireless Print Server (Print Only), Internal MarkNet™ N8050 802.11g Wireless, Internal MarkNet™ N8030 Fiber Fast Ethernet

## Network Printing Methods

LPR/LPD, Direct IP (Port 9100), Socket (Raw TCP/IP), IPP (Internet Printing Protocol), HTTP, NDS Queue-based Printing, NDPS/NEPS (Novell Distributed Print Services, Novell Netware Enterprise Print Services), Enhanced IP (Port 9400), FTP, TFTP, IPP 1.1 (Internet Printing Protocol)

## Network Protocol Support

TCP/IP IPv4, IPX/SPX, AppleTalk™, LexLink (DLC), TCP/IP IPv6

## Network Security

SSL\* Enabled Embedded Web Server (HTTPS), SNMPv3, TCP/IP port access control, Authenticated and encrypted MarkVision Professional communication, 802.1x Authentication: MD5, MSCHAPv2, LEAP, PEAP, TLS, TTLS, IPsec, \*This product includes software developed by the OpenSSL Project for use in the OpenSSL Toolkit.

## Printable Area

0.158 inches of the top, bottom, right and left edges (within)

## Printer Languages (Standard)

PCL 5c Emulation, PCL 6 Emulation, Personal Printer Data Stream (PPDS), PostScript 3 Emulation, xHTML, PDF 1.6, Direct Image

## Supplies Yield

\*Average continuous black or continuous composite CMY declared cartridge yield up to this number of standard pages in accordance with ISO/IEC 19798., 24,000\*-page color (CMY) Toner Cartridges, 38,000\*-page Black Toner Cartridge, Ships with 13,000\*-page black and 12,000\* page color Toner Cartridges

### Packaged Size (in. - H x W x D)

41.3 x 35.4 x 29.9 in.

### Size (in. - H x W x D)

33.6 x 25.6 x 28.0 in.

### Size, Trays Extended (in. - H x W x D)

34.1 x 38.4 x 28.0 in.

### Weight (lb.)

287 lb.

### Noise Level, Idle

34 dBA

### Print Noise Level, Operating

55 dBA

### Product Warranty

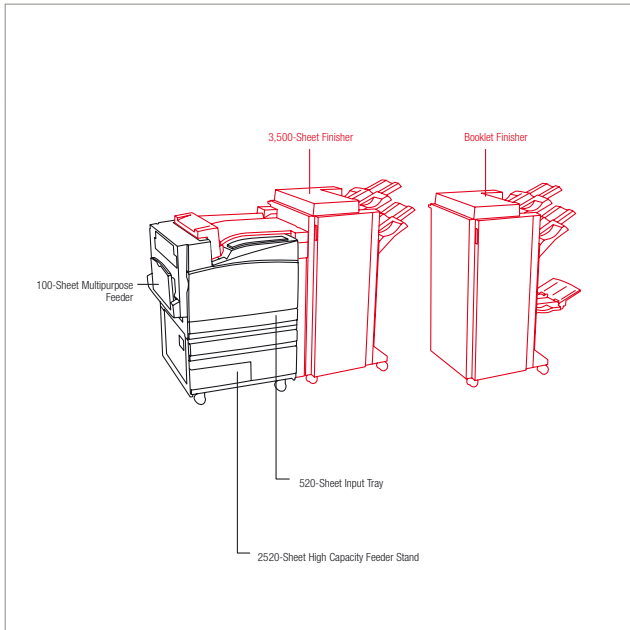
One Year Onsite Repair

### Maximum Monthly Duty Cycle

Up to 200,000 pages per month

### Recommended Monthly Page Volume

2,500 - 33,000 pages



Paper Handling Standard  
 Paper Handling Optional

| Part #  | Model           |
|---------|-----------------|
| 21Z0294 | Lexmark C935dtn |

| Part #   | Laser Toner/Print Cartridge                         |
|----------|---|
| C930H2KG | C935 Black High Yield Toner Cartridge               |
| C930H2CG | C935 Cyan High Yield Toner Cartridge                |
| C930H2MG | C935 Magenta High Yield Toner Cartridge             |
| C930H2YG | C935 Yellow High Yield Toner Cartridge              |
| C930X73G | C935, X940e, X945e CMY Photoconductor Unit 3-Pack   |
| C930X72G | C935, X940e, X945e Black Photoconductor Unit 1-Pack |
| C930X76G | C935, X940e, X945e Waste Toner Bottle               |
| 25A0013  | Staple Cartridges (3 pack)                          |
| 21Z0357  | Booklet Saddle Staple Cartridges (4 pack)           |

| Part #  | Paper & Transparencies                          |
|---------|---|
| 12A5950 | Glossy Laser Paper, Letter (200 sheets)         |
| 12A8240 | Professional Color Laser Transparencies, Letter |

| Part #  | Paper Handling                                  |
|---------|---|
| 21Z0308 | C935, X940e, X945e 3500-Sheet Finisher (3-Hole) |
| 21Z0309 | C935, X940e, X945e Booklet Finisher (3-Hole)    |

| Part #  | Memory Options                |
|---------|-------------------------------|
| 13N1523 | 128MB DDR-DRAM                |
| 13N1530 | 40+ GB Hard Disk              |
| 13N1524 | 256MB DDR-DRAM                |
| 13N1526 | 512MB DDR-DRAM                |
| 1021208 | 32MB Flash Card               |
| 1021209 | 64MB Flash Card               |
| 1021243 | Japanese Font Card            |
| 1021240 | Korean Font Card              |
| 1021241 | Simplified Chinese Font Card  |
| 1021242 | Traditional Chinese Font Card |

| Part #  | Application Solutions                          |
|---------|--|
| 21Z0364 | C935 Card for IPDS and SCS/TNe                 |
| 21Z0366 | Lexmark PrintCrypton Card for the Lexmark C935 |
| 21Z0363 | C935 Bar Code and Forms Card                   |

| Part #  | Connectivity                                      |
|---------|---|
| 1021231 | Parallel Cable (10-foot)                          |
| 1021294 | USB Cable (2-meter)                               |
| 1021092 | RS-232C Serial Interface Card                     |
| 1021091 | Parallel 1284-B Interface Card                    |
| 14T0145 | Lexmark N4050e 802.11g Wireless Print Server      |
| 14S0165 | MarkNet™ N8050 802.11g Wireless Print Server      |
| 14S0220 | MarkNet™ N8030 Fiber Ethernet 100BaseFX, 10BaseFL |
| 14T0220 | MarkNet™ N7020e Gigabit Ethernet Print Server     |

| Part #  | Extended Warranties                             |
|---------|---|
| 2349440 | 2-Years Total Onsite Service, Next Business Day |

|         |  |
|---------|--|
| 2349441 | 3-Years Total Onsite Service, Next Business Day  |
| 2349442 | 4-Years Total Onsite Service, Next Business Day  |
| 2349444 | 1-Year Onsite Service Renewal, Next Business Day |

| Part #  | Service Parts                                      |
|---------|--|
| 40X4031 | C935, X940e, X945e Maintenance Kit, 100K, 110-120V |
| 40X4032 | C935, X940e, X945e Maintenance Kit, 600K           |



# Lexmark C935hdn

Network-ready color printer with hard disk, duplex and three additional 520-sheet inputs for departmental A3/11 x 17 inch printing

## Print Technology

Color Laser

### Print Speed (Letter, Black)

Up to 45 ppm

### Print Speed (Letter, Color)

Up to 40 ppm

### Print Speed (Letter, Black) Duplex

Up to 37 spm

### Time to First Page (Black)

As fast as 5 seconds

### Time to First Page (Color)

As fast as 9 seconds

### Print Resolution, Black

2400 Image Quality

### Print Resolution, Color

2400 Image Quality

### Memory, Standard

512 MB

### Memory, Maximum

1024MB (replacement required)

### Expandable Memory Options

Yes

### Apple Macintosh Operating Systems Supported

Mac OS X, Mac OS 9.2, Mac OS X (10.4 Intel), Mac OS X (10.4 Power PC)

### Citrix MetaFrame

Microsoft Windows 2000 Server running Terminal Services with Citrix MetaFrame XP Presentation Server or Citrix MetaFrame Presentation Server 3.0., Microsoft Windows Server 2003 running Terminal Services with Citrix MetaFrame XP Presentation Server or Citrix MetaFrame Presentation Server 3.0, Microsoft Windows 2000 Server running Terminal Services with Citrix Presentation Server 4.0, Microsoft Windows Server 2003 x64 running Terminal Services with Citrix Presentation Server 4.0, Microsoft Windows Server 2003 x64 running Terminal Services with Citrix Presentation Server 4.0

### Linux Operating Systems Supported

Red Flag Linux Desktop 4.0, 5.0, Linpus Linux Desktop 9.2, 9.3, Red Hat Enterprise Linux WS 3.0, 4.0, 5.0, SUSE Linux Enterprise Server 8.0, 9.0, 10.0, Debian GNU/Linux 3.1, 4.0, Linspire Linux 5.0, SUSE Linux 10.0, 10.1, 10.2

### Microsoft Windows Operating Systems Supported

2000, NT (4.00/4.00 Server), XP, Server 2003, XP x64, Server 2003 running Terminal Services, 2000 Server running Terminal Services, Server 2003 x64, Server 2003 x64 running Terminal Services, Vista, Vista x64

### Novell Operating Systems Supported

Open Enterprise Server for Netware with NDS, iPrint or Novell Distributed Print Services (NDPS), NetWare® 3.2, 4.2 (bindery), NetWare 4.2, 5.x and 6.x (NDS), NetWare 5.x, 6.x with iPrint or Novell Distributed Print Services (NDPS)

### UNIX Operating Systems Supported

Sun Solaris SPARC 8, 9, 10, HP-UX 11.00, 11.1, IBM AIX 5.1, 5.2, 5.3, Sun Solaris x86 10

## Other Operating Systems Supported

IBM iSeries or IBM AS/400® Systems with TCP/IP with OS/400® V3R1 or later using OS/400 Host Print Transform, Virtually any platform supporting TCP/IP

## Paper Handling Standard

Integrated Duplex, 100-Sheet Multipurpose Feeder, 520-Sheet Input Tray, 3 x 520-Sheet Drawer Stand

## Paper Handling Optional

3,500-Sheet Finisher, Booklet Finisher

### Paper Input Capacity, Standard: Up to

2180 pages 20 lb or 75 gsm bond

### Paper Input Capacity, Maximum: Up to

2180 pages 20 lb or 75 gsm bond

### Paper Output Capacity, Standard: Up to

400 pages 20 lb or 75 gsm bond

### Paper Output Capacity, Maximum: Up to

3500 pages 20 lb or 75 gsm bond

## Finishing Option

Yes

### Number of Paper Inputs, Standard

5

### Number of Paper Inputs, Maximum

5

## Media Types Supported

Card Stock, Envelopes, Glossy Paper, Paper Labels, Plain Paper, Transparencies, Refer to the Card Stock & Label Guide

## Media Sizes Supported

10 Envelope, A3, A4, A5, C5 Envelope, DL Envelope, Executive, Folio, JIS-B4, JIS-B5, Ledger, Legal, Letter, Statement, Universal

## Standard Ports

One Internal Card Slot, USB Direct interface on Operator Panel, Gigabit Ethernet (10/100/1000), Hi-Speed USB

## Optional Network Ports

Lexmark N4050e 802.11g Wireless Print Server (Print Only), Internal MarkNet™ N8050 802.11g Wireless, Internal MarkNet™ N8030 Fiber Fast Ethernet

## Network Printing Methods

LPR/LPD, Direct IP (Port 9100), Socket (Raw TCP/IP), IPP (Internet Printing Protocol), HTTP, NDS Queue-based Printing, NDPS/NEPS (Novell Distributed Print Services, Novell Netware Enterprise Print Services), Enhanced IP (Port 9400), FTP, TFTP, IPP 1.1 (Internet Printing Protocol)

## Network Protocol Support

TCP/IP IPv4, IPX/SPX, AppleTalk™, LexLink (DLC), TCP/IP IPv6

## Network Security

SSL\* Enabled Embedded Web Server (HTTPS), SNMPv3, TCP/IP port access control, Authenticated and encrypted MarkVision Professional communication, 802.1x Authentication: MD5, MSCHAPv2, LEAP, PEAP, TLS, TTLS, IPsec. \*This product includes software developed by the OpenSSL Project for use in the OpenSSL Toolkit.

## Printable Area

0.158 inches of the top, bottom, right and left edges (within)

## Printer Languages (Standard)

PCL 5c Emulation, PCL 6 Emulation, Personal Printer Data Stream (PPDS), PostScript 3 Emulation, xHTML, PDF 1.6, Direct Image

## Supplies Yield

\*Average continuous black or continuous composite CMY declared cartridge yield up to this number of standard pages in accordance with ISO/IEC 19798., 24,000\*-page color (CMY) Toner Cartridges, 38,000\*-page Black Toner Cartridge, Ships with 13,000\*-page black and 12,000\* page color Toner Cartridges

### Packaged Size (in. - H x W x D)

41.3 x 35.4 x 29.9 in.

### Size (in. - H x W x D)

33.6 x 25.6 x 28.0 in.

### Size, Trays Extended (in. - H x W x D)

34.1 x 38.4 x 28.0 in.

### Weight (lb.)

267 lb.

### Noise Level, Idle

34 dBA

### Print Noise Level, Operating

55 dBA

### Product Warranty

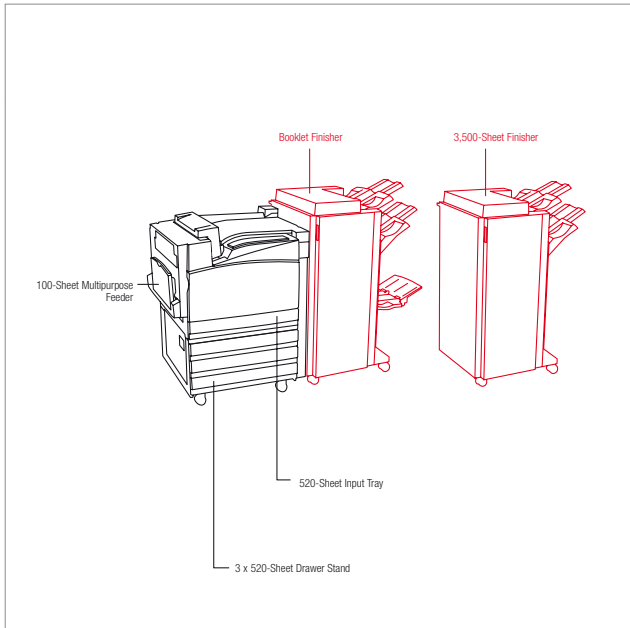
One Year Onsite Repair

### Maximum Monthly Duty Cycle

Up to 200,000 pages per month

### Recommended Monthly Page Volume

2,500 - 33,000 pages



Paper Handling Standard  
 Paper Handling Optional

| Part #  | Model           |
|---------|-----------------|
| 21Z0180 | Lexmark C935hdn |

| Part #   | Laser Toner/Print Cartridge                         |
|----------|---|
| C930H2KG | C935 Black High Yield Toner Cartridge               |
| C930H2CG | C935 Cyan High Yield Toner Cartridge                |
| C930H2MG | C935 Magenta High Yield Toner Cartridge             |
| C930H2YG | C935 Yellow High Yield Toner Cartridge              |
| C930X73G | C935, X940e, X945e CMY Photoconductor Unit 3-Pack   |
| C930X72G | C935, X940e, X945e Black Photoconductor Unit 1-Pack |
| C930X76G | C935, X940e, X945e Waste Toner Bottle               |
| 25A0013  | Staple Cartridges (3 pack)                          |
| 21Z0357  | Booklet Saddle Staple Cartridges (4 pack)           |

| Part #  | Paper & Transparencies                          |
|---------|---|
| 12A5950 | Glossy Laser Paper, Letter (200 sheets)         |
| 12A8240 | Professional Color Laser Transparencies, Letter |

| Part #  | Paper Handling                                  |
|---------|---|
| 21Z0308 | C935, X940e, X945e 3500-Sheet Finisher (3-Hole) |
| 21Z0309 | C935, X940e, X945e Booklet Finisher (3-Hole)    |

| Part #  | Memory Options                |
|---------|-------------------------------|
| 13N1523 | 128MB DDR-DRAM                |
| 13N1524 | 256MB DDR-DRAM                |
| 13N1526 | 512MB DDR-DRAM                |
| 1021208 | 32MB Flash Card               |
| 1021209 | 64MB Flash Card               |
| 1021243 | Japanese Font Card            |
| 1021240 | Korean Font Card              |
| 1021241 | Simplified Chinese Font Card  |
| 1021242 | Traditional Chinese Font Card |

| Part #  | Application Solutions                          |
|---------|--|
| 21Z0364 | C935 Card for IPDS and SCS/TNe                 |
| 21Z0366 | Lexmark PrintCrypton Card for the Lexmark C935 |
| 21Z0363 | C935 Bar Code and Forms Card                   |

| Part #  | Connectivity                                      |
|---------|---|
| 1021231 | Parallel Cable (10-foot)                          |
| 1021294 | USB Cable (2-meter)                               |
| 1021092 | RS-232C Serial Interface Card                     |
| 1021091 | Parallel 1284-B Interface Card                    |
| 14T0145 | Lexmark N4050e 802.11g Wireless Print Server      |
| 14S0165 | MarkNet™ N8050 802.11g Wireless Print Server      |
| 14S0220 | MarkNet™ N8030 Fiber Ethernet 100BaseFX, 10BaseFL |
| 14T0220 | MarkNet™ N7020e Gigabit Ethernet Print Server     |

| Part #  | Extended Warranties                             |
|---------|---|
| 2349440 | 2-Years Total Onsite Service, Next Business Day |

|         |  |
|---------|--|
| 2349441 | 3-Years Total Onsite Service, Next Business Day  |
| 2349442 | 4-Years Total Onsite Service, Next Business Day  |
| 2349444 | 1-Year Onsite Service Renewal, Next Business Day |

| Part #  | Service Parts                                      |
|---------|--|
| 40X4031 | C935, X940e, X945e Maintenance Kit, 100K, 110-120V |
| 40X4032 | C935, X940e, X945e Maintenance Kit, 600K           |

# Lexmark Z2300



Compact desktop printer that offers fast, sharp and reliable results

#### Print Technology

Thermal Inkjet

#### Color Technology

4 Color Inkjet - Cyan, Magenta, Yellow, Black, Optional

Black Cartridge for true black text, Optional 6-Color

Photo Printing

#### Maximum Print Speed (Draft, Black)

Up to 22 ppm

#### Maximum Print Speed (Draft, Color)

Up to 16 ppm

#### Print Resolution, Black

Up to 1200 x 1200 dpi

#### Print Resolution, Color

Up to 4800 x 1200 dpi

#### Duty Cycle, Maximum

3000 pages per month

---

#### Print (ASF) Paper Input Capacity, Maximum

100 pages 20 lb or 75 gsm bond

#### Media Sizes Supported

10 Envelope, 7 3/4 Envelope, 9 Envelope, A4, A5, B5 Envelope, C5 Envelope, DL Envelope, 6 3/4 Envelope, A2 Baronial, A6 Card, B5, C6 Envelope, Custom, Hagaki Card, Index Card, Executive, Legal, Letter, 4 x 6", Statement, L, 2L, Chokei 3, Chokei 4, Chokei 40, Kakugata 3, Kakugata 4, Kakugata 5, Kakugata 6, 5 x 7", 13 x 18 cm, 10 x 15 cm, 10 x 20 cm, 4 x 8"

#### Media Types Supported

Card Stock, Coated Paper, Envelopes, Glossy Paper, Labels, Plain Paper, Transparencies, Hagaki Card, Iron-On Transfers, Photo Paper

#### Borderless Printing Media Sizes

4" x 6", A4, Letter, A6, Hagaki Card, L, 2L, A5, 5" x 7", Legal, 3.5" x 5" or 89 mm x 127 mm, 10 x 15 cm, 13 x 18 cm, B5, 10 x 20 cm, 4" x 8"

#### Operating Systems Supported

XP, XP Professional x64, Vista, 2000 5.00.2195 or later, Vista x64, OS X (10.4.4-10.5.x Intel, PowerPC), OS X (10.3.9 Power PC)

---

#### Standard Ports

USB Compatible with USB 2.0 Specification (Type B)

---

#### Packaged Size (in. - H x W x D)

10.98 x 19.21 x 6.89 in.

#### Size (in. - H x W x D)

4.9 x 17.0 x 8.5 in.

#### Weight (lb.)

5.3 lb.

#### Print Noise Level, Operating

< 53 dBA

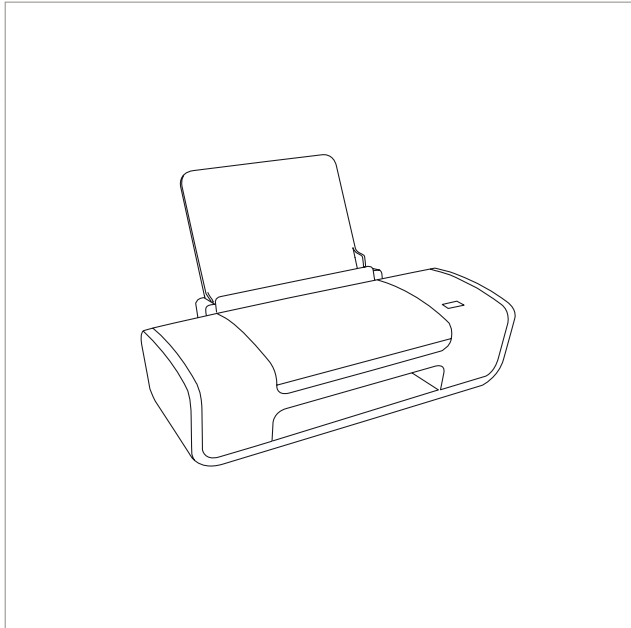
#### Product Warranty

One Year Replace

#### Product Certifications

FCC Class B, UL 60950 3rd Edition, CE Class B, CB IEC 60950 IEC 60825-1, C-tick mark Class B, CCC Class B, CSA, ICES Class B, GS (TÜV), SEMKO





| <b>Part #</b> | <b>Model</b>  |
|---------------|---------------|
| 23D0900       | Lexmark Z2300 |

| <b>Part #</b> | <b>Inkjet Ink/Print Cartridge</b>                                  |
|---------------|--|
| 18C0031       | #31 Photo Color Print Cartridge                                    |
| 18C2110       | #15 Color Return Program Print Cartridge                           |
| 18C2090       | #14 Black Return Program Print Cartridge                           |
| 18C2100       | #15A Color Print Cartridge   |
| 18C2080       | #14A Black Print Cartridge   |
| 18C2228       | Twin-Pack #14 Black Return Program Print Cartridge                 |
| 18C2239       | Twin-Pack #14, #15 Black and Color Return Program Print Cartridges |

| <b>Part #</b> | <b>Paper &amp; Transparencies</b> |
|---------------|-----------------------------------|
| 21G0726       | Premium Photo Paper (Letter - 15) |
| 21G1740       | Premium Photo Paper (Letter - 50) |
| 21G1732       | Premium Photo Paper (4"x6" - 20)  |
| 21G1734       | Premium Photo Paper (4"x6" - 60)  |
| 21G1736       | Premium Photo Paper (4"x6" - 100) |
| 21G1738       | Photo Paper (4"x6" - 100)         |
| 21G0725       | Photo Paper (Letter - 20)         |
| 21G1730       | Photo Paper (Letter - 50)         |
| 12A5411       | InkJet Letter Transparencies (50) |
| 19Y0087       | Photo Paper (Letter - 35)         |
| 19Y0067       | Photo Paper (4"x6" - 50)          |

| <b>Part #</b> | <b>Connectivity</b> |
|---------------|---------------------|
| 1021294       | USB Cable (2-meter) |

# Lexmark Z2420



Built-in wireless with fast print speeds

#### Print Technology

Thermal Inkjet

#### Color Technology

4 Color Inkjet - Cyan, Magenta, Yellow, Black, Optional

6-Color Photo Printing

#### Maximum Print Speed (Draft, Black)

Up to 25 ppm

#### Maximum Print Speed (Draft, Color)

Up to 18 ppm

#### Print Resolution, Black

Up to 1200 x 1200 dpi

#### Print Resolution, Color

Up to 4800 x 1200 dpi

#### Duty Cycle, Maximum

3000 pages per month

---

#### Print (ASF) Paper Input Capacity, Maximum

100 pages 20 lb or 75 gsm bond

#### Media Sizes Supported

10 Envelope, 7 3/4 Envelope, 9 Envelope, A4, A5, B5 Envelope, C5 Envelope, DL Envelope, 6 3/4 Envelope, A2 Baronial, A6 Card, B5, C6 Envelope, Custom, Hagaki Card, Index Card, Executive, Legal, Letter, 4 x 6", Statement, L, 2L, Chokei 3, Chokei 4, Chokei 40, Kakugata 3, Kakugata 4, Kakugata 5, Kakugata 6, 5 x 7", 13 x 18 cm, 10 x 15 cm, 10 x 20 cm, 4 x 8"

#### Media Types Supported

Card Stock, Coated Paper, Envelopes, Glossy Paper, Labels, Plain Paper, Transparencies, Banner (A4 or Letter), Hagaki Card, Iron-On Transfers, Photo Paper

#### Borderless Printing Media Sizes

4" x 6", A4, Letter, A6, Hagaki Card, L, 2L, A5, 5" x 7", 3.5" x 5" or 89 mm x 127 mm, 10 x 15 cm, 13 x 18 cm, B5, 10 x 20 cm, 4" x 8"

#### Operating Systems Supported

XP, XP Professional x64, Vista, 2000 5.00.2195 or later, Vista x64, OS X (10.4.4-10.5.x Intel, PowerPC), OS X (10.3.9 Power PC)

---

#### Standard Ports

USB Compatible with USB 2.0 Specification (Type B), 802.11g/b Wireless

---

#### Packaged Size (in. - H x W x D)

11.65 x 20.35 x 7.28 in.

#### Size (in. - H x W x D)

4.9 x 18.0 x 9.0 in.

#### Weight (lb.)

5.95 lb.

#### Print Noise Level, Operating

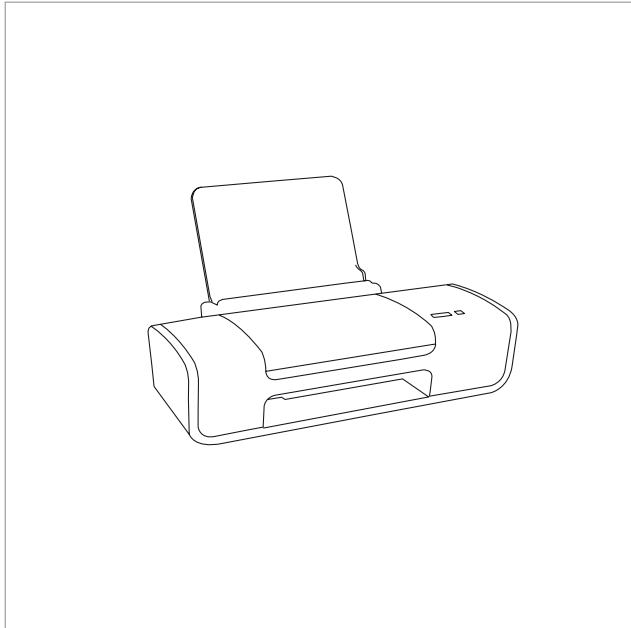
< 52 dBA

#### Product Warranty

One Year Replace, within first 90 days Next Business Day

#### Product Certifications

Energy Star, FCC Class B, UL 60950 1st Edition, CE Class B, CB IEC 60950 IEC 60825-1, C-tick mark Class B, CCC Class B, CSA, ICES Class B, GS (TÜV), SEMKO



| <b>Part #</b> | <b>Model</b>  |
|---------------|---------------|
| 13L0700       | Lexmark Z2420 |

| <b>Part #</b> | <b>Inkjet Ink/Print Cartridge</b>                                      |
|---------------|--|
| 18C2130       | #36 Black Return Program Print Cartridge                               |
| 18C2170       | #36XL Black Return Program Print Cartridge                             |
| 18C2140       | #37 Color Return Program Print Cartridge                               |
| 18C2180       | #37XL Color Return Program Print Cartridge                             |
| 18C2150       | #36A Black Print Cartridge   |
| 18C2190       | #36LA Black Print Cartridge  |
| 18C2160       | #37A Color Print Cartridge   |
| 18C2200       | #37LA Color Print Cartridge  |
| 18C0031       | #31 Photo Color Print Cartridge  |
| 18C2236       | Twin-Pack #36 Black Return Program Print Cartridge                     |
| 18C2230       | Twin-Pack #36XL Black Return Program Print Cartridge                   |
| 18C2229       | Twin-Pack #36, #37 Black and Color Return Program Print Cartridges     |
| 18C2249       | Twin-Pack #36XL, #37XL Black and Color Return Program Print Cartridges |

| <b>Part #</b> | <b>Paper &amp; Transparencies</b> |
|---------------|-----------------------------------|
| 21G0726       | Premium Photo Paper (Letter - 15) |
| 21G1740       | Premium Photo Paper (Letter - 50) |
| 21G1732       | Premium Photo Paper (4"x6" - 20)  |
| 21G1734       | Premium Photo Paper (4"x6" - 60)  |
| 21G1736       | Premium Photo Paper (4"x6" - 100) |
| 21G1738       | Photo Paper (4"x6" - 100)         |
| 21G0725       | Photo Paper (Letter - 20)         |
| 21G1730       | Photo Paper (Letter - 50)         |
| 12A5411       | InkJet Letter Transparencies (50) |
| 19Y0087       | Photo Paper (Letter - 35)         |
| 19Y0067       | Photo Paper (4"x6" - 50)          |

| <b>Part #</b> | <b>Connectivity</b> |
|---------------|---------------------|
| 1021294       | USB Cable (2-meter) |

# Lexmark X2600



All-in-one with great speed and performance

## Print Technology

Thermal Inkjet

## Color Technology

4 Color Inkjet - Cyan, Magenta, Yellow, Black, Optional

Black Cartridge for true black text, Optional 6-Color

Photo Printing

## Scan Technology

CIS with 48 bit depth

## Function

Color Copying, Color Printing, Color Scanning

## Maximum Print Speed (Draft, Black)

Up to 22 ppm

## Maximum Print Speed (Draft, Color)

Up to 16 ppm

## Maximum Copy Speed (Draft, Black)

Up to N/A cpm

## Maximum Copy Speed (Draft, Color)

Up to N/A cpm

## Time to First Copy (Color, Draft) as fast as

N/A

## Time to First Copy (Black, Draft) as fast as

N/A

## Print Resolution, Black

Up to 1200 x 1200 dpi

## Print Resolution, Color

Up to 4800 x 1200 dpi

## Scan Resolution, Enhanced

up to 19200 dpi

## Scan Resolution, Optical

600 x 1200 dpi

## Operating Systems Supported

XP, XP Professional x64, Vista, 2000 5.00.2195 or later,

Vista x64, OS X (10.4.4-10.5.x Intel, PowerPC), OS X

(10.3.9 Power PC)

## Reduce / Enlarge Range

25 - 400 %

## Scan Area, Maximum

8.5 x 11.7 inches

## Packaged Size (in. - H x W x D)

14.7 x 19.6 x 9.5 in.

## Size (in. - H x W x D)

6.9 x 17.0 x 12.3 in.

## Weight (lb.)

10.6 lb.

## Print Noise Level, Operating

50 dBA

## Copy Noise Level, Operating

50 dBA

## Scan Noise Level, Operating

40 dBA

## Product Warranty

One Year Replace

## Product Certifications

FCC Class B, UL 60950 3rd Edition, CE Class B, CB IEC

60950 IEC 60825-1, C-tick mark Class B, CCC Class B,

CSA, ICES Class B, GS (TÜV), SEMKO

## Duty Cycle, Maximum

3000 pages per month

## Print (ASF) Paper Input Capacity, Maximum

100 pages 20 lb or 75 gsm bond

## Media Types Supported

Card Stock, Envelopes, Labels, Plain Paper,

Transparencies, Banner (A4 or Letter), Hagaki Card, Index

Card (3"x5"), Photo Paper

## Media Sizes Supported

10 Envelope, 7 3/4 Envelope, 9 Envelope, A4, A5, B5

Envelope, C5 Envelope, DL Envelope, 6 3/4 Envelope,

A2 Baronial, A6 Card, B5, C6 Envelope, Custom,

Hagaki Card, Index Card, Executive, Legal, Letter, 4 x

6", Statement, L, 2L, Chokei 3, Chokei 4, Chokei 40,

Kakugata 3, Kakugata 4, Kakugata 5, Kakugata 6, 5 x 7",

13 x 18 cm, 10 x 15 cm, 10 x 20 cm, 4 x 8"

## Borderless Printing Media Sizes

4" x 6", A6, Hagaki Card, L, 2L, 5" x 7", 3.5" x 5" or

89 mm x 127 mm, 10 x 15 cm, 13 x 18 cm, 10 x 20

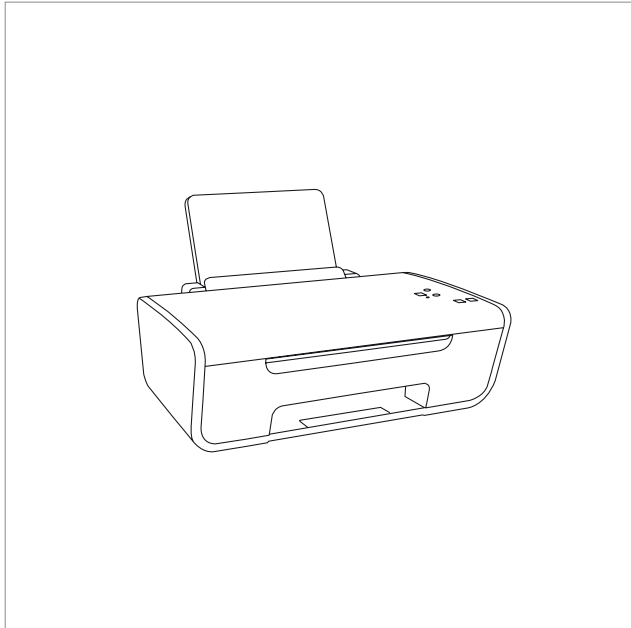
cm, 4" x 8"

## Standard Ports

USB Compatible with USB 2.0 Specification (Type B)

## PictBridge Certified USB Port

No



| <b>Part #</b> | <b>Model</b>   |
|---------------|--|
| 12L1685       | Lexmark X2600  |
| <b>Part #</b> | <b>Inkjet Ink/Print Cartridge</b>                                  |
| 18C2090       | #14 Black Return Program Print Cartridge                           |
| 18C2110       | #15 Color Return Program Print Cartridge                           |
| 18C2080       | #14A Black Print Cartridge   |
| 18C2100       | #15A Color Print Cartridge   |
| 18C0031       | #31 Photo Color Print Cartridge                                    |
| 18C2228       | Twin-Pack #14 Black Return Program Print Cartridge                 |
| 18C2239       | Twin-Pack #14, #15 Black and Color Return Program Print Cartridges |
| <b>Part #</b> | <b>Paper &amp; Transparencies</b>                                  |
| 21G1732       | Premium Photo Paper (4"x6" - 20)                                   |
| 21G1734       | Premium Photo Paper (4"x6" - 60)                                   |
| 21G1736       | Premium Photo Paper (4"x6" - 100)                                  |
| 21G0726       | Premium Photo Paper (Letter - 15)                                  |
| 21G1740       | Premium Photo Paper (Letter - 50)                                  |
| 21G1738       | Photo Paper (4"x6" - 100)  |
| 21G0725       | Photo Paper (Letter - 20)  |
| 21G1730       | Photo Paper (Letter - 50)  |
| 12A5411       | InkJet Letter Transparencies (50)                                  |
| 19Y0087       | Photo Paper (Letter - 35)  |
| 19Y0067       | Photo Paper (4"x6" - 50)   |
| <b>Part #</b> | <b>Connectivity</b>  |
| 1021294       | USB Cable (2-meter)  |



# Lexmark X2650

All-in-one with great speed and performance

## Print Technology

Thermal Inkjet

## Color Technology

4 Color Inkjet - Cyan, Magenta, Yellow, Black, Optional

6-Color Photo Printing

## Scan Technology

CIS with 48 bit depth

## Function

Color Copying, Color Printing, Color Scanning

## Maximum Print Speed (Draft, Black)

Up to 22 ppm

## Maximum Print Speed (Draft, Color)

Up to 16 ppm

## Maximum Copy Speed (Draft, Black)

Up to N/A cpm

## Maximum Copy Speed (Draft, Color)

Up to N/A cpm

## Time to First Copy (Color, Draft) as fast as

N/A

## Time to First Copy (Black, Draft) as fast as

N/A

## Print Resolution, Black

Up to 1200 x 1200 dpi

## Print Resolution, Color

Up to 4800 x 1200 dpi

## Scan Resolution, Enhanced

up to 19200 dpi

## Scan Resolution, Optical

600 x 1200 dpi

## Operating Systems Supported

XP, XP Professional x64, Vista, 2000 5.00.2195 or later,

Vista x64, OS X (10.4.4-10.5.x Intel, PowerPC), OS X

(10.3.9 Power PC)

## Print (ASF) Paper Input Capacity, Maximum

100 pages 20 lb or 75 gsm bond

## Media Types Supported

Card Stock, Envelopes, Labels, Plain Paper,

Transparencies, Banner (A4 or Letter), Hagaki Card, Index

Card (3"x5"), Photo Paper

## Media Sizes Supported

10 Envelope, 7 3/4 Envelope, 9 Envelope, A4, A5, B5

Envelope, C5 Envelope, DL Envelope, 6 3/4 Envelope,

A2 Baronial, A6 Card, B5, C6 Envelope, Custom,

Hagaki Card, Index Card, Executive, Legal, Letter, 4 x

6", Statement, L, 2L, Chokei 3, Chokei 4, Chokei 40,

Kakugata 3, Kakugata 4, Kakugata 5, Kakugata 6, 5 x 7",

13 x 18 cm, 10 x 15 cm, 10 x 20 cm, 4 x 8"

## Borderless Printing Media Sizes

4" x 6", A6, Hagaki Card, L, 2L, 5" x 7", 3.5" x 5" or

89 mm x 127 mm, 10 x 15 cm, 13 x 18 cm, 10 x 20

cm, 4" x 8"

## Standard Ports

USB Compatible with USB 2.0 Specification (Type B)

## PictBridge Certified USB Port

No

---

## Reduce / Enlarge Range

25 - 400 %

## Scan Area, Maximum

8.5 x 11.7 inches

---

## Packaged Size (in. - H x W x D)

14.7 x 19.6 x 9.5 in.

## Size (in. - H x W x D)

6.9 x 17.0 x 12.3 in.

## Weight (lb.)

10.7 lb.

## Print Noise Level, Operating

50 dBA

## Copy Noise Level, Operating

50 dBA

## Scan Noise Level, Operating

40 dBA

## Product Warranty

One Year Replace

## Product Certifications

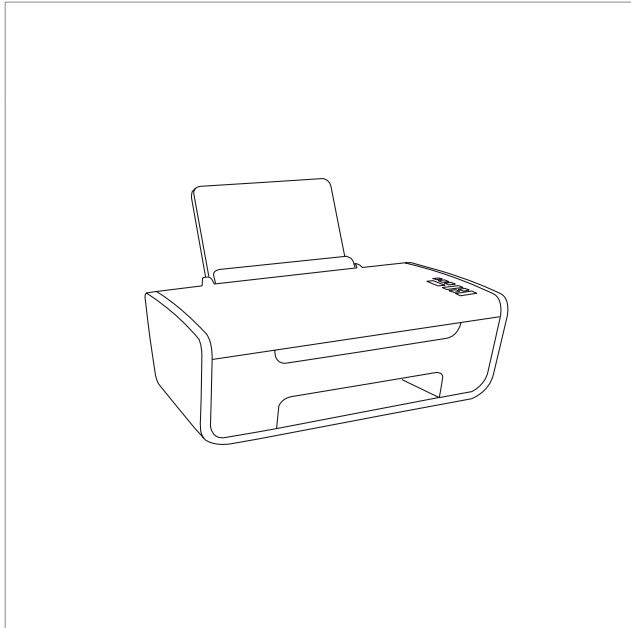
FCC Class B, UL 60950 3rd Edition, CE Class B, CB IEC

60950 IEC 60825-1, C-tick mark Class B, CCC Class B,

CSA, ICES Class B, GS (TÜV), SEMKO

## Duty Cycle, Maximum

3000 pages per month



| <b>Part #</b> | <b>Model</b>   |
|---------------|--|
| 12L1000       | Lexmark X2650  |
| <b>Part #</b> | <b>Inkjet Ink/Print Cartridge</b>                                  |
| 18C2090       | #14 Black Return Program Print Cartridge                           |
| 18C2110       | #15 Color Return Program Print Cartridge                           |
| 18C2080       | #14A Black Print Cartridge   |
| 18C2100       | #15A Color Print Cartridge   |
| 18C0031       | #31 Photo Color Print Cartridge                                    |
| 18C2228       | Twin-Pack #14 Black Return Program Print Cartridge                 |
| 18C2239       | Twin-Pack #14, #15 Black and Color Return Program Print Cartridges |
| <b>Part #</b> | <b>Paper &amp; Transparencies</b>                                  |
| 21G1732       | Premium Photo Paper (4"x6" - 20)                                   |
| 21G1734       | Premium Photo Paper (4"x6" - 60)                                   |
| 21G1736       | Premium Photo Paper (4"x6" - 100)                                  |
| 21G0726       | Premium Photo Paper (Letter - 15)                                  |
| 21G1740       | Premium Photo Paper (Letter - 50)                                  |
| 21G1738       | Photo Paper (4"x6" - 100)  |
| 21G0725       | Photo Paper (Letter - 20)  |
| 21G1730       | Photo Paper (Letter - 50)  |
| 12A5411       | InkJet Letter Transparencies (50)                                  |
| 19Y0087       | Photo Paper (Letter - 35)  |
| 19Y0067       | Photo Paper (4"x6" - 50)   |
| <b>Part #</b> | <b>Connectivity</b>  |
| 1021294       | USB Cable (2-meter)  |



# Lexmark X2670

The Lexmark™ X2670 All-in-One with great speed and performance

## Print Technology

Thermal Inkjet

## Color Technology

4 Color Inkjet - Cyan, Magenta, Yellow, Black, Optional

6-Color Photo Printing

## Scan Technology

CIS with 48 bit depth

## Function

Color Copying, Color Printing, Color Scanning

## Maximum Print Speed (Draft, Black)

Up to 26 ppm

## Maximum Print Speed (Draft, Color)

Up to 19 ppm

## Maximum Copy Speed (Draft, Black)

Up to N/A cpm

## Maximum Copy Speed (Draft, Color)

Up to N/A cpm

## Time to First Copy (Color, Draft) as fast as

N/A

## Time to First Copy (Black, Draft) as fast as

N/A

## Print Resolution, Black

Up to 1200 x 1200 dpi

## Print Resolution, Color

Up to 4800 x 1200 dpi

## Scan Resolution, Enhanced

up to 19200 dpi

## Scan Resolution, Optical

600 x 1200 dpi

## Operating Systems Supported

XP, XP Professional x64, Vista, 2000 5.00.2195 or later,

Vista x64, OS X (10.4.4-10.5.x Intel, PowerPC), OS X

(10.3.9 Power PC), available at [www.lexmark.com](http://www.lexmark.com)

## Print (ASF) Paper Input Capacity, Maximum

100 pages 20 lb or 75 gsm bond

## Media Types Supported

Card Stock, Envelopes, Glossy Paper, Labels, Plain Paper, Transparencies, Banner (A4 or Letter), Hagaki Card, Index Card (3"x5")

## Media Sizes Supported

10 Envelope, 7 3/4 Envelope, 9 Envelope, A4, A5, B5

Envelope, C5 Envelope, DL Envelope, 6 3/4 Envelope,

A2 Baronial, A6 Card, B5, C6 Envelope, Custom,

Hagaki Card, Index Card, Executive, Legal, Letter, 4 x

6", Statement, L, 2L, Chokey 3, Chokey 4, Chokey 40,

Kakugata 3, Kakugata 4, Kakugata 5, Kakugata 6, 5 x 7",

13 x 18 cm, 10 x 15 cm, 10 x 20 cm, 4 x 8"

## Borderless Printing Media Sizes

4" x 6", A4, Letter, A6, Hagaki Card, L, A5, Legal, 3.5"

x 5" or 89 mm x 127 mm, 10 x 15 cm, 10 x 20 cm, 4"

x 8", 3" x 5"

## Standard Ports

USB Compatible with USB 2.0 Specification (Type B)

## PictBridge Certified USB Port

No

---

## Reduce / Enlarge Range

25 - 400 %

## Scan Area, Maximum

8.5 x 11.7 inches

---

## Packaged Size (in. - H x W x D)

14.7 x 19.6 x 9.5 in.

## Size (in. - H x W x D)

6.9 x 17.0 x 12.3 in.

## Weight (lb.)

10.7 lb.

## Print Noise Level, Operating

50 dBA

## Copy Noise Level, Operating

50 dBA

## Scan Noise Level, Operating

40 dBA

## Product Warranty

One Year Replace

## Product Certifications

FCC Class B, UL 60950 3rd Edition, CE Class B, CB IEC

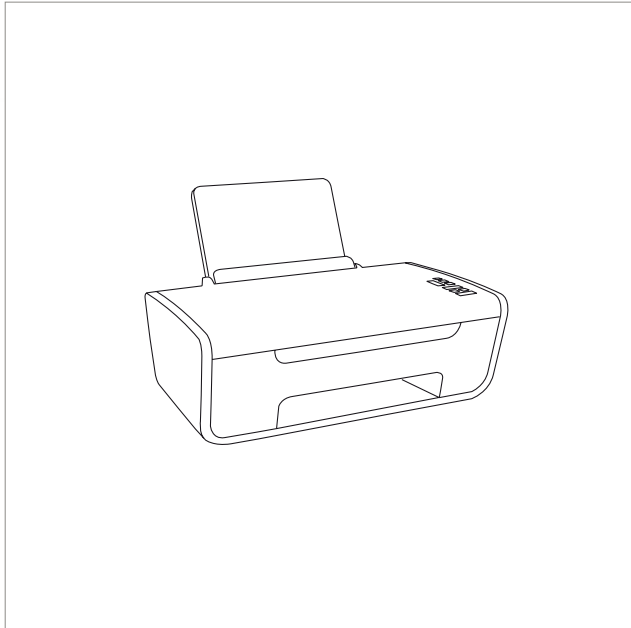
60950 IEC 60825-1, C-tick mark Class B, CCC Class B,

CSA, ICES Class B, GS (TÜV), SEMKO

## Duty Cycle, Maximum

3000 pages per month





| <b>Part #</b> | <b>Model</b>  |
|---------------|---------------|
| 26S0000       | Lexmark X2670 |

| <b>Part #</b> | <b>Inkjet Ink/Print Cartridge</b>                                  |
|---------------|--|
| 18C2090       | #14 Black Return Program Print Cartridge                           |
| 18C2110       | #15 Color Return Program Print Cartridge                           |
| 18C2080       | #14A Black Print Cartridge   |
| 18C2100       | #15A Color Print Cartridge   |
| 18C0031       | #31 Photo Color Print Cartridge                                    |
| 18C2228       | Twin-Pack #14 Black Return Program Print Cartridge                 |
| 18C2239       | Twin-Pack #14, #15 Black and Color Return Program Print Cartridges |

| <b>Part #</b> | <b>Paper &amp; Transparencies</b> |
|---------------|-----------------------------------|
| 21G1732       | Premium Photo Paper (4"x6" - 20)  |
| 21G1734       | Premium Photo Paper (4"x6" - 60)  |
| 21G1736       | Premium Photo Paper (4"x6" - 100) |
| 21G0726       | Premium Photo Paper (Letter - 15) |
| 21G1740       | Premium Photo Paper (Letter - 50) |
| 21G1738       | Photo Paper (4"x6" - 100)         |
| 21G0725       | Photo Paper (Letter - 20)         |
| 21G1730       | Photo Paper (Letter - 50)         |
| 12A5411       | InkJet Letter Transparencies (50) |
| 19Y0087       | Photo Paper (Letter - 35)         |
| 19Y0067       | Photo Paper (4"x6" - 50)          |

| <b>Part #</b> | <b>Connectivity</b> |
|---------------|---------------------|
| 1021294       | USB Cable (2-meter) |



# Lexmark X3650

## Home & Student 3-in-1

### Print Technology

Thermal Inkjet

### Color Technology

4 Color Inkjet - Cyan, Magenta, Yellow, Black

### Scan Technology

CIS with 48 bit depth

### Function

Color Copying, Color Printing, Color Scanning

### Maximum Print Speed (Draft, Black)

Up to 25 ppm

### Maximum Print Speed (Draft, Color)

Up to 18 ppm

### Maximum Copy Speed (Draft, Black)

Up to 15 cpm

### Maximum Copy Speed (Draft, Color)

Up to 10 cpm

### Time to First Copy (Color, Draft) as fast as

11 seconds

### Time to First Copy (Black, Draft) as fast as

7.5 seconds

### Print Resolution, Black

Up to 1200 x 1200 dpi

### Print Resolution, Color

Up to 4800 x 1200 dpi

### Scan Resolution, Enhanced

Up to 19200 x 19200 dpi

### Scan Resolution, Optical

600 x 1200 dpi

### Operating Systems Supported

XP, XP Professional x64, Vista, 2000 5.00.2195 or later, Vista x64, OS X (10.4.4-10.5.x Intel, PowerPC), OS X (10.3.9 Power PC)

### Print (ASF) Paper Input Capacity, Maximum

100 pages 20 lb or 75 gsm bond

### Media Types Supported

Card Stock, Envelopes, Plain Paper, Transparencies, Banner (A4 or Letter), Hagaki Card, Iron-On Transfers, Photo Paper, Heavy Weight Matte Paper

### Media Sizes Supported

10 Envelope, 7 3/4 Envelope, 9 Envelope, A4, A5, B5 Envelope, C5 Envelope, DL Envelope, 6 3/4 Envelope, A2 Baronial, A6 Card, B5, C6 Envelope, Custom, Hagaki Card, Index Card, Executive, Legal, Letter, 4 x 6", Statement, L, 2L, Chokei 3, Chokei 4, Chokei 40, Kakugata 3, Kakugata 4, Kakugata 5, Kakugata 6, 5 x 7", 13 x 18 cm, 10 x 15 cm, 10 x 20 cm, 4 x 8"

### Borderless Printing Media Sizes

4" x 6", A4, Letter, A6, Hagaki Card, L, 2L, A5, 5" x 7", Legal, 3.5" x 5" or 89 mm x 127 mm, 10 x 15 cm, 13 x 18 cm, B5, 10 x 20 cm, 4" x 8"

### Standard Ports

USB 2.0 Specification Hi-Speed Certified (Type B), USB Direct interface on Operator Panel, USB pass-through via PictBridge Port

### PictBridge Certified USB Port

Yes

### Digital Media Memory Card Compatibility

CompactFlash I & II, Sony Memory Stick, Memory Stick PRO, Secure Digital (SD) Card, MultiMediaCard (MMC), Microdrive, xD Card, Sony Memory Stick Duo (with adapter), Mini Secure Digital (Mini SD) Card (with adapter), Sony Memory Stick PRO Duo (with adapter), SanDisk TransFlash Memory Module (with adapter), RS-MMC (with adapter), xD Card Type M, Type H, MultiMediaCard (MMC) Mobile (with adapter), Micro Secure Digital (Micro SD) Card (with adapter), Secure Digital High Capacity (SDHC) Card (with adapter)

### Reduce / Enlarge Range

25 - 400 %

### Scan Area, Maximum

8.5 x 11.7 inches

### Packaged Size (in. - H x W x D)

9.646 x 22.48 x 15.59 in.

### Size (in. - H x W x D)

6.98 x 18.07 x 12.5 in.

### Weight (lb.)

11.2 lb.

### Print Noise Level, Operating

50 dBA

### Copy Noise Level, Operating

50 dBA

### Scan Noise Level, Operating

43 dBA

### Product Warranty

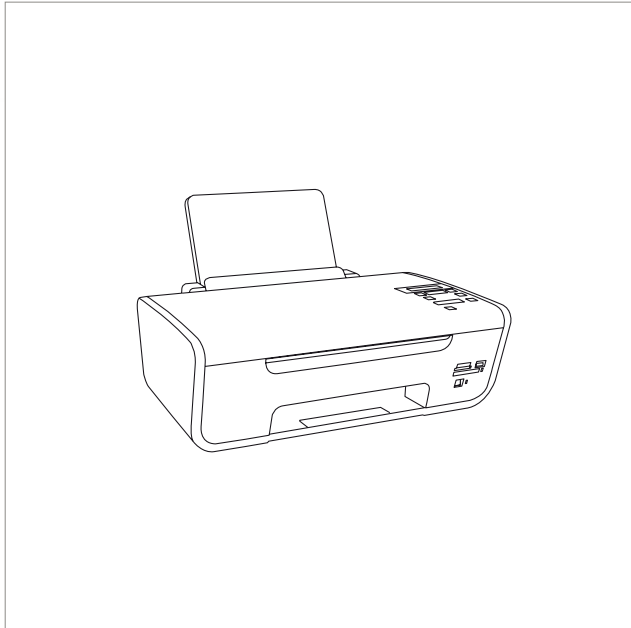
One Year Replacement

### Product Certifications

Energy Star, CSA, c-UL-us, ICES Class B, Executive Order 132221, CE Class B, CB IEC 60950 IEC 60825-1, GS (TÜV), SEMKO, C-tick mark Class B, V85, CCC Class B, BSMI Class B, METI

### Duty Cycle, Maximum

3000 pages per month



| <b>Part #</b> | <b>Model</b>   |
|---------------|--|
| 16F1200       | Lexmark X3650  |
| <b>Part #</b> | <b>Inkjet Ink/Print Cartridge</b>                                      |
| 18C2170       | #36XL Black Return Program Print Cartridge                             |
| 18C2130       | #36 Black Return Program Print Cartridge                               |
| 18C2180       | #37XL Color Return Program Print Cartridge                             |
| 18C2140       | #37 Color Return Program Print Cartridge                               |
| 18C2190       | #36LA Black Print Cartridge  |
| 18C2150       | #36A Black Print Cartridge   |
| 18C2200       | #37LA Color Print Cartridge  |
| 18C2160       | #37A Color Print Cartridge   |
| 18C0031       | #31 Photo Color Print Cartridge  |
| 18C2236       | Twin-Pack #36 Black Return Program Print Cartridge                     |
| 18C2230       | Twin-Pack #36XL Black Return Program Print Cartridge                   |
| 18C2229       | Twin-Pack #36, #37 Black and Color Return Program Print Cartridges     |
| 18C2249       | Twin-Pack #36XL, #37XL Black and Color Return Program Print Cartridges |
| <b>Part #</b> | <b>Paper &amp; Transparencies</b>                                      |
| 21G0726       | Premium Photo Paper (Letter - 15)                                      |
| 21G1740       | Premium Photo Paper (Letter - 50)                                      |
| 21G1732       | Premium Photo Paper (4"x6" - 20)                                       |
| 21G1734       | Premium Photo Paper (4"x6" - 60)                                       |
| 21G1736       | Premium Photo Paper (4"x6" - 100)                                      |
| 21G0725       | Photo Paper (Letter - 20)  |
| 19Y0087       | Photo Paper (Letter - 35)  |
| 21G1730       | Photo Paper (Letter - 50)  |
| 19Y0067       | Photo Paper (4"x6" - 50)   |
| 21G1738       | Photo Paper (4"x6" - 100)  |
| 12A5411       | InkJet Letter Transparencies (50)                                      |
| <b>Part #</b> | <b>Connectivity</b>  |
| 1021294       | USB Cable (2-meter)  |
| <b>Part #</b> | <b>Extended Warranties</b>   |
| 2350110       | 1-Year Replace   |
| 2350111       | 2-Year Replace   |



# Lexmark X4650

## Wireless Home & Student 3-in-1

### Print Technology

Thermal Inkjet

### Color Technology

4 Color Inkjet - Cyan, Magenta, Yellow, Black, Optional

6-Color Photo Printing

### Scan Technology

CIS with 48 bit depth

### Function

Color Copying, Color Printing, Color Scanning

### Maximum Print Speed (Draft, Black)

Up to 25 ppm

### Maximum Print Speed (Draft, Color)

Up to 18 ppm

### Maximum Copy Speed (Draft, Black)

Up to 15 cpm

### Maximum Copy Speed (Draft, Color)

Up to 10 cpm

### Time to First Copy (Color, Draft) as fast as

11 seconds

### Time to First Copy (Black, Draft) as fast as

7.5 seconds

### Print Resolution, Black

Up to 1200 x 1200 dpi

### Print Resolution, Color

Up to 4800 x 1200 dpi

### Scan Resolution, Enhanced

Up to 19200 x 19200 dpi

### Scan Resolution, Optical

600 x 1200 dpi

### Operating Systems Supported

XP, XP Professional x64, Vista, 2000 5.00.2195 or later, Vista x64, OS X (10.4.4-10.5.x Intel, PowerPC), OS X (10.3.9 Power PC)

### Print (ASF) Paper Input Capacity, Maximum

100 pages 20 lb or 75 gsm bond

### Media Types Supported

Card Stock, Envelopes, Labels, Plain Paper, Transparencies, Banner (A4 or Letter), Hagaki Card, Iron-On Transfers, Photo Paper, Heavy Weight Matte Paper

### Media Sizes Supported

10 Envelope, 7 3/4 Envelope, 9 Envelope, A4, A5, B5 Envelope, C5 Envelope, DL Envelope, 6 3/4 Envelope, A2 Baronial, A6 Card, B5, C6 Envelope, Custom, Hagaki Card, Index Card, Executive, Legal, Letter, 4 x 6", Statement, L, 2L, Chokey 3, Chokey 4, Chokey 40, Kakugata 3, Kakugata 4, Kakugata 5, Kakugata 6, 5 x 7", 13 x 18 cm, 10 x 15 cm, 10 x 20 cm, 4 x 8"

### Borderless Printing Media Sizes

4" x 6", A4, Letter, A6, Hagaki Card, L, 2L, A5, 5" x 7", Legal, 3.5" x 5" or 89 mm x 127 mm, 10 x 15 cm, 13 x 18 cm, B5, 10 x 20 cm, 4" x 8"

### Standard Ports

USB 2.0 Specification Hi-Speed Certified (Type B), USB pass-through via PictBridge Port, 802.11g/b Wireless

### PictBridge Certified USB Port

Yes

### Digital Media Memory Card Compatibility

CompactFlash I & II, Sony Memory Stick, Memory Stick PRO, Secure Digital (SD) Card, MultiMediaCard (MMC), Microdrive, xD Card, Sony Memory Stick Duo (with adapter), Mini Secure Digital (Mini SD) Card (with adapter), Sony Memory Stick PRO Duo (with adapter), SanDisk TransFlash Memory Module (with adapter), RS-MMC (with adapter), xD Card Type M, Type H, MultiMediaCard (MMC) Mobile (with adapter), Micro Secure Digital (Micro SD) Card (with adapter), Secure Digital High Capacity (SDHC) Card (with adapter)

### Reduce / Enlarge Range

25 - 400 %

### Scan Area, Maximum

8.5 x 11.7 inches

### Packaged Size (in. - H x W x D)

9.646 x 22.48 x 15.59 in.

### Size (in. - H x W x D)

6.98 x 18.07 x 13.03 in.

### Weight (lb.)

11.6 lb.

### Print Noise Level, Operating

50 dBA

### Copy Noise Level, Operating

50 dBA

### Scan Noise Level, Operating

43 dBA

### Product Warranty

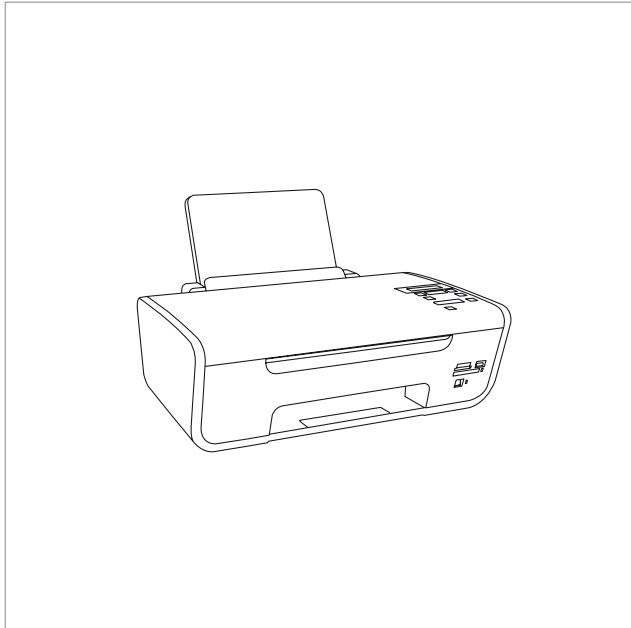
One Year Replacement

### Product Certifications

Energy Star, CSA, c-UL-us, ICES Class B, Executive Order 132221, CE Class B, CB IEC 60950 IEC 60825-1, GS (TÜV), SEMKO, C-tick mark Class B, V85, CCC Class B, BSMI Class B, METI

### Duty Cycle, Maximum

3000 pages per month



| <b>Part #</b>                            | <b>Model</b>   |
|--|--|
| 16F1400                                  | Lexmark X4650  |
| <b>Part # Inkjet Ink/Print Cartridge</b> |  |
| 18C2170                                  | #36XL Black Return Program Print Cartridge                             |
| 18C2130                                  | #36 Black Return Program Print Cartridge                               |
| 18C2190                                  | #36LA Black Print Cartridge  |
| 18C2150                                  | #36A Black Print Cartridge   |
| 18C2180                                  | #37XL Color Return Program Print Cartridge                             |
| 18C2140                                  | #37 Color Return Program Print Cartridge                               |
| 18C2200                                  | #37LA Color Print Cartridge  |
| 18C2160                                  | #37A Color Print Cartridge   |
| 18C0031                                  | #31 Photo Color Print Cartridge  |
| 18C2236                                  | Twin-Pack #36 Black Return Program Print Cartridge                     |
| 18C2230                                  | Twin-Pack #36XL Black Return Program Print Cartridge                   |
| 18C2229                                  | Twin-Pack #36, #37 Black and Color Return Program Print Cartridges     |
| 18C2249                                  | Twin-Pack #36XL, #37XL Black and Color Return Program Print Cartridges |
| <b>Part # Paper &amp; Transparencies</b> |  |
| 21G0726                                  | Premium Photo Paper (Letter - 15)                                      |
| 21G1740                                  | Premium Photo Paper (Letter - 50)                                      |
| 21G1732                                  | Premium Photo Paper (4"x6" - 20)                                       |
| 21G1734                                  | Premium Photo Paper (4"x6" - 60)                                       |
| 21G1736                                  | Premium Photo Paper (4"x6" - 100)                                      |
| 21G0725                                  | Photo Paper (Letter - 20)  |
| 19Y0087                                  | Photo Paper (Letter - 35)  |
| 21G1730                                  | Photo Paper (Letter - 50)  |
| 19Y0067                                  | Photo Paper (4"x6" - 50)   |
| 21G1738                                  | Photo Paper (4"x6" - 100)  |
| 12A5411                                  | InkJet Letter Transparencies (50)                                      |
| <b>Part # Connectivity</b>               |  |
| 1021294                                  | USB Cable (2-meter)  |



# Lexmark X4975 Professional



Wireless 3-in-1 with automatic document feeder

## Print Technology

Thermal Inkjet

## Color Technology

4 Color Inkjet - Cyan, Magenta, Yellow, Black, Optional

6-Color Photo Printing

## Scan Technology

CIS with 48 bit depth

## Function

Color Copying, Color Printing, Color Scanning

## Maximum Print Speed (Draft, Black)

Up to 30 ppm

## Maximum Print Speed (Draft, Color)

Up to 27 ppm

## Maximum Copy Speed (Draft, Black)

Up to 25 cpm

## Maximum Copy Speed (Draft, Color)

Up to 21 cpm

## Time to First Copy (Color, Draft) as fast as

11 seconds

## Time to First Copy (Black, Draft) as fast as

8 seconds

## Print Resolution, Black

Up to 1200 x 1200 dpi

## Print Resolution, Color

Up to 4800 x 2400 dpi

## Scan Resolution, Enhanced

Up to 19,200 dpi

## Scan Resolution, Optical

600 x 1200 dpi

## Operating Systems Supported

XP, XP Professional x64, Vista, 2000 5.00.2195 or later,

Vista x64, OS X (10.4.4-10.5.x Intel, PowerPC), OS X

(10.3.9 Power PC)

## Print (ASF) Paper Input Capacity, Maximum

100 pages 20 lb or 75 gsm bond

## ADF Input Paper Sizes

A4, Legal, Letter

## ADF Paper Input Capacity

Up to 25 pages 20 lb or 75 gsm bond

## Media Types Supported

Card Stock, Envelopes, Labels, Plain Paper, Banner (A4

or Letter), Hagaki Card, Iron-On Transfers, Photo Paper,

Heavy Weight Matte Paper

## Media Sizes Supported

10 Envelope, 7 3/4 Envelope, 9 Envelope, A4, A5, B5

Envelope, C5 Envelope, DL Envelope, 6 3/4 Envelope,

A2 Baronial, A6 Card, B5, C6 Envelope, Custom,

Hagaki Card, Index Card, Executive, Legal, Letter, 4 x

6", Statement, L, 2L, Chokei 3, Chokei 4, Chokei 40,

Kakugata 3, Kakugata 4, Kakugata 5, Kakugata 6, 5 x 7",

13 x 18 cm, 10 x 15 cm, 10 x 20 cm, 4 x 8"

## Borderless Printing Media Sizes

4" x 6", A4, Letter, A6, Hagaki Card, L, 2L, A5, 5" x 7",

Legal, 10 x 15 cm, 13 x 18 cm, B5

## Standard Ports

USB 2.0 Specification Hi-Speed Certified (Type B),

PictBridge Certified Port, 802.11g/b Wireless

## PictBridge Certified USB Port

Yes

## Digital Media Memory Card Compatibility

CompactFlash I & II, Sony Memory Stick, Memory Stick PRO, Secure Digital (SD) Card, MultiMediaCard (MMC), Microdrive, xD Card, Sony Memory Stick Duo (with adapter), Mini Secure Digital (Mini SD) Card (with adapter), Sony Memory Stick PRO Duo (with adapter), SanDisk TransFlash Memory Module (with adapter), RS-MMC (with adapter), xD Card Type M, Type H, MultiMediaCard (MMC) Mobile (with adapter), Micro Secure Digital (Micro SD) Card (with adapter), Micro Digital High Capacity (SDHC) Card (with adapter)

## Reduce / Enlarge Range

25 - 400 %

## Scan Area, Maximum

8.5 x 14 inches

## Packaged Size (in. - H x W x D)

16.57 x 22.01 x 11.34 in.

## Size (in. - H x W x D)

8.15 x 18.8 x 14.1 in.

## Weight (lb.)

18.8 lb.

## Print Noise Level, Operating

47 dBA

## Copy Noise Level, Operating

39 dBA

## Scan Noise Level, Operating

36 dBA

## Product Warranty

Five years. Must register for the four additional years.

## Product Certifications

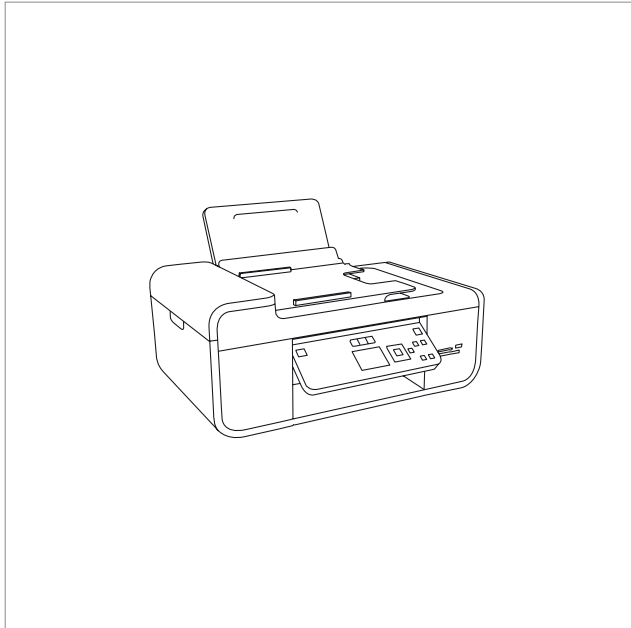
Energy Star, FCC Class B, UL 60950 3rd Edition, CE Class

B, CB IEC 60950 IEC 60825-1, C-tick mark Class B, CCC

Class B, CSA, ICES Class B, GS (TÜV), SEMKO

## Duty Cycle, Maximum

5000 pages per month



| <b>Part #</b> | <b>Model</b>  |
|---------------|---|
| 40S0300       | Lexmark X4975 Professional                              |
| <b>Part #</b> | <b>Inkjet Ink/Print Cartridge</b>                       |
| 18Y0141       | #41 Color Return Program Print Cartridge                |
| 18Y0142       | #42 Black Return Program Print Cartridge                |
| 18Y0143       | #43XL Color Print Cartridge                             |
| 18Y0144       | #44XL Black Print Cartridge                             |
| 18Y0340       | #40 Photo Print Cartridge                               |
| 18Y0341       | #41A Color Print Cartridge                              |
| 18Y0342       | #42A Black Print Cartridge                              |
| 18Y0372       | Twin-Pack #44XL, #43XL Black and Color Print Cartridges |
| <b>Part #</b> | <b>Paper &amp; Transparencies</b>                       |
| 19Y0170       | PerfectFinish™ Photo Paper (Letter - 50)                |
| 19Y0165       | PerfectFinish™ Photo Paper, 10x15 cm, 4x6" (50)         |
| 19Y0175       | PerfectFinish™ Photo Paper, 4x6" (100)                  |
| <b>Part #</b> | <b>Connectivity</b>                                     |
| 1021294       | USB Cable (2-meter)                                     |



# Lexmark X4975ve



Wireless 3-in-1 with automatic document feeder

## Print Technology

Thermal Inkjet

## Color Technology

4 Color Inkjet - Cyan, Magenta, Yellow, Black, Optional  
6-Color Photo Printing

## Scan Technology

CIS with 48 bit depth

## Function

Color Copying, Color Printing, Color Scanning

## Maximum Print Speed (Draft, Black)

Up to 30 ppm

## Maximum Print Speed (Draft, Color)

Up to 27 ppm

## Maximum Copy Speed (Draft, Black)

Up to 25 cpm

## Maximum Copy Speed (Draft, Color)

Up to 21 cpm

## Time to First Copy (Color, Draft) as fast as

11 seconds

## Time to First Copy (Black, Draft) as fast as

8 seconds

## Print Resolution, Black

Up to 1200 x 1200 dpi

## Print Resolution, Color

Up to 4800 x 2400 dpi

## Scan Resolution, Enhanced

Up to 19,200 dpi

## Scan Resolution, Optical

600 x 1200 dpi

## Operating Systems Supported

XP, XP Professional x64, Vista, 2000 5.00.2195 or later,  
Vista x64, OS X (10.4.4-10.5.x Intel, PowerPC), OS X  
(10.3.9 Power PC)

## Print (ASF) Paper Input Capacity, Maximum

100 pages 20 lb or 75 gsm bond

## ADF Input Paper Sizes

A4, Legal, Letter

## ADF Paper Input Capacity

Up to 25 pages 20 lb or 75 gsm bond

## Media Types Supported

Card Stock, Envelopes, Labels, Plain Paper, Banner (A4  
or Letter), Hagaki Card, Iron-On Transfers, Photo Paper,  
Heavy Weight Matte Paper

## Media Sizes Supported

10 Envelope, 7 3/4 Envelope, 9 Envelope, A4, A5, B5  
Envelope, C5 Envelope, DL Envelope, 6 3/4 Envelope,  
A2 Baronial, A6 Card, B5, C6 Envelope, Custom,  
Hagaki Card, Index Card, Executive, Legal, Letter, 4 x  
6", Statement, L, 2L, Chokey 3, Chokey 4, Chokey 40,  
Kakugata 3, Kakugata 4, Kakugata 5, Kakugata 6, 5 x 7",  
13 x 18 cm, 10 x 15 cm, 10 x 20 cm, 4 x 8"

## Borderless Printing Media Sizes

4" x 6", A4, Letter, A6, Hagaki Card, L, 2L, A5, 5" x 7",  
Legal, 10 x 15 cm, 13 x 18 cm, B5

## Standard Ports

Ethernet 10/100BaseTX (RJ-45), USB 2.0 Specification

Hi-Speed Certified (Type B), PictBridge Certified Port,  
802.11g/b Wireless

## PictBridge Certified USB Port

Yes

## Digital Media Memory Card Compatibility

CompactFlash I & II, Sony Memory Stick, Memory  
Stick PRO, Secure Digital (SD) Card, MultiMediaCard  
(MMC), Microdrive, xD Card, Sony Memory Stick Duo  
(with adapter), Mini Secure Digital (Mini SD) Card (with  
adapter), Sony Memory Stick PRO Duo (with adapter),  
SanDisk TransFlash Memory Module (with adapter),  
RS-MMC (with adapter), xD Card Type M, Type H,  
MultiMediaCard (MMC) Mobile (with adapter), Micro  
Secure Digital (Micro SD) Card (with adapter), Secure  
Digital High Capacity (SDHC) Card (with adapter)

## Reduce / Enlarge Range

25 - 400 %

## Scan Area, Maximum

8.5 x 14 inches

## Packaged Size (in. - H x W x D)

16.57 x 22.01 x 11.34 in.

## Size (in. - H x W x D)

8.15 x 18.8 x 14.1 in.

## Weight (lb.)

18.8 lb.

## Print Noise Level, Operating

47 dBA

## Copy Noise Level, Operating

39 dBA

## Scan Noise Level, Operating

36 dBA

## Product Warranty

One Year Replacement

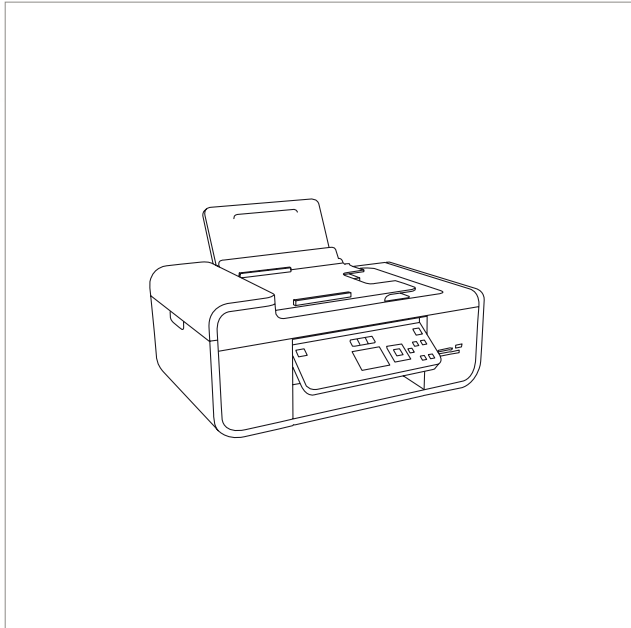
## Product Certifications

Energy Star, FCC Class B, UL 60950 3rd Edition, CE Class  
B, CB IEC 60950 IEC 60825-1, C-tick mark Class B, CCC  
Class B, CSA, ICES Class B, GS (TÜV), SEMKO

## Duty Cycle, Maximum

5000 pages per month





| <b>Part #</b> | <b>Model</b>  |
|---------------|---|
| 40S0400       | Lexmark X4975ve   |
| <b>Part #</b> | <b>Inkjet Ink/Print Cartridge</b>                       |
| 18Y0141       | #41 Color Return Program Print Cartridge                |
| 18Y0142       | #42 Black Return Program Print Cartridge                |
| 18Y0143       | #43XL Color Print Cartridge                             |
| 18Y0144       | #44XL Black Print Cartridge                             |
| 18Y0340       | #40 Photo Print Cartridge                               |
| 18Y0341       | #41A Color Print Cartridge                              |
| 18Y0342       | #42A Black Print Cartridge                              |
| 18Y0372       | Twin-Pack #44XL, #43XL Black and Color Print Cartridges |
| <b>Part #</b> | <b>Paper &amp; Transparencies</b>                       |
| 19Y0170       | PerfectFinish™ Photo Paper (Letter - 50)                |
| 19Y0165       | PerfectFinish™ Photo Paper, 10x15 cm, 4x6" (50)         |
| 19Y0175       | PerfectFinish™ Photo Paper, 4x6" (100)                  |
| <b>Part #</b> | <b>Connectivity</b>                                     |
| 1021294       | USB Cable (2-meter)                                     |

# Lexmark X5075 Professional



All-in-One with full-featured fax functionality, business-class speeds and easy scan and copy capability

## Print Technology

Thermal Inkjet

## Color Technology

4 Color Inkjet - Cyan, Magenta, Yellow, Black, Optional

6-Color Photo Printing

## Scan Technology

CIS with 48 bit depth

## Function

Color Copying, Color Printing, Color Scanning, Faxing

## Maximum Print Speed (Draft, Black)

Up to 24 ppm

## Maximum Print Speed (Draft, Color)

Up to 17 ppm

## Maximum Copy Speed (Draft, Black)

Up to 16 cpm

## Maximum Copy Speed (Draft, Color)

Up to 12 cpm

## Time to First Copy (Color, Draft) as fast as

17.3 seconds

## Time to First Copy (Black, Draft) as fast as

10.7 seconds

## Print Resolution, Black

Up to 1200 x 1200 dpi

## Print Resolution, Color

Up to 4800 x 1200 dpi

## Scan Resolution, Enhanced

Up to 19200 x 19200 dpi

## Scan Resolution, Optical

600 x 1200 dpi

## Operating Systems Supported

XP, XP Professional x64, Vista, 2000 5.00.2195 or later,

Vista x64, OS X (10.4.4-10.5.x Intel, PowerPC), OS X

(10.3.9 Power PC)

## Print (ASF) Paper Input Capacity, Maximum

100 pages 20 lb or 75 gsm bond

## ADF Input Paper Sizes

A4, Legal, Letter, A5, Hagaki Card, Index Card (3 x 5"),

B5, A6, L, 2L, 10 x 15 cm, 13 x 18 cm, 20 x 25 cm, 4 x 6", 5 x 7", 3.5 x 5", 9 x 13 cm, 6 x 8 cm

## ADF Paper Input Capacity

Up to 30 pages 20 lb or 75 gsm bond

## Media Types Supported

Card Stock, Coated Paper, Envelopes, Labels, Plain Paper,

Transparencies, Banner (A4 or Letter), Hagaki Card, Index

Card (3"x5"), Photo Paper

## Media Sizes Supported

10 Envelope, 7 3/4 Envelope, 9 Envelope, A4, A5, B5

Envelope, C5 Envelope, DL Envelope, 6 3/4 Envelope,

A2 Baronial, A6 Card, B5, C6 Envelope, Custom,

Hagaki Card, Index Card, Executive, Legal, Letter, 4 x

6", Statement, L, 2L, Chokey 3, Chokey 4, Chokey 40,

Kakugata 3, Kakugata 4, Kakugata 5, Kakugata 6, 5 x 7",

13 x 18 cm, 10 x 15 cm, 10 x 20 cm, 4 x 8"

## Borderless Printing Media Sizes

4" x 6", A4, Letter, A6, Hagaki Card, L, 2L, A5, 5" x 7",

3.5" x 5" or 89 mm x 127 mm, 10 x 15 cm, 13 x 18 cm

## Standard Ports

USB 2.0 Specification Hi-Speed Certified (Type B),

PictBridge Certified Port, USB pass-through via PictBridge

Port

## Optional Network Ports

Lexmark N4000e Fast Ethernet (Print and Scan), Lexmark

N4050e 802.11g Wireless Print Server (Print and Scan)

## PictBridge Certified USB Port

Yes

## Reduce / Enlarge Range

25 - 400 %

## Scan Area, Maximum

8.5 x 14 inches

## Modem Speed

33.6 Kbps

## Packaged Size (in. - H x W x D)

11.2 x 21.3 x 15.7 in.

## Size (in. - H x W x D)

7.6 x 17.9 x 12.8 in.

## Weight (lb.)

11.2 lb.

## Print Noise Level, Operating

50 dBA

## Copy Noise Level, Operating

50 dBA

## Scan Noise Level, Operating

40 dBA

## Product Warranty

One Year Replace

## Product Certifications

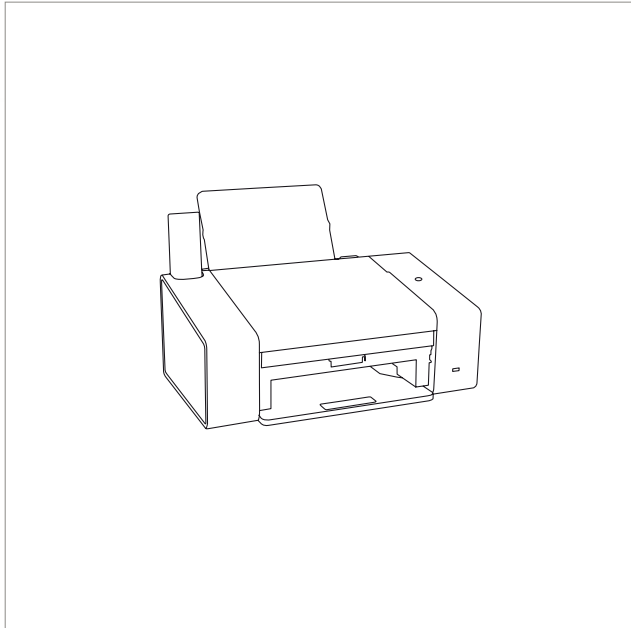
FCC Class B, UL 60950 3rd Edition, CE Class B, CB IEC

60950 IEC 60825-1, C-tick mark Class B, CCC Class B,

CSA, ICES Class B, GS (TÜV), SEMKO

## Duty Cycle, Maximum

3000 pages per month



| <b>Part #</b> | <b>Model</b>   |
|---------------|--|
| 11N1500       | Lexmark X5075 Professional   |
| <b>Part #</b> | <b>Inkjet Ink/Print Cartridge</b>                                  |
| 18C1428       | #28 Black Return Program Print Cartridge                           |
| 18C1429       | #29 Color Return Program Print Cartridge                           |
| 18C1528       | #28A Black Print Cartridge   |
| 18C1529       | #29A Color Print Cartridge   |
| 18C0034       | #34 High Yield Black Print Cartridge                               |
| 18C0035       | #35 High Yield Color Print Cartridge                               |
| 18C0031       | #31 Photo Color Print Cartridge                                    |
| 18C1590       | Twin-Pack #28, #29 Black and Color Return Program Print Cartridges |
| 18C1570       | Twin-Pack #28 Black Return Program Print Cartridge                 |
| 18C0535       | Twin-Pack #34, #35 Black and Color High Yield Print Cartridges     |
| <b>Part #</b> | <b>Paper &amp; Transparencies</b>                                  |
| 21G1732       | Premium Photo Paper (4"x6" - 20)                                   |
| 21G1734       | Premium Photo Paper (4"x6" - 60)                                   |
| 21G1736       | Premium Photo Paper (4"x6" - 100)                                  |
| 21G0726       | Premium Photo Paper (Letter - 15)                                  |
| 21G1740       | Premium Photo Paper (Letter - 50)                                  |
| 21G1738       | Photo Paper (4"x6" - 100)  |
| 21G0725       | Photo Paper (Letter - 20)  |
| 21G1730       | Photo Paper (Letter - 50)  |
| 12A5411       | InkJet Letter Transparencies (50)                                  |
| 19Y0087       | Photo Paper (Letter - 35)  |
| 19Y0067       | Photo Paper (4"x6" - 50)   |
| <b>Part #</b> | <b>Connectivity</b>  |
| 1021294       | USB Cable (2-meter)  |
| 14T0030       | Lexmark N4000e for Ethernet 10/100BaseTX                           |
| 14T0145       | Lexmark N4050e 802.11g Wireless Print Server                       |
| <b>Part #</b> | <b>Extended Warranties</b>   |
| 2349818       | 1-Year Replace, Next Business Day                                  |
| 2349819       | 2-Year Replace, Next Business Day                                  |

# Lexmark X5650



Versatile all-in-one with fax

## Print Technology

Thermal Inkjet

## Color Technology

4 Color Inkjet - Cyan, Magenta, Yellow, Black

## Scan Technology

CIS with 48 bit depth

## Function

Color Copying, Color Printing, Color Scanning, Faxing

## Maximum Print Speed (Draft, Black)

Up to 25 ppm

## Maximum Print Speed (Draft, Color)

Up to 18 ppm

## Maximum Copy Speed (Draft, Black)

Up to 17 cpm

## Maximum Copy Speed (Draft, Color)

Up to 11 cpm

## Time to First Copy (Color, Draft) as fast as

10 seconds

## Time to First Copy (Black, Draft) as fast as

8 seconds

## Print Resolution, Black

Up to 1200 x 1200 dpi

## Print Resolution, Color

Up to 4800 x 1200 dpi

## Scan Resolution, Enhanced

Up to 19200 x 19200 dpi

## Scan Resolution, Optical

600 x 1200 dpi

## Operating Systems Supported

XP, XP Professional x64, Vista, 2000 5.00.2195 or later, Vista x64, OS X (10.4.4-10.5.x Intel, PowerPC), OS X (10.3.9 Power PC)

## Print (ASF) Paper Input Capacity, Maximum

100 pages 20 lb or 75 gsm bond

## ADF Input Paper Sizes

A4, Legal, Letter

## ADF Paper Input Capacity

Up to 25 pages 20 lb or 75 gsm bond

## Media Types Supported

Card Stock, Envelopes, Plain Paper, Transparencies, Banner (A4 or Letter), Hagaki Card, Iron-On Transfers, Photo Paper, Heavy Weight Matte Paper

## Media Sizes Supported

10 Envelope, 7 3/4 Envelope, 9 Envelope, A4, A5, B5 Envelope, C5 Envelope, DL Envelope, 6 3/4 Envelope, A2 Baronial, A6 Card, B5, C6 Envelope, Custom, Hagaki Card, Index Card, Executive, Legal, Letter, 4 x 6", Statement, L, 2L, Chokei 3, Chokei 4, Chokei 40, Kakugata 3, Kakugata 4, Kakugata 5, Kakugata 6, 5 x 7", 13 x 18 cm, 10 x 15 cm

## Borderless Printing Media Sizes

4" x 6", A4, Letter, A6, Hagaki Card, L, 2L, A5, 5" x 7", Legal, 3.5" x 5" or 89 mm x 127 mm, 10 x 15 cm, 13 x 18 cm, B5, 10 x 20 cm, 4" x 8"

## Standard Ports

USB 2.0 Specification Hi-Speed Certified (Type B),

USB Direct interface on Operator Panel, PictBridge

Certified Port

## Optional Network Ports

Lexmark N4000e Fast Ethernet (Print and Scan), Lexmark N4050e 802.11g Wireless Print Server (Print and Scan)

## PictBridge Certified USB Port

Yes

## Digital Media Memory Card Compatibility

CompactFlash I & II, Sony Memory Stick, Memory Stick PRO, Secure Digital (SD) Card, MultiMediaCard (MMC), Microdrive, Sony Memory Stick Duo (with adapter), Mini Secure Digital (Mini SD) Card (with adapter), Sony Memory Stick PRO Duo (with adapter), SanDisk TransFlash Memory Module (with adapter), RS-MMC (with adapter), xD Card Type M, Type H, MultiMediaCard (MMC) Mobile (with adapter), Micro Secure Digital (Micro SD) Card (with adapter), Secure Digital High Capacity (SDHC) Card (with adapter)

## Reduce / Enlarge Range

25 - 400 %

## Scan Area, Maximum

8.5 x 14 inches

## Modem Speed

33.6 Kbps

## Packaged Size (in. - H x W x D)

16.575 x 21.457 x 12.44 in.

## Size (in. - H x W x D)

8.1 x 18.3 x 11.6 in.

## Weight (lb.)

16.55 lb.

## Print Noise Level, Operating

48 dBA

## Copy Noise Level, Operating

43 dBA

## Scan Noise Level, Operating

37 dBA

## Product Warranty

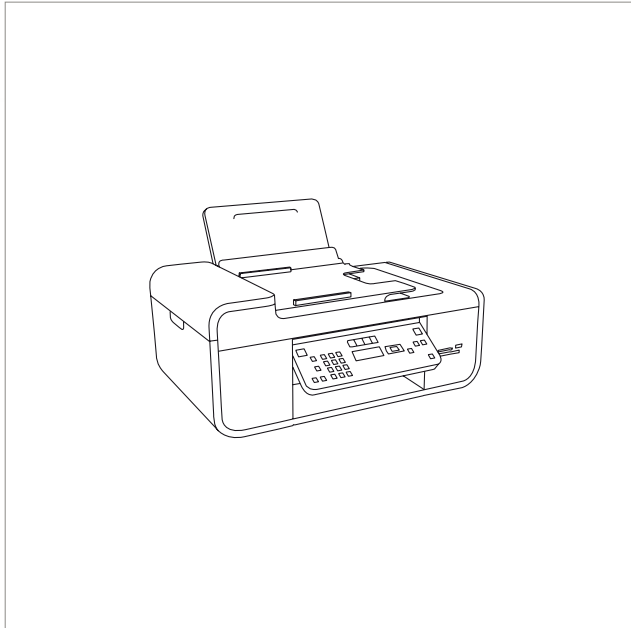
One Year Replacement

## Product Certifications

Energy Star, CSA, c-UL-us, ICES Class B, Executive Order 132221, CE Class B, CB IEC 60950 IEC 60825-1, GS (TÜV), SEMKO, C-tick mark Class B, V85, CCC Class B, BSMI Class B, METI

## Duty Cycle, Maximum

3000 pages per month



| <b>Part #</b>                            | <b>Model</b>   |
|--|--|
| 20R1500                                  | Lexmark X5650  |
| <b>Part # Inkjet Ink/Print Cartridge</b> |  |
| 18C2170                                  | #36XL Black Return Program Print Cartridge                             |
| 18C2130                                  | #36 Black Return Program Print Cartridge                               |
| 18C2180                                  | #37XL Color Return Program Print Cartridge                             |
| 18C2140                                  | #37 Color Return Program Print Cartridge                               |
| 18C2190                                  | #36LA Black Print Cartridge  |
| 18C2150                                  | #36A Black Print Cartridge   |
| 18C2200                                  | #37LA Color Print Cartridge  |
| 18C2160                                  | #37A Color Print Cartridge   |
| 18C0031                                  | #31 Photo Color Print Cartridge  |
| 18C2236                                  | Twin-Pack #36 Black Return Program Print Cartridge                     |
| 18C2230                                  | Twin-Pack #36XL Black Return Program Print Cartridge                   |
| 18C2229                                  | Twin-Pack #36, #37 Black and Color Return Program Print Cartridges     |
| 18C2249                                  | Twin-Pack #36XL, #37XL Black and Color Return Program Print Cartridges |
| <b>Part # Paper &amp; Transparencies</b> |  |
| 21G0726                                  | Premium Photo Paper (Letter - 15)                                      |
| 21G1740                                  | Premium Photo Paper (Letter - 50)                                      |
| 21G1732                                  | Premium Photo Paper (4"x6" - 20)                                       |
| 21G1734                                  | Premium Photo Paper (4"x6" - 60)                                       |
| 21G1736                                  | Premium Photo Paper (4"x6" - 100)                                      |
| 21G0725                                  | Photo Paper (Letter - 20)  |
| 19Y0087                                  | Photo Paper (Letter - 35)  |
| 21G1730                                  | Photo Paper (Letter - 50)  |
| 19Y0067                                  | Photo Paper (4"x6" - 50)   |
| 21G1738                                  | Photo Paper (4"x6" - 100)  |
| 12A5411                                  | InkJet Letter Transparencies (50)                                      |
| <b>Part # Connectivity</b>               |  |
| 1021294                                  | USB Cable (2-meter)  |

# Lexmark X6650



## Wireless 4-in-1

### Print Technology

Thermal Inkjet

### Color Technology

4 Color Inkjet - Cyan, Magenta, Yellow, Black, Optional

6-Color Photo Printing

### Scan Technology

CIS with 48 bit depth

### Function

Color Copying, Color Printing, Color Scanning, Faxing

### Maximum Print Speed (Draft, Black)

Up to 25 ppm

### Maximum Print Speed (Draft, Color)

Up to 18 ppm

### Maximum Copy Speed (Draft, Black)

Up to 17 cpm

### Maximum Copy Speed (Draft, Color)

Up to 11 cpm

### Time to First Copy (Color, Draft) as fast as

10 seconds

### Time to First Copy (Black, Draft) as fast as

8 seconds

### Print Resolution, Black

Up to 1200 x 1200 dpi

### Print Resolution, Color

Up to 4800 x 1200 dpi

### Scan Resolution, Enhanced

Up to 19200 x 19200 dpi

### Scan Resolution, Optical

600 x 1200 dpi

### Operating Systems Supported

XP, XP Professional x64, Vista, 2000 5.00.2195 or later,

Vista x64, OS X (10.4.4-10.5.x Intel, PowerPC), OS X

(10.3.9 Power PC)

### Print (ASF) Paper Input Capacity, Maximum

100 pages 20 lb or 75 gsm bond

### ADF Input Paper Sizes

A4, Legal, Letter

### ADF Paper Input Capacity

Up to 25 pages 20 lb or 75 gsm bond

### Media Types Supported

Card Stock, Envelopes, Labels, Plain Paper,

Transparencies, Banner (A4 or Letter), Hagaki Card, Iron-

On Transfers, Photo Paper, Heavy Weight Matte Paper

### Media Sizes Supported

10 Envelope, 7 3/4 Envelope, 9 Envelope, A4, A5, B5 Envelope, C5 Envelope, DL Envelope, 6 3/4 Envelope, A2 Baronial, A6 Card, B5, C6 Envelope, Custom, Hagaki Card, Index Card, Executive, Legal, Letter, 4 x 6", Statement, L, 2L, Chokey 3, Chokey 4, Chokey 40, Kakugata 3, Kakugata 4, Kakugata 5, Kakugata 6, 5 x 7", 13 x 18 cm, 10 x 15 cm

### Borderless Printing Media Sizes

4" x 6", A4, Letter, A6, Hagaki Card, L, 2L, A5, 5" x 7", Legal, 3.5" x 5" or 89 mm x 127 mm, 10 x 15 cm, 13 x 18 cm, B5, 10 x 20 cm, 4" x 8"

### Standard Ports

USB 2.0 Specification Hi-Speed Certified (Type B),

PictBridge Certified Port, 802.11g/b Wireless

### PictBridge Certified USB Port

Yes

### Digital Media Memory Card Compatibility

CompactFlash I & II, Sony Memory Stick, Memory Stick

PRO, Secure Digital (SD) Card, MultiMediaCard (MMC),

Microdrive, Sony Memory Stick Duo (with adapter),

Mini Secure Digital (Mini SD) Card (with adapter),

Sony Memory Stick PRO Duo (with adapter), SanDisk

TransFlash Memory Module (with adapter), RS-MMC (with

adapter), xD Card Type M, Type H, MultiMediaCard (MMC)

Mobile (with adapter), Micro Secure Digital (Micro SD)

Card (with adapter), Secure Digital High Capacity (SDHC)

Card (with adapter)

### Reduce / Enlarge Range

25 - 400 %

### Scan Area, Maximum

8.5 x 14 inches

### Modem Speed

33.6 Kbps

### Packaged Size (in. - H x W x D)

16.575 x 21.457 x 12.44 in.

### Size (in. - H x W x D)

8.1 x 18.3 x 11.6 in.

### Weight (lb.)

16.55 lb.

### Print Noise Level, Operating

48 dBA

### Copy Noise Level, Operating

43 dBA

### Scan Noise Level, Operating

37 dBA

### Product Warranty

One Year Replacement

### Product Certifications

Energy Star, CSA, c-UL-us, ICES Class B, Executive Order

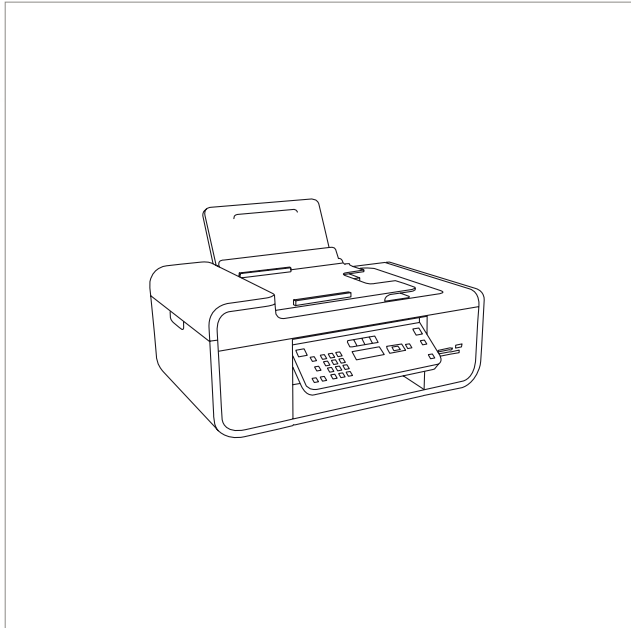
132221, CE Class B, CB IEC 60950 IEC 60825-1, GS

(TÜV), SEMKO, C-tick mark Class B, V85, CCC Class B,

BSMI Class B, METI

### Duty Cycle, Maximum

3000 pages per month



| <b>Part #</b>                            | <b>Model</b>   |
|--|--|
| 20R1000                                  | Lexmark X6650  |
| <b>Part # Inkjet Ink/Print Cartridge</b> |  |
| 18C2170                                  | #36XL Black Return Program Print Cartridge                             |
| 18C2130                                  | #36 Black Return Program Print Cartridge                               |
| 18C2190                                  | #36LA Black Print Cartridge  |
| 18C2150                                  | #36A Black Print Cartridge   |
| 18C2180                                  | #37XL Color Return Program Print Cartridge                             |
| 18C2140                                  | #37 Color Return Program Print Cartridge                               |
| 18C2200                                  | #37XLA Color Print Cartridge   |
| 18C2160                                  | #37A Color Print Cartridge   |
| 18C0031                                  | #31 Photo Color Print Cartridge  |
| 18C2236                                  | Twin-Pack #36 Black Return Program Print Cartridge                     |
| 18C2230                                  | Twin-Pack #36XL Black Return Program Print Cartridge                   |
| 18C2229                                  | Twin-Pack #36, #37 Black and Color Return Program Print Cartridges     |
| 18C2249                                  | Twin-Pack #36XL, #37XL Black and Color Return Program Print Cartridges |
| <b>Part # Paper &amp; Transparencies</b> |  |
| 21G0726                                  | Premium Photo Paper (Letter - 15)                                      |
| 21G1740                                  | Premium Photo Paper (Letter - 50)                                      |
| 21G1732                                  | Premium Photo Paper (4"x6" - 20)                                       |
| 21G1734                                  | Premium Photo Paper (4"x6" - 60)                                       |
| 21G1736                                  | Premium Photo Paper (4"x6" - 100)                                      |
| 21G0725                                  | Photo Paper (Letter - 20)  |
| 19Y0087                                  | Photo Paper (Letter - 35)  |
| 21G1730                                  | Photo Paper (Letter - 50)  |
| 19Y0067                                  | Photo Paper (4"x6" - 50)   |
| 21G1738                                  | Photo Paper (4"x6" - 100)  |
| 12A5411                                  | InkJet Letter Transparencies (50)                                      |
| <b>Part # Connectivity</b>               |  |
| 1021294                                  | USB Cable (2-meter)  |



# Lexmark X6675 Professional



Wireless all-in-one with fax

## Print Technology

Thermal InkJet

## Color Technology

4 Color Inkjet - Cyan, Magenta, Yellow, Black, Optional

6-Color Photo Printing

## Scan Technology

CIS with 48 bit depth

## Function

Color Copying, Color Printing, Color Scanning, Faxing

## Maximum Print Speed (Draft, Black)

Up to 25 ppm

## Maximum Print Speed (Draft, Color)

Up to 18 ppm

## Maximum Copy Speed (Draft, Black)

Up to 17 cpm

## Maximum Copy Speed (Draft, Color)

Up to 11 cpm

## Time to First Copy (Color, Draft) as fast as

10 seconds

## Time to First Copy (Black, Draft) as fast as

8 seconds

## Print Resolution, Black

Up to 1200 x 1200 dpi

## Print Resolution, Color

Up to 4800 x 1200 dpi

## Scan Resolution, Enhanced

Up to 19200 x 19200 dpi

## Scan Resolution, Optical

600 x 1200 dpi

## Operating Systems Supported

XP, XP Professional x64, Vista, 2000 5.00.2195 or later,

Vista x64, OS X (10.4.4-10.5.x Intel, PowerPC), OS X

(10.3.9 Power PC)

## Print (ASF) Paper Input Capacity, Maximum

100 pages 20 lb or 75 gsm bond

## ADF Input Paper Sizes

A4, Legal, Letter

## ADF Paper Input Capacity

Up to 25 pages 20 lb or 75 gsm bond

## Media Types Supported

Card Stock, Envelopes, Labels, Plain Paper,

Transparencies, Banner (A4 or Letter), Hagaki Card, Iron-

On Transfers, Photo Paper, Heavy Weight Matte Paper

## Media Sizes Supported

10 Envelope, 7 3/4 Envelope, 9 Envelope, A4, A5, B5

Envelope, C5 Envelope, DL Envelope, 6 3/4 Envelope,

A2 Baronial, A6 Card, B5, C6 Envelope, Custom,

Hagaki Card, Index Card, Executive, Legal, Letter, 4 x

6", Statement, L, 2L, Chokey 3, Chokey 4, Chokey 40,

Kakugata 3, Kakugata 4, Kakugata 5, Kakugata 6, 5 x 7",

13 x 18 cm, 10 x 15 cm

## Borderless Printing Media Sizes

4" x 6", A4, Letter, A6, Hagaki Card, L, 2L, A5, 5" x 7",

Legal, 3.5" x 5" or 89 mm x 127 mm, 10 x 15 cm, 13 x

18 cm, B5, 10 x 20 cm, 4" x 8"

## Standard Ports

USB 2.0 Specification Hi-Speed Certified (Type B), USB

Direct interface on Operator Panel, USB pass-through via

PictBridge Port, 802.11g/b Wireless

## PictBridge Certified USB Port

Yes

## Digital Media Memory Card Compatibility

CompactFlash I & II, Sony Memory Stick, Memory Stick

PRO, Secure Digital (SD) Card, MultiMediaCard (MMC),

Microdrive, Sony Memory Stick Duo (with adapter),

Mini Secure Digital (Mini SD) Card (with adapter),

Sony Memory Stick PRO Duo (with adapter), SanDisk

TransFlash Memory Module (with adapter), RS-MMC (with

adapter), xD Card Type M, Type H, MultiMediaCard (MMC)

Mobile (with adapter), Micro Secure Digital (Micro SD)

Card (with adapter), Secure Digital High Capacity (SDHC)

Card (with adapter)

## Reduce / Enlarge Range

25 - 400 %

## Scan Area, Maximum

8.5 x 14 inches

## Modem Speed

33.6 Kbps

## Packaged Size (in. - H x W x D)

16.575 x 21.457 x 12.44 in.

## Size (in. - H x W x D)

8.1 x 18.3 x 11.6 in.

## Weight (lb.)

16.55 lb.

## Print Noise Level, Operating

48 dBA

## Copy Noise Level, Operating

43 dBA

## Scan Noise Level, Operating

37 dBA

## Product Warranty

Five years. Must register for the additional four years.

## Product Certifications

Energy Star, CSA, c-UL-us, ICES Class B, Executive Order

132221, CE Class B, CB IEC 60950 IEC 60825-1, GS

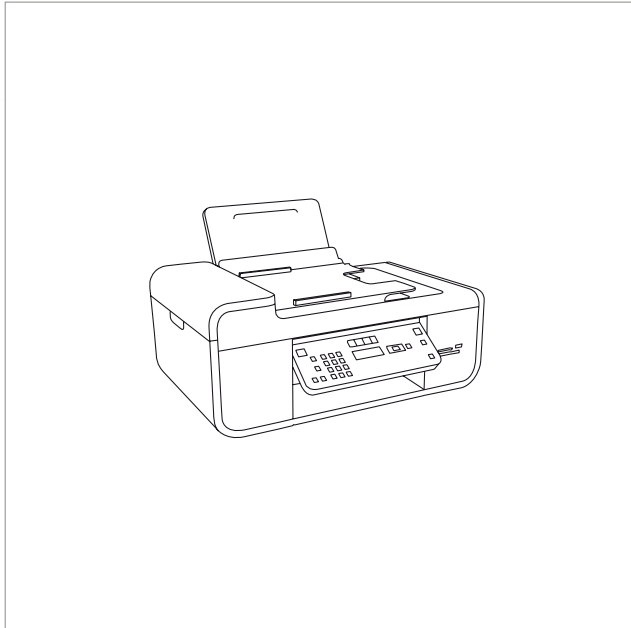
(TÜV), SEMKO, C-tick mark Class B, V85, CCC Class B,

BSMI Class B, METI

## Duty Cycle, Maximum

3000 pages per month





| <b>Part #</b>                            | <b>Model</b>   |
|--|--|
| 20R1700                                  | Lexmark X6675 Professional   |
| <b>Part # Inkjet Ink/Print Cartridge</b> |  |
| 18C2170                                  | #36XL Black Return Program Print Cartridge                             |
| 18C2130                                  | #36 Black Return Program Print Cartridge                               |
| 18C2190                                  | #36LA Black Print Cartridge  |
| 18C2150                                  | #36A Black Print Cartridge   |
| 18C2180                                  | #37XL Color Return Program Print Cartridge                             |
| 18C2140                                  | #37 Color Return Program Print Cartridge                               |
| 18C2200                                  | #37XLA Color Print Cartridge   |
| 18C2160                                  | #37A Color Print Cartridge   |
| 18C0031                                  | #31 Photo Color Print Cartridge  |
| 18C2236                                  | Twin-Pack #36 Black Return Program Print Cartridge                     |
| 18C2230                                  | Twin-Pack #36XL Black Return Program Print Cartridge                   |
| 18C2229                                  | Twin-Pack #36, #37 Black and Color Return Program Print Cartridges     |
| 18C2249                                  | Twin-Pack #36XL, #37XL Black and Color Return Program Print Cartridges |
| <b>Part # Paper &amp; Transparencies</b> |  |
| 21G0726                                  | Premium Photo Paper (Letter - 15)                                      |
| 21G1740                                  | Premium Photo Paper (Letter - 50)                                      |
| 21G1732                                  | Premium Photo Paper (4"x6" - 20)                                       |
| 21G1734                                  | Premium Photo Paper (4"x6" - 60)                                       |
| 21G1736                                  | Premium Photo Paper (4"x6" - 100)                                      |
| 21G0725                                  | Photo Paper (Letter - 20)  |
| 19Y0087                                  | Photo Paper (Letter - 35)  |
| 21G1730                                  | Photo Paper (Letter - 50)  |
| 19Y0067                                  | Photo Paper (4"x6" - 50)   |
| 21G1738                                  | Photo Paper (4"x6" - 100)  |
| 12A5411                                  | InkJet Letter Transparencies (50)                                      |
| <b>Part # Connectivity</b>               |  |
| 1021294                                  | USB Cable (2-meter)  |



# Lexmark X7675 Professional

Increase productivity with wireless, 25-page auto document feeder, two-sided printing and included XL cartridges

### Print Technology

Thermal InkJet

### Color Technology

4 Color Inkjet - Cyan, Magenta, Yellow, Black, Optional

6-Color Photo Printing

### Scan Technology

CIS with 48 bit depth

### Function

Color Copying, Color Printing, Color Scanning, Faxing

### Maximum Print Speed (Draft, Black)

Up to 32 ppm

### Maximum Print Speed (Draft, Color)

Up to 27 ppm

### MS-imum Copy Speed (Draft, Black)

Up to 25 cpm

### MS-imum Copy Speed (Draft, Color)

Up to 21 cpm

### Time to First Copy (Color, Draft) as fast as

11 seconds

### Time to First Copy (Black, Draft) as fast as

8 seconds

### Print Resolution, Black

Up to 1200 x 1200 dpi

### Print Resolution, Color

Up to 4800 x 2400 dpi

### Scan Resolution, Enhanced

Up to 19,200 dpi dpi

### Scan Resolution, Optical

600 x 1200 dpi

### Operating Systems Supported

XP, XP Professional x64, Vista, 2000 5.00.2195 or later,

Vista x64, OS X (10.4.4-10.5.x Intel, PowerPC), OS X

(10.3.9 Power PC)

### Print (ASF) Paper Input Capacity, Maximum

100 pages 20 lb or 75 gsm bond

### ADF Input Paper Sizes

A4, Legal, Letter

### ADF Paper Input Capacity

Up to 25 pages 20 lb or 75 gsm bond

### Media Types Supported

Card Stock, Envelopes, Labels, Plain Paper, Banner (A4

or Letter), Hagaki Card, Iron-On Transfers, Photo Paper,

Heavy Weight Matte Paper

### Media Sizes Supported

10 Envelope, 7 3/4 Envelope, 9 Envelope, A4, A5, B5 Envelope, C5 Envelope, DL Envelope, 6 3/4 Envelope, A2 Baronial, A6 Card, B5, C6 Envelope, Custom, Hagaki Card, Index Card, Executive, Legal, Letter, 4 x 6", Statement, L, 2L, Chokey 3, Chokey 4, Chokey 40, Kakugata 3, Kakugata 4, Kakugata 5, Kakugata 6, 5 x 7", 13 x 18 cm, 10 x 15 cm, 10 x 20 cm, 4 x 8"

### Borderless Printing Media Sizes

4" x 6", A4, Letter, A6, Hagaki Card, L, 2L, A5, 5" x 7", Legal, 3.5" x 5" or 89 mm x 127 mm, 10 x 15 cm, 13 x 18 cm, B5

### Standard Ports

Ethernet 10/100BaseTX (RJ-45), USB 2.0 Specification

Hi-Speed Certified (Type B), PictBridge Certified Port, USB

pass-through via PictBridge Port, 802.11g/b Wireless

### PictBridge Certified USB Port

Yes

### Digital Media Memory Card Compatibility

CompactFlash I & II, Sony Memory Stick, Memory

Stick PRO, Secure Digital (SD) Card, MultiMediaCard

(MMC), Microdrive, xD Card, Sony Memory Stick Duo

(with adapter), Mini Secure Digital (Mini SD) Card (with

adapter), Sony Memory Stick PRO Duo (with adapter),

SanDisk TransFlash Memory Module (with adapter),

RS-MMC (with adapter), xD Card Type M, Type H,

MultiMediaCard (MMC) Mobile (with adapter), Micro

Secure Digital (Micro SD) Card (with adapter), Secure

Digital High Capacity (SDHC) Card (with adapter)

### Reduce / Enlarge Range

25 - 400 %

### Scan Area, Maximum

8.5 x 14 inches

### Modem Speed

33.6 Kbps

### Packaged Size (in. - H x W x D)

18.4 x 22.3 x 11.65 in.

### Size (in. - H x W x D)

8.15 x 18.8 x 14.1 in.

### Weight (lb.)

18.8 lb.

### Print Noise Level, Operating

47 dBA

### Copy Noise Level, Operating

40 dBA

### Scan Noise Level, Operating

34 dBA

### Product Warranty

Five years. Must register for the additional four years.

### Product Certifications

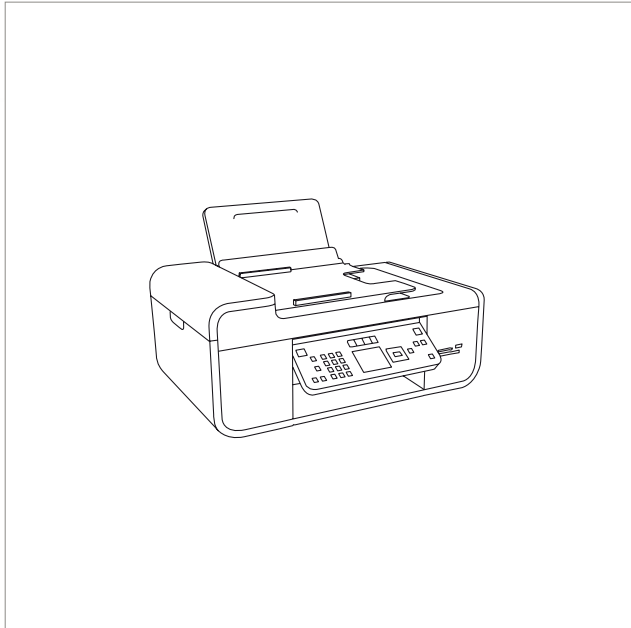
Energy Star, FCC Class B, UL 60950 3rd Edition, CE Class

B, CB IEC 60950 IEC 60825-1, C-tick mark Class B, CCC

Class B, CSA, ICES Class B, GS (TÜV), SEMKO

### Duty Cycle, Maximum

5000 pages per month



| <b>Part #</b> | <b>Model</b>  |
|---------------|---|
| 12V0300       | Lexmark X7675 Professional                              |
| <b>Part #</b> | <b>Inkjet Ink/Print Cartridge</b>                       |
| 18Y0144       | #44XL Black Print Cartridge                             |
| 18Y0143       | #43XL Color Print Cartridge                             |
| 18Y0142       | #42 Black Return Program Print Cartridge                |
| 18Y0141       | #41 Color Return Program Print Cartridge                |
| 18Y0340       | #40 Photo Print Cartridge                               |
| 18Y0342       | #42A Black Print Cartridge                              |
| 18Y0341       | #41A Color Print Cartridge                              |
| 18Y0372       | Twin-Pack #44XL, #43XL Black and Color Print Cartridges |
| <b>Part #</b> | <b>Paper &amp; Transparencies</b>                       |
| 19Y0170       | PerfectFinish™ Photo Paper (Letter - 50)                |
| 19Y0165       | PerfectFinish™ Photo Paper, 10x15 cm, 4x6" (50)         |
| 19Y0175       | PerfectFinish™ Photo Paper, 4x6" (100)                  |
| <b>Part #</b> | <b>Connectivity</b>                                     |
| 1021294       | USB Cable (2-meter)                                     |

# Lexmark X9575 Professional



All-in-one with fax offers the freedom and flexibility of wireless with fast print speeds and two-sided printing

## Print Technology

Thermal Inkjet

## Color Technology

4 Color Inkjet - Cyan, Magenta, Yellow, Black, Optional

6-Color Photo Printing

## Scan Technology

CIS / CCD with 48 bit depth

## Function

Color Copying, Color Printing, Color Scanning, Faxing

## Maximum Print Speed (Draft, Black)

Up to 33 ppm

## Maximum Print Speed (Draft, Color)

Up to 28 ppm

## Maximum Copy Speed (Draft, Black)

Up to 27 cpm

## Maximum Copy Speed (Draft, Color)

Up to 26 cpm

## Time to First Copy (Color, Draft) as fast as

17 seconds

## Time to First Copy (Black, Draft) as fast as

15 seconds

## Print Resolution, Black

Up to 1200 x 1200 dpi

## Print Resolution, Color

Up to 4800 x 2400 dpi

## Scan Resolution, Enhanced

Up to 19,200 dpi dpi

## Scan Resolution, Optical

1200 x 4800 dpi

## Operating Systems Supported

XP, XP Professional x64, Vista, 2000 5.00.2195 or later,

Vista x64, OS X (10.4.4-10.5.x Intel, PowerPC), OS X

(10.3.9 Power PC)

## Print (ASF) Paper Input Capacity, Maximum

150 pages 20 lb or 75 gsm bond

## ADF Input Paper Sizes

A4, Legal, Letter

## ADF Paper Input Capacity

Up to 50 pages 20 lb or 75 gsm bond

## Media Types Supported

Card Stock, Envelopes, Labels, Plain Paper,

Transparencies, Banner (A4 or Letter), Hagaki Card, Iron-

On Transfers, Photo Paper, Heavy Weight Matte Paper

## Media Sizes Supported

10 Envelope, 7 3/4 Envelope, 9 Envelope, A4, A5, B5

Envelope, C5 Envelope, DL Envelope, 6 3/4 Envelope,

A2 Baronial, A6 Card, B5, C6 Envelope, Custom,

Hagaki Card, Index Card, Executive, Legal, Letter, 4 x

6", Statement, L, 2L, Chokey 3, Chokey 4, Chokey 40,

Kakugata 3, Kakugata 4, Kakugata 5, Kakugata 6, 5 x 7",

13 x 18 cm, 10 x 15 cm, 10 x 20 cm, 4 x 8"

## Borderless Printing Media Sizes

4" x 6", A4, Letter, A6, Hagaki Card, L, 2L, A5, 5" x 7",

Legal, 3.5" x 5" or 89 mm x 127 mm, 10 x 15 cm, 13 x

18 cm, B5, 10 x 20 cm, 4" x 8"

## Standard Ports

Ethernet 10/100BaseTX (RJ-45), USB 2.0 Specification

Hi-Speed Certified (Type B), PictBridge Certified Port,

USB Port (Type A) compatible with USB 2.0 Specification,

802.11g/b Wireless

## Optional Network Ports

External MarkNet™ N7020e Gigabit Ethernet

## PictBridge Certified USB Port

Yes

## Digital Media Memory Card Compatibility

CompactFlash I & II, Sony Memory Stick, Memory

Stick PRO, Secure Digital (SD) Card, MultiMediaCard

(MMC), Microdrive, xD Card, Sony Memory Stick Duo

(with adapter), Mini Secure Digital (Mini SD) Card (with

adapter), Sony Memory Stick PRO Duo (with adapter),

Sandisk TransFlash Memory Module (with adapter),

RS-MMC (with adapter), xD Card Type M, Type H,

MultiMediaCard (MMC) Mobile (with adapter), Micro

Secure Digital (Micro SD) Card (with adapter), Secure

Digital High Capacity (SDHC) Card (with adapter)

## Reduce / Enlarge Range

25 - 400 %

## Scan Area, Maximum

8.5 x 14 inches

## Modem Speed

33.6 Kbps

## Packaged Size (in. - H x W x D)

18.5 x 22.0 x 14.7 in.

## Size (in. - H x W x D)

10.6 x 18.3 x 15.1 in.

## Weight (lb.)

22.7 lb.

## Print Noise Level, Operating

51 dBA

## Copy Noise Level, Operating

41 dBA

## Scan Noise Level, Operating

41 dBA

## Product Warranty

1-Year Exchange (Next Business Day)

## Product Certifications

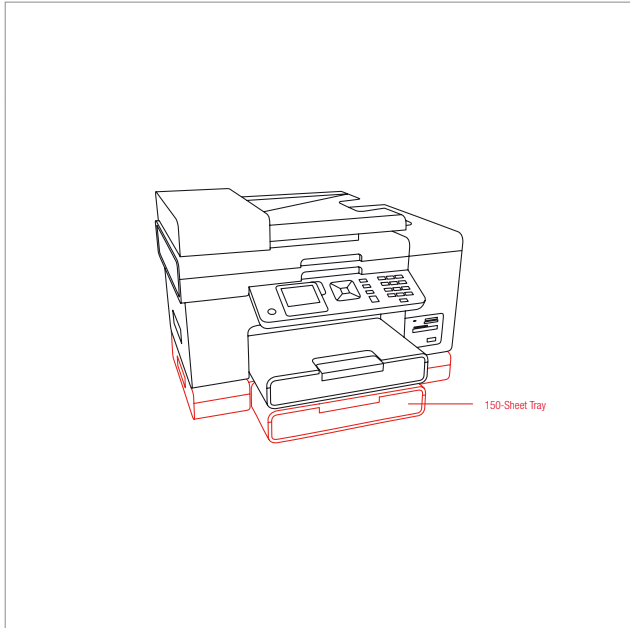
Energy Star, FCC Class B, UL 60950 3rd Edition, CE Class

B, CB IEC 60950 IEC 60825-1, C-tick mark Class B, CCC

Class B, CSA, ICES Class B, GS (TUV), SEMKO

## Duty Cycle, Maximum

7500 pages per month



■ Paper Handling Optional

| <b>Part #</b> | <b>Model</b>  |
|---------------|---|
| 14V1000       | Lexmark X9575 Professional                              |
| <b>Part #</b> | <b>Inkjet Ink/Print Cartridge</b>                       |
| 18Y0340       | #40 Photo Print Cartridge                               |
| 18Y0141       | #41 Color Return Program Print Cartridge                |
| 18Y0142       | #42 Black Return Program Print Cartridge                |
| 18Y0341       | #41A Color Print Cartridge                              |
| 18Y0342       | #42A Black Print Cartridge                              |
| 18Y0143       | #43XL Color Print Cartridge                             |
| 18Y0144       | #44XL Black Print Cartridge                             |
| 18Y0372       | Twin-Pack #44XL, #43XL Black and Color Print Cartridges |
| <b>Part #</b> | <b>Paper &amp; Transparencies</b>                       |
| 19Y0170       | PerfectFinish™ Photo Paper (Letter - 50)                |
| 19Y0165       | PerfectFinish™ Photo Paper, 10x15 cm, 4x6" (50)         |
| 19Y0175       | PerfectFinish™ Photo Paper, 4x6" (100)                  |
| <b>Part #</b> | <b>Paper Handling</b>                                   |
| 30B0199       | 150-Sheet Paper Tray                                    |
| <b>Part #</b> | <b>Connectivity</b>                                     |
| 1021294       | USB Cable (2-meter)                                     |
| <b>Part #</b> | <b>Extended Warranties</b>                              |
| 2349803       | 1-Year Exchange, Next Business Day                      |
| 2349804       | 2-Year Exchange, Next Business Day                      |



# Lexmark X204n

Compact, professional 4-in-1 monochrome laser MFP for the desktop

## Print Technology

Monochrome Laser

## Function

Copying, Faxing, Network Scanning, Printing

## Print Speed (Letter, Black)

Up to 24 ppm

## Time to First Page (Black)

As fast as 9 seconds

## Copy Speed (Letter, Black)

Up to 24 cpm

## Time to First Copy (Black)

As fast as <11.5 seconds

## Print Resolution, Black

1200 Image Quality, 1200 x 1200 dpi, 2400 Image

Quality, 600 x 600 dpi

## Scanning Resolution

600 X 600 dpi (black)

## Processor

266 MHz

## Memory, Standard

64 MB

## Memory, Maximum

64 MB

## Expandable Memory Options

No

## Apple Macintosh Operating Systems Supported

Mac OS X (10.2 or later), Mac OS 9.2

## Citrix MetaFrame

Microsoft Windows 2000 Server running Terminal Services with Citrix Presentation Server 3.0, 4.0, Microsoft Windows Server 2003 running Terminal Services with Citrix Presentation Server 3.0, 4.0, 4.5, Microsoft Windows Server 2003 x64 running Terminal Services with Citrix Presentation Server 4.0 x64, 4.5 x64

## Linux Operating Systems Supported

Linpus Linux Desktop 9.2, 9.3, Red Hat Enterprise Linux WS 3.0, 4.0, 5.0, SUSE Linux Enterprise Server 8.0, 9.0, 10.0, SUSE Linux Enterprise Desktop 10, openSUSE 10.2, 10.3, 11.0, Linspire Linux 6.0, Debian GNU/Linux 4.0, Red Flag Linux Desktop 5.0, 6.0, Ubuntu 7.10, Ubuntu 8.04 LTS

## Microsoft Windows Operating Systems Supported

2000, XP, Server 2003, XP x64, Server 2003 running Terminal Services, 2000 Server running Terminal Services, Server 2003 x64, Server 2003 x64 running Terminal Services, Vista, Vista x64, Server 2008, Server 2008 x64, Server 2008 running Terminal Services, Server 2008 x64 running Terminal Services

## Novell Operating Systems Supported

Open Enterprise Server for Netware with NDS, iPrint or Novell Distributed Print Services (NDPS), NetWare 5.x, 6.x with iPrint or Novell Distributed Print Services (NDPS)

## UNIX Operating Systems Supported

Sun Solaris SPARC 8, 9, 10, Sun Solaris x86 10, HP-UX 11.11, 11.23, 11.31, IBM AIX 5.2, 5.3, 6.1

## Paper Handling Standard

150-Sheet Output Bin, Single Sheet Exit, Single Sheet

Manual Feed, 250-Sheet Input Tray

## Paper Input Capacity, Standard: Up to

250+1 pages 20 lb or 75 gsm bond

## Paper Input Capacity, Maximum: Up to

250+1 pages 20 lb or 75 gsm bond

## Paper Output Capacity, Standard: Up to

150 pages 20 lb or 75 gsm bond

## Paper Output Capacity, Maximum: Up to

150 pages 20 lb or 75 gsm bond

## ADF Paper Input Capacity

Up to 30 pages 20 lb or 75 gsm bond

## Finishing Option

No

## Number of Paper Inputs, Standard

2

## Number of Paper Inputs, Maximum

2

## Media Types Supported

Card Stock, Envelopes, Paper Labels, Plain Paper, Transparencies, Refer to the Card Stock & Label Guide

## Media Sizes Supported

10 Envelope, 7 3/4 Envelope, 9 Envelope, A4, A5, B5 Envelope, C5 Envelope, DL Envelope, Executive, Folio, JIS-B5, Legal, Letter, Statement, Office

## Standard Ports

Ethernet 10/100BaseTX (RJ-45), USB 2.0 Specification

Hi-Speed Certified (Type B)

## Optional Network Ports

Lexmark N4050e 802.11g Wireless Print Server (Print Only), External MarkNet™ N7020e Gigabit Ethernet, External MarkNet™ N7000e Fast Ethernet (USB)

## Network Printing Methods

LPR/LPD, Direct IP (Port 9100), HTTP, Enhanced IP (Port 9400), FTP, TFTP, IPP 1.1 (Internet Printing Protocol)

## Network Protocol Support

TCP/IP IPv4, TCP/IP IPv6, TCP, UDP

## Printable Area

0.158 inches of the top, bottom, right and left edges (within)

## Printer Languages (Standard)

PCL 5e Emulation, PCL 6 Emulation, PostScript 3 Emulation

## Reduce / Enlarge Range

25 - 400 %

## Scan Area, Maximum

8.5 x 14 inches

## Modem Speed

33.6 Kbps

## Supplies Yield

2,500\*-page Toner Cartridge, \*Average standard page yield value declared in accordance with ISO/IEC 19752.

## Cartridge(s) Shipping with Product

1,500\*-page starter Return Program Toner Cartridge

## Packaged Size (in. - H x W x D)

20.91 x 18.58 x 17.01 in.

## Size (in. - H x W x D)

15.1 x 15.8 x 14.0 in.

## Weight (lb.)

32.2 lb.

## Noise Level, Idle

24 dBA

## Print Noise Level, Operating

50 dBA

## Copy Noise Level, Operating

50 dBA

## Scan Noise Level, Operating

50 dBA

## Product Warranty

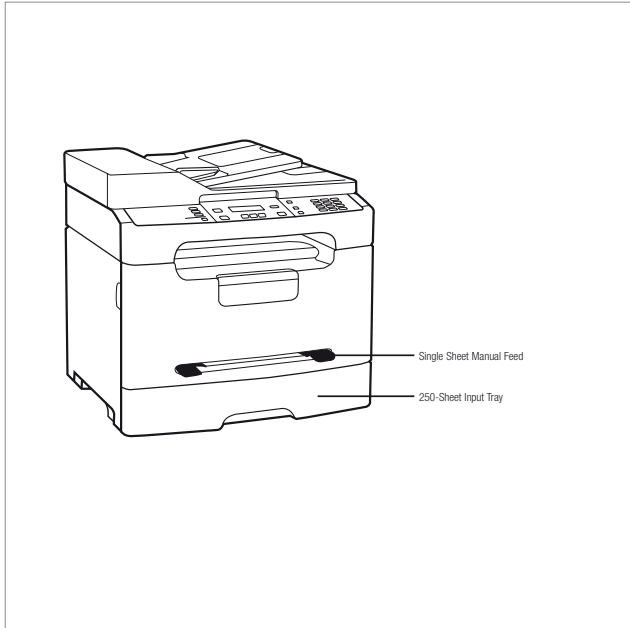
1-Year Exchange, Next Business Day

## Maximum Monthly Duty Cycle

Up to 10000 pages per month

## Recommended Monthly Page Volume

250 - 1100 pages



■ Paper Handling Standard

| <b>Part #</b> | <b>Model</b>                                       |
|---------------|--|
| 52G0027       | Lexmark X204n                                      |
| <b>Part #</b> | <b>Laser Toner/Print Cartridge</b>                 |
| X203A11G      | X204 Return Program Toner Cartridge                |
| X203A21G      | X204 Toner Cartridge                               |
| X203H22G      | X204 Photoconductor Kit                            |
| <b>Part #</b> | <b>Paper &amp; Transparencies</b>                  |
| 70X7240       | Laser Printer Transparencies (Letter)              |
| <b>Part #</b> | <b>Connectivity</b>                                |
| 1021294       | USB Cable (2-meter)                                |
| 14T0145       | Lexmark N4050e 802.11g Wireless Print Server       |
| 14T0220       | MarkNet™ N7020e Gigabit Ethernet Print Server      |
| 14T0230       | MarkNet™ N7000e Fast Ethernet Print Server - USB   |
| <b>Part #</b> | <b>Extended Warranties</b>                         |
| 2351456       | 2-Years Total Exchange Service, Next Business Day  |
| 2351457       | 3-Years Total Exchange Service, Next Business Day  |
| 2351458       | 4-Years Total Exchange Service, Next Business Day  |
| 2351460       | 1-Year Exchange Service Renewal, Next Business Day |
| 2351465       | Upgrade to Onsite Service, Next Business Day       |
| 2351466       | 2-Years Total Onsite Service, Next Business Day    |
| 2351467       | 3-Years Total Onsite Service, Next Business Day    |
| 2351468       | 4-Years Total Onsite Service, Next Business Day    |
| 2351470       | 1-Year Onsite Service Renewal, Next Business Day   |



# Lexmark X264dn

Compact 4-in-1 monochrome MFP with duplex printing, great for small workgroups

## Print Technology

Monochrome Laser

### Function

Color Scanning, Copying, Faxing, Printing

### Print Speed (Letter, Black)

Up to 30 ppm

### Print Speed (Letter, Black) Duplex

Up to 15 spm

### Time to First Page (Black)

As fast as 7.5 seconds

### Copy Speed (Letter, Black)

Up to 30 cpm

### Time to First Copy (Black)

As fast as 15 seconds

### Print Resolution, Black

1200 Image Quality, 1200 x 1200 dpi, 2400 Image

Quality, 600 x 600 dpi

### Scanning Resolution

600 X 600 dpi (black)

### Processor

266 MHz

### Memory, Standard

64 MB

### Memory, Maximum

64 MB

### Expandable Memory Options

No

### Apple Macintosh Operating Systems Supported

Mac OS X (10.2 or later), Mac OS 9.2

### Citrix MetaFrame

Microsoft Windows 2000 Server running Terminal

Services with Citrix Presentation Server 3.0, 4.0,

Microsoft Windows Server 2003 running Terminal

Services with Citrix Presentation Server 3.0, 4.0, 4.5,

Microsoft Windows Server 2003 x64 running Terminal

Services with Citrix Presentation Server 4.0 x64, 4.5 x64

### Linux Operating Systems Supported

Linpus Linux Desktop 9.2, 9.3, Red Hat Enterprise Linux

WS 3.0, 4.0, 5.0, SUSE Linux Enterprise Server 8.0,

9.0, 10.0, SUSE Linux Enterprise Desktop 10, openSUSE

10.2, 10.3, 11.0, Linspire Linux 6.0, Debian GNU/Linux

4.0, Red Flag Linux Desktop 5.0, 6.0, Ubuntu 7.10,

Ubuntu 8.04 LTS

### Microsoft Windows Operating Systems Supported

2000, XP, Server 2003, XP x64, Server 2003 running

Terminal Services, 2000 Server running Terminal

Services, Server 2003 x64, Server 2003 x64 running

Terminal Services, Vista, Vista x64, Server 2008, Server

2008 x64, Server 2008 running Terminal Services, Server

2008 x64 running Terminal Services

### Novell Operating Systems Supported

Open Enterprise Server for Netware with NDS, iPrint or

Novell Distributed Print Services (NDPS), NetWare 5.x, 6.x

with iPrint or Novell Distributed Print Services (NDPS)

### UNIX Operating Systems Supported

Sun Solaris SPARC 8, 9, 10, Sun Solaris x86 10, HP-UX

11.11, 11.23, 11.31, IBM AIX 5.2, 5.3, 6.1

## Paper Handling Standard

150-Sheet Output Bin, Integrated Duplex, Single Sheet

Exit, Single Sheet Manual Feed, 250-Sheet Input Tray

### Paper Handling Optional

550-Sheet Drawer, Only one drawer may be installed at a

time, 250-Sheet Drawer

### Paper Input Capacity, Standard: Up to

250+1 pages 20 lb or 75 gsm bond

### Paper Input Capacity, Maximum: Up to

800+1 pages 20 lb or 75 gsm bond

### Paper Output Capacity, Standard: Up to

150 pages 20 lb or 75 gsm bond

### Paper Output Capacity, Maximum: Up to

150 pages 20 lb or 75 gsm bond

### ADF Paper Input Capacity

Up to 50 pages 20 lb or 75 gsm bond

### Finishing Option

No

### Number of Paper Inputs, Standard

2

### Number of Paper Inputs, Maximum

3

### Media Types Supported

Card Stock, Envelopes, Paper Labels, Plain Paper,

Transparencies, Refer to the Card Stock & Label Guide

### Media Sizes Supported

10 Envelope, 7 3/4 Envelope, 9 Envelope, A4, A5, B5

Envelope, C5 Envelope, DL Envelope, A6 Card, Executive,

Folio, JIS-B5, Legal, Letter, Statement, Universal, Oficio

## Standard Ports

Ethernet 10/100BaseTX (RJ-45), USB 2.0 Specification

Hi-Speed Certified (Type B)

### Optional Network Ports

Lexmark N4050e 802.11g Wireless Print Server (Print

Only), External MarkNet™ N7020e Gigabit Ethernet,

External MarkNet™ N7000e Fast Ethernet (USB)

### Network Printing Methods

LPR/LPD, Direct IP (Port 9100), HTTP, Enhanced IP (Port

9400), FTP, TFTP, IPP 1.1 (Internet Printing Protocol)

### Network Protocol Support

TCP/IP IPv4, TCP/IP IPv6, TCP, UDP

### Printable Area

0.158 inches of the top, bottom, right and left edges

(within)

### Printer Languages (Standard)

PCL 5e Emulation, PCL 6 Emulation, Personal Printer

Data Stream (PPDS), PostScript 3 Emulation

### Reduce / Enlarge Range

25 - 400 %

### Scan Area, Maximum

8.5 x 14 inches

### Modem Speed

33.6 Kbps

## Supplies Yield

\*Average standard page yield value declared in

accordance with ISO/IEC 19752., 9,000\*-page High Yield

Toner Cartridge, 3,500\*-page Toner Cartridge

### Cartridge(s) Shipping with Product

1,500\*-page starter Return Program Toner Cartridge

### Packaged Size (in. - H x W x D)

22.44 x 20 x 18.62 in.

### Size (in. - H x W x D)

17.3 x 16.8 x 16.0 in.

### Weight (lb.)

43 lb.

### Noise Level, Idle

27 dBA

### Print Noise Level, Operating

54 dBA

### Copy Noise Level, Operating

<54 dBA

### Scan Noise Level, Operating

<51 dBA

### Product Warranty

1-Year Onsite Service, Next Business Day

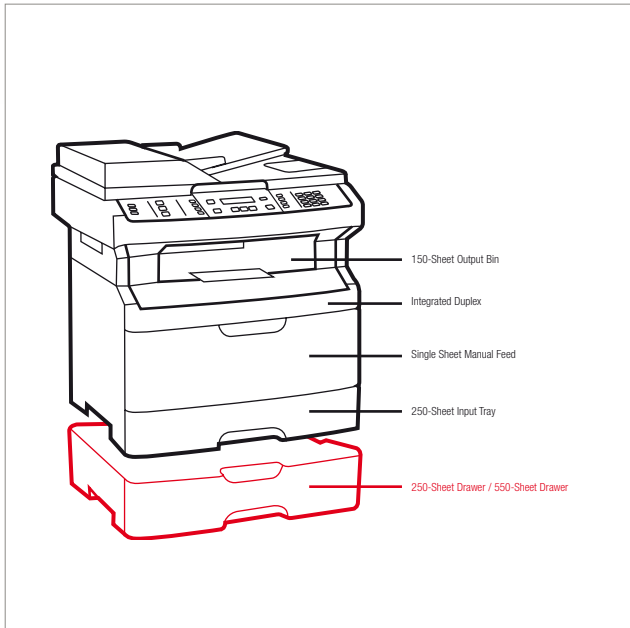
### Maximum Monthly Duty Cycle

Up to 50,000 pages per month

### Recommended Monthly Page Volume

250 - 4,500 pages





Paper Handling Standard  
 Paper Handling Optional

| Part #  | Model          |
|---------|----------------|
| 13B0500 | Lexmark X264dn |

| Part #   | Laser Toner/Print Cartridge                                |
|----------|--|
| X264H11G | X264, X363, X364 High Yield Return Program Toner Cartridge |
| X264A11G | X264, X363, X364 Return Program Toner Cartridge            |
| X264H21G | X264, X363, X364 High Yield Toner Cartridge                |
| X264A21G | X264, X363, X364 Toner Cartridge                           |
| E260X22G | E260, E360, E460, X264, X36x, X46x Photoconductor Kit      |

| Part #  | Paper & Transparencies                |
|---------|---------------------------------------|
| 70X7240 | Laser Printer Transparencies (Letter) |

| Part #  | Paper Handling   |
|---------|------------------|
| 34S0550 | 550-Sheet Drawer |
| 34S0250 | 250-Sheet Drawer |

| Part #  | Memory Options  |
|---------|-----------------|
| 1021209 | 64MB Flash Card |

| Part #  | Connectivity                                     |
|---------|--|
| 1021294 | USB Cable (2-meter)                              |
| 14T0145 | Lexmark N4050e 802.11g Wireless Print Server     |
| 14T0220 | MarkNet™ N7020e Gigabit Ethernet Print Server    |
| 14T0230 | MarkNet™ N7000e Fast Ethernet Print Server - USB |

| Part #  | Extended Warranties                              |
|---------|--|
| 2350932 | 2-Years Total Onsite Service, Next Business Day  |
| 2350933 | 3-Years Total Onsite Service, Next Business Day  |
| 2350936 | 1-Year Onsite Service Renewal, Next Business Day |

| Part #  | User Replaceable Parts |
|---------|------------------------|
| 40X5535 | ADF Flatbed Cushion    |
| 40X5472 | ADF Separator Pad      |
| 40X5471 | ADF Separator Roll     |



# Lexmark X363dn

3-in-1 network-ready multifunction laser  
with advanced features designed for small  
workgroups

## Print Technology

Monochrome Laser

### Function

Color Scanning, Copying, Printing

### Print Speed (Letter, Black)

Up to 35 ppm

### Print Speed (Letter, Black) Duplex

Up to 18 spm

### Time to First Page (Black)

As fast as 7 seconds

### Copy Speed (Letter, Black)

Up to 35 cpm

### Time to First Copy (Black)

As fast as 8.5 seconds

### Print Resolution, Black

1200 Image Quality, 1200 x 1200 dpi, 2400 Image

Quality, 600 x 600 dpi

### Scanning Resolution

600 X 600 dpi (black)

### Processor

266 MHz

### Memory, Standard

128 MB

### Memory, Maximum

128 MB

### Expandable Memory Options

No

### Apple Macintosh Operating Systems Supported

Mac OS X (10.2 or later), Mac OS 9.2

### Citrix MetaFrame

Microsoft Windows 2000 Server running Terminal

Services with Citrix Presentation Server 3.0, 4.0,

Microsoft Windows Server 2003 running Terminal

Services with Citrix Presentation Server 3.0, 4.0, 4.5,

Microsoft Windows Server 2003 x64 running Terminal

Services with Citrix Presentation Server 4.0 x64, 4.5 x64

### Linux Operating Systems Supported

Linpus Linux Desktop 9.2, 9.3, Red Hat Enterprise Linux

WS 3.0, 4.0, 5.0, SUSE Linux Enterprise Server 8.0,

9.0, 10.0, SUSE Linux Enterprise Desktop 10, openSUSE

10.2, 10.3, 11.0, Linspire Linux 6.0, Debian GNU/Linux

4.0, Red Flag Linux Desktop 5.0, 6.0, Ubuntu 7.10,

Ubuntu 8.04 LTS

### Microsoft Windows Operating Systems Supported

2000, XP, Server 2003, XP x64, Server 2003 running

Terminal Services, 2000 Server running Terminal

Services, Server 2003 x64, Server 2003 x64 running

Terminal Services, Vista, Vista x64, Server 2008, Server

2008 x64, Server 2008 running Terminal Services, Server

2008 x64 running Terminal Services

### Novell Operating Systems Supported

Open Enterprise Server for Netware with NDS, iPrint or

Novell Distributed Print Services (NDPS), NetWare 5.x, 6.x

with iPrint or Novell Distributed Print Services (NDPS)

### UNIX Operating Systems Supported

Sun Solaris SPARC 8, 9, 10, Sun Solaris x86 10, HP-UX

11.11, 11.23, 11.31, IBM AIX 5.2, 5.3, 6.1

## Paper Handling Standard

150-Sheet Output Bin, Integrated Duplex, Single Sheet

Exit, 250-Sheet Input Tray, 50-Sheet Multipurpose Feeder

## Paper Handling Optional

550-Sheet Drawer, Only one drawer may be installed at a

time, 250-Sheet Drawer

## Paper Input Capacity, Standard: Up to

300 pages 20 lb or 75 gsm bond

## Paper Input Capacity, Maximum: Up to

850 pages 20 lb or 75 gsm bond

## Paper Output Capacity, Standard: Up to

150 pages 20 lb or 75 gsm bond

## Paper Output Capacity, Maximum: Up to

150 pages 20 lb or 75 gsm bond

## ADF Paper Input Capacity

Up to 50 pages 20 lb or 75 gsm bond

## Finishing Option

No

## Number of Paper Inputs, Standard

2

## Number of Paper Inputs, Maximum

3

## Media Types Supported

Card Stock, Envelopes, Paper Labels, Plain Paper,

Transparencies, Refer to the Card Stock & Label Guide

## Media Sizes Supported

10 Envelope, 7 3/4 Envelope, 9 Envelope, A4, A5, B5

Envelope, C5 Envelope, DL Envelope, A6 Card, Executive,

Folio, JIS-B5, Legal, Letter, Statement, Universal, Oficio

## Standard Ports

Ethernet 10/100BaseTX (RJ-45), USB 2.0 Specification

Hi-Speed Certified (Type B), Front USB Port Compatible

with USB 2.0 Specification (Type A)

## Optional Network Ports

Lexmark N4050e 802.11g Wireless Print Server (Print

Only), External MarkNet™ N7020e Gigabit Ethernet,

External MarkNet™ N7000e Fast Ethernet (USB)

## Network Printing Methods

LPR/LPD, Direct IP (Port 9100), HTTP, Enhanced IP (Port

9400), FTP, TFTP, IPP 1.1 (Internet Printing Protocol)

## Network Protocol Support

TCP/IP IPv4, AppleTalk™, TCP/IP IPv6, TCP, UDP

## Printable Area

0.158 inches of the top, bottom, right and left edges

(within)

## Printer Languages (Standard)

PCL 5e Emulation, PCL 6 Emulation, Personal Printer

Data Stream (PPDS), PostScript 3 Emulation, PDF 1.6,

Direct Image

## Reduce / Enlarge Range

25 - 400 %

## Scan Area, Maximum

8.5 x 14 inches

## Supplies Yield

\*Average standard page yield value declared in

accordance with ISO/IEC 19752., 9,000\*-page High Yield

Toner Cartridge, 3,500\*-page Toner Cartridge

## Cartridge(s) Shipping with Product

3,000\*-page starter Return Program Toner Cartridge

## Packaged Size (in. - H x W x D)

22.44 x 20 x 18.62 in.

## Size (in. - H x W x D)

18.5 x 16.8 x 16.0 in.

## Weight (lb.)

44 lb.

## Noise Level, Idle

27 dBA

## Print Noise Level, Operating

54 dBA

## Copy Noise Level, Operating

<54 dBA

## Scan Noise Level, Operating

<51 dBA

## Product Warranty

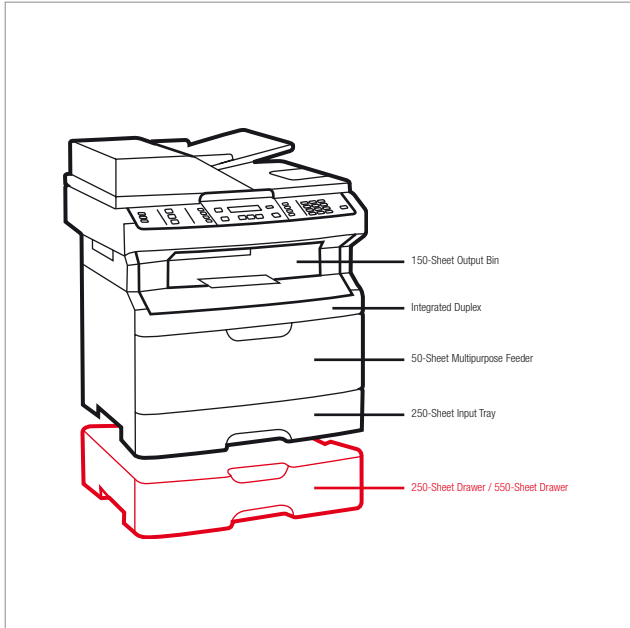
1-Year Onsite Service, Next Business Day

## Maximum Monthly Duty Cycle

Up to 80,000 pages per month

## Recommended Monthly Page Volume

750 - 5,000 pages



Paper Handling Standard  
 Paper Handling Optional

|               |  |
|---------------|--|
| <b>Part #</b> | <b>Model</b>   |
| 13B0501       | Lexmark X363dn   |
| <b>Part #</b> | <b>Laser Toner/Print Cartridge</b>                         |
| X264H11G      | X264, X363, X364 High Yield Return Program Toner Cartridge |
| X264A11G      | X264, X363, X364 Return Program Toner Cartridge            |
| X264H21G      | X264, X363, X364 High Yield Toner Cartridge                |
| X264A21G      | X264, X363, X364 Toner Cartridge                           |
| E260X22G      | E260, E360, E460, X264, X36x, X46x Photoconductor Kit      |
| <b>Part #</b> | <b>Paper &amp; Transparencies</b>                          |
| 70X7240       | Laser Printer Transparencies (Letter)                      |
| <b>Part #</b> | <b>Paper Handling</b>                                      |
| 34S0550       | 550-Sheet Drawer   |
| 34S0250       | 250-Sheet Drawer   |
| <b>Part #</b> | <b>Memory Options</b>                                      |
| 1021209       | 64MB Flash Card  |
| <b>Part #</b> | <b>Connectivity</b>  |
| 1021294       | USB Cable (2-meter)  |
| 14T0145       | Lexmark N4050e 802.11g Wireless Print Server               |
| 14T0220       | MarkNet™ N7020e Gigabit Ethernet Print Server              |
| 14T0230       | MarkNet™ N7000e Fast Ethernet Print Server - USB           |
| <b>Part #</b> | <b>Extended Warranties</b>                                 |
| 2350974       | 2-Years Total Onsite Service, Next Business Day            |
| 2350975       | 3-Years Total Onsite Service, Next Business Day            |
| 2350978       | 1-Year Onsite Service Renewal, Next Business Day           |
| <b>Part #</b> | <b>User Replaceable Parts</b>                              |
| 40X5535       | ADF Flatbed Cushion  |
| 40X5472       | ADF Separator Pad  |
| 40X5471       | ADF Separator Roll   |



# Lexmark X364dn

Network-ready 4-in-1 multifunction laser  
with advanced features for small workgroups

## Print Technology

Monochrome Laser

### Function

Color Scanning, Copying, Faxing, Printing

### Print Speed (Letter, Black)

Up to 35 ppm

### Print Speed (Letter, Black) Duplex

Up to 18 spm

### Time to First Page (Black)

As fast as 7 seconds

### Copy Speed (Letter, Black)

Up to 35 ppm

### Time to First Copy (Black)

As fast as 8 seconds

### Print Resolution, Black

1200 Image Quality, 1200 x 1200 dpi, 2400 Image

Quality, 600 x 600 dpi

### Scanning Resolution

600 X 600 dpi (black)

### Processor

266 MHz

### Memory, Standard

128 MB

### Memory, Maximum

128 MB

### Expandable Memory Options

No

### Apple Macintosh Operating Systems Supported

Mac OS X (10.2 or later), Mac OS 9.2

### Citrix MetaFrame

Microsoft Windows 2000 Server running Terminal

Services with Citrix Presentation Server 3.0, 4.0,

Microsoft Windows Server 2003 running Terminal

Services with Citrix Presentation Server 3.0, 4.0, 4.5,

Microsoft Windows Server 2003 x64 running Terminal

Services with Citrix Presentation Server 4.0 x64, 4.5 x64

### Linux Operating Systems Supported

Linpus Linux Desktop 9.2, 9.3, Red Hat Enterprise Linux

WS 3.0, 4.0, 5.0, SUSE Linux Enterprise Server 8.0,

9.0, 10.0, SUSE Linux Enterprise Desktop 10, openSUSE

10.2, 10.3, 11.0, Linspire Linux 6.0, Debian GNU/Linux

4.0, Red Flag Linux Desktop 5.0, 6.0, Ubuntu 7.10,

Ubuntu 8.04 LTS

### Microsoft Windows Operating Systems Supported

2000, XP, Server 2003, XP x64, Server 2003 running

Terminal Services, 2000 Server running Terminal

Services, Server 2003 x64, Server 2003 x64 running

Terminal Services, Vista, Vista x64, Server 2008, Server

2008 x64, Server 2008 running Terminal Services, Server

2008 x64 running Terminal Services

### Novell Operating Systems Supported

Open Enterprise Server for Netware with NDS, iPrint or

Novell Distributed Print Services (NDPS), NetWare 5.x, 6.x

with iPrint or Novell Distributed Print Services (NDPS)

### UNIX Operating Systems Supported

Sun Solaris SPARC 8, 9, 10, Sun Solaris x86 10, HP-UX

11.11, 11.23, 11.31, IBM AIX 5.2, 5.3, 6.1

## Paper Handling Standard

150-Sheet Output Bin, Integrated Duplex, Single Sheet

Exit, 250-Sheet Input Tray, 50-Sheet Multipurpose Feeder

## Paper Handling Optional

550-Sheet Drawer, Only one drawer may be installed at a

time, 250-Sheet Drawer

## Paper Input Capacity, Standard: Up to

300 pages 20 lb or 75 gsm bond

## Paper Input Capacity, Maximum: Up to

850 pages 20 lb or 75 gsm bond

## Paper Output Capacity, Standard: Up to

150 pages 20 lb or 75 gsm bond

## Paper Output Capacity, Maximum: Up to

150 pages 20 lb or 75 gsm bond

## ADF Paper Input Capacity

Up to 50 pages 20 lb or 75 gsm bond

## Finishing Option

No

## Number of Paper Inputs, Standard

2

## Number of Paper Inputs, Maximum

3

## Media Types Supported

Card Stock, Envelopes, Paper Labels, Plain Paper,

Transparencies, Refer to the Card Stock & Label Guide

## Media Sizes Supported

10 Envelope, 7 3/4 Envelope, 9 Envelope, A4, A5, B5

Envelope, C5 Envelope, DL Envelope, A6 Card, Executive,

Folio, JIS-B5, Legal, Letter, Statement, Universal, Oficio

## Standard Ports

Ethernet 10/100BaseTX (RJ-45), USB 2.0 Specification

Hi-Speed Certified (Type B), Front USB Port Compatible

with USB 2.0 Specification (Type A)

## Optional Network Ports

Lexmark N4050e 802.11g Wireless Print Server (Print

Only), External MarkNet™ N7020e Gigabit Ethernet,

External MarkNet™ N7000e Fast Ethernet (USB)

## Network Printing Methods

LPR/LPD, Direct IP (Port 9100), HTTP, Enhanced IP (Port

9400), FTP, TFTP, IPP 1.1 (Internet Printing Protocol)

## Network Protocol Support

TCP/IP IPv4, AppleTalk™, TCP/IP IPv6, TCP, UDP

## Printable Area

0.158 inches of the top, bottom, right and left edges

(within)

## Printer Languages (Standard)

PCL 5e Emulation, PCL 6 Emulation, Personal Printer

Data Stream (PPDS), PostScript 3 Emulation, PDF 1.6,

Direct Image

## Reduce / Enlarge Range

25 - 400 %

## Scan Area, Maximum

8.5 x 14 inches

## Modem Speed

33.6 Kbps

## Supplies Yield

\*Average standard page yield value declared in

accordance with ISO/IEC 19752., 9,000\*-page High Yield

Toner Cartridge, 3,500\*-page Toner Cartridge

## Cartridge(s) Shipping with Product

3,000\*-page starter Return Program Toner Cartridge

## Packaged Size (in. - H x W x D)

22.44 x 20 x 18.62 in.

## Size (in. - H x W x D)

18.5 x 16.8 x 16.0 in.

## Weight (lb.)

44 lb.

## Noise Level, Idle

27 dBA

## Print Noise Level, Operating

54 dBA

## Copy Noise Level, Operating

<54 dBA

## Scan Noise Level, Operating

<51 dBA

## Product Warranty

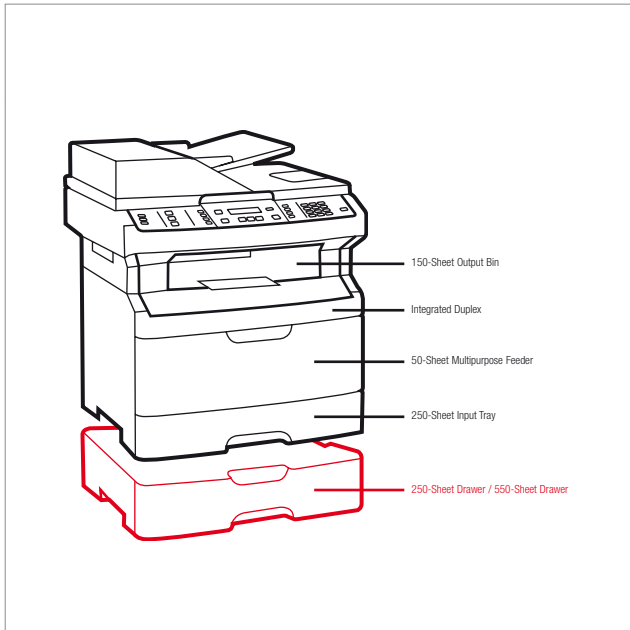
1-Year Onsite Service, Next Business Day

## Maximum Monthly Duty Cycle

Up to 80,000 pages per month

## Recommended Monthly Page Volume

750 - 5,000 pages



Paper Handling Standard  
 Paper Handling Optional

| Part #  | Model          |
|---------|----------------|
| 13B0502 | Lexmark X364dn |

| Part #   | Laser Toner/Print Cartridge                                |
|----------|--|
| X264H11G | X264, X363, X364 High Yield Return Program Toner Cartridge |
| X264A11G | X264, X363, X364 Return Program Toner Cartridge            |
| X264H21G | X264, X363, X364 High Yield Toner Cartridge                |
| X264A21G | X264, X363, X364 Toner Cartridge                           |
| E260X22G | E260, E360, E460, X264, X36x, X46x Photoconductor Kit      |

| Part #  | Paper & Transparencies                |
|---------|---------------------------------------|
| 70X7240 | Laser Printer Transparencies (Letter) |

| Part #  | Paper Handling   |
|---------|------------------|
| 34S0550 | 550-Sheet Drawer |
| 34S0250 | 250-Sheet Drawer |

| Part #  | Memory Options  |
|---------|-----------------|
| 1021209 | 64MB Flash Card |

| Part #  | Connectivity                                     |
|---------|--|
| 1021294 | USB Cable (2-meter)                              |
| 14T0145 | Lexmark N4050e 802.11g Wireless Print Server     |
| 14T0220 | MarkNet™ N7020e Gigabit Ethernet Print Server    |
| 14T0230 | MarkNet™ N7000e Fast Ethernet Print Server - USB |

| Part #  | Extended Warranties                              |
|---------|--|
| 2351016 | 2-Years Total Onsite Service, Next Business Day  |
| 2351017 | 3-Years Total Onsite Service, Next Business Day  |
| 2351020 | 1-Year Onsite Service Renewal, Next Business Day |

| Part #  | User Replaceable Parts |
|---------|------------------------|
| 40X5535 | ADF Flatbed Cushion    |
| 40X5472 | ADF Separator Pad      |
| 40X5471 | ADF Separator Roll     |



# Lexmark X364dw

Wireless-ready 4-in-1 monochrome multifunction with advanced features for small workgroups

## Print Technology

Monochrome Laser

### Function

Color Scanning, Copying, Faxing, Printing

### Print Speed (Letter, Black)

Up to 35 ppm

### Print Speed (Letter, Black) Duplex

Up to 18 spm

### Time to First Page (Black)

As fast as 7 seconds

### Copy Speed (Letter, Black)

Up to 35 cpm

### Time to First Copy (Black)

As fast as 8 seconds

### Print Resolution, Black

1200 Image Quality, 1200 x 1200 dpi, 2400 Image Quality, 600 x 600 dpi

### Scanning Resolution

600 X 600 dpi (black)

### Processor

266 MHz

### Memory, Standard

128 MB

### Memory, Maximum

128 MB

### Expandable Memory Options

No

### Apple Macintosh Operating Systems Supported

Mac OS X (10.2 or later), Mac OS 9.2

### Citrix MetaFrame

Microsoft Windows 2000 Server running Terminal Services with Citrix Presentation Server 3.0, 4.0, Microsoft Windows Server 2003 running Terminal Services with Citrix Presentation Server 3.0, 4.0, 4.5, Microsoft Windows Server 2003 x64 running Terminal Services with Citrix Presentation Server 4.0 x64, 4.5 x64

### Linux Operating Systems Supported

Linpus Linux Desktop 9.2, 9.3, Red Hat Enterprise Linux WS 3.0, 4.0, 5.0, SUSE Linux Enterprise Server 8.0, 9.0, 10.0, SUSE Linux Enterprise Desktop 10, openSUSE 10.2, 10.3, 11.0, Linspire Linux 6.0, Debian GNU/Linux 4.0, Red Flag Linux Desktop 5.0, 6.0, Ubuntu 7.10, Ubuntu 8.04 LTS

### Microsoft Windows Operating Systems Supported

2000, XP, Server 2003, XP x64, Server 2003 running Terminal Services, 2000 Server running Terminal Services, Server 2003 x64, Server 2003 x64 running Terminal Services, Vista, Vista x64, Server 2008, Server 2008 x64, Server 2008 running Terminal Services, Server 2008 x64 running Terminal Services

### Novell Operating Systems Supported

Open Enterprise Server for Netware with NDS, iPrint or Novell Distributed Print Services (NDPS), NetWare 5.x, 6.x with iPrint or Novell Distributed Print Services (NDPS)

### UNIX Operating Systems Supported

Sun Solaris SPARC 8, 9, 10, Sun Solaris x86 10, HP-UX 11.11, 11.23, 11.31, IBM AIX 5.2, 5.3, 6.1

## Paper Handling Standard

150-Sheet Output Bin, Integrated Duplex, Single Sheet Exit, 250-Sheet Input Tray, 50-Sheet Multipurpose Feeder

### Paper Handling Optional

550-Sheet Drawer, Only one drawer may be installed at a time, 250-Sheet Drawer

### Paper Input Capacity, Standard: Up to

300 pages 20 lb or 75 gsm bond

### Paper Input Capacity, Maximum: Up to

850 pages 20 lb or 75 gsm bond

### Paper Output Capacity, Standard: Up to

150 pages 20 lb or 75 gsm bond

### Paper Output Capacity, Maximum: Up to

150 pages 20 lb or 75 gsm bond

### ADF Paper Input Capacity

Up to 50 pages 20 lb or 75 gsm bond

### Finishing Option

No

### Number of Paper Inputs, Standard

2

### Number of Paper Inputs, Maximum

3

### Media Types Supported

Card Stock, Envelopes, Paper Labels, Plain Paper, Transparencies, Refer to the Card Stock & Label Guide

### Media Sizes Supported

10 Envelope, 7 3/4 Envelope, 9 Envelope, A4, A5, B5 Envelope, C5 Envelope, DL Envelope, A6 Card, Executive, Folio, JIS-B5, Legal, Letter, Statement, Universal, Oficio

## Standard Ports

Ethernet 10/100BaseTX (RJ-45), USB 2.0 Specification Hi-Speed Certified (Type B), 802.11b/g/n Wireless, Front USB Port Compatible with USB 2.0 Specification (Type A)

## Optional Network Ports

External MarkNet™ N7020e Gigabit Ethernet

## Network Printing Methods

LPR/LPD, Direct IP (Port 9100), HTTP, Enhanced IP (Port 9400), FTP, TFTP, IPP 1.1 (Internet Printing Protocol)

## Network Protocol Support

TCP/IP IPv4, AppleTalk™, TCP/IP IPv6, TCP, UDP

## Printable Area

0.158 inches of the top, bottom, right and left edges (within)

## Printer Languages (Standard)

PCL 5e Emulation, PCL 6 Emulation, Personal Printer Data Stream (PPDS), PostScript 3 Emulation, PDF 1.6, Direct Image

## Reduce / Enlarge Range

25 - 400 %

## Scan Area, Maximum

8.5 x 14 inches

## Modem Speed

33.6 Kbps

## Supplies Yield

\*Average standard page yield value declared in accordance with ISO/IEC 19752., 9,000\*-page High Yield Toner Cartridge, 3,500\*-page Toner Cartridge

### Cartridge(s) Shipping with Product

3,000\*-page starter Return Program Toner Cartridge

### Packaged Size (in. - H x W x D)

22.44 x 20 x 18.62 in.

### Size (in. - H x W x D)

18.5 x 16.8 x 16.0 in.

### Weight (lb.)

44 lb.

### Noise Level, Idle

27 dBA

### Print Noise Level, Operating

54 dBA

### Copy Noise Level, Operating

<54 dBA

### Scan Noise Level, Operating

<51 dBA

### Product Warranty

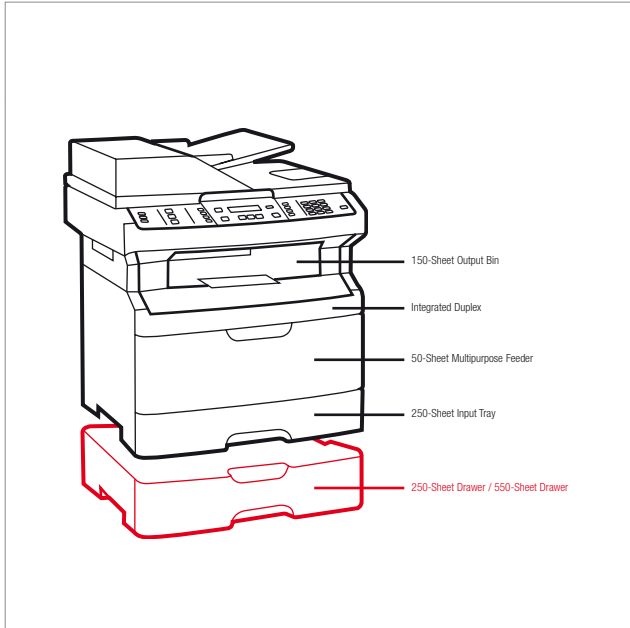
1-Year Onsite Service, Next Business Day

### Maximum Monthly Duty Cycle

Up to 80,000 pages per month

### Recommended Monthly Page Volume

750 - 5,000 pages



Paper Handling Standard  
 Paper Handling Optional

|               |  |
|---------------|--|
| <b>Part #</b> | <b>Model</b>   |
| 13B0503       | Lexmark X364dw   |
| <b>Part #</b> | <b>Laser Toner/Print Cartridge</b>                         |
| X264H11G      | X264, X363, X364 High Yield Return Program Toner Cartridge |
| X264A11G      | X264, X363, X364 Return Program Toner Cartridge            |
| X264H21G      | X264, X363, X364 High Yield Toner Cartridge                |
| X264A21G      | X264, X363, X364 Toner Cartridge                           |
| E260X22G      | E260, E360, E460, X264, X36x, X46x Photoconductor Kit      |
| <b>Part #</b> | <b>Paper &amp; Transparencies</b>                          |
| 70X7240       | Laser Printer Transparencies (Letter)                      |
| <b>Part #</b> | <b>Paper Handling</b>                                      |
| 34S0550       | 550-Sheet Drawer   |
| 34S0250       | 250-Sheet Drawer   |
| <b>Part #</b> | <b>Memory Options</b>                                      |
| 1021209       | 64MB Flash Card  |
| <b>Part #</b> | <b>Connectivity</b>  |
| 1021294       | USB Cable (2-meter)  |
| 14T0220       | MarkNet™ N7020e Gigabit Ethernet Print Server              |
| <b>Part #</b> | <b>Extended Warranties</b>                                 |
| 2351016       | 2-Years Total Onsite Service, Next Business Day            |
| 2351017       | 3-Years Total Onsite Service, Next Business Day            |
| 2351020       | 1-Year Onsite Service Renewal, Next Business Day           |
| <b>Part #</b> | <b>User Replaceable Parts</b>                              |
| 40X5535       | ADF Flatbed Cushion  |
| 40X5472       | ADF Separator Pad  |
| 40X5471       | ADF Separator Roll   |



# Lexmark X463de

Network-ready 3-in-1 multifunction laser  
with time-saving touch screen

## Print Technology

Monochrome Laser

### Function

Color Scanning, Copying, Network Scanning, Printing

### Print Speed (Letter, Black)

Up to 40 ppm

### Print Speed (Letter, Black) Duplex

Up to 18 spm

### Time to First Page (Black)

As fast as 6.5 seconds

### Copy Speed (Letter, Black)

Up to 40 cpm

### Print Resolution, Black

1200 Image Quality, 1200 x 1200 dpi, 2400 Image

Quality, 600 x 600 dpi

### Scanning Resolution

600 X 600 dpi (black)

### Processor

500 MHz

### Memory, Standard

128 MB

### Memory, Maximum

640 MB

### Expandable Memory Options

Yes

### Apple Macintosh Operating Systems Supported

Mac OS X (10.2 or later), Mac OS 9.2

### Citrix MetaFrame

Microsoft Windows 2000 Server running Terminal Services with Citrix Presentation Server 3.0, 4.0, Microsoft Windows Server 2003 running Terminal Services with Citrix Presentation Server 3.0, 4.0, 4.5, Microsoft Windows Server 2003 x64 running Terminal Services with Citrix Presentation Server 4.0 x64, 4.5 x64

### Linux Operating Systems Supported

Linux Linux Desktop 9.2, 9.3, Red Hat Enterprise Linux WS 3.0, 4.0, 5.0, SUSE Linux Enterprise Server 8.0, 9.0, 10.0, SUSE Linux Enterprise Desktop 10, openSUSE 10.2, 10.3, 11.0, Linspire Linux 6.0, Debian GNU/Linux 4.0, Red Flag Linux Desktop 5.0, 6.0, Ubuntu 7.10, Ubuntu 8.04 LTS

### Microsoft Windows Operating Systems Supported

2000, XP, Server 2003, XP x64, Server 2003 running Terminal Services, 2000 Server running Terminal Services, Server 2003 x64, Server 2003 x64 running Terminal Services, Vista, Vista x64, Server 2008, Server 2008 x64, Server 2008 running Terminal Services, Server 2008 x64 running Terminal Services

### Novell Operating Systems Supported

Open Enterprise Server for Netware with NDS, iPrint or Novell Distributed Print Services (NDPS), NetWare 5.x, 6.x with iPrint or Novell Distributed Print Services (NDPS)

### UNIX Operating Systems Supported

Sun Solaris SPARC 8, 9, 10, Sun Solaris x86 10, HP-UX 11.11, 11.23, 11.31, IBM AIX 5.2, 5.3, 6.1

### Other Operating Systems Supported

IBM iSeries or IBM AS/400® Systems with TCP/IP with OS/400® V3R1 or later using OS/400 Host Print

Transform, Virtually any platform supporting TCP/IP

### Paper Handling Standard

150-Sheet Output Bin, Integrated Duplex, 250-Sheet Input Tray, 50-Sheet Multipurpose Feeder

### Paper Handling Optional

550-Sheet Drawer, Only one drawer may be installed at a time, 250-Sheet Drawer

### Paper Input Capacity, Standard: Up to

300 pages 20 lb or 75 gsm bond

### Paper Input Capacity, Maximum: Up to

850 pages 20 lb or 75 gsm bond

### Paper Output Capacity, Standard: Up to

150 pages 20 lb or 75 gsm bond

### Paper Output Capacity, Maximum: Up to

150 pages 20 lb or 75 gsm bond

### ADF Paper Input Capacity

Up to 50 pages 20 lb or 75 gsm bond

### Finishing Option

No

### Number of Paper Inputs, Standard

2

### Number of Paper Inputs, Maximum

3

### Media Types Supported

Card Stock, Envelopes, Paper Labels, Plain Paper, Transparencies, Refer to the Card Stock & Label Guide

### Media Sizes Supported

10 Envelope, 7 3/4 Envelope, 9 Envelope, A4, A5, B5 Envelope, C5 Envelope, DL Envelope, A6 Card, Executive, Folio, JIS-B5, Legal, Letter, Statement, Universal, Oficio

### Standard Ports

Ethernet 10/100BaseTX (RJ-45), One Internal Card Slot, USB 2.0 Specification Hi-Speed Certified (Type B), Front USB 2.0 Specification Hi-Speed Certified Port (Type A), Rear USB 2.0 Specification Hi-Speed Certified Port (Type A)

### Optional Network Ports

Lexmark N4050e 802.11g Wireless Print Server (Print Only), External MarkNet™ N7020e Gigabit Ethernet, Internal MarkNet™ N8120 Gigabit Ethernet, Internal MarkNet™ N8130 Fiber Fast Ethernet, Internal MarkNet™ N8150 802.11b/g/n Wireless

### Network Printing Methods

LPR/LPD, Direct IP (Port 9100), HTTP, Enhanced IP (Port 9400), FTP, TFTP, IPP 1.1 (Internet Printing Protocol), ThinPrint. print integration

### Network Protocol Support

TCP/IP IPv4, IPX/SPX, AppleTalk™, LexLink (DLC), TCP/IP IPv6, TCP, UDP

### Network Security

SNMPv3, 802.1x Authentication: MD5, MSCHAPv2, LEAP, PEAP, TLS, TTLS

### Printable Area

0.158 inches of the top, bottom, right and left edges

(within)

### Printer Languages (Standard)

PCL 5e Emulation, PCL 6 Emulation, Personal Printer Data Stream (PPDS), PostScript 3 Emulation, xHTML, PDF 1.6, Direct Image, Microsoft XPS (XML Paper Specification)

### Reduce / Enlarge Range

25 - 400 %

### Scan Area, Maximum

8.5 x 14 inches

### Supplies Yield

\*Average standard page yield value declared in accordance with ISO/IEC 19752, 9,000\*-page High Yield Toner Cartridge, 3,500\*-page Toner Cartridge, 15,000\*-page Extra High Yield Toner Cartridge

### Cartridge(s) Shipping with Product

7,000\*-page starter Return Program Toner Cartridge

### Packaged Size (in. - H x W x D)

24.61 x 23.62 x 20.08 in.

### Size (in. - H x W x D)

20.9 x 19.2 x 17.2 in.

### Size, Trays Extended (in. - H x W x D)

21.5 x 19.2 x 17.2 in.

### Weight (lb.)

50 lb.

### Noise Level, Idle

22 dBA

### Print Noise Level, Operating

53 dBA

### Copy Noise Level, Operating

53 dBA

### Scan Noise Level, Operating

49 dBA

### Product Warranty

1-Year Onsite Service, Next Business Day

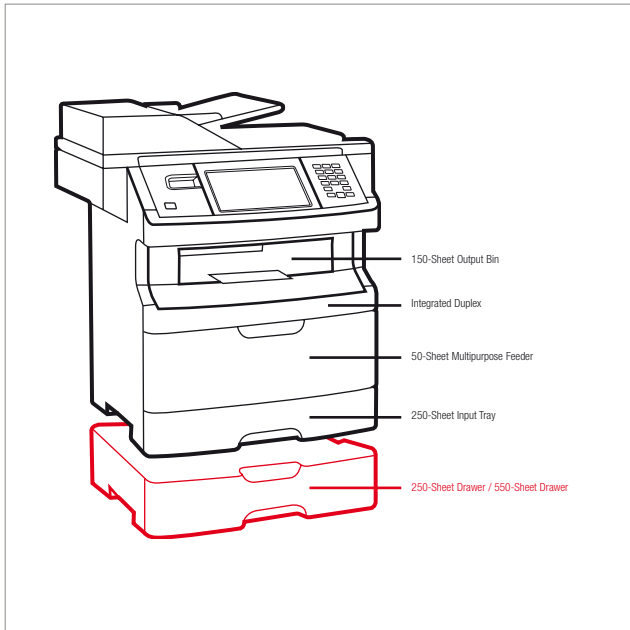
### Maximum Monthly Duty Cycle

Up to 80,000 pages per month

### Recommended Monthly Page Volume

2,000 - 10,000 pages





Paper Handling Standard  
 Paper Handling Optional

| Part #  | Model          |
|---------|----------------|
| 13C1100 | Lexmark X463de |

| Part #   | Laser Toner/Print Cartridge                                      |
|----------|--|
| X463X11G | X463, X464, X466 Extra High Yield Return Program Toner Cartridge |
| X463H11G | X463, X464, X466 High Yield Return Program Toner Cartridge       |
| X463A11G | X463, X464, X466 Return Program Toner Cartridge                  |
| X463X21G | X463, X464, X466 Extra High Yield Toner Cartridge                |
| X463H21G | X463, X464, X466 High Yield Toner Cartridge                      |
| X463A21G | X463, X464, X466 Toner Cartridge                                 |
| E260X22G | E260, E360, E460, X264, X36x, X46x Photoconductor Kit            |

| Part #  | Paper & Transparencies                |
|---------|---------------------------------------|
| 70X7240 | Laser Printer Transparencies (Letter) |

| Part #  | Paper Handling   |
|---------|------------------|
| 34S0550 | 550-Sheet Drawer |
| 34S0250 | 250-Sheet Drawer |

| Part #  | MFP Options                 |
|---------|-----------------------------|
| 14F0052 | MarkNet N8110 V.34 Fax Card |

| Part #  | Memory Options                |
|---------|-------------------------------|
| 1022298 | 128MB DDR1-DRAM               |
| 1022299 | 256MB DDR1-DRAM               |
| 1022301 | 512MB DDR1-DRAM               |
| 14F0245 | 256MB Flash Card              |
| 30G0828 | Japanese Font Card            |
| 30G0825 | Korean Font Card              |
| 30G0826 | Simplified Chinese Font Card  |
| 30G0827 | Traditional Chinese Font Card |
| 14F0102 | 80+GB Hard Disk               |

| Part #  | Application Solutions                    |
|---------|--|
| 30G0829 | Lexmark PrintCrypton Card                |
| 34S7721 | X463, X464, X466 Forms and Bar Code Card |

| Part #  | Connectivity  |
|---------|---|
| 1021294 | USB Cable (2-meter)   |
| 14F0037 | MarkNet N8120 Gigabit Ethernet Print Server                   |
| 14F0042 | MarkNet N8130 Fiber Ethernet 100BaseFX, 10BaseFL Print Server |
| 14F0040 | MarkNet N8150 802.11b/g/n Wireless Print Server               |
| 14T0145 | Lexmark N4050e 802.11g Wireless Print Server                  |
| 14T0220 | MarkNet™ N7020e Gigabit Ethernet Print Server                 |
| 14F0000 | Parallel 1284-B Interface Card                                |
| 1021231 | Parallel Cable (10-foot)                                      |
| 14F0100 | RS-232C Serial Interface Card                                 |

| Part #  | Extended Warranties                             |
|---------|---|
| 2350870 | 2-Years Total Onsite Service, Next Business Day |

|         |   |
|---------|---|
| 2350871 | 3-Years Total Onsite Service, Next Business Day |
| 2350872 | 4-Years Total Onsite Service, Next Business Day |
| 2350873 | 5-Years Total Onsite Service, Next Business Day |

| Part #  | User Replaceable Parts |
|---------|------------------------|
| 40X5472 | ADF Separator Pad      |
| 40X5471 | ADF Separator Roll     |
| 40X5804 | ADF Flatbed Cushion    |
| 40X5807 | ADF Maintenance Kit    |

| Part #  | Service Parts                             |
|---------|---|
| 40X5400 | E460, X46x Fuser Maintenance Kit 110-120V |



# Lexmark X464de

Small-workgroup 4-in-1 MFP, includes high-speed fax

## Print Technology

Monochrome Laser

## Function

Color Scanning, Copying, Faxing, Network Scanning, Printing

## Print Speed (Letter, Black)

Up to 40 ppm

## Print Speed (Letter, Black) Duplex

Up to 18 spm

## Time to First Page (Black)

As fast as 6.5 seconds

## Copy Speed (Letter, Black)

Up to 40 cpm

## Print Resolution, Black

1200 Image Quality, 1200 x 1200 dpi, 2400 Image Quality, 600 x 600 dpi

## Scanning Resolution

600 X 600 dpi (black)

## Processor

500 MHz

## Memory, Standard

128 MB

## Memory, Maximum

640 MB

## Expandable Memory Options

Yes

## Apple Macintosh Operating Systems Supported

Mac OS X (10.2 or later), Mac OS 9.2

## Citrix MetaFrame

Microsoft Windows 2000 Server running Terminal Services with Citrix Presentation Server 3.0, 4.0, Microsoft Windows Server 2003 running Terminal Services with Citrix Presentation Server 3.0, 4.0, 4.5, Microsoft Windows Server 2003 x64 running Terminal Services with Citrix Presentation Server 4.0 x64, 4.5 x64

## Linux Operating Systems Supported

Linpus Linux Desktop 9.2, 9.3, Red Hat Enterprise Linux WS 3.0, 4.0, 5.0, SUSE Linux Enterprise Server 8.0, 9.0, 10.0, SUSE Linux Enterprise Desktop 10, openSUSE 10.2, 10.3, 11.0, Linspire Linux 6.0, Debian GNU/Linux 4.0, Red Flag Linux Desktop 5.0, 6.0, Ubuntu 7.10, Ubuntu 8.04 LTS

## Microsoft Windows Operating Systems Supported

2000, XP, Server 2003, XP x64, Server 2003 running Terminal Services, 2000 Server running Terminal Services, Server 2003 x64, Server 2003 x64 running Terminal Services, Vista, Vista x64, Server 2008, Server 2008 x64, Server 2008 running Terminal Services, Server 2008 x64 running Terminal Services

## Novell Operating Systems Supported

Open Enterprise Server for Netware with NDS, iPrint or Novell Distributed Print Services (NDPS), NetWare 5.x, 6.x with iPrint or Novell Distributed Print Services (NDPS)

## UNIX Operating Systems Supported

Sun Solaris SPARC 8, 9, 10, Sun Solaris x86 1.0, HP-UX 11.11, 11.23, 11.31, IBM AIX 5.2, 5.3, 6.1

## Other Operating Systems Supported

IBM iSeries or IBM AS/400® Systems with TCP/IP

with OS/400® V3R1 or later using OS/400 Host Print Transform, Virtually any platform supporting TCP/IP

## Paper Handling Standard

150-Sheet Output Bin, Integrated Duplex, 250-Sheet Input Tray, 50-Sheet Multipurpose Feeder

## Paper Handling Optional

550-Sheet Drawer, Only one drawer may be installed at a time, 250-Sheet Drawer

## Paper Input Capacity, Standard: Up to

300 pages 20 lb or 75 gsm bond

## Paper Input Capacity, Maximum: Up to

850 pages 20 lb or 75 gsm bond

## Paper Output Capacity, Standard: Up to

150 pages 20 lb or 75 gsm bond

## Paper Output Capacity, Maximum: Up to

150 pages 20 lb or 75 gsm bond

## ADF Paper Input Capacity

Up to 50 pages 20 lb or 75 gsm bond

## Finishing Option

No

## Number of Paper Inputs, Standard

2

## Number of Paper Inputs, Maximum

3

## Media Types Supported

Card Stock, Envelopes, Paper Labels, Plain Paper, Transparencies, Refer to the Card Stock & Label Guide

## Media Sizes Supported

10 Envelope, 7 3/4 Envelope, 9 Envelope, A4, A5, B5 Envelope, C5 Envelope, DL Envelope, A6 Card, Executive, Folio, JIS-B5, Legal, Letter, Statement, Universal, Oficio

## Standard Ports

Ethernet 10/100BaseTX (RJ-45), One Internal Card Slot, USB 2.0 Specification Hi-Speed Certified (Type B), Front USB 2.0 Specification Hi-Speed Certified Port (Type A), Rear USB 2.0 Specification Hi-Speed Certified Port (Type A)

## Optional Network Ports

Lexmark N4050e 802.11g Wireless Print Server (Print Only), External MarkNet™ N7020e Gigabit Ethernet, Internal MarkNet™ N8120 Gigabit Ethernet, Internal MarkNet™ N8130 Fiber Fast Ethernet, Internal MarkNet™ N8150 802.11b/g/n Wireless

## Network Printing Methods

LPR/LPD, Direct IP (Port 9100), HTTP, Enhanced IP (Port 9400), FTP, TFTP, IPP 1.1 (Internet Printing Protocol), ThinPrint .print integration

## Network Protocol Support

TCP/IP IPv4, IPX/SPX, AppleTalk™, LexLink (DLC), TCP/IP IPv6, TCP, UDP

## Network Security

SNMPv3, 802.1x Authentication: MD5, MSCHAPv2, LEAP, PEAP, TLS, TTLS

## Printable Area

0.158 inches of the top, bottom, right and left edges (within)

## Printer Languages (Standard)

PCL 5e Emulation, PCL 6 Emulation, Personal Printer Data Stream (PPDS), PostScript 3 Emulation, xHTML, PDF 1.6, Direct Image, Microsoft XPS (XML Paper Specification)

## Reduce / Enlarge Range

25 - 400 %

## Scan Area, Maximum

8.5 x 14 inches

## Modem Speed

33.6 Kbps

## Supplies Yield

\*Average standard page yield value declared in accordance with ISO/IEC 19752., 9,000\*-page High Yield Toner Cartridge, 3,500\*-page Toner Cartridge, 15,000\*-page Extra High Yield Toner Cartridge

## Cartridge(s) Shipping with Product

7,000\*-page starter Return Program Toner Cartridge

## Packaged Size (in. - H x W x D)

24.61 x 23.62 x 20.08 in.

## Size (in. - H x W x D)

20.9 x 19.2 x 17.2 in.

## Size, Trays Extended (in. - H x W x D)

21.5 x 19.2 x 17.2 in.

## Weight (lb.)

50 lb.

## Noise Level, Idle

22 dBA

## Print Noise Level, Operating

53 dBA

## Copy Noise Level, Operating

53 dBA

## Scan Noise Level, Operating

49 dBA

## Product Warranty

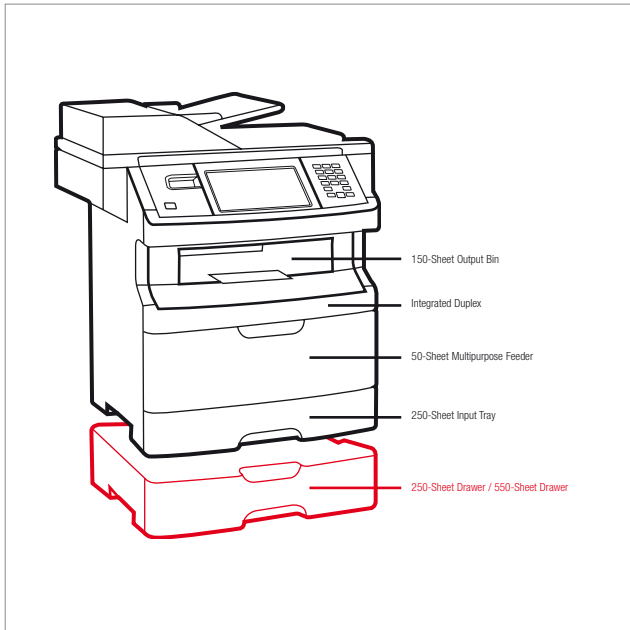
1-Year Onsite Service, Next Business Day

## Maximum Monthly Duty Cycle

Up to 80,000 pages per month

## Recommended Monthly Page Volume

2,000 - 10,000 pages



Paper Handling Standard  
 Paper Handling Optional

| Part #  | Model          |
|---------|----------------|
| 13C1101 | Lexmark X464de |

| Part #   | Laser Toner/Print Cartridge                                      |
|----------|--|
| X463X11G | X463, X464, X466 Extra High Yield Return Program Toner Cartridge |
| X463H11G | X463, X464, X466 High Yield Return Program Toner Cartridge       |
| X463A11G | X463, X464, X466 Return Program Toner Cartridge                  |
| X463X21G | X463, X464, X466 Extra High Yield Toner Cartridge                |
| X463H21G | X463, X464, X466 High Yield Toner Cartridge                      |
| X463A21G | X463, X464, X466 Toner Cartridge                                 |
| E260X22G | E260, E360, E460, X264, X36x, X46x Photoconductor Kit            |

| Part #  | Paper & Transparencies                |
|---------|---------------------------------------|
| 70X7240 | Laser Printer Transparencies (Letter) |

| Part #  | Paper Handling   |
|---------|------------------|
| 34S0550 | 550-Sheet Drawer |
| 34S0250 | 250-Sheet Drawer |

| Part #  | Memory Options                |
|---------|-------------------------------|
| 1022298 | 128MB DDR1-DRAM               |
| 1022299 | 256MB DDR1-DRAM               |
| 1022301 | 512MB DDR1-DRAM               |
| 14F0245 | 256MB Flash Card              |
| 30G0828 | Japanese Font Card            |
| 30G0825 | Korean Font Card              |
| 30G0826 | Simplified Chinese Font Card  |
| 30G0827 | Traditional Chinese Font Card |
| 14F0102 | 80+GB Hard Disk               |

| Part #  | Application Solutions                    |
|---------|--|
| 30G0829 | Lexmark PrintCrypton Card                |
| 34S7721 | X463, X464, X466 Forms and Bar Code Card |

| Part #  | Connectivity  |
|---------|---|
| 1021294 | USB Cable (2-meter)   |
| 14F0037 | MarkNet N8120 Gigabit Ethernet Print Server                   |
| 14F0042 | MarkNet N8130 Fiber Ethernet 100BaseFX, 10BaseFL Print Server |
| 14F0040 | MarkNet N8150 802.11b/g/n Wireless Print Server               |
| 14T0145 | Lexmark N4050e 802.11g Wireless Print Server                  |
| 14T0220 | MarkNet™ N7020e Gigabit Ethernet Print Server                 |
| 14F0000 | Parallel 1284-B Interface Card                                |
| 1021231 | Parallel Cable (10-foot)                                      |
| 14F0100 | RS-232C Serial Interface Card                                 |

| Part #  | Extended Warranties                             |
|---------|---|
| 2350888 | 2-Years Total Onsite Service, Next Business Day |
| 2350889 | 3-Years Total Onsite Service, Next Business Day |
| 2350890 | 4-Years Total Onsite Service, Next Business Day |
| 2350891 | 5-Years Total Onsite Service, Next Business Day |

| Part #  | User Replaceable Parts |
|---------|------------------------|
| 40X5472 | ADF Separator Pad      |
| 40X5471 | ADF Separator Roll     |
| 40X5804 | ADF Flatbed Cushion    |
| 40X5807 | ADF Maintenance Kit    |

| Part #  | Service Parts                             |
|---------|---|
| 40X5400 | E460, X46x Fuser Maintenance Kit 110-120V |



# Lexmark X466de

Solutions-ready 4-in-1 multifunction for small workgroups, include a hard disk

## Print Technology

Monochrome Laser

## Function

Color Scanning, Copying, Faxing, Network Scanning, Printing

## Print Speed (Letter, Black)

Up to 40 ppm

## Print Speed (Letter, Black) Duplex

Up to 18 spm

## Time to First Page (Black)

As fast as 6.5 seconds

## Copy Speed (Letter, Black)

Up to 40 cpm

## Time to First Copy (Black)

As fast as 10 seconds

## Print Resolution, Black

1200 Image Quality, 1200 x 1200 dpi, 2400 Image Quality, 600 x 600 dpi

## Scanning Resolution

600 X 600 dpi (black)

## Processor

500 Mhz

## Memory, Standard

256 MB

## Memory, Maximum

640 MB

## Expandable Memory Options

Yes

## Apple Macintosh Operating Systems Supported

Mac OS X (10.2 or later), Mac OS 9.2

## Citrix MetaFrame

Microsoft Windows 2000 Server running Terminal Services with Citrix Presentation Server 3.0, 4.0, Microsoft Windows Server 2003 running Terminal Services with Citrix Presentation Server 3.0, 4.0, 4.5, Microsoft Windows Server 2003 x64 running Terminal Services with Citrix Presentation Server 4.0 x64, 4.5 x64

## Linux Operating Systems Supported

Linpus Linux Desktop 9.2, 9.3, Red Hat Enterprise Linux WS 3.0, 4.0, 5.0, SUSE Linux Enterprise Server 8.0, 9.0, 10.0, SUSE Linux Enterprise Desktop 10, openSUSE 10.2, 10.3, 11.0, Linspire Linux 6.0, Debian GNU/Linux 4.0, Red Flag Linux Desktop 5.0, 6.0, Ubuntu 7.10, Ubuntu 8.04 LTS

## Microsoft Windows Operating Systems Supported

2000, XP, Server 2003, XP x64, Server 2003 running Terminal Services, 2000 Server running Terminal Services, Server 2003 x64, Server 2003 x64 running Terminal Services, Vista, Vista x64, Server 2008, Server 2008 x64, Server 2008 running Terminal Services, Server 2008 x64 running Terminal Services

## Novell Operating Systems Supported

Open Enterprise Server for Netware with NDS, iPrint or Novell Distributed Print Services (NDPS), NetWare 5.x, 6.x with iPrint or Novell Distributed Print Services (NDPS)

## UNIX Operating Systems Supported

Sun Solaris SPARC 8, 9, 10, Sun Solaris x86 10, HP-UX 11.11, 11.23, 11.31, IBM AIX 5.2, 5.3, 6.1

## Other Operating Systems Supported

IBM iSeries or IBM AS/400® Systems with TCP/IP with OS/400® V3R1 or later using OS/400 Host Print Transform, Virtually any platform supporting TCP/IP

## Paper Handling Standard

150-Sheet Output Bin, Integrated Duplex, 250-Sheet Input Tray, 50-Sheet Multipurpose Feeder

## Paper Handling Optional

550-Sheet Drawer, Only one drawer may be installed at a time, 250-Sheet Drawer

## Paper Input Capacity, Standard: Up to

300 pages 20 lb or 75 gsm bond

## Paper Input Capacity, Maximum: Up to

850 pages 20 lb or 75 gsm bond

## Paper Output Capacity, Standard: Up to

150 pages 20 lb or 75 gsm bond

## Paper Output Capacity, Maximum: Up to

150 pages 20 lb or 75 gsm bond

## ADF Paper Input Capacity

Up to 50 pages 20 lb or 75 gsm bond

## Finishing Option

No

## Number of Paper Inputs, Standard

2

## Number of Paper Inputs, Maximum

3

## Media Types Supported

Card Stock, Envelopes, Paper Labels, Plain Paper, Transparencies, Refer to the Card Stock & Label Guide

## Media Sizes Supported

10 Envelope, 7 3/4 Envelope, 9 Envelope, A4, A5, B5 Envelope, C5 Envelope, DL Envelope, A6 Card, Executive, Folio, JIS-B5, Legal, Letter, Statement, Universal, Oficio

## Standard Ports

Ethernet 10/100BaseTX (RJ-45), One Internal Card Slot, USB 2.0 Specification Hi-Speed Certified (Type B), Front USB 2.0 Specification Hi-Speed Certified Port (Type A), Rear USB 2.0 Specification Hi-Speed Certified Port (Type A)

## Optional Network Ports

Lexmark N4050e 802.11g Wireless Print Server (Print Only), External MarkNet™ N7020e Gigabit Ethernet, Internal MarkNet™ N8120 Gigabit Ethernet, Internal MarkNet™ N8130 Fiber Fast Ethernet, Internal MarkNet™ N8150 802.11b/g/n Wireless

## Network Printing Methods

LPR/LPD, Direct IP (Port 9100), HTTP, Enhanced IP (Port 9400), FTP, TFTP, IPP 1.1 (Internet Printing Protocol), ThinPrint .print integration

## Network Protocol Support

TCP/IP IPv4, IPX/SPX, AppleTalk™, LexLink (DLC), TCP/IP IPv6, TCP, UDP

## Network Security

SNMPv3, 802.1x Authentication: MDS, MSCHAPv2, LEAP,

PEAP, TLS, TTLS

## Printable Area

0.158 inches of the top, bottom, right and left edges (within)

## Printer Languages (Standard)

PCL 5e Emulation, PCL 6 Emulation, Personal Printer Data Stream (PPDS), PostScript 3 Emulation, xHTML, PDF 1.6, Direct Image, Microsoft XPS (XML Paper Specification)

## Reduce / Enlarge Range

25 - 400 %

## Scan Area, Maximum

8.5 x 14 inches

## Modem Speed

33.6 Kbps

## Supplies Yield

\*Average standard page yield value declared in accordance with ISO/IEC 19752., 9,000\*-page High Yield Toner Cartridge, 3,500\*-page Toner Cartridge, 15,000\*-page Extra High Yield Toner Cartridge

## Cartridge(s) Shipping with Product

7,000\*-page starter Return Program Toner Cartridge

## Package Size (in. - H x W x D)

24.61 x 23.62 x 20.08 in.

## Size (in. - H x W x D)

20.9 x 19.2 x 17.2 in.

## Size, Trays Extended (in. - H x W x D)

21.5 x 19.2 x 17.2 in.

## Weight (lb.)

50 lb.

## Noise Level, Idle

22 dBA

## Print Noise Level, Operating

53 dBA

## Copy Noise Level, Operating

53 dBA

## Scan Noise Level, Operating

49 dBA

## Product Warranty

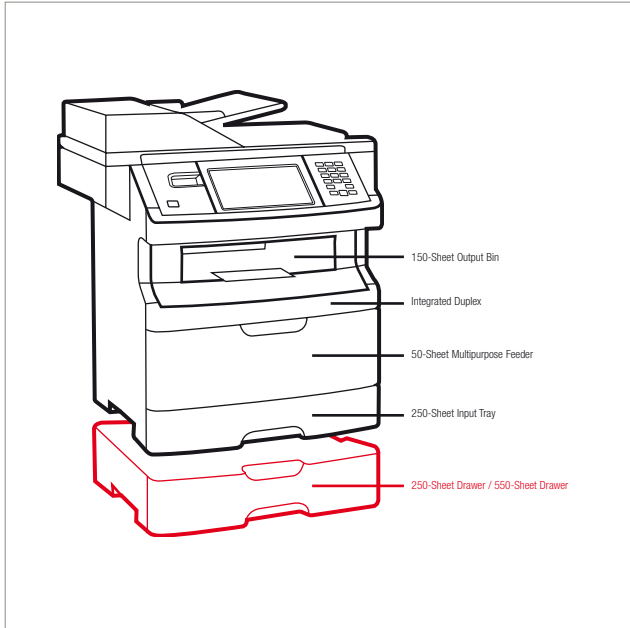
1-Year Onsite Service, Next Business Day

## Maximum Monthly Duty Cycle

Up to 80,000 pages per month

## Recommended Monthly Page Volume

2,000 - 10,000 pages



Paper Handling Standard  
 Paper Handling Optional

| Part #  | Model          |
|---------|----------------|
| 13C1265 | Lexmark X466de |

| Part #   | Laser Toner/Print Cartridge                                      |
|----------|--|
| X463X11G | X463, X464, X466 Extra High Yield Return Program Toner Cartridge |
| X463H11G | X463, X464, X466 High Yield Return Program Toner Cartridge       |
| X463A11G | X463, X464, X466 Return Program Toner Cartridge                  |
| X463X21G | X463, X464, X466 Extra High Yield Toner Cartridge                |
| X463H21G | X463, X464, X466 High Yield Toner Cartridge                      |
| X463A21G | X463, X464, X466 Toner Cartridge                                 |
| E260X22G | E260, E360, E460, X264, X36x, X46x Photoconductor Kit            |

| Part #  | Paper & Transparencies                |
|---------|---------------------------------------|
| 70X7240 | Laser Printer Transparencies (Letter) |

| Part #  | Paper Handling   |
|---------|------------------|
| 34S0550 | 550-Sheet Drawer |
| 34S0250 | 250-Sheet Drawer |

| Part #  | Memory Options                |
|---------|-------------------------------|
| 1022298 | 128MB DDR1-DRAM               |
| 1022299 | 256MB DDR1-DRAM               |
| 1022301 | 512MB DDR1-DRAM               |
| 14F0245 | 256MB Flash Card              |
| 30G0828 | Japanese Font Card            |
| 30G0825 | Korean Font Card              |
| 30G0826 | Simplified Chinese Font Card  |
| 30G0827 | Traditional Chinese Font Card |

| Part #  | Application Solutions                    |
|---------|--|
| 30G0829 | Lexmark PrintCrypton Card                |
| 34S7721 | X463, X464, X466 Forms and Bar Code Card |
| 34S7720 | X466 Card for IPDS/SCS/TNE               |

| Part #  | Connectivity  |
|---------|---|
| 1021294 | USB Cable (2-meter)   |
| 14F0037 | MarkNet N8120 Gigabit Ethernet Print Server                   |
| 14F0042 | MarkNet N8130 Fiber Ethernet 100BaseFX, 10BaseFL Print Server |
| 14F0040 | MarkNet N8150 802.11b/g/n Wireless Print Server               |
| 14T0145 | Lexmark N4050e 802.11g Wireless Print Server                  |
| 14T0220 | MarkNet™ N7020e Gigabit Ethernet Print Server                 |
| 14F0000 | Parallel 1284-B Interface Card                                |
| 1021231 | Parallel Cable (10-foot)                                      |
| 14F0100 | RS-232C Serial Interface Card                                 |

| Part #  | Extended Warranties                             |
|---------|---|
| 2350906 | 2-Years Total Onsite Service, Next Business Day |
| 2350907 | 3-Years Total Onsite Service, Next Business Day |
| 2350908 | 4-Years Total Onsite Service, Next Business Day |
| 2350909 | 5-Years Total Onsite Service, Next Business Day |

| Part #  | User Replaceable Parts |
|---------|------------------------|
| 40X5472 | ADF Separator Pad      |
| 40X5471 | ADF Separator Roll     |
| 40X5804 | ADF Flatbed Cushion    |
| 40X5807 | ADF Maintenance Kit    |

| Part #  | Service Parts                             |
|---------|---|
| 40X5400 | E460, X46x Fuser Maintenance Kit 110-120V |



# Lexmark X466dte

Solutions-ready 4-in-1 multifunction for small workgroups, includes hard disk and extra input capacity

## Print Technology

Monochrome Laser

## Function

Color Scanning, Copying, Faxing, Network Scanning, Printing

## Print Speed (Letter, Black)

Up to 40 ppm

## Print Speed (Letter, Black) Duplex

Up to 18 spm

## Time to First Page (Black)

As fast as 6.5 seconds

## Copy Speed (Letter, Black)

Up to 40 cpm

## Time to First Copy (Black)

As fast as 10 seconds

## Print Resolution, Black

1200 Image Quality, 1200 x 1200 dpi, 2400 Image Quality, 600 x 600 dpi

## Scanning Resolution

600 X 600 dpi (black)

## Processor

500 Mhz

## Memory, Standard

256 MB

## Memory, Maximum

640 MB

## Expandable Memory Options

Yes

## Apple Macintosh Operating Systems Supported

Mac OS X (10.2 or later), Mac OS 9.2

## Citrix MetaFrame

Microsoft Windows 2000 Server running Terminal Services with Citrix Presentation Server 3.0, 4.0, Microsoft Windows Server 2003 running Terminal Services with Citrix Presentation Server 3.0, 4.0, 4.5, Microsoft Windows Server 2003 x64 running Terminal Services with Citrix Presentation Server 4.0 x64, 4.5 x64

## Linux Operating Systems Supported

Linpus Linux Desktop 9.2, 9.3, Red Hat Enterprise Linux WS 3.0, 4.0, 5.0, SUSE Linux Enterprise Server 8.0, 9.0, 10.0, SUSE Linux Enterprise Desktop 10, openSUSE 10.2, 10.3, 11.0, Linspire Linux 6.0, Debian GNU/Linux 4.0, Red Flag Linux Desktop 5.0, 6.0, Ubuntu 7.10, Ubuntu 8.04 LTS

## Microsoft Windows Operating Systems Supported

2000, XP, Server 2003, XP x64, Server 2003 running Terminal Services, 2000 Server running Terminal Services, Server 2003 x64, Server 2003 x64 running Terminal Services, Vista, Vista x64, Server 2008, Server 2008 x64, Server 2008 running Terminal Services, Server 2008 x64 running Terminal Services

## Novell Operating Systems Supported

Open Enterprise Server for Netware with NDS, iPrint or Novell Distributed Print Services (NDPS), NetWare 5.x, 6.x with iPrint or Novell Distributed Print Services (NDPS)

## UNIX Operating Systems Supported

Sun Solaris SPARC 8, 9, 10, Sun Solaris x86 10, HP-UX 11.11, 11.23, 11.31, IBM AIX 5.2, 5.3, 6.1

## Other Operating Systems Supported

IBM iSeries or IBM AS/400® Systems with TCP/IP with OS/400® V3R1 or later using OS/400 Host Print Transform, Virtually any platform supporting TCP/IP

## Paper Handling Standard

150-Sheet Output Bin, Integrated Duplex, 250-Sheet Input Tray, 550-Sheet Drawer, 50-Sheet Multipurpose Feeder

## Paper Input Capacity, Standard: Up to

850 pages 20 lb or 75 gsm bond

## Paper Input Capacity, Maximum: Up to

850 pages 20 lb or 75 gsm bond

## Paper Output Capacity, Standard: Up to

150 pages 20 lb or 75 gsm bond

## Paper Output Capacity, Maximum: Up to

150 pages 20 lb or 75 gsm bond

## ADF Paper Input Capacity

Up to 50 pages 20 lb or 75 gsm bond

## Finishing Option

No

## Number of Paper Inputs, Standard

3

## Number of Paper Inputs, Maximum

3

## Media Types Supported

Card Stock, Envelopes, Paper Labels, Plain Paper, Transparencies, Refer to the Card Stock & Label Guide

## Media Sizes Supported

10 Envelope, 7 3/4 Envelope, 9 Envelope, A4, A5, B5 Envelope, C5 Envelope, DL Envelope, A6 Card, Executive, Folio, JIS-B5, Legal, Letter, Statement, Universal, Oficio

## Standard Ports

Ethernet 10/100BaseTX (RJ-45), One Internal Card Slot, USB 2.0 Specification Hi-Speed Certified (Type B), Front USB 2.0 Specification Hi-Speed Certified Port (Type A), Rear USB 2.0 Specification Hi-Speed Certified Port (Type A)

## Optional Network Ports

Lexmark N4050e 802.11g Wireless Print Server (Print Only), External MarkNet™ N7020e Gigabit Ethernet, Internal MarkNet™ N8120 Gigabit Ethernet, Internal MarkNet™ N8130 Fiber Fast Ethernet, Internal MarkNet™ N8150 802.11b/g/n Wireless

## Network Printing Methods

LPR/LPD, Direct IP (Port 9100), HTTP, Enhanced IP (Port 9400), FTP, TFTP, IPP 1.1 (Internet Printing Protocol), ThinPrint .print integration

## Network Protocol Support

TCP/IP IPv4, IPX/SPX, AppleTalk™, LexLink (DLC), TCP/IP IPv6, TCP, UDP

## Network Security

SNMPv3, 802.1x Authentication: MD5, MSCHAPv2, LEAP, PEAP, TLS, TTLS

## Printable Area

0.158 inches of the top, bottom, right and left edges (within)

## Printer Languages (Standard)

PCL 5e Emulation, PCL 6 Emulation, Personal Printer Data Stream (PPDS), PostScript 3 Emulation, xHTML, PDF 1.6, Direct Image, Microsoft XPS (XML Paper Specification)

## Reduce / Enlarge Range

25 - 400 %

## Scan Area, Maximum

8.5 x 14 inches

## Modem Speed

33.6 Kbps

## Supplies Yield

\*Average standard page yield value declared in accordance with ISO/IEC 19752., 9,000\*-page High Yield Toner Cartridge, 3,500\*-page Toner Cartridge, 15,000\*-page Extra High Yield Toner Cartridge

## Cartridge(s) Shipping with Product

7,000\*-page starter Return Program Toner Cartridge

## Packaged Size (in. - H x W x D)

34.06 x 23.62 x 20.08 in.

## Size (in. - H x W x D)

26.0 x 19.2 x 17.2 in.

## Size, Trays Extended (in. - H x W x D)

26.6 x 19.2 x 17.2 in.

## Weight (lb.)

36 lb.

## Noise Level, Idle

22 dBA

## Print Noise Level, Operating

53 dBA

## Copy Noise Level, Operating

53 dBA

## Scan Noise Level, Operating

49 dBA

## Product Warranty

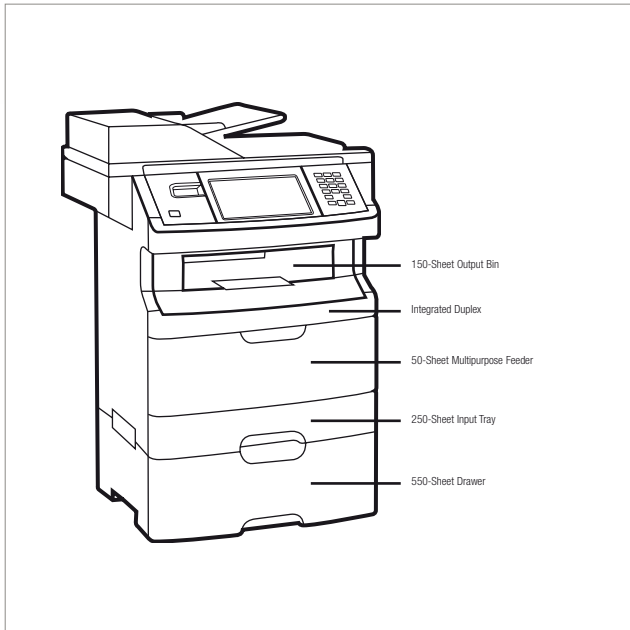
1-Year Onsite Service, Next Business Day

## Maximum Monthly Duty Cycle

Up to 80,000 pages per month

## Recommended Monthly Page Volume

2,000 - 10,000 pages



Paper Handling Standard

| Part #  | Model           |
|---------|-----------------|
| 13C1102 | Lexmark X466dte |

| Part #   | Laser Toner/Print Cartridge                                      |
|----------|--|
| X463X11G | X463, X464, X466 Extra High Yield Return Program Toner Cartridge |
| X463H11G | X463, X464, X466 High Yield Return Program Toner Cartridge       |
| X463A11G | X463, X464, X466 Return Program Toner Cartridge                  |
| X463X21G | X463, X464, X466 Extra High Yield Toner Cartridge                |
| X463H21G | X463, X464, X466 High Yield Toner Cartridge                      |
| X463A21G | X463, X464, X466 Toner Cartridge                                 |
| E260X22G | E260, E360, E460, X264, X36x, X46x Photoconductor Kit            |

| Part #  | Paper & Transparencies                |
|---------|---------------------------------------|
| 70X7240 | Laser Printer Transparencies (Letter) |

| Part #  | Paper Handling   |
|---------|------------------|
| 34S0550 | 550-Sheet Drawer |
| 34S0250 | 250-Sheet Drawer |

| Part #  | Memory Options                |
|---------|-------------------------------|
| 1022298 | 128MB DDR1-DRAM               |
| 1022299 | 256MB DDR1-DRAM               |
| 1022301 | 512MB DDR1-DRAM               |
| 14F0245 | 256MB Flash Card              |
| 30G0828 | Japanese Font Card            |
| 30G0825 | Korean Font Card              |
| 30G0826 | Simplified Chinese Font Card  |
| 30G0827 | Traditional Chinese Font Card |

| Part #  | Application Solutions                    |
|---------|--|
| 30G0829 | Lexmark PrintCryption Card               |
| 34S7721 | X463, X464, X466 Forms and Bar Code Card |
| 34S7720 | X466 Card for IPDS/SCS/TNE               |

| Part #  | Connectivity  |
|---------|---|
| 1021294 | USB Cable (2-meter)   |
| 14F0037 | MarkNet N8120 Gigabit Ethernet Print Server                   |
| 14F0042 | MarkNet N8130 Fiber Ethernet 100BaseFX, 10BaseFL Print Server |
| 14F0040 | MarkNet N8150 802.11b/g/n Wireless Print Server               |
| 14T0145 | Lexmark N4050e 802.11g Wireless Print Server                  |
| 14T0220 | MarkNet™ N7020e Gigabit Ethernet Print Server                 |
| 14F0000 | Parallel 1284-B Interface Card                                |
| 1021231 | Parallel Cable (10-foot)                                      |
| 14F0100 | RS-232C Serial Interface Card                                 |

| Part #  | Extended Warranties                             |
|---------|---|
| 2350906 | 2-Years Total Onsite Service, Next Business Day |
| 2350907 | 3-Years Total Onsite Service, Next Business Day |
| 2350908 | 4-Years Total Onsite Service, Next Business Day |
| 2350909 | 5-Years Total Onsite Service, Next Business Day |

| Part #  | User Replaceable Parts |
|---------|------------------------|
| 40X5472 | ADF Separator Pad      |
| 40X5471 | ADF Separator Roll     |
| 40X5804 | ADF Flatbed Cushion    |
| 40X5807 | ADF Maintenance Kit    |

| Part #  | Service Parts                             |
|---------|---|
| 40X5400 | E460, X46x Fuser Maintenance Kit 110-120V |



# Lexmark X466dwe

Solutions-ready, wireless 4-in-1 multifunction for small workgroups, includes a hard disk

## Print Technology

Monochrome Laser

### Function

Color Scanning, Copying, Faxing, Network Scanning, Printing

### Print Speed (Letter, Black)

Up to 40 ppm

### Print Speed (Letter, Black) Duplex

Up to 18 spm

### Time to First Page (Black)

As fast as 6.5 seconds

### Copy Speed (Letter, Black)

Up to 40 cpm

### Time to First Copy (Black)

As fast as <11 seconds

### Print Resolution, Black

1200 Image Quality, 1200 x 1200 dpi, 2400 Image

Quality, 600 x 600 dpi

### Scanning Resolution

600 X 600 dpi (black)

### Processor

500 Mhz

### Memory, Standard

256 MB

### Memory, Maximum

640 MB

### Expandable Memory Options

Yes

### Apple Macintosh Operating Systems Supported

Mac OS X (10.2 or later), Mac OS 9.2

### Citrix MetaFrame

Microsoft Windows 2000 Server running Terminal Services with Citrix Presentation Server 3.0, 4.0, Microsoft Windows Server 2003 running Terminal Services with Citrix Presentation Server 3.0, 4.0, 4.5, Microsoft Windows Server 2003 x64 running Terminal Services with Citrix Presentation Server 4.0 x64, 4.5 x64

### Linux Operating Systems Supported

Linpus Linux Desktop 9.2, 9.3, Red Hat Enterprise Linux WS 3.0, 4.0, 5.0, SUSE Linux Enterprise Server 8.0, 9.0, 10.0, SUSE Linux Enterprise Desktop 10, openSUSE 10.2, 10.3, 11.0, Linspire Linux 6.0, Debian GNU/Linux 4.0, Red Flag Linux Desktop 5.0, 6.0, Ubuntu 7.10, Ubuntu 8.04 LTS

### Microsoft Windows Operating Systems Supported

2000, XP, Server 2003, XP x64, Server 2003 running Terminal Services, 2000 Server running Terminal Services, Server 2003 x64, Server 2003 x64 running Terminal Services, Vista, Vista x64, Server 2008, Server 2008 x64, Server 2008 running Terminal Services, Server 2008 x64 running Terminal Services

### Novell Operating Systems Supported

Open Enterprise Server for Netware with NDS, iPrint or Novell Distributed Print Services (NDPS), NetWare 5.x, 6.x with iPrint or Novell Distributed Print Services (NDPS)

### UNIX Operating Systems Supported

Sun Solaris SPARC 8, 9, 10, Sun Solaris x86 10, HP-UX 11.11, 11.23, 11.31, IBM AIX 5.2, 5.3, 6.1

## Other Operating Systems Supported

IBM iSeries or IBM AS/400® Systems with TCP/IP with OS/400® V3R1 or later using OS/400 Host Print Transform, Virtually any platform supporting TCP/IP

### Paper Handling Standard

150-Sheet Output Bin, Integrated Duplex, 250-Sheet Input Tray, 50-Sheet Multipurpose Feeder

### Paper Handling Optional

550-Sheet Drawer, Only one drawer may be installed at a time, 250-Sheet Drawer

### Paper Input Capacity, Standard: Up to

300 pages 20 lb or 75 gsm bond

### Paper Input Capacity, Maximum: Up to

850 pages 20 lb or 75 gsm bond

### Paper Output Capacity, Standard: Up to

150 pages 20 lb or 75 gsm bond

### Paper Output Capacity, Maximum: Up to

150 pages 20 lb or 75 gsm bond

### ADF Paper Input Capacity

Up to 50 pages 20 lb or 75 gsm bond

### Finishing Option

No

### Number of Paper Inputs, Standard

2

### Number of Paper Inputs, Maximum

3

### Media Types Supported

Card Stock, Envelopes, Paper Labels, Plain Paper, Transparencies, Refer to the Card Stock & Label Guide

### Media Sizes Supported

10 Envelope, 7 3/4 Envelope, 9 Envelope, A4, A5, B5 Envelope, C5 Envelope, DL Envelope, A6 Card, Executive, Folio, JIS-B5, Legal, Letter, Statement, Universal, Oficio

### Standard Ports

Ethernet 10/100BaseTX (RJ-45), One Internal Card Slot, USB 2.0 Specification Hi-Speed Certified (Type B), 802.11b/g/n Wireless, Front USB 2.0 Specification Hi-Speed Certified Port (Type A), Rear USB 2.0 Specification Hi-Speed Certified Port (Type A)

### Optional Network Ports

External MarkNet™ N7020e Gigabit Ethernet, Internal MarkNet™ N8120 Gigabit Ethernet, Internal MarkNet™ N8130 Fiber Fast Ethernet

### Network Printing Methods

LPR/LPD, Direct IP (Port 9100), HTTP, Enhanced IP (Port 9400), FTP, TFTP, IPP 1.1 (Internet Printing Protocol), ThinPrint, print integration

### Network Protocol Support

TCP/IP IPv4, IPX/SPX, AppleTalk™, LexLink (DLC), TCP/IP IPv6, TCP, UDP

### Network Security

SNMPv3, 802.1x Authentication: MD5, MSCHAPv2, LEAP, PEAP, TLS, TTLS

## Printable Area

0.158 inches of the top, bottom, right and left edges (within)

### Printer Languages (Standard)

PCL 5e Emulation, PCL 6 Emulation, Personal Printer

Data Stream (PPDS), PostScript 3 Emulation, xHTML, PDF

1.6, Direct Image

### Reduce / Enlarge Range

25 - 400 %

### Scan Area, Maximum

8.5 x 14 inches

### Modem Speed

33.6 Kbps

## Supplies Yield

\*Average standard page yield value declared in accordance with ISO/IEC 19752., 9,000\*-page High Yield Toner Cartridge, 3,500\*-page Toner Cartridge, 15,000\*-page Extra High Yield Toner Cartridge

### Cartridge(s) Shipping with Product

7,000\*-page starter Return Program Toner Cartridge

### Packaged Size (in. - H x W x D)

24.61 x 23.62 x 20.08 in.

### Size (in. - H x W x D)

20.9 x 19.2 x 17.2 in.

### Size, Trays Extended (in. - H x W x D)

21.5 x 19.2 x 17.2 in.

### Weight (lb.)

50 lb.

### Noise Level, Idle

22 dBA

### Print Noise Level, Operating

53 dBA

### Copy Noise Level, Operating

53 dBA

### Scan Noise Level, Operating

49 dBA

### Product Warranty

1-Year Onsite Service, Next Business Day

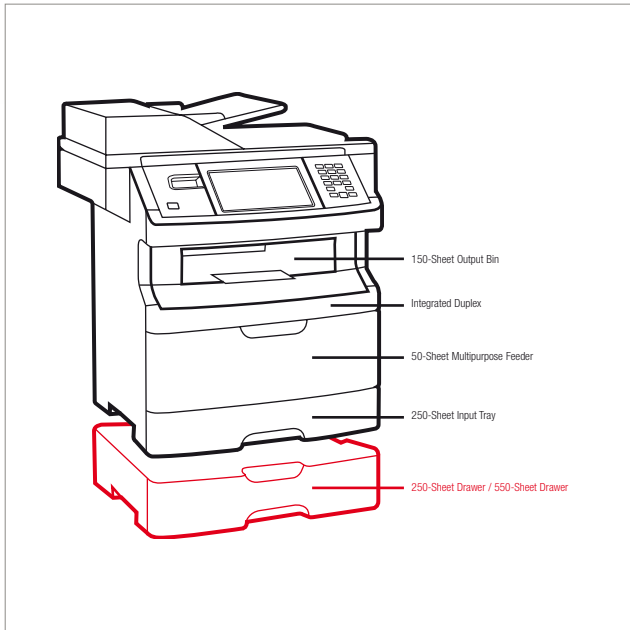
### Maximum Monthly Duty Cycle

Up to 80,000 pages per month

### Recommended Monthly Page Volume

2,000 - 10,000 pages





Paper Handling Standard  
 Paper Handling Optional

| Part #  | Model           |
|---------|-----------------|
| 13C1104 | Lexmark X466dwe |

| Part #   | Laser Toner/Print Cartridge                                      |
|----------|--|
| X463X11G | X463, X464, X466 Extra High Yield Return Program Toner Cartridge |
| X463H11G | X463, X464, X466 High Yield Return Program Toner Cartridge       |
| X463A11G | X463, X464, X466 Return Program Toner Cartridge                  |
| X463X21G | X463, X464, X466 Extra High Yield Toner Cartridge                |
| X463H21G | X463, X464, X466 High Yield Toner Cartridge                      |
| X463A21G | X463, X464, X466 Toner Cartridge                                 |
| E260X22G | E260, E360, E460, X264, X36x, X46x Photoconductor Kit            |

| Part #  | Paper & Transparencies                |
|---------|---------------------------------------|
| 70X7240 | Laser Printer Transparencies (Letter) |

| Part #  | Paper Handling   |
|---------|------------------|
| 34S0550 | 550-Sheet Drawer |
| 34S0250 | 250-Sheet Drawer |

| Part #  | Memory Options                |
|---------|-------------------------------|
| 1022298 | 128MB DDR1-DRAM               |
| 1022299 | 256MB DDR1-DRAM               |
| 1022301 | 512MB DDR1-DRAM               |
| 14F0245 | 256MB Flash Card              |
| 30G0828 | Japanese Font Card            |
| 30G0825 | Korean Font Card              |
| 30G0826 | Simplified Chinese Font Card  |
| 30G0827 | Traditional Chinese Font Card |

| Part #  | Application Solutions                    |
|---------|--|
| 30G0829 | Lexmark PrintCrypton Card                |
| 34S7721 | X463, X464, X466 Forms and Bar Code Card |
| 34S7720 | X466 Card for IPDS/SCS/TNE               |

| Part #  | Connectivity  |
|---------|---|
| 1021294 | USB Cable (2-meter)   |
| 14F0037 | MarkNet N8120 Gigabit Ethernet Print Server                   |
| 14F0042 | MarkNet N8130 Fiber Ethernet 100BaseFX, 10BaseFL Print Server |
| 14T0220 | MarkNet™ N7020e Gigabit Ethernet Print Server                 |
| 14F0000 | Parallel 1284-B Interface Card                                |
| 1021231 | Parallel Cable (10-foot)                                      |
| 14F0100 | RS-232C Serial Interface Card                                 |

| Part #  | Extended Warranties                             |
|---------|---|
| 2350906 | 2-Years Total Onsite Service, Next Business Day |
| 2350907 | 3-Years Total Onsite Service, Next Business Day |
| 2350908 | 4-Years Total Onsite Service, Next Business Day |
| 2350909 | 5-Years Total Onsite Service, Next Business Day |

| Part #  | User Replaceable Parts |
|---------|------------------------|
| 40X5472 | ADF Separator Pad      |

|         |                     |
|---------|---------------------|
| 40X5471 | ADF Separator Roll  |
| 40X5804 | ADF Flatbed Cushion |
| 40X5807 | ADF Maintenance Kit |

| Part #  | Service Parts                             |
|---------|---|
| 40X5400 | E460, X46x Fuser Maintenance Kit 110-120V |



# Lexmark X651de

High-performance 3-in-1 multifunction laser with print, copy and scan functions

## Print Technology

Monochrome Laser

## Function

Color Scanning, Copying, Network Scanning, Printing

## Print Speed (Letter, Black)

Up to 45 ppm

## Print Speed (Letter, Black) Duplex

Up to 30 spm

## Time to First Page (Black)

As fast as 8.0 seconds

## Copy Speed (Letter, Black)

Up to 45 cpm

## Time to First Copy (Black)

As fast as 7.5 seconds

## Print Resolution, Black

1200 Image Quality, 1200 x 1200 dpi, 2400 Image

Quality, 600 x 600 dpi

## Scanning Resolution

600 X 600 dpi (black)

## Processor

600 MHz

## Memory, Standard

256 MB

## Memory, Maximum

1280 MB

## Expandable Memory Options

Yes

## Apple Macintosh Operating Systems Supported

Mac OS X, Mac OS 9.2

## Citrix MetaFrame

Microsoft Windows 2000 Server running Terminal

Services with Citrix Presentation Server 3.0, 4.0,

Microsoft Windows Server 2003 running Terminal

Services with Citrix Presentation Server 3.0, 4.0, 4.5,

Microsoft Windows Server 2003 x64 running Terminal

Services with Citrix Presentation Server 4.0 x64, 4.5 x64

## Linux Operating Systems Supported

Linux Desktop 9.2, 9.3, Red Hat Enterprise Linux

WS 3.0, 4.0, 5.0, SUSE Linux Enterprise Server 8.0,

9.0, 10.0, SUSE Linux Enterprise Desktop 10, openSUSE

10.2, 10.3, 11.0, Linspire Linux 6.0, Debian GNU/Linux

4.0, Red Flag Linux Desktop 5.0, 6.0, Ubuntu 7.10,

Ubuntu 8.04 LTS

## Microsoft Windows Operating Systems Supported

2000, XP, Server 2003, XP x64, Server 2003 running

Terminal Services, 2000 Server running Terminal

Services, Server 2003 x64, Server 2003 x64 running

Terminal Services, Vista, Vista x64, Server 2008, Server

2008 x64, Server 2008 running Terminal Services, Server

2008 x64 running Terminal Services

## Novell Operating Systems Supported

Open Enterprise Server for Netware with NDS, iPrint or

Novell Distributed Print Services (NDPS), NetWare 5.x, 6.x

with iPrint or Novell Distributed Print Services (NDPS)

## UNIX Operating Systems Supported

Sun Solaris SPARC 8, 9, 10, Sun Solaris x86 10, HP-UX

11.11, 11.23, 11.31, IBM AIX 5.2, 5.3, 6.1

## Other Operating Systems Supported

IBM iSeries or IBM AS/400® Systems with TCP/IP with OS/400® V3R1 or later using OS/400 Host Print Transform, Virtually any platform supporting TCP/IP

## Paper Handling Standard

Integrated Duplex, 100-Sheet Multipurpose Feeder, 550-Sheet Input Tray, 550-Sheet Output Bin

## Paper Handling Optional

400-Sheet Universally Adjustable Tray with Drawer, 550-Sheet Drawer, 250-Sheet Drawer, Optional furniture required., 2,000-Sheet High-Capacity Feeder

## Paper Input Capacity, Standard: Up to

650 pages 20 lb or 75 gsm bond

## Paper Input Capacity, Maximum: Up to

3200 pages 20 lb or 75 gsm bond

## Paper Output Capacity, Standard: Up to

550 pages 20 lb or 75 gsm bond

## Paper Output Capacity, Maximum: Up to

550 pages 20 lb or 75 gsm bond

## ADF Paper Input Capacity

Up to 75 pages 20 lb or 75 gsm bond

## Finishing Option

No

## Number of Paper Inputs, Standard

2

## Number of Paper Inputs, Maximum

6

## Media Types Supported

Card Stock, Dual Web Labels, Envelopes, Integrated Labels, Paper Labels, Plain Paper, Polyester Labels, Transparencies, Vinyl Labels, Refer to the Card Stock & Label Guide

## Media Sizes Supported

10 Envelope, 7 3/4 Envelope, 9 Envelope, A4, A5,

DL Envelope, Executive, Folio, JIS-B5, Legal, Letter,

Statement, Universal, A6

## Standard Ports

Ethernet 10/100BaseTX (RJ-45), One Internal Card Slot, USB 2.0 Specification Hi-Speed Certified (Type B), USB Port (Type A) with USB 2.0 Specification, Front USB Port Compatible with USB 2.0 Specification (Type A)

## Optional Network Ports

Lexmark N4050e 802.11g Wireless Print Server (Print Only), External MarkNet™ N7020e Gigabit Ethernet, Internal MarkNet™ N8120 Gigabit Ethernet, Internal MarkNet™ N8130 Fiber Fast Ethernet, Internal MarkNet™ N8150 802.11b/g/n Wireless

## Network Printing Methods

LPR/LPD, Direct IP (Port 9100), Socket (Raw TCP/IP), HTTP, NDS Queue-based Printing, NDPS/NEPS (Novell Distributed Print Services, Novell Netware Enterprise Print Services), Enhanced IP (Port 9400), FTP, TFTP, IPP 1.1 (Internet Printing Protocol), ThinPrint .print integration

## Network Protocol Support

TCP/IP IPv4, IPX/SPX, AppleTalk™, LexLink (DLC), TCP/IP IPv6, TCP, UDP

## Network Security

SNMPv3, 802.1x Authentication: MD5, MSCHAPv2, LEAP, PEAP, TLS, TTLS, IPsec

## Printable Area

0.167 inches of the top, bottom, right and left edges (within)

## Printer Languages (Standard)

PCL 5e Emulation, PCL 6 Emulation, Personal Printer Data Stream (PPDS), PostScript 3 Emulation, xHTML, PDF 1.6, Direct Image, Microsoft XPS (XML Paper Specification)

## Reduce / Enlarge Range

25 - 400 %

## Scan Area, Maximum

8.5 x 14 inches

## Supplies Yield

25,000\*-page High Yield Print Cartridge, \*Average standard page yield value declared in accordance with ISO/IEC 19752., 7,000\*-page Print Cartridge

## Cartridge(s) Shipping with Product

7,000\*-page Return Program Print Cartridge

## Packaged Size (in. - H x W x D)

40.16 x 28.94 x 27.56 in.

## Size (in. - H x W x D)

29.7 x 21.6 x 24.1 in.

## Size, Trays Extended (in. - H x W x D)

29.7 x 21.6 x 31.1 in.

## Weight (lb.)

100 lb.

## Noise Level, Idle

29 dBA

## Print Noise Level, Operating

54 dBA

## Copy Noise Level, Operating

55 dBA

## Scan Noise Level, Operating

56 dBA

## Product Warranty

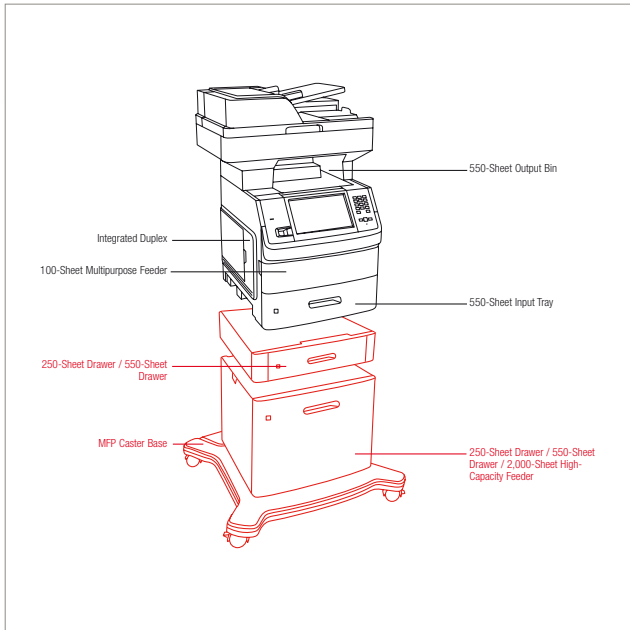
1-Year Onsite Service, Next Business Day

## Maximum Monthly Duty Cycle

Up to 200,000 pages per month

## Recommended Monthly Page Volume

3,000 - 20,000 pages



Paper Handling Standard  
 Paper Handling Optional

| Part #  | Model          |
|---------|----------------|
| 16M1255 | Lexmark X651de |

| Part #   | Laser Toner/Print Cartridge   |
|----------|---|
| X651H11A | X65x High Yield Return Program Print Cartridge                        |
| X651A11A | X65x Return Program Print Cartridge                                   |
| X651H04A | X65x High Yield Return Program Print Cartridge for Label Applications |
| X651H21A | X65x High Yield Print Cartridge                                       |
| X651A21A | X65x Print Cartridge  |

| Part #  | Paper & Transparencies                |
|---------|---------------------------------------|
| 70X7240 | Laser Printer Transparencies (Letter) |

| Part #  | Paper Handling   |
|---------|--|
| 30G0800 | 250-Sheet Drawer   |
| 30G0802 | 550-Sheet Drawer   |
| 30G0854 | 5 inch (12.7 cm) Spacer                                    |
| 30G0804 | 2000-Sheet High Capacity Feeder                            |
| 30G0871 | 200-Sheet Universally Adjustable Tray with Drawer          |
| 30G0860 | 400-Sheet Universally Adjustable Tray with Drawer          |
| 30G0849 | 550-Sheet Lockable Drawer                                  |
| 30G0836 | 200-Sheet Lockable Universally Adjustable Tray with Drawer |
| 30G0859 | 400-Sheet Lockable Universally Adjustable Tray with Drawer |

| Part #  | Furniture       |
|---------|-----------------|
| 16M1216 | MFP Caster Base |

| Part #  | MFP Options                 |
|---------|-----------------------------|
| 14F0052 | MarkNet N8110 V.34 Fax Card |

| Part #  | Memory Options                |
|---------|-------------------------------|
| 1025041 | 256MB DDR2-DRAM               |
| 1025042 | 512MB DDR2-DRAM               |
| 1025043 | 1024MB DDR2-DRAM              |
| 14F0245 | 256MB Flash Card              |
| 30G0828 | Japanese Font Card            |
| 30G0825 | Korean Font Card              |
| 30G0826 | Simplified Chinese Font Card  |
| 30G0827 | Traditional Chinese Font Card |
| 14F0102 | 80+GB Hard Disk               |

| Part #  | Application Solutions          |
|---------|--------------------------------|
| 30G0829 | Lexmark PrintCrypton Card      |
| 16M1254 | X65x Card for IPDS and SCS/TNe |
| 16M1253 | X65x Forms and Bar Code Card   |

| Part #  | Connectivity                                |
|---------|---|
| 1021294 | USB Cable (2-meter)                         |
| 1021231 | Parallel Cable (10-foot)                    |
| 14F0037 | MarkNet N8120 Gigabit Ethernet Print Server |

|         |   |
|---------|---|
| 14F0042 | MarkNet N8130 Fiber Ethernet 100BaseFX, 10BaseFL Print Server |
| 14F0040 | MarkNet N8150 802.11b/g/n Wireless Print Server               |
| 14T0145 | Lexmark N4050e 802.11g Wireless Print Server                  |
| 14T0220 | MarkNet™ N7020e Gigabit Ethernet Print Server                 |
| 14F0000 | Parallel 1284-B Interface Card                                |
| 14F0100 | RS-232C Serial Interface Card                                 |

| Part #  | Extended Warranties                              |
|---------|--|
| 2350539 | 2-Years Total Onsite Service, Next Business Day  |
| 2350540 | 3-Years Total Onsite Service, Next Business Day  |
| 2350541 | 4-Years Total Onsite Service, Next Business Day  |
| 2350542 | 5-Years Total Onsite Service, Next Business Day  |
| 2350543 | 1-Year Onsite Service Renewal, Next Business Day |

| Part #  | User Replaceable Parts                                   |
|---------|--|
| 40X4724 | T65x, X654e, X656e, X658e Fuser Maintenance Kit 110-120V |
| 40X2665 | Oil Fuser Wiper  |
| 40X2666 | Wax Fuser Wiper  |
| 40X4540 | ADF Pick Roll Assembly                                   |
| 40X3444 | ADF Platen Cushion                                       |
| 40X4605 | ADF Separator Roll and Guide                             |
| 40X5852 | Dual Charge Roll Assembly                                |
| 40X1886 | Transfer Roll Assembly                                   |
| 40X4308 | Pick Roll Assembly                                       |
| 40X4769 | X65x ADF Maintenance Kit                                 |



# Lexmark X652de

High-performance 4-in-1 multifunction laser with print, copy, scan and fax

## Print Technology

Monochrome Laser

## Function

Color Scanning, Copying, Faxing, Network Scanning, Printing

## Print Speed (Letter, Black)

Up to 45 ppm

## Print Speed (Letter, Black) Duplex

Up to 30 spm

## Time to First Page (Black)

As fast as 8.0 seconds

## Copy Speed (Letter, Black)

Up to 45 cpm

## Time to First Copy (Black)

As fast as 7.5 seconds

## Print Resolution, Black

1200 Image Quality, 1200 x 1200 dpi, 2400 Image

Quality, 600 x 600 dpi

## Scanning Resolution

600 X 600 dpi (black)

## Processor

600 Mhz

## Memory, Standard

256 MB

## Memory, Maximum

1280 MB

## Expandable Memory Options

Yes

## Apple Macintosh Operating Systems Supported

Mac OS X, Mac OS 9.2

## Citrix MetaFrame

Microsoft Windows 2000 Server running Terminal

Services with Citrix Presentation Server 3.0, 4.0,

Microsoft Windows Server 2003 running Terminal

Services with Citrix Presentation Server 3.0, 4.0, 4.5,

Microsoft Windows Server 2003 x64 running Terminal

Services with Citrix Presentation Server 4.0 x64, 4.5 x64

## Linux Operating Systems Supported

Linpus Linux Desktop 9.2, 9.3, Red Hat Enterprise Linux

WS 3.0, 4.0, 5.0, SUSE Linux Enterprise Server 8.0,

9.0, 10.0, SUSE Linux Enterprise Desktop 10, openSUSE

10.2, 10.3, 11.0, Linspire Linux 6.0, Debian GNU/Linux

4.0, Red Flag Linux Desktop 5.0, 6.0, Ubuntu 7.10,

Ubuntu 8.04 LTS

## Microsoft Windows Operating Systems Supported

2000, XP, Server 2003, XP x64, Server 2003 running

Terminal Services, 2000 Server running Terminal

Services, Server 2003 x64, Server 2003 x64 running

Terminal Services, Vista, Vista x64, Server 2008, Server

2008 x64, Server 2008 running Terminal Services, Server

2008 x64 running Terminal Services

## Novell Operating Systems Supported

Open Enterprise Server for Netware with NDS, iPrint or

Novell Distributed Print Services (NDPS), NetWare 5.x, 6.x

with iPrint or Novell Distributed Print Services (NDPS)

## UNIX Operating Systems Supported

Sun Solaris SPARC 8, 9, 10, Sun Solaris x86 10, HP-UX

11.11, 11.23, 11.31, IBM AIX 5.2, 5.3, 6.1

## Other Operating Systems Supported

IBM iSeries or IBM AS/400® Systems with TCP/IP with OS/400® V3R1 or later using OS/400 Host Print Transform, Virtually any platform supporting TCP/IP

## Paper Handling Standard

Integrated Duplex, 100-Sheet Multipurpose Feeder, 550-Sheet Input Tray, 550-Sheet Output Bin

## Paper Handling Optional

400-Sheet Universally Adjustable Tray with Drawer, 550-Sheet Drawer, 250-Sheet Drawer, Optional furniture required., 2,000-Sheet High-Capacity Feeder

## Paper Input Capacity, Standard: Up to

650 pages 20 lb or 75 gsm bond

## Paper Input Capacity, Maximum: Up to

3200 pages 20 lb or 75 gsm bond

## Paper Output Capacity, Standard: Up to

550 pages 20 lb or 75 gsm bond

## Paper Output Capacity, Maximum: Up to

550 pages 20 lb or 75 gsm bond

## ADF Paper Input Capacity

Up to 75 pages 20 lb or 75 gsm bond

## Finishing Option

No

## Number of Paper Inputs, Standard

2

## Number of Paper Inputs, Maximum

6

## Media Types Supported

Card Stock, Dual Web Labels, Envelopes, Integrated Labels, Paper Labels, Plain Paper, Polyester Labels, Transparencies, Vinyl Labels, Refer to the Card Stock & Label Guide

## Media Sizes Supported

10 Envelope, 7 3/4 Envelope, 9 Envelope, A4, A5,

DL Envelope, Executive, Folio, JIS-B5, Legal, Letter,

Statement, Universal, A6

## Standard Ports

Ethernet 10/100BaseTX (RJ-45), One Internal Card Slot, USB 2.0 Specification Hi-Speed Certified (Type B), USB

Port (Type A) compatible with USB 2.0 Specification, Front

USB Port Compatible with USB 2.0 Specification (Type A)

## Optional Network Ports

Lexmark N4050e 802.11g Wireless Print Server (Print Only), External MarkNet™ N7020e Gigabit Ethernet,

Internal MarkNet™ N8120 Gigabit Ethernet, Internal

MarkNet™ N8130 Fiber Fast Ethernet, Internal

MarkNet™ N8150 802.11b/g/n Wireless

## Network Printing Methods

LPR/LPD, Direct IP (Port 9100), Socket (Raw TCP/IP),

HTTP, NDS Queue-based Printing, NDPS/NEPS (Novell

Distributed Print Services, Novell Netware Enterprise Print

Services), Enhanced IP (Port 9400), FTP, TFTP, IPP 1.1

(Internet Printing Protocol), ThinPrint .print integration

## Network Protocol Support

TCP/IP IPv4, IPX/SPX, AppleTalk™, LexLink (DLC), TCP/IP IPv6, TCP, UDP

## Network Security

SNMPv3, 802.1x Authentication: MD5, MSCHAPv2, LEAP, PEAP, TLS, TTLS, IPsec

## Printable Area

0.167 inches of the top, bottom, right and left edges (within)

## Printer Languages (Standard)

PCL 5e Emulation, PCL 6 Emulation, Personal Printer Data Stream (PPDS), PostScript 3 Emulation, xHTML, PDF 1.6, Direct Image, Microsoft XPS (XML Paper Specification)

## Reduce / Enlarge Range

25 - 400 %

## Scan Area, Maximum

8.5 x 14 inches

## Modem Speed

33.6 Kbps

## Supplies Yield

25,000\*-page High Yield Print Cartridge, \*Average standard page yield value declared in accordance with

ISO/IEC 19752-, 7,000\*-page Print Cartridge

## Cartridge(s) Shipping with Product

7,000\*-page Return Program Print Cartridge

## Packaged Size (in. - H x W x D)

40.16 x 28.94 x 27.56 in.

## Size (in. - H x W x D)

29.7 x 21.6 x 24.1 in.

## Size, Trays Extended (in. - H x W x D)

29.7 x 21.6 x 31.1 in.

## Weight (lb.)

100 lb.

## Noise Level, Idle

29 dBA

## Print Noise Level, Operating

54 dBA

## Copy Noise Level, Operating

55 dBA

## Scan Noise Level, Operating

56 dBA

## Product Warranty

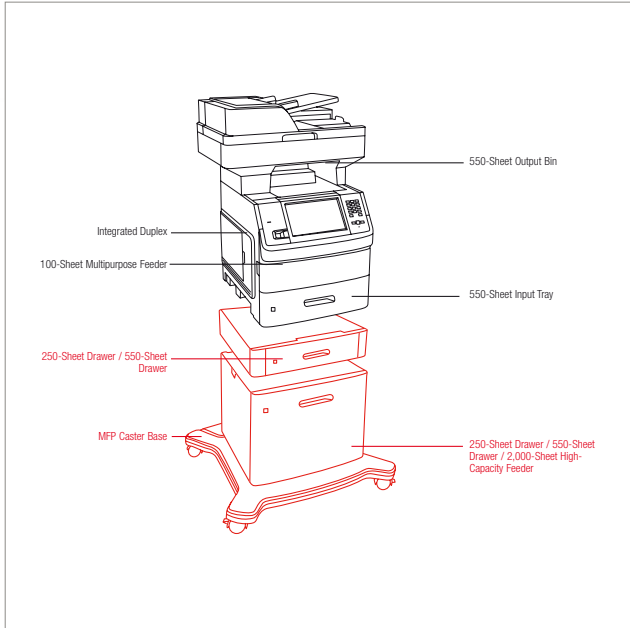
1-Year Onsite Service, Next Business Day

## Maximum Monthly Duty Cycle

Up to 200,000 pages per month

## Recommended Monthly Page Volume

3,000 - 20,000 pages



Paper Handling Standard  
 Paper Handling Optional

| Part #  | Model          |
|---------|----------------|
| 16M1260 | Lexmark X652de |

| Part #   | Laser Toner/Print Cartridge   |
|----------|---|
| X651H11A | X65x High Yield Return Program Print Cartridge                        |
| X651A11A | X65x Return Program Print Cartridge                                   |
| X651H04A | X65x High Yield Return Program Print Cartridge for Label Applications |
| X651H21A | X65x High Yield Print Cartridge                                       |
| X651A21A | X65x Print Cartridge  |

| Part #  | Paper & Transparencies                |
|---------|---------------------------------------|
| 70X7240 | Laser Printer Transparencies (Letter) |

| Part #  | Paper Handling   |
|---------|--|
| 30G0800 | 250-Sheet Drawer   |
| 30G0802 | 550-Sheet Drawer   |
| 30G0854 | 5 inch (12.7 cm) Spacer                                    |
| 30G0804 | 2000-Sheet High Capacity Feeder                            |
| 30G0871 | 200-Sheet Universally Adjustable Tray with Drawer          |
| 30G0860 | 400-Sheet Universally Adjustable Tray with Drawer          |
| 30G0849 | 550-Sheet Lockable Drawer                                  |
| 30G0836 | 200-Sheet Lockable Universally Adjustable Tray with Drawer |
| 30G0859 | 400-Sheet Lockable Universally Adjustable Tray with Drawer |

| Part #  | Furniture       |
|---------|-----------------|
| 16M1216 | MFP Caster Base |

| Part #  | Memory Options                |
|---------|-------------------------------|
| 1025041 | 256MB DDR2-DRAM               |
| 1025042 | 512MB DDR2-DRAM               |
| 1025043 | 1024MB DDR2-DRAM              |
| 14F0245 | 256MB Flash Card              |
| 14F0102 | 80+GB Hard Disk               |
| 30G0828 | Japanese Font Card            |
| 30G0825 | Korean Font Card              |
| 30G0826 | Simplified Chinese Font Card  |
| 30G0827 | Traditional Chinese Font Card |

| Part #  | Application Solutions          |
|---------|--------------------------------|
| 30G0829 | Lexmark PrintCrypton Card      |
| 16M1254 | X65x Card for IPDS and SCS/TNe |
| 16M1253 | X65x Forms and Bar Code Card   |

| Part #  | Connectivity  |
|---------|---|
| 1021294 | USB Cable (2-meter)   |
| 1021231 | Parallel Cable (10-foot)                                      |
| 14F0037 | MarkNet N8120 Gigabit Ethernet Print Server                   |
| 14F0042 | MarkNet N8130 Fiber Ethernet 100BaseFX, 10BaseFL Print Server |
| 14F0040 | MarkNet N8150 802.11b/g/n Wireless Print Server               |
| 14T0145 | Lexmark N4050e 802.11g Wireless Print Server                  |

|         |   |
|---------|---|
| 14T0220 | MarkNet™ N7020e Gigabit Ethernet Print Server |
| 14F0000 | Parallel 1284-B Interface Card                |
| 14F0100 | RS-232C Serial Interface Card                 |

| Part #  | Extended Warranties                              |
|---------|--|
| 2350539 | 2-Years Total Onsite Service, Next Business Day  |
| 2350540 | 3-Years Total Onsite Service, Next Business Day  |
| 2350541 | 4-Years Total Onsite Service, Next Business Day  |
| 2350542 | 5-Years Total Onsite Service, Next Business Day  |
| 2350543 | 1-Year Onsite Service Renewal, Next Business Day |

| Part #  | User Replaceable Parts                                   |
|---------|--|
| 40X4724 | T65x, X654e, X656e, X658e Fuser Maintenance Kit 110-120V |
| 40X2665 | Oil Fuser Wiper  |
| 40X2666 | Wax Fuser Wiper  |
| 40X4540 | ADF Pick Roll Assembly                                   |
| 40X3444 | ADF Platen Cushion                                       |
| 40X4605 | ADF Separator Roll and Guide                             |
| 40X5852 | Dual Charge Roll Assembly                                |
| 40X1886 | Transfer Roll Assembly                                   |
| 40X4308 | Pick Roll Assembly                                       |
| 40X4769 | X65x ADF Maintenance Kit                                 |



# Lexmark X654de

Robust, high-performance multifunction laser designed for superior output management and efficiency

## Print Technology

Monochrome Laser

## Function

Color Scanning, Copying, Faxing, Network Scanning, Printing

## Print Speed (Letter, Black)

Up to 55 ppm

## Print Speed (Letter, Black) Duplex

Up to 37 spm

## Time to First Page (Black)

As fast as 9.5 seconds

## Copy Speed (Letter, Black)

Up to 55 cpm

## Time to First Copy (Black)

As fast as 7.5 seconds

## Print Resolution, Black

1200 Image Quality, 1200 x 1200 dpi, 2400 Image Quality, 600 x 600 dpi

## Scanning Resolution

600 X 600 dpi (black)

## Processor

600 Mhz

## Memory, Standard

256 MB

## Memory, Maximum

1280 MB

## Expandable Memory Options

Yes

## Apple Macintosh Operating Systems Supported

Mac OS X, Mac OS 9.2

## Citrix MetaFrame

Microsoft Windows 2000 Server running Terminal Services with Citrix Presentation Server 3.0, 4.0, Microsoft Windows Server 2003 running Terminal Services with Citrix Presentation Server 3.0, 4.0, 4.5, Microsoft Windows Server 2003 x64 running Terminal Services with Citrix Presentation Server 4.0 x64, 4.5 x64

## Linux Operating Systems Supported

Linpus Linux Desktop 9.2, 9.3, Red Hat Enterprise Linux WS 3.0, 4.0, 5.0, SUSE Linux Enterprise Server 8.0, 9.0, 10.0, SUSE Linux Enterprise Desktop 10, openSUSE 10.2, 10.3, 11.0, Linspire Linux 6.0, Debian GNU/Linux 4.0, Red Flag Linux Desktop 5.0, 6.0, Ubuntu 7.10, Ubuntu 8.04 LTS

## Microsoft Windows Operating Systems Supported

2000, XP, Server 2003, XP x64, Server 2003 running Terminal Services, 2000 Server running Terminal Services, Server 2003 x64, Server 2003 x64 running Terminal Services, Vista, Vista x64, Server 2008, Server 2008 x64, Server 2008 running Terminal Services, Server 2008 x64 running Terminal Services

## Novell Operating Systems Supported

Open Enterprise Server for Netware with NDS, iPrint or Novell Distributed Print Services (NDPS), NetWare 5.x, 6.x with iPrint or Novell Distributed Print Services (NDPS)

## UNIX Operating Systems Supported

Sun Solaris SPARC 8, 9, 10, Sun Solaris x86 10, HP-LUX 11.11, 11.23, 11.31, IBM AIX 5.2, 5.3, 6.1

## Other Operating Systems Supported

IBM iSeries or IBM AS/400® Systems with TCP/IP with OS/400® V3R1 or later using OS/400 Host Print Transform, Virtually any platform supporting TCP/IP

## Paper Handling Standard

Integrated Duplex, 100-Sheet Multipurpose Feeder, 550-Sheet Input Tray, 550-Sheet Output Bin

## Paper Handling Optional

400-Sheet Universally Adjustable Tray with Drawer, 550-Sheet Drawer, 250-Sheet Drawer, Optional furniture required., 2,000-Sheet High-Capacity Feeder

## Paper Input Capacity, Standard: Up to

650 pages 20 lb or 75 gsm bond

## Paper Input Capacity, Maximum: Up to

3200 pages 20 lb or 75 gsm bond

## Paper Output Capacity, Standard: Up to

550 pages 20 lb or 75 gsm bond

## Paper Output Capacity, Maximum: Up to

550 pages 20 lb or 75 gsm bond

## ADF Paper Input Capacity

Up to 75 pages 20 lb or 75 gsm bond

## Finishing Option

No

## Number of Paper Inputs, Standard

2

## Number of Paper Inputs, Maximum

6

## Media Types Supported

Card Stock, Dual Web Labels, Envelopes, Integrated Labels, Paper Labels, Plain Paper, Polyester Labels, Transparencies, Vinyl Labels, Refer to the Card Stock & Label Guide

## Media Sizes Supported

10 Envelope, 7 3/4 Envelope, 9 Envelope, A4, A5, DL Envelope, Executive, Folio, JIS-B5, Legal, Letter, Statement, Universal, A6

## Standard Ports

Ethernet 10/100BaseTX (RJ-45), One Internal Card Slot, USB 2.0 Specification Hi-Speed Certified (Type B), USB Port (Type A) compatible with USB 2.0 Specification, Front USB Port Compatible with USB 2.0 Specification (Type A)

## Optional Network Ports

Lexmark N4050e 802.11g Wireless Print Server (Print Only), External MarkNet™ N7020e Gigabit Ethernet, Internal MarkNet™ N8120 Gigabit Ethernet, Internal MarkNet™ N8130 Fiber Fast Ethernet, Internal MarkNet™ N8150 802.11b/g/n Wireless

## Network Printing Methods

LPR/LPD, Direct IP (Port 9100), Socket (Raw TCP/IP), HTTP, NDS Queue-based Printing, NDPS/NEPS (Novell Distributed Print Services, Novell Netware Enterprise Print Services), Enhanced IP (Port 9400), FTP, TFTP, IPP 1.1 (Internet Printing Protocol), ThinPrint .print integration

## Network Protocol Support

TCP/IP IPv4, IPX/SPX, AppleTalk™, LexLink (DLC), TCP/IP IPv6, TCP, UDP

## Network Security

SNMPv3, 802.1x Authentication: MD5, MSCHAPv2, LEAP, PEAP, TLS, TTLS, IPsec

## Printable Area

0.167 inches of the top, bottom, right and left edges (within)

## Printer Languages (Standard)

PCL 5e Emulation, PCL 6 Emulation, Personal Printer Data Stream (PPDS), PostScript 3 Emulation, xHTML, PDF 1.6, Direct Image, Microsoft XPS (XML Paper Specification)

## Reduce / Enlarge Range

25 - 400 %

## Scan Area, Maximum

8.5 x 14 inches

## Modem Speed

33.6 Kbps

## Supplies Yield

25,000\*-page High Yield Print Cartridge, \*Average standard page yield value declared in accordance with ISO/IEC 19752-, 7,000\*-page Print Cartridge, 36,000\*-page Extra High Yield Print Cartridge

## Cartridge(s) Shipping with Product

18,000\*-page starter Return Program Print Cartridge

## Packaged Size (in. - H x W x D)

40.16 x 28.94 x 27.56 in.

## Size (in. - H x W x D)

29.7 x 21.6 x 24.1 in.

## Size, Trays Extended (in. - H x W x D)

29.7 x 21.6 x 31.1 in.

## Weight (lb.)

100 lb.

## Noise Level, Idle

29 dBA

## Print Noise Level, Operating

56 dBA

## Copy Noise Level, Operating

56 dBA

## Scan Noise Level, Operating

55 dBA

## Product Warranty

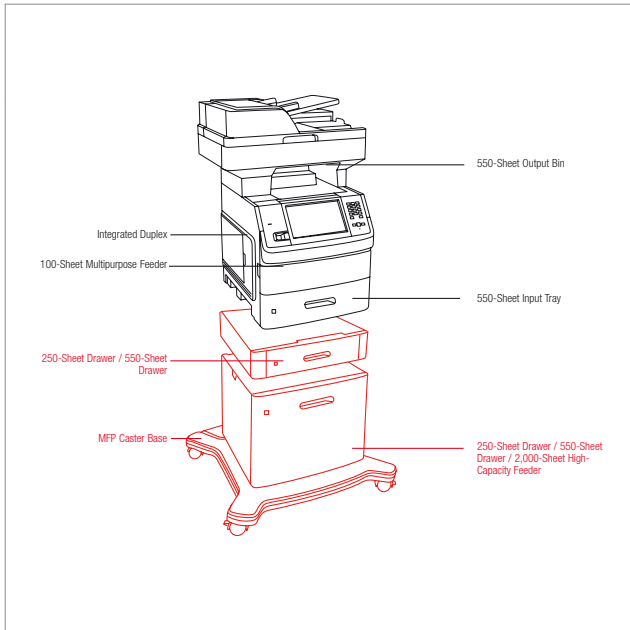
1-Year Onsite Service, Next Business Day

## Maximum Monthly Duty Cycle

Up to 275,000 pages per month

## Recommended Monthly Page Volume

5,000 - 30,000 pages



Paper Handling Standard  
 Paper Handling Optional

| Part #  | Model          |
|---------|----------------|
| 16M1265 | Lexmark X654de |

| Part #   | Laser Toner/Print Cartridge   |
|----------|---|
| X654X11A | X654, X656, X658 Extra High Yield Return Program Print Cartridge                        |
| X651H11A | X65x High Yield Return Program Print Cartridge  |
| X651A11A | X65x Return Program Print Cartridge   |
| X654X04A | X654, X656, X658 Extra High Yield Return Program Print Cartridge for Label Applications |
| X651H04A | X65x High Yield Return Program Print Cartridge for Label Applications                   |
| X654X21A | X654, X656, X658 Extra High Yield Print Cartridge                                       |
| X651H21A | X65x High Yield Print Cartridge   |
| X651A21A | X65x Print Cartridge  |

| Part #  | Paper & Transparencies                |
|---------|---------------------------------------|
| 70X7240 | Laser Printer Transparencies (Letter) |

| Part #  | Paper Handling   |
|---------|--|
| 30G0800 | 250-Sheet Drawer   |
| 30G0802 | 550-Sheet Drawer   |
| 30G0854 | 5 inch (12.7 cm) Spacer                                    |
| 30G0804 | 2000-Sheet High Capacity Feeder                            |
| 30G0871 | 200-Sheet Universally Adjustable Tray with Drawer          |
| 30G0860 | 400-Sheet Universally Adjustable Tray with Drawer          |
| 30G0849 | 550-Sheet Lockable Drawer                                  |
| 30G0836 | 200-Sheet Lockable Universally Adjustable Tray with Drawer |
| 30G0859 | 400-Sheet Lockable Universally Adjustable Tray with Drawer |

| Part #  | Furniture       |
|---------|-----------------|
| 16M1216 | MFP Caster Base |

| Part #  | Memory Options                |
|---------|-------------------------------|
| 1025041 | 256MB DDR2-DRAM               |
| 1025042 | 512MB DDR2-DRAM               |
| 1025043 | 1024MB DDR2-DRAM              |
| 14F0245 | 256MB Flash Card              |
| 30G0828 | Japanese Font Card            |
| 30G0825 | Korean Font Card              |
| 30G0826 | Simplified Chinese Font Card  |
| 30G0827 | Traditional Chinese Font Card |
| 14F0102 | 80+GB Hard Disk               |

| Part #  | Application Solutions          |
|---------|--------------------------------|
| 30G0829 | Lexmark PrintCrypton Card      |
| 16M1254 | X65x Card for IPDS and SCS/TNe |
| 16M1253 | X65x Forms and Bar Code Card   |

| Part #  | Connectivity             |
|---------|--------------------------|
| 1021294 | USB Cable (2-meter)      |
| 1021231 | Parallel Cable (10-foot) |

|         |   |
|---------|---|
| 14F0037 | MarkNet N8120 Gigabit Ethernet Print Server                   |
| 14F0042 | MarkNet N8130 Fiber Ethernet 100BaseFX, 10BaseFL Print Server |
| 14F0040 | MarkNet N8150 802.11b/g/n Wireless Print Server               |
| 14T0145 | Lexmark N4050e 802.11g Wireless Print Server                  |
| 14T0220 | MarkNet™ N7020e Gigabit Ethernet Print Server                 |
| 14F0000 | Parallel 1284-B Interface Card                                |
| 14F0100 | RS-232C Serial Interface Card                                 |

| Part #  | Extended Warranties                              |
|---------|--|
| 2350557 | 2-Years Total Onsite Service, Next Business Day  |
| 2350558 | 3-Years Total Onsite Service, Next Business Day  |
| 2350559 | 4-Years Total Onsite Service, Next Business Day  |
| 2350560 | 5-Years Total Onsite Service, Next Business Day  |
| 2350561 | 1-Year Onsite Service Renewal, Next Business Day |

| Part #  | User Replaceable Parts                                   |
|---------|--|
| 40X4724 | T65x, X654e, X656e, X658e Fuser Maintenance Kit 110-120V |
| 40X2665 | Oil Fuser Wiper  |
| 40X2666 | Wax Fuser Wiper  |
| 40X4540 | ADF Pick Roll Assembly                                   |
| 40X3444 | ADF Platen Cushion                                       |
| 40X4605 | ADF Separator Roll and Guide                             |
| 40X5852 | Dual Charge Roll Assembly                                |
| 40X1886 | Transfer Roll Assembly                                   |
| 40X4308 | Pick Roll Assembly                                       |
| 40X4769 | X65x ADF Maintenance Kit                                 |



# Lexmark X656de

Robust, high-performance multifunction laser designed for superior output management and efficiency, includes a hard disk

## Print Technology

Monochrome Laser

### Function

Color Scanning, Copying, Faxing, Network Scanning, Printing

### Print Speed (Letter, Black)

Up to 55 ppm

### Print Speed (Letter, Black) Duplex

Up to 37 spm

### Time to First Page (Black)

As fast as 9.5 seconds

### Copy Speed (Letter, Black)

Up to 55 cpm

### Time to First Copy (Black)

As fast as 7.5 seconds

### Print Resolution, Black

1200 Image Quality, 1200 x 1200 dpi, 2400 Image Quality, 600 x 600 dpi

### Scanning Resolution

600 X 600 dpi (black)

### Processor

600 Mhz

### Memory, Standard

256 MB

### Memory, Maximum

1280 MB

### Expandable Memory Options

Yes

### Apple Macintosh Operating Systems Supported

Mac OS X, Mac OS 9.2

### Citrix MetaFrame

Microsoft Windows 2000 Server running Terminal Services with Citrix Presentation Server 3.0, 4.0, Microsoft Windows Server 2003 running Terminal Services with Citrix Presentation Server 3.0, 4.0, 4.5, Microsoft Windows Server 2003 x64 running Terminal Services with Citrix Presentation Server 4.0 x64, 4.5 x64

### Linux Operating Systems Supported

Linpus Linux Desktop 9.2, 9.3, Red Hat Enterprise Linux WS 3.0, 4.0, 5.0, SUSE Linux Enterprise Server 8.0, 9.0, 10.0, SUSE Linux Enterprise Desktop 10, openSUSE 10.2, 10.3, 11.0, Linspire Linux 6.0, Debian GNU/Linux 4.0, Red Flag Linux Desktop 5.0, 6.0, Ubuntu 7.10, Ubuntu 8.04 LTS

### Microsoft Windows Operating Systems Supported

2000, XP, Server 2003, XP x64, Server 2003 running Terminal Services, 2000 Server running Terminal Services, Server 2003 x64, Server 2003 x64 running Terminal Services, Vista, Vista x64, Server 2008, Server 2008 x64, Server 2008 running Terminal Services, Server 2008 x64 running Terminal Services

### Novell Operating Systems Supported

Open Enterprise Server for Netware with NDS, iPrint or Novell Distributed Print Services (NDPS), NetWare 5.x, 6.x with iPrint or Novell Distributed Print Services (NDPS)

### UNIX Operating Systems Supported

Sun Solaris SPARC 8, 9, 10, Sun Solaris x86 10, HP-LUX 11.11, 11.23, 11.31, IBM AIX 5.2, 5.3, 6.1

## Other Operating Systems Supported

IBM iSeries or IBM AS/400® Systems with TCP/IP with OS/400® V3R1 or later using OS/400 Host Print Transform, Virtually any platform supporting TCP/IP

### Paper Handling Standard

Integrated Duplex, 100-Sheet Multipurpose Feeder, 550-Sheet Input Tray, 550-Sheet Output Bin

### Paper Handling Optional

400-Sheet Universally Adjustable Tray with Drawer, 550-Sheet Drawer, 250-Sheet Drawer, Optional furniture required., 2,000-Sheet High-Capacity Feeder

### Paper Input Capacity, Standard: Up to

650 pages 20 lb or 75 gsm bond

### Paper Input Capacity, Maximum: Up to

3200 pages 20 lb or 75 gsm bond

### Paper Output Capacity, Standard: Up to

550 pages 20 lb or 75 gsm bond

### Paper Output Capacity, Maximum: Up to

550 pages 20 lb or 75 gsm bond

### ADF Paper Input Capacity

Up to 75 pages 20 lb or 75 gsm bond

### Finishing Option

No

### Number of Paper Inputs, Standard

2

### Number of Paper Inputs, Maximum

6

### Media Types Supported

Card Stock, Dual Web Labels, Envelopes, Integrated Labels, Paper Labels, Plain Paper, Polyester Labels, Transparencies, Vinyl Labels, Refer to the Card Stock & Label Guide

### Media Sizes Supported

10 Envelope, 7 3/4 Envelope, 9 Envelope, A4, A5, DL Envelope, Executive, Folio, JIS-B5, Legal, Letter, Statement, Universal, A6

## Standard Ports

Ethernet 10/100BaseTX (RJ-45), One Internal Card Slot, USB 2.0 Specification Hi-Speed Certified (Type B), USB Port (Type A) compatible with USB 2.0 Specification, Front USB Port Compatible with USB 2.0 Specification (Type A)

## Optional Network Ports

Lexmark N4050e 802.11g Wireless Print Server (Print Only), External MarkNet™ N7020e Gigabit Ethernet, Internal MarkNet™ N8120 Gigabit Ethernet, Internal MarkNet™ N8130 Fiber Fast Ethernet, Internal MarkNet™ N8150 802.11b/g/n Wireless

## Network Printing Methods

LPR/LPD, Direct IP (Port 9100), Socket (Raw TCP/IP), HTTP, NDS Queue-based Printing, NDPS/NEPS (Novell Distributed Print Services, Novell Netware Enterprise Print Services), Enhanced IP (Port 9400), FTP, TFTP, IPP 1.1 (Internet Printing Protocol), ThinPrint .print integration

## Network Protocol Support

TCP/IP IPv4, IPX/SPX, AppleTalk™, LexLink (DLC), TCP/IP IPv6, TCP, UDP

## Network Security

SNMPv3, 802.1x Authentication: MD5, MSCHAPv2, LEAP, PEAP, TLS, TTLS, IPsec

## Printable Area

0.167 inches of the top, bottom, right and left edges (within)

## Printer Languages (Standard)

PCL 5e Emulation, PCL 6 Emulation, Personal Printer Data Stream (PPDS), PostScript 3 Emulation, xHTML, PDF 1.6, Direct Image, Microsoft XPS (XML Paper Specification)

## Reduce / Enlarge Range

25 - 400 %

## Scan Area, Maximum

8.5 x 14 inches

## Modem Speed

33.6 Kbps

## Supplies Yield

25,000\*-page High Yield Print Cartridge, \*Average standard page yield value declared in accordance with ISO/IEC 19752-, 7,000\*-page Print Cartridge, 36,000\*-page Extra High Yield Print Cartridge

## Cartridge(s) Shipping with Product

18,000\*-page starter Return Program Print Cartridge

## Packaged Size (in. - H x W x D)

40.16 x 28.94 x 27.56 in.

## Size (in. - H x W x D)

29.7 x 21.6 x 24.1 in.

## Size, Trays Extended (in. - H x W x D)

29.7 x 21.6 x 31.1 in.

## Weight (lb.)

100 lb.

## Noise Level, Idle

29 dBA

## Print Noise Level, Operating

56 dBA

## Copy Noise Level, Operating

56 dBA

## Scan Noise Level, Operating

55 dBA

## Product Warranty

1-Year Onsite Service, Next Business Day

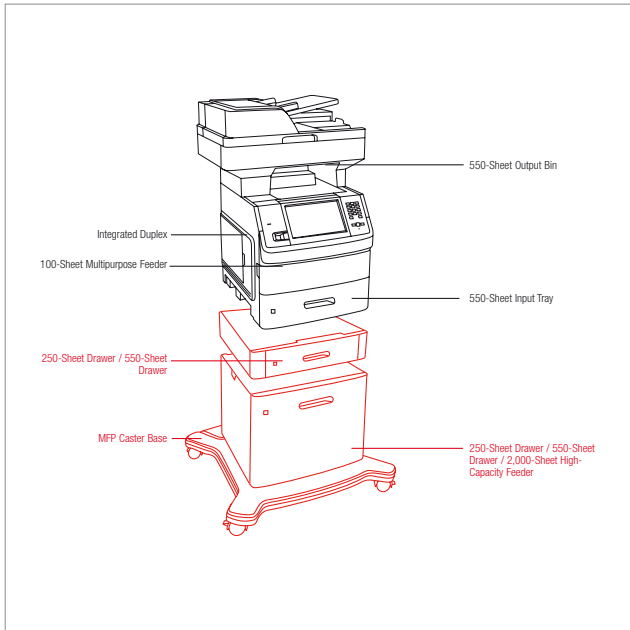
## Maximum Monthly Duty Cycle

Up to 275,000 pages per month

## Recommended Monthly Page Volume

5,000 - 30,000 pages





Paper Handling Standard  
 Paper Handling Optional

| Part #  | Model          |
|---------|----------------|
| 16M1797 | Lexmark X656de |

| Part #   | Laser Toner/Print Cartridge   |
|----------|---|
| X654X11A | X654, X656, X658 Extra High Yield Return Program Print Cartridge                        |
| X651H11A | X65x High Yield Return Program Print Cartridge  |
| X651A11A | X65x Return Program Print Cartridge   |
| X654X04A | X654, X656, X658 Extra High Yield Return Program Print Cartridge for Label Applications |
| X651H04A | X65x High Yield Return Program Print Cartridge for Label Applications                   |
| X654X21A | X654, X656, X658 Extra High Yield Print Cartridge                                       |
| X651H21A | X65x High Yield Print Cartridge   |
| X651A21A | X65x Print Cartridge  |

| Part #  | Paper & Transparencies                |
|---------|---------------------------------------|
| 70X7240 | Laser Printer Transparencies (Letter) |

| Part #  | Paper Handling   |
|---------|--|
| 30G0800 | 250-Sheet Drawer   |
| 30G0802 | 550-Sheet Drawer   |
| 30G0854 | 5 inch (12.7 cm) Spacer                                    |
| 30G0804 | 2000-Sheet High Capacity Feeder                            |
| 30G0871 | 200-Sheet Universally Adjustable Tray with Drawer          |
| 30G0860 | 400-Sheet Universally Adjustable Tray with Drawer          |
| 30G0849 | 550-Sheet Lockable Drawer                                  |
| 30G0836 | 200-Sheet Lockable Universally Adjustable Tray with Drawer |
| 30G0859 | 400-Sheet Lockable Universally Adjustable Tray with Drawer |

| Part #  | Furniture       |
|---------|-----------------|
| 16M1216 | MFP Caster Base |

| Part #  | Memory Options                |
|---------|-------------------------------|
| 1025041 | 256MB DDR2-DRAM               |
| 1025042 | 512MB DDR2-DRAM               |
| 1025043 | 1024MB DDR2-DRAM              |
| 14F0245 | 256MB Flash Card              |
| 30G0828 | Japanese Font Card            |
| 30G0825 | Korean Font Card              |
| 30G0826 | Simplified Chinese Font Card  |
| 30G0827 | Traditional Chinese Font Card |

| Part #  | Application Solutions          |
|---------|--------------------------------|
| 30G0829 | Lexmark PrintCrypton Card      |
| 16M1254 | X65x Card for IPDS and SCS/TNe |
| 16M1253 | X65x Forms and Bar Code Card   |

| Part #  | Connectivity                                |
|---------|---|
| 1021294 | USB Cable (2-meter)                         |
| 1021231 | Parallel Cable (10-foot)                    |
| 14F0037 | MarkNet N8120 Gigabit Ethernet Print Server |

|         |   |
|---------|---|
| 14F0042 | MarkNet N8130 Fiber Ethernet 100BaseFX, 10BaseFL Print Server |
| 14F0040 | MarkNet N8150 802.11b/g/n Wireless Print Server               |
| 14T0145 | Lexmark N4050e 802.11g Wireless Print Server                  |
| 14T0220 | MarkNet™ N7020e Gigabit Ethernet Print Server                 |
| 14F0000 | Parallel 1284-B Interface Card                                |
| 14F0100 | RS-232C Serial Interface Card                                 |

| Part #  | Extended Warranties                              |
|---------|--|
| 2350557 | 2-Years Total Onsite Service, Next Business Day  |
| 2350558 | 3-Years Total Onsite Service, Next Business Day  |
| 2350559 | 4-Years Total Onsite Service, Next Business Day  |
| 2350560 | 5-Years Total Onsite Service, Next Business Day  |
| 2350561 | 1-Year Onsite Service Renewal, Next Business Day |

| Part #  | User Replaceable Parts                                   |
|---------|--|
| 40X4724 | T65x, X654e, X656e, X658e Fuser Maintenance Kit 110-120V |
| 40X2665 | Oil Fuser Wiper  |
| 40X2666 | Wax Fuser Wiper  |
| 40X4540 | ADF Pick Roll Assembly                                   |
| 40X3444 | ADF Platen Cushion                                       |
| 40X4605 | ADF Separator Roll and Guide                             |
| 40X5852 | Dual Charge Roll Assembly                                |
| 40X1886 | Transfer Roll Assembly                                   |
| 40X4308 | Pick Roll Assembly                                       |
| 40X4769 | X65x ADF Maintenance Kit                                 |



# Lexmark X656dte

Robust, high-performance multifunction laser designed for superior output management and efficiency, includes a hard disk and extra input capacity

## Print Technology

Monochrome Laser

## Function

Color Scanning, Copying, Faxing, Network Scanning, Printing

## Print Speed (Letter, Black)

Up to 55 ppm

## Print Speed (Letter, Black) Duplex

Up to 37 spm

## Time to First Page (Black)

As fast as 9.5 seconds

## Copy Speed (Letter, Black)

Up to 55 cpm

## Time to First Copy (Black)

As fast as 7.5 seconds

## Print Resolution, Black

1200 Image Quality, 1200 x 1200 dpi, 2400 Image Quality, 600 x 600 dpi

## Scanning Resolution

600 X 600 dpi (black)

## Processor

600 Mhz

## Memory, Standard

256 MB

## Memory, Maximum

1280 MB

## Expandable Memory Options

Yes

## Apple Macintosh Operating Systems Supported

Mac OS X, Mac OS 9.2

## Citrix MetaFrame

Microsoft Windows 2000 Server running Terminal Services with Citrix Presentation Server 3.0, 4.0, Microsoft Windows Server 2003 running Terminal Services with Citrix Presentation Server 3.0, 4.0, 4.5, Microsoft Windows Server 2003 x64 running Terminal Services with Citrix Presentation Server 4.0 x64, 4.5 x64

## Linux Operating Systems Supported

Linpus Linux Desktop 9.2, 9.3, Red Hat Enterprise Linux WS 3.0, 4.0, 5.0, SUSE Linux Enterprise Server 8.0, 9.0, 10.0, SUSE Linux Enterprise Desktop 10, openSUSE 10.2, 10.3, 11.0, Linspire Linux 6.0, Debian GNU/Linux 4.0, Red Flag Linux Desktop 5.0, 6.0, Ubuntu 7.10, Ubuntu 8.04 LTS

## Microsoft Windows Operating Systems Supported

2000, XP, Server 2003, XP x64, Server 2003 running Terminal Services, 2000 Server running Terminal Services, Server 2003 x64, Server 2003 x64 running Terminal Services, Vista, Vista x64, Server 2008, Server 2008 x64, Server 2008 running Terminal Services, Server 2008 x64 running Terminal Services

## Novell Operating Systems Supported

Open Enterprise Server for Netware with NDS, iPrint or Novell Distributed Print Services (NDPS), NetWare 5.x, 6.x with iPrint or Novell Distributed Print Services (NDPS)

## UNIX Operating Systems Supported

Sun Solaris SPARC 8, 9, 10, Sun Solaris x86 10, HP-LUX 11.11, 11.23, 11.31, IBM AIX 5.2, 5.3, 6.1

## Other Operating Systems Supported

IBM iSeries or IBM AS/400® Systems with TCP/IP with OS/400® V3R1 or later using OS/400 Host Print Transform, Virtually any platform supporting TCP/IP

## Paper Handling Standard

Integrated Duplex, 100-Sheet Multipurpose Feeder, 550-Sheet Drawer, 550-Sheet Input Tray, 550-Sheet Output Bin

## Paper Handling Optional

400-Sheet Universally Adjustable Tray with Drawer, 550-Sheet Drawer, 250-Sheet Drawer, Optional furniture required., 2,000-Sheet High-Capacity Feeder

## Paper Input Capacity, Standard: Up to

1200 pages 20 lb or 75 gsm bond

## Paper Input Capacity, Maximum: Up to

3200 pages 20 lb or 75 gsm bond

## Paper Output Capacity, Standard: Up to

550 pages 20 lb or 75 gsm bond

## Paper Output Capacity, Maximum: Up to

550 pages 20 lb or 75 gsm bond

## ADF Paper Input Capacity

Up to 75 pages 20 lb or 75 gsm bond

## Finishing Option

No

## Number of Paper Inputs, Standard

3

## Number of Paper Inputs, Maximum

6

## Media Types Supported

Card Stock, Dual Web Labels, Envelopes, Integrated Labels, Paper Labels, Plain Paper, Polyester Labels, Transparencies, Vinyl Labels, Refer to the Card Stock & Label Guide

## Media Sizes Supported

10 Envelope, 7 3/4 Envelope, 9 Envelope, A4, A5, DL Envelope, Executive, Folio, JIS-B5, Legal, Letter, Statement, Universal, A6

## Standard Ports

Ethernet 10/100BaseTX (RJ-45), One Internal Card Slot, USB 2.0 Specification Hi-Speed Certified (Type B), USB Port (Type A) compatible with USB 2.0 Specification, Front USB Port Compatible with USB 2.0 Specification (Type A)

## Optional Network Ports

Lexmark N4050e 802.11g Wireless Print Server (Print Only), External MarkNet™ N7020e Gigabit Ethernet, Internal MarkNet™ N8120 Gigabit Ethernet, Internal MarkNet™ N8130 Fiber Fast Ethernet, Internal MarkNet™ N8150 802.11b/g/n Wireless

## Network Printing Methods

LPR/LPD, Direct IP (Port 9100), Socket (Raw TCP/IP), HTTP, NDS Queue-based Printing, NDPS/NEPS (Novell Distributed Print Services, Novell Network Enterprise Print Services), Enhanced IP (Port 9400), FTP, TFTP, IPP 1.1 (Internet Printing Protocol), ThinPrint .print integration

## Network Protocol Support

TCP/IP IPv4, IPX/SPX, AppleTalk™, LexLink (DLC), TCP/IP IPv6, TCP, UDP

## Network Security

SNMPv3, 802.1x Authentication: MD5, MSCHAPv2, LEAP, PEAP, TLS, TTLS, IPsec

## Printable Area

0.167 inches of the top, bottom, right and left edges (within)

## Printer Languages (Standard)

PCL 5e Emulation, PCL 6 Emulation, Personal Printer Data Stream (PPDS), PostScript 3 Emulation, xHTML, PDF 1.6, Direct Image, Microsoft XPS (XML Paper Specification)

## Reduce / Enlarge Range

25 - 400 %

## Scan Area, Maximum

8.5 x 14 inches

## Modem Speed

33.6 Kbps

## Supplies Yield

25,000\*-page High Yield Print Cartridge, \*Average standard page yield value declared in accordance with ISO/IEC 19752-, 7,000\*-page Print Cartridge, 36,000\*-page Extra High Yield Print Cartridge

## Cartridge(s) Shipping with Product

18,000\*-page starter Return Program Print Cartridge

## Packaged Size (in. - H x W x D)

47.8 x 28.94 x 27.56 in.

## Size (in. - H x W x D)

34.8 x 21.6 x 24.1 in.

## Size, Trays Extended (in. - H x W x D)

34.8 x 21.6 x 31.1 in.

## Weight (lb.)

10 lb.

## Noise Level, Idle

29 dBA

## Print Noise Level, Operating

56 dBA

## Copy Noise Level, Operating

56 dBA

## Scan Noise Level, Operating

55 dBA

## Product Warranty

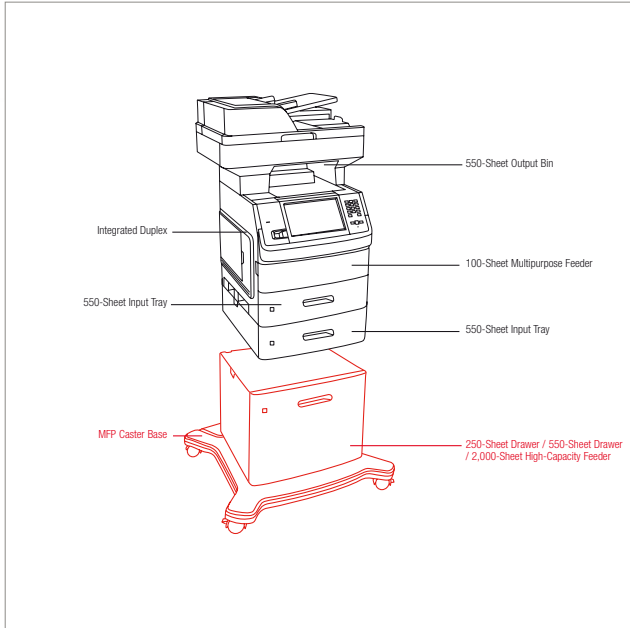
1-Year Onsite Service, Next Business Day

## Maximum Monthly Duty Cycle

Up to 275,000 pages per month

## Recommended Monthly Page Volume

5,000 - 30,000 pages



Paper Handling Standard  
 Paper Handling Optional

| Part #  | Model           |
|---------|-----------------|
| 16M1270 | Lexmark X656dte |

| Part #   | Laser Toner/Print Cartridge   |
|----------|---|
| X654X11A | X654, X656, X658 Extra High Yield Return Program Print Cartridge                        |
| X651H11A | X65x High Yield Return Program Print Cartridge  |
| X651A11A | X65x Return Program Print Cartridge   |
| X654X04A | X654, X656, X658 Extra High Yield Return Program Print Cartridge for Label Applications |
| X651H04A | X65x High Yield Return Program Print Cartridge for Label Applications                   |
| X654X21A | X654, X656, X658 Extra High Yield Print Cartridge                                       |
| X651H21A | X65x High Yield Print Cartridge   |
| X651A21A | X65x Print Cartridge  |

| Part #  | Paper & Transparencies                |
|---------|---------------------------------------|
| 70X7240 | Laser Printer Transparencies (Letter) |

| Part #  | Paper Handling   |
|---------|--|
| 30G0802 | 550-Sheet Drawer   |
| 30G0800 | 250-Sheet Drawer   |
| 30G0854 | 5 inch (12.7 cm) Spacer                                    |
| 30G0804 | 2000-Sheet High Capacity Feeder                            |
| 30G0871 | 200-Sheet Universally Adjustable Tray with Drawer          |
| 30G0860 | 400-Sheet Universally Adjustable Tray with Drawer          |
| 30G0849 | 550-Sheet Lockable Drawer                                  |
| 30G0836 | 200-Sheet Lockable Universally Adjustable Tray with Drawer |
| 30G0859 | 400-Sheet Lockable Universally Adjustable Tray with Drawer |

| Part #  | Furniture       |
|---------|-----------------|
| 16M1216 | MFP Caster Base |

| Part #  | Memory Options                |
|---------|-------------------------------|
| 1025041 | 256MB DDR2-DRAM               |
| 1025042 | 512MB DDR2-DRAM               |
| 1025043 | 1024MB DDR2-DRAM              |
| 14F0245 | 256MB Flash Card              |
| 30G0828 | Japanese Font Card            |
| 30G0825 | Korean Font Card              |
| 30G0826 | Simplified Chinese Font Card  |
| 30G0827 | Traditional Chinese Font Card |

| Part #  | Application Solutions          |
|---------|--------------------------------|
| 30G0829 | Lexmark PrintCrypton Card      |
| 16M1254 | X65x Card for IPDS and SCS/TNe |
| 16M1253 | X65x Forms and Bar Code Card   |

| Part #  | Connectivity                                |
|---------|---|
| 1021294 | USB Cable (2-meter)                         |
| 1021231 | Parallel Cable (10-foot)                    |
| 14F0037 | MarkNet N8120 Gigabit Ethernet Print Server |

|         |   |
|---------|---|
| 14F0042 | MarkNet N8130 Fiber Ethernet 100BaseFX, 10BaseFL Print Server |
| 14F0040 | MarkNet N8150 802.11b/g/n Wireless Print Server               |
| 14T0145 | Lexmark N4050e 802.11g Wireless Print Server                  |
| 14T0220 | MarkNet™ N7020e Gigabit Ethernet Print Server                 |
| 14F0000 | Parallel 1284-B Interface Card                                |
| 14F0100 | RS-232C Serial Interface Card                                 |

| Part #  | Extended Warranties                              |
|---------|--|
| 2350557 | 2-Years Total Onsite Service, Next Business Day  |
| 2350558 | 3-Years Total Onsite Service, Next Business Day  |
| 2350559 | 4-Years Total Onsite Service, Next Business Day  |
| 2350560 | 5-Years Total Onsite Service, Next Business Day  |
| 2350561 | 1-Year Onsite Service Renewal, Next Business Day |

| Part #  | User Replaceable Parts                                   |
|---------|--|
| 40X4724 | T65x, X654e, X656e, X658e Fuser Maintenance Kit 110-120V |
| 40X2665 | Oil Fuser Wiper  |
| 40X2666 | Wax Fuser Wiper  |
| 40X4540 | ADF Pick Roll Assembly                                   |
| 40X3444 | ADF Platen Cushion                                       |
| 40X4605 | ADF Separator Roll and Guide                             |
| 40X5852 | Dual Charge Roll Assembly                                |
| 40X1886 | Transfer Roll Assembly                                   |
| 40X4308 | Pick Roll Assembly                                       |
| 40X4769 | X65x ADF Maintenance Kit                                 |



# Lexmark X658de

A complete office multifunction solution, featuring a space-saving design, impressive input capacity, and a 500-sheet offset stacker

## Print Technology

Monochrome Laser

## Function

Color Scanning, Copying, Faxing, Network Scanning, Printing

## Print Speed (Letter, Black)

Up to 55 ppm

## Print Speed (Letter, Black) Duplex

Up to 37 spm

## Time to First Page (Black)

As fast as 9.5 seconds

## Copy Speed (Letter, Black)

Up to 55 cpm

## Time to First Copy (Black)

As fast as 7.5 seconds

## Print Resolution, Black

1200 Image Quality, 1200 x 1200 dpi, 2400 Image

Quality, 600 x 600 dpi

## Scanning Resolution

600 X 600 dpi (black)

## Processor

600 Mhz

## Memory, Standard

256 MB

## Memory, Maximum

1280 MB

## Expandable Memory Options

Yes

## Apple Macintosh Operating Systems Supported

Mac OS X, Mac OS 9.2

## Citrix MetaFrame

Microsoft Windows 2000 Server running Terminal Services with Citrix Presentation Server 3.0, 4.0, Microsoft Windows Server 2003 running Terminal Services with Citrix Presentation Server 3.0, 4.0, 4.5, Microsoft Windows Server 2003 x64 running Terminal Services with Citrix Presentation Server 4.0 x64, 4.5 x64

## Linux Operating Systems Supported

Linpus Linux Desktop 9.2, 9.3, Red Hat Enterprise Linux WS 3.0, 4.0, 5.0, SUSE Linux Enterprise Server 8.0, 9.0, 10.0, SUSE Linux Enterprise Desktop 10, openSUSE 10.2, 10.3, 11.0, Linpire Linux 6.0, Debian GNU/Linux 4.0, Red Flag Linux Desktop 5.0, 6.0, Ubuntu 7.10, Ubuntu 8.04 LTS

## Microsoft Windows Operating Systems Supported

2000, XP, Server 2003, XP x64, Server 2003 running Terminal Services, 2000 Server running Terminal Services, Server 2003 x64, Server 2003 x64 running Terminal Services, Vista, Vista x64, Server 2008, Server 2008 x64, Server 2008 running Terminal Services, Server 2008 x64 running Terminal Services

## Novell Operating Systems Supported

Open Enterprise Server for Netware with NDS, iPrint or Novell Distributed Print Services (NDPS), NetWare 5.x, 6.x with iPrint or Novell Distributed Print Services (NDPS)

## UNIX Operating Systems Supported

Sun Solaris SPARC 8, 9, 10, Sun Solaris x86 10, HP-UX 11.11, 11.23, 11.31, IBM AIX 5.2, 5.3, 6.1

## Other Operating Systems Supported

IBM iSeries or IBM AS/400® Systems with TCP/IP with OS/400® V3R1 or later using OS/400 Host Print Transform, Virtually any platform supporting TCP/IP

## Paper Handling Standard

Integrated Duplex, 100-Sheet Multipurpose Feeder, 550-Sheet Drawer, 550-Sheet Input Tray, 550-Sheet Output Bin, 500-Sheet Offset Stacker

## Paper Handling Optional

550-Sheet Drawer, Envelope Feeder

## Paper Input Capacity, Standard: Up to

1200 pages 20 lb or 75 gsm bond

## Paper Input Capacity, Maximum: Up to

2300 pages 20 lb or 75 gsm bond

## Paper Output Capacity, Standard: Up to

1050 pages 20 lb or 75 gsm bond

## Paper Output Capacity, Maximum: Up to

1050 pages 20 lb or 75 gsm bond

## ADF Paper Input Capacity

Up to 75 pages 20 lb or 75 gsm bond

## Finishing Option

Standard

## Number of Paper Inputs, Standard

3

## Number of Paper Inputs, Maximum

5

## Media Types Supported

Card Stock, Dual Web Labels, Envelopes, Integrated Labels, Paper Labels, Plain Paper, Polyester Labels, Transparencies, Vinyl Labels, Refer to the Card Stock & Label Guide

## Media Sizes Supported

10 Envelope, 7 3/4 Envelope, 9 Envelope, A4, A5, DL Envelope, Executive, Folio, JIS-B5, Legal, Letter, Statement, Universal, A6

## Standard Ports

Ethernet 10/100BaseTX (RJ-45), One Internal Card Slot, USB 2.0 Specification Hi-Speed Certified (Type B), USB Port (Type A) compatible with USB 2.0 Specification, Front USB Port, Compatible with USB 2.0 Specification (Type A)

## Optional Network Ports

Lexmark N4050e 802.11g Wireless Print Server (Print Only), External MarkNet™ N7020e Gigabit Ethernet, Internal MarkNet™ N8120 Gigabit Ethernet, Internal MarkNet™ N8130 Fiber Fast Ethernet, Internal MarkNet™ N8150 802.11b/g/n Wireless

## Network Printing Methods

LPR/LPD, Direct IP (Port 9100), Socket (Raw TCP/IP), HTTP, NDS Queue-based Printing, NDPS/NEPS (Novell Distributed Print Services, Novell Netware Enterprise Print Services), Enhanced IP (Port 9400), FTP, TFTP, IPP 1.1 (Internet Printing Protocol), ThinPrint .print integration

## Network Protocol Support

TCP/IP IPv4, IPX/SPX, AppleTalk™, LexLink (DLC), TCP/IP

IPv6, TCP, UDP

## Network Security

SNMPv3, 802.1x Authentication: MD5, MSCHAPv2, LEAP, PEAP, TLS, TTLS, IPsec

## Printable Area

0.167 inches of the top, bottom, right and left edges (within)

## Printer Languages (Standard)

PCL 5e Emulation, PCL 6 Emulation, Personal Printer Data Stream (PPDS), PostScript 3 Emulation, xHTML, PDF 1.6, Direct Image, Microsoft XPS (XML Paper Specification)

## Reduce / Enlarge Range

25 - 400 %

## Scan Area, Maximum

8.5 x 14 inches

## Modem Speed

33.6 Kbps

## Supplies Yield

25,000\*-page High Yield Print Cartridge, \*Average standard page yield value declared in accordance with ISO/IEC 19752-, 7,000\*-page Print Cartridge, 36,000\*-page Extra High Yield Print Cartridge

## Cartridge(s) Shipping with Product

18,000\*-page starter Return Program Print Cartridge

## Packaged Size (in. - H x W x D)

56.89 x 39.76 x 33.07 in.

## Size (in. - H x W x D)

43.9 x 21.6 x 23.5 in.

## Size, Trays Extended (in. - H x W x D)

43.9 x 21.6 x 31.0 in.

## Weight (lb.)

165.3 lb.

## Noise Level, Idle

28 dBA

## Print Noise Level, Operating

55 dBA

## Copy Noise Level, Operating

55 dBA

## Scan Noise Level, Operating

55 dBA

## Product Warranty

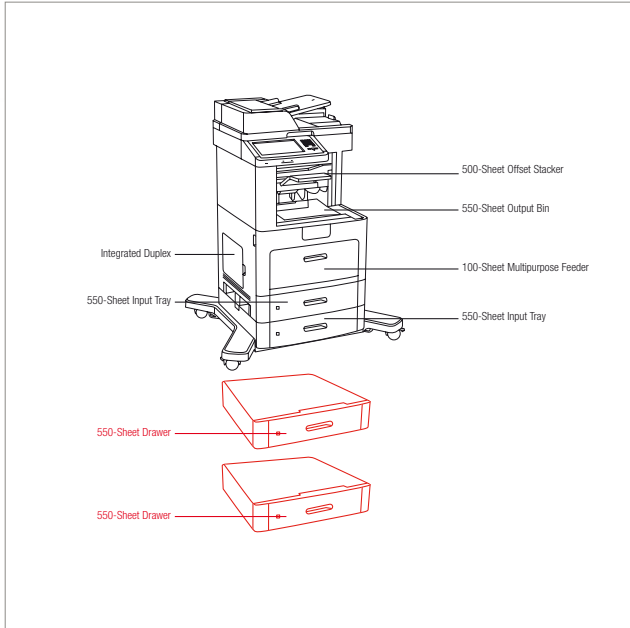
1-Year Onsite Service, Next Business Day

## Maximum Monthly Duty Cycle

Up to 275,000 pages per month

## Recommended Monthly Page Volume

5,000 - 30,000 pages



Paper Handling Standard  
 Paper Handling Optional

| Part #  | Model          |
|---------|----------------|
| 16M1301 | Lexmark X658de |

| Part #   | Laser Toner/Print Cartridge   |
|----------|---|
| X654X11A | X654, X656, X658 Extra High Yield Return Program Print Cartridge                        |
| X651H11A | X65X High Yield Return Program Print Cartridge  |
| X651A11A | X65X Return Program Print Cartridge   |
| X654X04A | X654, X656, X658 Extra High Yield Return Program Print Cartridge for Label Applications |
| X651H04A | X65X High Yield Return Program Print Cartridge for Label Applications                   |
| X654X21A | X654, X656, X658 Extra High Yield Print Cartridge                                       |
| X651H21A | X65X High Yield Print Cartridge   |
| X651A21A | X65X Print Cartridge  |

| Part #  | Paper & Transparencies                |
|---------|---------------------------------------|
| 70X7240 | Laser Printer Transparencies (Letter) |

| Part #  | Paper Handling        |
|---------|-----------------------|
| 16M1100 | X658 550-Sheet Drawer |
| 30G0807 | Envelope Feeder       |

| Part #  | Memory Options                |
|---------|-------------------------------|
| 1025041 | 256MB DDR2-DRAM               |
| 1025042 | 512MB DDR2-DRAM               |
| 1025043 | 1024MB DDR2-DRAM              |
| 14F0245 | 256MB Flash Card              |
| 30G0828 | Japanese Font Card            |
| 30G0825 | Korean Font Card              |
| 30G0826 | Simplified Chinese Font Card  |
| 30G0827 | Traditional Chinese Font Card |

| Part #  | Application Solutions          |
|---------|--------------------------------|
| 30G0829 | Lexmark PrintCrypton Card      |
| 16M1254 | X65X Card for IPDS and SCS/TNe |
| 16M1253 | X65X Forms and Bar Code Card   |

| Part #  | Connectivity  |
|---------|---|
| 1021294 | USB Cable (2-meter)   |
| 1021231 | Parallel Cable (10-foot)                                      |
| 14F0037 | MarkNet N8120 Gigabit Ethernet Print Server                   |
| 14F0042 | MarkNet N8130 Fiber Ethernet 100BaseFX, 10BaseFL Print Server |
| 14F0040 | MarkNet N8150 802.11b/g/n Wireless Print Server               |
| 14T0145 | Lexmark N4050e 802.11g Wireless Print Server                  |
| 14T0220 | MarkNet™ N7020e Gigabit Ethernet Print Server                 |
| 14F0000 | Parallel 1284-B Interface Card                                |
| 14F0100 | RS-232C Serial Interface Card                                 |

| Part #  | Extended Warranties                             |
|---------|---|
| 2350575 | 2-Years Total Onsite Service, Next Business Day |
| 2350576 | 3-Years Total Onsite Service, Next Business Day |

|         |  |
|---------|--|
| 2350577 | 4-Years Total Onsite Service, Next Business Day  |
| 2350578 | 5-Years Total Onsite Service, Next Business Day  |
| 2350579 | 1-Year Onsite Service Renewal, Next Business Day |

| Part #  | User Replaceable Parts                                   |
|---------|--|
| 40X4724 | T65x, X654e, X656e, X658e Fuser Maintenance Kit 110-120V |
| 40X2665 | Oil Fuser Wiper  |
| 40X2666 | Wax Fuser Wiper  |
| 40X4540 | ADF Pick Roll Assembly                                   |
| 40X3444 | ADF Platen Cushion                                       |
| 40X4605 | ADF Separator Roll and Guide                             |
| 40X5852 | Dual Charge Roll Assembly                                |
| 40X1886 | Transfer Roll Assembly                                   |
| 40X4308 | Pick Roll Assembly                                       |
| 40X4769 | X65X ADF Maintenance Kit                                 |



# Lexmark X658dte

A complete office multifunction solution, featuring a space-saving design, extra input capacity, and a 500-sheet offset stacker

## Print Technology

Monochrome Laser

## Function

Color Scanning, Copying, Faxing, Network Scanning, Printing

## Print Speed (Letter, Black)

Up to 55 ppm

## Print Speed (Letter, Black) Duplex

Up to 37 spm

## Time to First Page (Black)

As fast as 9.5 seconds

## Copy Speed (Letter, Black)

Up to 55 cpm

## Time to First Copy (Black)

As fast as 7.5 seconds

## Print Resolution, Black

1200 Image Quality, 1200 x 1200 dpi, 2400 Image Quality, 600 x 600 dpi

## Scanning Resolution

600 X 600 dpi (black)

## Processor

600 Mhz

## Memory, Standard

256 MB

## Memory, Maximum

1280 MB

## Expandable Memory Options

Yes

## Apple Macintosh Operating Systems Supported

Mac OS X, Mac OS 9.2

## Citrix MetaFrame

Microsoft Windows 2000 Server running Terminal Services with Citrix Presentation Server 3.0, 4.0, Microsoft Windows Server 2003 running Terminal Services with Citrix Presentation Server 3.0, 4.0, 4.5, Microsoft Windows Server 2003 x64 running Terminal Services with Citrix Presentation Server 4.0 x64, 4.5 x64

## Linux Operating Systems Supported

Linpus Linux Desktop 9.2, 9.3, Red Hat Enterprise Linux WS 3.0, 4.0, 5.0, SUSE Linux Enterprise Server 8.0, 9.0, 10.0, SUSE Linux Enterprise Desktop 10, openSUSE 10.2, 10.3, 11.0, Linspire Linux 6.0, Debian GNU/Linux 4.0, Red Flag Linux Desktop 5.0, 6.0, Ubuntu 7.10, Ubuntu 8.04 LTS

## Microsoft Windows Operating Systems Supported

2000, XP, Server 2003, XP x64, Server 2003 running Terminal Services, 2000 Server running Terminal Services, Server 2003 x64, Server 2003 x64 running Terminal Services, Vista, Vista x64, Server 2008, Server 2008 x64, Server 2008 running Terminal Services, Server 2008 x64 running Terminal Services

## Novell Operating Systems Supported

Open Enterprise Server for Netware with NDS, iPrint or Novell Distributed Print Services (NDPS), NetWare 5.x, 6.x with iPrint or Novell Distributed Print Services (NDPS)

## UNIX Operating Systems Supported

Sun Solaris SPARC 8, 9, 10, Sun Solaris x86 10, HP-UX 11.11, 11.23, 11.31, IBM AIX 5.2, 5.3, 6.1

## Other Operating Systems Supported

IBM iSeries or IBM AS/400® Systems with TCP/IP with OS/400® V3R1 or later using OS/400 Host Print Transform, Virtually any platform supporting TCP/IP

## Paper Handling Standard

Integrated Duplex, 100-Sheet Multipurpose Feeder, 550-Sheet Input Tray, 550-Sheet Output Bin, 2 x 500-Sheet Drawers, 500-Sheet Offset Stacker

## Paper Handling Optional

550-Sheet Drawer, Envelope Feeder

## Paper Input Capacity, Standard: Up to

1750 pages 20 lb or 75 gsm bond

## Paper Input Capacity, Maximum: Up to

2300 pages 20 lb or 75 gsm bond

## Paper Output Capacity, Standard: Up to

1050 pages 20 lb or 75 gsm bond

## Paper Output Capacity, Maximum: Up to

1050 pages 20 lb or 75 gsm bond

## ADF Paper Input Capacity

Up to 75 pages 20 lb or 75 gsm bond

## Finishing Option

Standard

## Number of Paper Inputs, Standard

4

## Number of Paper Inputs, Maximum

5

## Media Types Supported

Card Stock, Dual Web Labels, Envelopes, Integrated Labels, Paper Labels, Plain Paper, Polyester Labels, Transparencies, Vinyl Labels, Refer to the Card Stock & Label Guide

## Media Sizes Supported

10 Envelope, 7 3/4 Envelope, 9 Envelope, A4, A5, DL Envelope, Executive, Folio, JIS-B5, Legal, Letter, Statement, Universal, A6

## Standard Ports

Ethernet 10/100BaseTX (RJ-45), One Internal Card Slot, USB 2.0 Specification Hi-Speed Certified (Type B), USB Port (Type A) compatible with USB 2.0 Specification, Front USB Port Compatible with USB 2.0 Specification (Type A)

## Optional Network Ports

Lexmark N4050e 802.11g Wireless Print Server (Print Only), External MarkNet™ N7020e Gigabit Ethernet, Internal MarkNet™ N8120 Gigabit Ethernet, Internal MarkNet™ N8130 Fiber Fast Ethernet, Internal MarkNet™ N8150 802.11b/g/n Wireless

## Network Printing Methods

LPR/LPD, Direct IP (Port 9100), Socket (Raw TCP/IP), HTTP, NDS Queue-based Printing, NDPS/NEPS (Novell Distributed Print Services, Novell Netware Enterprise Print Services), Enhanced IP (Port 9400), FTP, TFTP, IPP 1.1 (Internet Printing Protocol), ThinPrint .print integration

## Network Protocol Support

TCP/IP IPv4, IPX/SPX, AppleTalk™, LexLink (DLC), TCP/IP

IPv6, TCP, UDP

## Network Security

SNMPv3, 802.1x Authentication: MD5, MSCHAPv2, LEAP, PEAP, TLS, TTLS, IPsec

## Printable Area

0.167 inches of the top, bottom, right and left edges (within)

## Printer Languages (Standard)

PCL 5e Emulation, PCL 6 Emulation, Personal Printer Data Stream (PPDS), PostScript 3 Emulation, xHTML, PDF 1.6, Direct Image, Microsoft XPS (XML Paper Specification)

## Reduce / Enlarge Range

25 - 400 %

## Scan Area, Maximum

8.5 x 14 inches

## Modem Speed

33.6 Kbps

## Supplies Yield

25,000\*-page High Yield Print Cartridge, \*Average standard page yield value declared in accordance with ISO/IEC 19752, 7,000\*-page Print Cartridge, 36,000\*-page Extra High Yield Print Cartridge

## Cartridge(s) Shipping with Product

18,000\*-page starter Return Program Print Cartridge

## Packaged Size (in. - H x W x D)

56.89 x 39.76 x 33.07 in.

## Size (in. - H x W x D)

49.1 x 21.6 x 23.5 in.

## Size, Trays Extended (in. - H x W x D)

49.1 x 21.6 x 31.0 in.

## Weight (lb.)

176.3 lb.

## Noise Level, Idle

28 dBA

## Print Noise Level, Operating

55 dBA

## Copy Noise Level, Operating

55 dBA

## Scan Noise Level, Operating

55 dBA

## Product Warranty

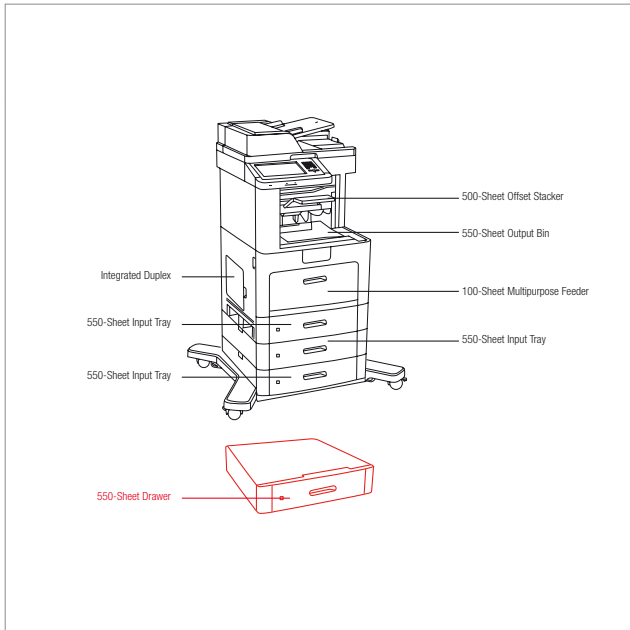
1-Year Onsite Service, Next Business Day

## Maximum Monthly Duty Cycle

Up to 275,000 pages per month

## Recommended Monthly Page Volume

5,000 - 30,000 pages



Paper Handling Standard  
 Paper Handling Optional

| Part #  | Model            |
|---------|------------------|
| 16M1740 | Lexmark X658dtte |

| Part #   | Laser Toner/Print Cartridge   |
|----------|---|
| X654X11A | X654, X656, X658 Extra High Yield Return Program Print Cartridge                        |
| X651H11A | X65x High Yield Return Program Print Cartridge  |
| X651A11A | X65x Return Program Print Cartridge   |
| X654X04A | X654, X656, X658 Extra High Yield Return Program Print Cartridge for Label Applications |
| X651H04A | X65x High Yield Return Program Print Cartridge for Label Applications                   |
| X654X21A | X654, X656, X658 Extra High Yield Print Cartridge                                       |
| X651H21A | X65x High Yield Print Cartridge   |
| X651A21A | X65x Print Cartridge  |

| Part #  | Paper & Transparencies                |
|---------|---------------------------------------|
| 70X7240 | Laser Printer Transparencies (Letter) |

| Part #  | Paper Handling        |
|---------|-----------------------|
| 16M1100 | X658 550-Sheet Drawer |
| 30G0807 | Envelope Feeder       |

| Part #  | Memory Options                |
|---------|-------------------------------|
| 1025041 | 256MB DDR2-DRAM               |
| 1025042 | 512MB DDR2-DRAM               |
| 1025043 | 1024MB DDR2-DRAM              |
| 14F0245 | 256MB Flash Card              |
| 30G0828 | Japanese Font Card            |
| 30G0825 | Korean Font Card              |
| 30G0826 | Simplified Chinese Font Card  |
| 30G0827 | Traditional Chinese Font Card |

| Part #  | Application Solutions          |
|---------|--------------------------------|
| 30G0829 | Lexmark PrintCrypton Card      |
| 16M1254 | X65x Card for IPDS and SCS/TNe |
| 16M1253 | X65x Forms and Bar Code Card   |

| Part #  | Connectivity  |
|---------|---|
| 1021294 | USB Cable (2-meter)   |
| 1021231 | Parallel Cable (10-foot)                                      |
| 14F0037 | MarkNet N8120 Gigabit Ethernet Print Server                   |
| 14F0042 | MarkNet N8130 Fiber Ethernet 100BaseFX, 10BaseFL Print Server |
| 14F0040 | MarkNet N8150 802.11b/g/n Wireless Print Server               |
| 14T0145 | Lexmark N4050e 802.11g Wireless Print Server                  |
| 14T0220 | MarkNet™ N7020e Gigabit Ethernet Print Server                 |
| 14F0000 | Parallel 1284-B Interface Card                                |
| 14F0100 | RS-232C Serial Interface Card                                 |

| Part #  | Extended Warranties                             |
|---------|---|
| 2350575 | 2-Years Total Onsite Service, Next Business Day |
| 2350576 | 3-Years Total Onsite Service, Next Business Day |

|         |  |
|---------|--|
| 2350577 | 4-Years Total Onsite Service, Next Business Day  |
| 2350578 | 5-Years Total Onsite Service, Next Business Day  |
| 2350579 | 1-Year Onsite Service Renewal, Next Business Day |

| Part #  | User Replaceable Parts                                   |
|---------|--|
| 40X4724 | T65x, X654e, X656e, X658e Fuser Maintenance Kit 110-120V |
| 40X4540 | ADF Pick Roll Assembly                                   |
| 40X3444 | ADF Platen Cushion                                       |
| 40X4605 | ADF Separator Roll and Guide                             |
| 40X5852 | Dual Charge Roll Assembly                                |
| 40X1886 | Transfer Roll Assembly                                   |
| 40X2666 | Wax Fuser Wiper  |
| 40X4308 | Pick Roll Assembly                                       |
| 40X4769 | X65x ADF Maintenance Kit                                 |



# Lexmark X658dme

A complete office multifunction solution, featuring a space-saving design, impressive input capacity and a convenient four-bin mailbox

## Print Technology

Monochrome Laser

## Function

Color Scanning, Copying, Faxing, Network Scanning, Printing

## Print Speed (Letter, Black)

Up to 55 ppm

## Print Speed (Letter, Black) Duplex

Up to 37 ppm

## Time to First Page (Black)

As fast as 9.5 seconds

## Copy Speed (Letter, Black)

Up to 55 ppm

## Time to First Copy (Black)

As fast as 7.5 seconds

## Print Resolution, Black

1200 Image Quality, 1200 x 1200 dpi, 2400 Image Quality, 600 x 600 dpi

## Scanning Resolution

600 X 600 dpi (black)

## Processor

600 Mhz

## Memory, Standard

256 MB

## Memory, Maximum

1280 MB

## Expandable Memory Options

Yes

## Apple Macintosh Operating Systems Supported

Mac OS X, Mac OS 9.2

## Citrix MetaFrame

Microsoft Windows 2000 Server running Terminal Services with Citrix Presentation Server 3.0, 4.0, Microsoft Windows Server 2003 running Terminal Services with Citrix Presentation Server 3.0, 4.0, 4.5, Microsoft Windows Server 2003 x64 running Terminal Services with Citrix Presentation Server 4.0 x64, 4.5 x64

## Linux Operating Systems Supported

Linpus Linux Desktop 9.2, 9.3, Red Hat Enterprise Linux WS 3.0, 4.0, 5.0, SUSE Linux Enterprise Server 8.0, 9.0, 10.0, SUSE Linux Enterprise Desktop 10, openSUSE 10.2, 10.3, 11.0, Linspire Linux 6.0, Debian GNU/Linux 4.0, Red Flag Linux Desktop 5.0, 6.0, Ubuntu 7.10, Ubuntu 8.04 LTS

## Microsoft Windows Operating Systems Supported

2000, XP, Server 2003, XP x64, Server 2003 running Terminal Services, 2000 Server running Terminal Services, Server 2003 x64, Server 2003 x64 running Terminal Services, Vista, Vista x64, Server 2008, Server 2008 x64, Server 2008 running Terminal Services, Server 2008 x64 running Terminal Services

## Novell Operating Systems Supported

Open Enterprise Server for Netware with NDS, iPrint or Novell Distributed Print Services (NDPS), NetWare 5.x, 6.x with iPrint or Novell Distributed Print Services (NDPS)

## UNIX Operating Systems Supported

Sun Solaris SPARC 8, 9, 10, Sun Solaris x86 10, HP-UX 11.11, 11.23, 11.31, IBM AIX 5.2, 5.3, 6.1

## Other Operating Systems Supported

IBM iSeries or IBM AS/400® Systems with TCP/IP with OS/400® V3R1 or later using OS/400 Host Print Transform, Virtually any platform supporting TCP/IP

## Paper Handling Standard

Integrated Duplex, 100-Sheet Multipurpose Feeder, 550-Sheet Drawer, 550-Sheet Input Tray, 550-Sheet Output Bin, 4-Bin Mailbox

## Paper Handling Optional

550-Sheet Drawer, Envelope Feeder

## Paper Input Capacity, Standard: Up to

1200 pages 20 lb or 75 gsm bond

## Paper Input Capacity, Maximum: Up to

2300 pages 20 lb or 75 gsm bond

## Paper Output Capacity, Standard: Up to

950 pages 20 lb or 75 gsm bond

## Paper Output Capacity, Maximum: Up to

950 pages 20 lb or 75 gsm bond

## ADF Paper Input Capacity

Up to 75 pages 20 lb or 75 gsm bond

## Finishing Option

No

## Number of Paper Inputs, Standard

3

## Number of Paper Inputs, Maximum

5

## Media Types Supported

Card Stock, Dual Web Labels, Envelopes, Integrated Labels, Paper Labels, Plain Paper, Polyester Labels, Transparencies, Vinyl Labels, Refer to the Card Stock & Label Guide

## Media Sizes Supported

10 Envelope, 7 3/4 Envelope, 9 Envelope, A4, A5, DL Envelope, Executive, Folio, JIS-B5, Legal, Letter, Statement, Universal, A6

## Standard Ports

Ethernet 10/100BaseTX (RJ-45), One Internal Card Slot, USB 2.0 Specification Hi-Speed Certified (Type B), USB Port (Type A) compatible with USB 2.0 Specification, Front USB Port Compatible with USB 2.0 Specification (Type A)

## Optional Network Ports

Lexmark N4050e 802.11g Wireless Print Server (Print Only), External MarkNet™ N7020e Gigabit Ethernet, Internal MarkNet™ N8120 Gigabit Ethernet, Internal MarkNet™ N8130 Fiber Fast Ethernet, Internal MarkNet™ N8150 802.11b/g/n Wireless

## Network Printing Methods

LPR/LPD, Direct IP (Port 9100), Socket (Raw TCP/IP), HTTP, NDS Queue-based Printing, NDPS/NEPS (Novell Distributed Print Services, Novell Network Enterprise Print Services), Enhanced IP (Port 9400), FTP, TFTP, IPP 1.1 (Internet Printing Protocol), ThinPrint .print integration

## Network Protocol Support

TCP/IP IPv4, IPX/SPX, AppleTalk™, LexLink (DLC), TCP/IP

IPv6, TCP, UDP

## Network Security

SNMPv3, 802.1x Authentication: MD5, MSCHAPv2, LEAP, PEAP, TLS, TTLS, IPsec

## Printable Area

0.167 inches of the top, bottom, right and left edges (within)

## Printer Languages (Standard)

PCL 5e Emulation, PCL 6 Emulation, Personal Printer Data Stream (PPDS), PostScript 3 Emulation, xHTML, PDF 1.6, Direct Image, Microsoft XPS (XML Paper Specification)

## Reduce / Enlarge Range

25 - 400 %

## Scan Area, Maximum

8.5 x 14 inches

## Modem Speed

33.6 Kbps

## Supplies Yield

25,000\*-page High Yield Print Cartridge, \*Average standard page yield value declared in accordance with ISO/IEC 19752-, 7,000\*-page Print Cartridge, 36,000\*-page Extra High Yield Print Cartridge

## Cartridge(s) Shipping with Product

18,000\*-page starter Return Program Print Cartridge

## Packaged Size (in. - H x W x D)

56.89 x 39.76 x 33.07 in.

## Size (in. - H x W x D)

43.9 x 21.6 x 23.5 in.

## Size, Trays Extended (in. - H x W x D)

43.9 x 21.6 x 31.0 in.

## Weight (lb.)

160.6 lb.

## Noise Level, Idle

28 dBA

## Print Noise Level, Operating

55 dBA

## Copy Noise Level, Operating

55 dBA

## Scan Noise Level, Operating

55 dBA

## Product Warranty

1-Year Onsite Service, Next Business Day

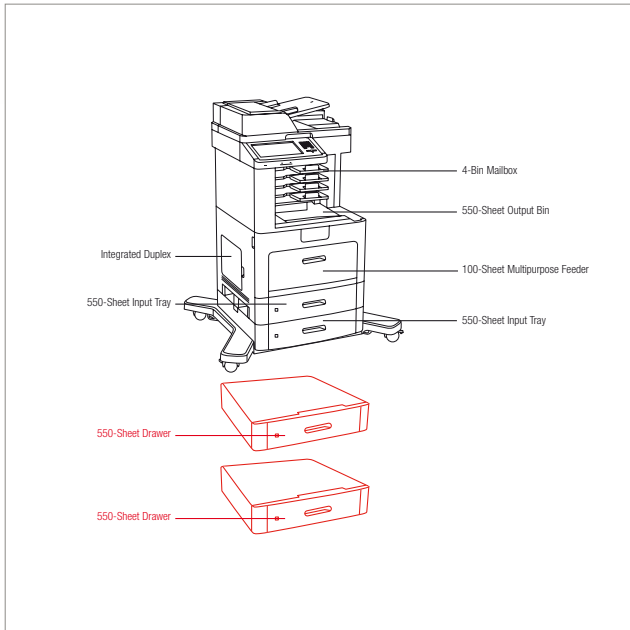
## Maximum Monthly Duty Cycle

Up to 275,000 pages per month

## Recommended Monthly Page Volume

5,000 - 30,000 pages





Paper Handling Standard  
 Paper Handling Optional

| Part #  | Model           |
|---------|-----------------|
| 16M1306 | Lexmark X658dme |

| Part #   | Laser Toner/Print Cartridge   |
|----------|---|
| X654X11A | X654, X656, X658 Extra High Yield Return Program Print Cartridge                        |
| X651H11A | X65x High Yield Return Program Print Cartridge  |
| X651A11A | X65x Return Program Print Cartridge   |
| X654X04A | X654, X656, X658 Extra High Yield Return Program Print Cartridge for Label Applications |
| X651H04A | X65x High Yield Return Program Print Cartridge for Label Applications                   |
| X654X21A | X654, X656, X658 Extra High Yield Print Cartridge                                       |
| X651H21A | X65x High Yield Print Cartridge   |
| X651A21A | X65x Print Cartridge  |

| Part #  | Paper & Transparencies                |
|---------|---------------------------------------|
| 70X7240 | Laser Printer Transparencies (Letter) |

| Part #  | Paper Handling        |
|---------|-----------------------|
| 16M1100 | X658 550-Sheet Drawer |
| 30G0807 | Envelope Feeder       |

| Part #  | Memory Options                |
|---------|-------------------------------|
| 1025041 | 256MB DDR2-DRAM               |
| 1025042 | 512MB DDR2-DRAM               |
| 1025043 | 1024MB DDR2-DRAM              |
| 14F0245 | 256MB Flash Card              |
| 30G0828 | Japanese Font Card            |
| 30G0825 | Korean Font Card              |
| 30G0826 | Simplified Chinese Font Card  |
| 30G0827 | Traditional Chinese Font Card |

| Part #  | Application Solutions          |
|---------|--------------------------------|
| 30G0829 | Lexmark PrintCrypton Card      |
| 16M1254 | X65x Card for IPDS and SCS/TNe |
| 16M1253 | X65x Forms and Bar Code Card   |

| Part #  | Connectivity  |
|---------|---|
| 1021294 | USB Cable (2-meter)   |
| 1021231 | Parallel Cable (10-foot)                                      |
| 14F0037 | MarkNet N8120 Gigabit Ethernet Print Server                   |
| 14F0042 | MarkNet N8130 Fiber Ethernet 100BaseFX, 10BaseFL Print Server |
| 14F0040 | MarkNet N8150 802.11b/g/n Wireless Print Server               |
| 14T0145 | Lexmark N4050e 802.11g Wireless Print Server                  |
| 14T0220 | MarkNet™ N7020e Gigabit Ethernet Print Server                 |
| 14F0000 | Parallel 1284-B Interface Card                                |
| 14F0100 | RS-232C Serial Interface Card                                 |

| Part #  | Extended Warranties                             |
|---------|---|
| 2350575 | 2-Years Total Onsite Service, Next Business Day |
| 2350576 | 3-Years Total Onsite Service, Next Business Day |

|         |  |
|---------|--|
| 2350577 | 4-Years Total Onsite Service, Next Business Day  |
| 2350578 | 5-Years Total Onsite Service, Next Business Day  |
| 2350579 | 1-Year Onsite Service Renewal, Next Business Day |

| Part #  | User Replaceable Parts                                   |
|---------|--|
| 40X4724 | T65x, X654e, X656e, X658e Fuser Maintenance Kit 110-120V |
| 40X2665 | Oil Fuser Wiper  |
| 40X2666 | Wax Fuser Wiper  |
| 40X4540 | ADF Pick Roll Assembly                                   |
| 40X3444 | ADF Platen Cushion                                       |
| 40X4605 | ADF Separator Roll and Guide                             |
| 40X5852 | Dual Charge Roll Assembly                                |
| 40X1886 | Transfer Roll Assembly                                   |
| 40X4308 | Pick Roll Assembly                                       |
| 40X4769 | X65x ADF Maintenance Kit                                 |



# Lexmark X658dtme

A complete office multifunction solution, featuring a space-saving design, extra input capacity and a convenient four-bin mailbox

## Print Technology

Monochrome Laser

## Function

Color Scanning, Copying, Faxing, Network Scanning, Printing

## Print Speed (Letter, Black)

Up to 55 ppm

## Print Speed (Letter, Black) Duplex

Up to 37 spm

## Time to First Page (Black)

As fast as 9.5 seconds

## Copy Speed (Letter, Black)

Up to 55 cpm

## Time to First Copy (Black)

As fast as 7.5 seconds

## Print Resolution, Black

1200 Image Quality, 1200 x 1200 dpi, 2400 Image Quality, 600 x 600 dpi

## Scanning Resolution

600 X 600 dpi (black)

## Processor

600 Mhz

## Memory, Standard

256 MB

## Memory, Maximum

1280 MB

## Expandable Memory Options

Yes

## Apple Macintosh Operating Systems Supported

Mac OS X, Mac OS 9.2

## Citrix MetaFrame

Microsoft Windows 2000 Server running Terminal Services with Citrix Presentation Server 3.0, 4.0, Microsoft Windows Server 2003 running Terminal Services with Citrix Presentation Server 3.0, 4.0, 4.5, Microsoft Windows Server 2003 x64 running Terminal Services with Citrix Presentation Server 4.0 x64, 4.5 x64

## Linux Operating Systems Supported

Linpus Linux Desktop 9.2, 9.3, Red Hat Enterprise Linux WS 3.0, 4.0, 5.0, SUSE Linux Enterprise Server 8.0, 9.0, 10.0, SUSE Linux Enterprise Desktop 10, openSUSE 10.2, 10.3, 11.0, Linspire Linux 6.0, Debian GNU/Linux 4.0, Red Flag Linux Desktop 5.0, 6.0, Ubuntu 7.10, Ubuntu 8.04 LTS

## Microsoft Windows Operating Systems Supported

2000, XP, Server 2003, XP x64, Server 2003 running Terminal Services, 2000 Server running Terminal Services, Server 2003 x64, Server 2003 x64 running Terminal Services, Vista, Vista x64, Server 2008, Server 2008 x64, Server 2008 running Terminal Services, Server 2008 x64 running Terminal Services

## Novell Operating Systems Supported

Open Enterprise Server for Netware with NDS, iPrint or Novell Distributed Print Services (NDPS), NetWare 5.x, 6.x with iPrint or Novell Distributed Print Services (NDPS)

## UNIX Operating Systems Supported

Sun Solaris SPARC 8, 9, 10, Sun Solaris x86 10, HP-UX 11.11, 11.23, 11.31, IBM AIX 5.2, 5.3, 6.1

## Other Operating Systems Supported

IBM iSeries or IBM AS/400® Systems with TCP/IP with OS/400® V3R1 or later using OS/400 Host Print Transform, Virtually any platform supporting TCP/IP

## Paper Handling Standard

Integrated Duplex, 100-Sheet Multipurpose Feeder, 550-Sheet Input Tray, 550-Sheet Output Bin, 2 x 550-Sheet Drawers, 4-Bin Mailbox

## Paper Handling Optional

550-Sheet Drawer, Envelope Feeder

## Paper Input Capacity, Standard: Up to

1750 pages 20 lb or 75 gsm bond

## Paper Input Capacity, Maximum: Up to

2300 pages 20 lb or 75 gsm bond

## Paper Output Capacity, Standard: Up to

950 pages 20 lb or 75 gsm bond

## Paper Output Capacity, Maximum: Up to

950 pages 20 lb or 75 gsm bond

## ADF Paper Input Capacity

Up to 75 pages 20 lb or 75 gsm bond

## Finishing Option

No

## Number of Paper Inputs, Standard

4

## Number of Paper Inputs, Maximum

5

## Media Types Supported

Card Stock, Dual Web Labels, Envelopes, Integrated Labels, Paper Labels, Plain Paper, Polyester Labels, Transparencies, Vinyl Labels, Refer to the Card Stock & Label Guide

## Media Sizes Supported

10 Envelope, 7 3/4 Envelope, 9 Envelope, A4, A5, DL Envelope, Executive, Folio, JIS-B5, Legal, Letter, Statement, Universal, A6

## Standard Ports

Ethernet 10/100BaseTX (RJ-45), One Internal Card Slot, USB 2.0 Specification Hi-Speed Certified (Type B), USB Port (Type A) compatible with USB 2.0 Specification, Front USB Port, Compatible with USB 2.0 Specification (Type A)

## Optional Network Ports

Lexmark N4050e 802.11g Wireless Print Server (Print Only), External MarkNet™ N7020e Gigabit Ethernet, Internal MarkNet™ N8120 Gigabit Ethernet, Internal MarkNet™ N8130 Fiber Fast Ethernet, Internal MarkNet™ N8150 802.11b/g/n Wireless

## Network Printing Methods

LPR/LPD, Direct IP (Port 9100), Socket (Raw TCP/IP), HTTP, NDS Queue-based Printing, NDPS/NEPS (Novell Distributed Print Services, Novell Netware Enterprise Print Services), Enhanced IP (Port 9400), FTP, TFTP, IPP 1.1 (Internet Printing Protocol), ThinPrint .print integration

## Network Protocol Support

TCP/IP IPv4, IPX/SPX, AppleTalk™, LexLink (DLC), TCP/IP

IPv6, TCP, UDP

## Network Security

SNMPv3, 802.1x Authentication: MD5, MSCHAPv2, LEAP, PEAP, TLS, TTLS, IPsec

## Printable Area

0.167 inches of the top, bottom, right and left edges (within)

## Printer Languages (Standard)

PCL 5e Emulation, PCL 6 Emulation, Personal Printer Data Stream (PPDS), PostScript 3 Emulation, xHTML, PDF 1.6, Direct Image, Microsoft XPS (XML Paper Specification)

## Reduce / Enlarge Range

25 - 400 %

## Scan Area, Maximum

8.5 x 14 inches

## Modem Speed

33.6 Kbps

## Supplies Yield

25,000\*-page High Yield Print Cartridge, \*Average standard page yield value declared in accordance with ISO/IEC 19752-, 7,000\*-page Print Cartridge, 36,000\*-page Extra High Yield Print Cartridge

## Cartridge(s) Shipping with Product

18,000\*-page starter Return Program Print Cartridge

## Packaged Size (in. - H x W x D)

56.89 x 39.76 x 33.07 in.

## Size (in. - H x W x D)

49.1 x 21.6 x 23.5 in.

## Size, Trays Extended (in. - H x W x D)

49.1 x 21.6 x 31.0 in.

## Weight (lb.)

171.6 lb.

## Noise Level, Idle

28 dBA

## Print Noise Level, Operating

55 dBA

## Copy Noise Level, Operating

55 dBA

## Scan Noise Level, Operating

55 dBA

## Product Warranty

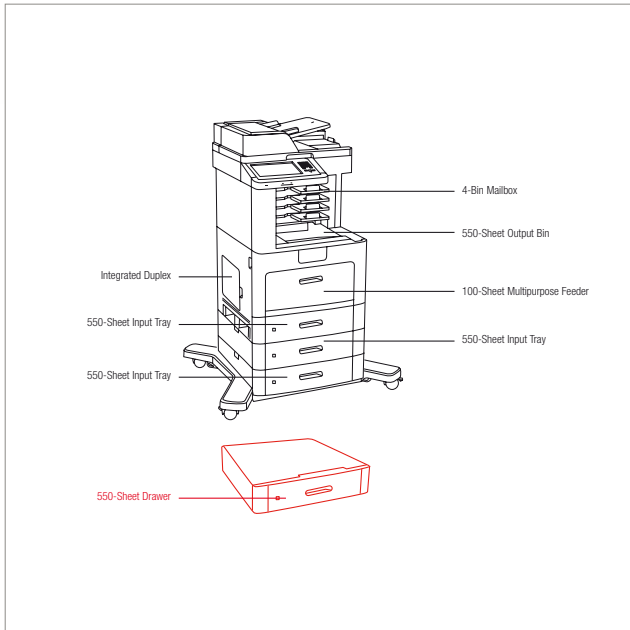
1-Year Onsite Service, Next Business Day

## Maximum Monthly Duty Cycle

Up to 275,000 pages per month

## Recommended Monthly Page Volume

5,000 - 30,000 pages



Paper Handling Standard  
 Paper Handling Optional

| Part #  | Model            |
|---------|------------------|
| 16M1742 | Lexmark X658dtme |

| Part #   | Laser Toner/Print Cartridge   |
|----------|---|
| X654X11A | X654, X656, X658 Extra High Yield Return Program Print Cartridge                        |
| X651H11A | X65X High Yield Return Program Print Cartridge  |
| X651A11A | X65X Return Program Print Cartridge   |
| X654X04A | X654, X656, X658 Extra High Yield Return Program Print Cartridge for Label Applications |
| X651H04A | X65X High Yield Return Program Print Cartridge for Label Applications                   |
| X654X21A | X654, X656, X658 Extra High Yield Print Cartridge                                       |
| X651H21A | X65X High Yield Print Cartridge   |
| X651A21A | X65X Print Cartridge  |

| Part #  | Paper & Transparencies                |
|---------|---------------------------------------|
| 70X7240 | Laser Printer Transparencies (Letter) |

| Part #  | Paper Handling        |
|---------|-----------------------|
| 16M1100 | X658 550-Sheet Drawer |
| 30G0807 | Envelope Feeder       |

| Part #  | Memory Options                |
|---------|-------------------------------|
| 1025041 | 256MB DDR2-DRAM               |
| 1025042 | 512MB DDR2-DRAM               |
| 1025043 | 1024MB DDR2-DRAM              |
| 14F0245 | 256MB Flash Card              |
| 30G0828 | Japanese Font Card            |
| 30G0825 | Korean Font Card              |
| 30G0826 | Simplified Chinese Font Card  |
| 30G0827 | Traditional Chinese Font Card |

| Part #  | Application Solutions          |
|---------|--------------------------------|
| 30G0829 | Lexmark PrintCrypton Card      |
| 16M1254 | X65X Card for IPDS and SCS/TNe |
| 16M1253 | X65X Forms and Bar Code Card   |

| Part #  | Connectivity  |
|---------|---|
| 1021294 | USB Cable (2-meter)   |
| 1021231 | Parallel Cable (10-foot)                                      |
| 14F0037 | MarkNet N8120 Gigabit Ethernet Print Server                   |
| 14F0042 | MarkNet N8130 Fiber Ethernet 100BaseFX, 10BaseFL Print Server |
| 14F0040 | MarkNet N8150 802.11b/g/n Wireless Print Server               |
| 14T0145 | Lexmark N4050e 802.11g Wireless Print Server                  |
| 14T0220 | MarkNet™ N7020e Gigabit Ethernet Print Server                 |
| 14F0000 | Parallel 1284-B Interface Card                                |
| 14F0100 | RS-232C Serial Interface Card                                 |

| Part #  | Extended Warranties                             |
|---------|---|
| 2350575 | 2-Years Total Onsite Service, Next Business Day |
| 2350576 | 3-Years Total Onsite Service, Next Business Day |

|         |  |
|---------|--|
| 2350577 | 4-Years Total Onsite Service, Next Business Day  |
| 2350578 | 5-Years Total Onsite Service, Next Business Day  |
| 2350579 | 1-Year Onsite Service Renewal, Next Business Day |

| Part #  | User Replaceable Parts                                   |
|---------|--|
| 40X4724 | T65x, X654e, X656e, X658e Fuser Maintenance Kit 110-120V |
| 40X2665 | Oil Fuser Wiper  |
| 40X2666 | Wax Fuser Wiper  |
| 40X4540 | ADF Pick Roll Assembly                                   |
| 40X3444 | ADF Platen Cushion                                       |
| 40X4605 | ADF Separator Roll and Guide                             |
| 40X5852 | Dual Charge Roll Assembly                                |
| 40X1886 | Transfer Roll Assembly                                   |
| 40X4308 | Pick Roll Assembly                                       |
| 40X4769 | X65X ADF Maintenance Kit                                 |



# Lexmark X658dfe

A complete office multifunction solution, featuring a space-saving design, StapleSmart II™ Finisher, which staples sets of up to 50 pages and increases output capacity to 1,050 sheets

## Print Technology

Monochrome Laser

## Function

Color Scanning, Copying, Faxing, Network Scanning, Printing

## Print Speed (Letter, Black)

Up to 55 ppm

## Print Speed (Letter, Black) Duplex

Up to 37 spm

## Time to First Page (Black)

As fast as 9.5 seconds

## Copy Speed (Letter, Black)

Up to 55 cpm

## Time to First Copy (Black)

As fast as 7.5 seconds

## Print Resolution, Black

1200 Image Quality, 1200 x 1200 dpi, 2400 Image

Quality, 600 x 600 dpi

## Scanning Resolution

600 X 600 dpi (black)

## Processor

600 Mhz

## Memory, Standard

256 MB

## Memory, Maximum

1280 MB

## Expandable Memory Options

Yes

## Apple Macintosh Operating Systems Supported

Mac OS X, Mac OS 9.2

## Citrix MetaFrame

Microsoft Windows 2000 Server running Terminal Services with Citrix Presentation Server 3.0, 4.0, Microsoft Windows Server 2003 running Terminal Services with Citrix Presentation Server 3.0, 4.0, 4.5, Microsoft Windows Server 2003 x64 running Terminal Services with Citrix Presentation Server 4.0 x64, 4.5 x64

## Linux Operating Systems Supported

Linpus Linux Desktop 9.2, 9.3, Red Hat Enterprise Linux WS 3.0, 4.0, 5.0, SUSE Linux Enterprise Server 8.0, 9.0, 10.0, SUSE Linux Enterprise Desktop 10, openSUSE 10.2, 10.3, 11.0, Linspire Linux 6.0, Debian GNU/Linux 4.0, Red Flag Linux Desktop 5.0, 6.0, Ubuntu 7.10, Ubuntu 8.04 LTS

## Microsoft Windows Operating Systems Supported

2000, XP, Server 2003, XP x64, Server 2003 running Terminal Services, 2000 Server running Terminal Services, Server 2003 x64, Server 2003 x64 running Terminal Services, Vista, Vista x64, Server 2008, Server 2008 x64, Server 2008 running Terminal Services, Server 2008 x64 running Terminal Services

## Novell Operating Systems Supported

Open Enterprise Server for Netware with NDS, iPrint or Novell Distributed Print Services (NDPS), NetWare 5.x, 6.x with iPrint or Novell Distributed Print Services (NDPS)

## UNIX Operating Systems Supported

Sun Solaris SPARC 8, 9, 10, Sun Solaris x86 10, HP-UX 11.11, 11.23, 11.31, IBM AIX 5.2, 5.3, 6.1

## Other Operating Systems Supported

IBM iSeries or IBM AS/400® Systems with TCP/IP with OS/400® V3R1 or later using OS/400 Host Print Transform, Virtually any platform supporting TCP/IP

## Paper Handling Standard

Integrated Duplex, 100-Sheet Multipurpose Feeder, 550-Sheet Drawer, 550-Sheet Input Tray, 550-Sheet Output Bin, StapleSmart II Finisher

## Paper Handling Optional

550-Sheet Drawer, Envelope Feeder

## Paper Input Capacity, Standard: Up to

1200 pages 20 lb or 75 gsm bond

## Paper Input Capacity, Maximum: Up to

2300 pages 20 lb or 75 gsm bond

## Paper Output Capacity, Standard: Up to

1050 pages 20 lb or 75 gsm bond

## Paper Output Capacity, Maximum: Up to

1050 pages 20 lb or 75 gsm bond

## ADF Paper Input Capacity

Up to 75 pages 20 lb or 75 gsm bond

## Finishing Option

Standard

## Number of Paper Inputs, Standard

3

## Number of Paper Inputs, Maximum

5

## Media Types Supported

Card Stock, Dual Web Labels, Envelopes, Integrated Labels, Paper Labels, Plain Paper, Polyester Labels, Transparencies, Vinyl Labels, Refer to the Card Stock & Label Guide

## Media Sizes Supported

10 Envelope, 7 3/4 Envelope, 9 Envelope, A4, A5, DL Envelope, Executive, Folio, JIS-B5, Legal, Letter, Statement, Universal, A6

## Standard Ports

Ethernet 10/100BaseTX (RJ-45), One Internal Card Slot, USB 2.0 Specification Hi-Speed Certified (Type B), USB Port (Type A) compatible with USB 2.0 Specification, Front USB Port, Compatible with USB 2.0 Specification (Type A)

## Optional Network Ports

Lexmark N4050e 802.11g Wireless Print Server (Print Only), External MarkNet™ N7020e Gigabit Ethernet, Internal MarkNet™ N8120 Gigabit Ethernet, Internal MarkNet™ N8130 Fiber Fast Ethernet, Internal MarkNet™ N8150 802.11b/g/n Wireless

## Network Printing Methods

LPR/LPD, Direct IP (Port 9100), Socket (Raw TCP/IP), HTTP, NDS Queue-based Printing, NDPS/NEPS (Novell Distributed Print Services, Novell Netware Enterprise Print Services), Enhanced IP (Port 9400), FTP, TFTP, IPP 1.1 (Internet Printing Protocol), ThinPrint .print integration

## Network Protocol Support

TCP/IP IPv4, IPX/SPX, AppleTalk™, LexLink (DLC), TCP/IP

IPv6, TCP, UDP

## Network Security

SNMPv3, 802.1x Authentication: MD5, MSCHAPv2, LEAP, PEAP, TLS, TTLS, IPsec

## Printable Area

0.167 inches of the top, bottom, right and left edges (within)

## Printer Languages (Standard)

PCL 5e Emulation, PCL 6 Emulation, Personal Printer Data Stream (PPDS), PostScript 3 Emulation, xHTML, PDF 1.6, Direct Image, Microsoft XPS (XML Paper Specification)

## Reduce / Enlarge Range

25 - 400 %

## Scan Area, Maximum

8.5 x 14 inches

## Modem Speed

33.6 Kbps

## Supplies Yield

25,000\*-page High Yield Print Cartridge, \*Average standard page yield value declared in accordance with ISO/IEC 19752-, 7,000\*-page Print Cartridge, 36,000\*-page Extra High Yield Print Cartridge

## Cartridge(s) Shipping with Product

18,000\*-page starter Return Program Print Cartridge

## Packaged Size (in. - H x W x D)

56.89 x 39.76 x 33.07 in.

## Size (in. - H x W x D)

43.9 x 21.6 x 23.5 in.

## Size, Trays Extended (in. - H x W x D)

43.9 x 21.6 x 31.0 in.

## Weight (lb.)

165.5 lb.

## Noise Level, Idle

28 dBA

## Print Noise Level, Operating

55 dBA

## Copy Noise Level, Operating

55 dBA

## Scan Noise Level, Operating

55 dBA

## Product Warranty

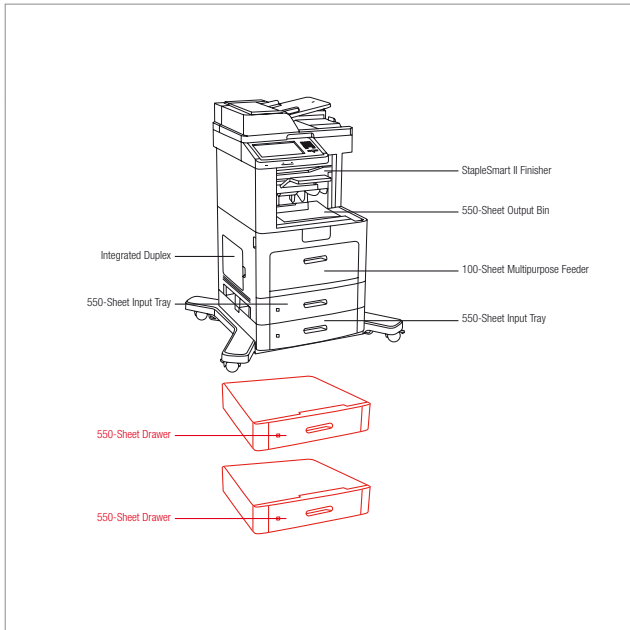
1-Year Onsite Service, Next Business Day

## Maximum Monthly Duty Cycle

Up to 275,000 pages per month

## Recommended Monthly Page Volume

5,000 - 30,000 pages



Paper Handling Standard  
 Paper Handling Optional

| Part #  | Model           |
|---------|-----------------|
| 16M1305 | Lexmark X658dfc |

| Part #   | Laser Toner/Print Cartridge   |
|----------|---|
| X654X11A | X654, X656, X658 Extra High Yield Return Program Print Cartridge                        |
| X651H11A | X65X High Yield Return Program Print Cartridge  |
| X651A11A | X65X Return Program Print Cartridge   |
| X654X04A | X654, X656, X658 Extra High Yield Return Program Print Cartridge for Label Applications |
| X651H04A | X65X High Yield Return Program Print Cartridge for Label Applications                   |
| X654X21A | X654, X656, X658 Extra High Yield Print Cartridge                                       |
| X651H21A | X65X High Yield Print Cartridge   |
| X651A21A | X65X Print Cartridge  |
| 25A0013  | Staple Cartridges (3 pack)  |

| Part #  | Paper & Transparencies                |
|---------|---------------------------------------|
| 70X7240 | Laser Printer Transparencies (Letter) |

| Part #  | Paper Handling        |
|---------|-----------------------|
| 16M1100 | X658 550-Sheet Drawer |
| 30G0807 | Envelope Feeder       |

| Part #  | Memory Options                |
|---------|-------------------------------|
| 1025041 | 256MB DDR2-DRAM               |
| 1025042 | 512MB DDR2-DRAM               |
| 1025043 | 1024MB DDR2-DRAM              |
| 14F0245 | 256MB Flash Card              |
| 30G0828 | Japanese Font Card            |
| 30G0825 | Korean Font Card              |
| 30G0826 | Simplified Chinese Font Card  |
| 30G0827 | Traditional Chinese Font Card |

| Part #  | Application Solutions          |
|---------|--------------------------------|
| 30G0829 | Lexmark PrintCryption Card     |
| 16M1254 | X65X Card for IPDS and SCS/TNe |
| 16M1253 | X65X Forms and Bar Code Card   |

| Part #  | Connectivity  |
|---------|---|
| 1021294 | USB Cable (2-meter)   |
| 1021231 | Parallel Cable (10-foot)                                      |
| 14F0037 | MarkNet N8120 Gigabit Ethernet Print Server                   |
| 14F0042 | MarkNet N8130 Fiber Ethernet 100BaseFX, 10BaseFL Print Server |
| 14F0040 | MarkNet N8150 802.11b/g/n Wireless Print Server               |
| 14T0145 | Lexmark N4050e 802.11g Wireless Print Server                  |
| 14T0220 | MarkNet™ N7020e Gigabit Ethernet Print Server                 |
| 14F0000 | Parallel 1284-B Interface Card                                |
| 14F0100 | RS-232C Serial Interface Card                                 |

| Part #  | Extended Warranties                             |
|---------|---|
| 2350575 | 2-Years Total Onsite Service, Next Business Day |

|         |  |
|---------|--|
| 2350576 | 3-Years Total Onsite Service, Next Business Day  |
| 2350577 | 4-Years Total Onsite Service, Next Business Day  |
| 2350578 | 5-Years Total Onsite Service, Next Business Day  |
| 2350579 | 1-Year Onsite Service Renewal, Next Business Day |

| Part #  | User Replaceable Parts                                   |
|---------|--|
| 40X4724 | T65x, X654e, X656e, X658e Fuser Maintenance Kit 110-120V |
| 40X2665 | Oil Fuser Wiper  |
| 40X2666 | Wax Fuser Wiper  |
| 40X4540 | ADF Pick Roll Assembly                                   |
| 40X3444 | ADF Platen Cushion                                       |
| 40X4605 | ADF Separator Roll and Guide                             |
| 40X5852 | Dual Charge Roll Assembly                                |
| 40X1886 | Transfer Roll Assembly                                   |
| 40X4308 | Pick Roll Assembly                                       |
| 40X4769 | X65X ADF Maintenance Kit                                 |



# Lexmark X658dtfe

A complete office multifunction solution, featuring a space-saving design, extra input capacity, and a StapleSmart II™ Finisher, which staples up to 50 pages

## Print Technology

Monochrome Laser

## Function

Color Scanning, Copying, Faxing, Network Scanning, Printing

## Print Speed (Letter, Black)

Up to 55 ppm

## Print Speed (Letter, Black) Duplex

Up to 37 spm

## Time to First Page (Black)

As fast as 9.5 seconds

## Copy Speed (Letter, Black)

Up to 55 cpm

## Time to First Copy (Black)

As fast as 7.5 seconds

## Print Resolution, Black

1200 Image Quality, 1200 x 1200 dpi, 2400 Image

Quality, 600 x 600 dpi

## Scanning Resolution

600 X 600 dpi (black)

## Processor

600 Mhz

## Memory, Standard

256 MB

## Memory, Maximum

1280 MB

## Expandable Memory Options

Yes

## Apple Macintosh Operating Systems Supported

Mac OS X, Mac OS 9.2

## Citrix MetaFrame

Microsoft Windows 2000 Server running Terminal Services with Citrix Presentation Server 3.0, 4.0, Microsoft Windows Server 2003 running Terminal Services with Citrix Presentation Server 3.0, 4.0, 4.5, Microsoft Windows Server 2003 x64 running Terminal Services with Citrix Presentation Server 4.0 x64, 4.5 x64

## Linux Operating Systems Supported

Linpus Linux Desktop 9.2, 9.3, Red Hat Enterprise Linux WS 3.0, 4.0, 5.0, SUSE Linux Enterprise Server 8.0, 9.0, 10.0, SUSE Linux Enterprise Desktop 10, openSUSE 10.2, 10.3, 11.0, Linspire Linux 6.0, Debian GNU/Linux 4.0, Red Flag Linux Desktop 5.0, 6.0, Ubuntu 7.10, Ubuntu 8.04 LTS

## Microsoft Windows Operating Systems Supported

2000, XP, Server 2003, XP x64, Server 2003 running Terminal Services, 2000 Server running Terminal Services, Server 2003 x64, Server 2003 x64 running Terminal Services, Vista, Vista x64, Server 2008, Server 2008 x64, Server 2008 running Terminal Services, Server 2008 x64 running Terminal Services

## Novell Operating Systems Supported

Open Enterprise Server for Netware with NDS, iPrint or Novell Distributed Print Services (NDPS), NetWare 5.x, 6.x with iPrint or Novell Distributed Print Services (NDPS)

## UNIX Operating Systems Supported

Sun Solaris SPARC 8, 9, 10, Sun Solaris x86 10, HP-UX 11.11, 11.23, 11.31, IBM AIX 5.2, 5.3, 6.1

## Other Operating Systems Supported

IBM iSeries or IBM AS/400® Systems with TCP/IP with OS/400® V3R1 or later using OS/400 Host Print Transform, Virtually any platform supporting TCP/IP

## Paper Handling Standard

Integrated Duplex, 100-Sheet Multipurpose Feeder, 550-Sheet Input Tray, 550-Sheet Output Bin, 2 x 550-Sheet Drawers, StapleSmart II Finisher

## Paper Handling Optional

550-Sheet Drawer, Envelope Feeder

## Paper Input Capacity, Standard: Up to

1750 pages 20 lb or 75 gsm bond

## Paper Input Capacity, Maximum: Up to

2300 pages 20 lb or 75 gsm bond

## Paper Output Capacity, Standard: Up to

1050 pages 20 lb or 75 gsm bond

## Paper Output Capacity, Maximum: Up to

1050 pages 20 lb or 75 gsm bond

## ADF Paper Input Capacity

Up to 75 pages 20 lb or 75 gsm bond

## Finishing Option

Standard

## Number of Paper Inputs, Standard

4

## Number of Paper Inputs, Maximum

5

## Media Types Supported

Card Stock, Dual Web Labels, Envelopes, Integrated Labels, Paper Labels, Plain Paper, Polyester Labels, Transparencies, Vinyl Labels, Refer to the Card Stock & Label Guide

## Media Sizes Supported

10 Envelope, 7 3/4 Envelope, 9 Envelope, A4, A5, DL Envelope, Executive, Folio, JIS-B5, Legal, Letter, Statement, Universal, A6

## Standard Ports

Ethernet 10/100BaseTX (RJ-45), One Internal Card Slot, USB 2.0 Specification Hi-Speed Certified (Type B), USB Port (Type A) compatible with USB 2.0 Specification, Front USB Port, Compatible with USB 2.0 Specification (Type A)

## Optional Network Ports

Lexmark N4050e 802.11g Wireless Print Server (Print Only), External MarkNet™ N7020e Gigabit Ethernet, Internal MarkNet™ N8120 Gigabit Ethernet, Internal MarkNet™ N8130 Fiber Fast Ethernet, Internal MarkNet™ N8150 802.11b/g/n Wireless

## Network Printing Methods

LPR/LPD, Direct IP (Port 9100), Socket (Raw TCP/IP), HTTP, NDS Queue-based Printing, NDPS/NEPS (Novell Distributed Print Services, Novell Netware Enterprise Print Services), Enhanced IP (Port 9400), FTP, TFTP, IPP 1.1 (Internet Printing Protocol), ThinPrint .print integration

## Network Protocol Support

TCP/IP IPv4, IPX/SPX, AppleTalk™, LexLink (DLC), TCP/IP

IPv6, TCP, UDP

## Network Security

SNMPv3, 802.1x Authentication: MD5, MSCHAPv2, LEAP, PEAP, TLS, TTLS, IPsec

## Printable Area

0.167 inches of the top, bottom, right and left edges (within)

## Printer Languages (Standard)

PCL 5e Emulation, PCL 6 Emulation, Personal Printer Data Stream (PPDS), PostScript 3 Emulation, xHTML, PDF 1.6, Direct Image, Microsoft XPS (XML Paper Specification)

## Reduce / Enlarge Range

25 - 400 %

## Scan Area, Maximum

8.5 x 14 inches

## Modem Speed

33.6 Kbps

## Supplies Yield

25,000\*-page High Yield Print Cartridge, \*Average standard page yield value declared in accordance with ISO/IEC 19752, 7,000\*-page Print Cartridge, 36,000\*-page Extra High Yield Print Cartridge

## Cartridge(s) Shipping with Product

18,000\*-page starter Return Program Print Cartridge

## Packaged Size (in. - H x W x D)

56.89 x 39.76 x 33.07 in.

## Size (in. - H x W x D)

49.1 x 21.6 x 23.5 in.

## Size, Trays Extended (in. - H x W x D)

49.1 x 21.6 x 31.0 in.

## Weight (lb.)

176.5 lb.

## Noise Level, Idle

28 dBA

## Print Noise Level, Operating

55 dBA

## Copy Noise Level, Operating

55 dBA

## Scan Noise Level, Operating

55 dBA

## Product Warranty

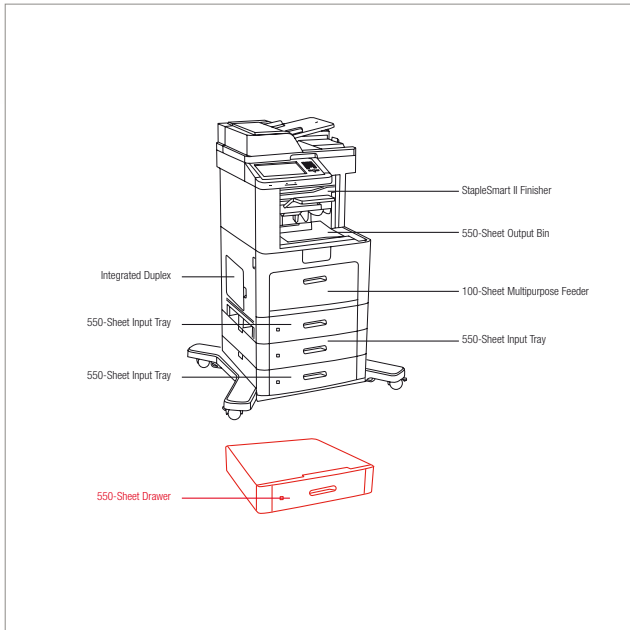
1-Year Onsite Service, Next Business Day

## Maximum Monthly Duty Cycle

Up to 275,000 pages per month

## Recommended Monthly Page Volume

5,000 - 30,000 pages



Paper Handling Standard  
 Paper Handling Optional

| Part #  | Model           |
|---------|-----------------|
| 16M1741 | Lexmark X658dte |

| Part #   | Laser Toner/Print Cartridge   |
|----------|---|
| X654X11A | X654, X656, X658 Extra High Yield Return Program Print Cartridge                        |
| X651H11A | X65x High Yield Return Program Print Cartridge  |
| X651A11A | X65x Return Program Print Cartridge   |
| X654X04A | X654, X656, X658 Extra High Yield Return Program Print Cartridge for Label Applications |
| X651H04A | X65x High Yield Return Program Print Cartridge for Label Applications                   |
| X654X21A | X654, X656, X658 Extra High Yield Print Cartridge                                       |
| X651H21A | X65x High Yield Print Cartridge   |
| X651A21A | X65x Print Cartridge  |
| 25A0013  | Staple Cartridges (3 pack)  |

| Part #  | Paper & Transparencies                |
|---------|---------------------------------------|
| 70X7240 | Laser Printer Transparencies (Letter) |

| Part #  | Paper Handling        |
|---------|-----------------------|
| 16M1100 | X658 550-Sheet Drawer |
| 30G0807 | Envelope Feeder       |

| Part #  | Memory Options                |
|---------|-------------------------------|
| 1025041 | 256MB DDR2-DRAM               |
| 1025042 | 512MB DDR2-DRAM               |
| 1025043 | 1024MB DDR2-DRAM              |
| 14F0245 | 256MB Flash Card              |
| 30G0828 | Japanese Font Card            |
| 30G0825 | Korean Font Card              |
| 30G0826 | Simplified Chinese Font Card  |
| 30G0827 | Traditional Chinese Font Card |

| Part #  | Application Solutions          |
|---------|--------------------------------|
| 30G0829 | Lexmark PrintCryption Card     |
| 16M1254 | X65x Card for IPDS and SCS/TNe |
| 16M1253 | X65x Forms and Bar Code Card   |

| Part #  | Connectivity  |
|---------|---|
| 1021294 | USB Cable (2-meter)   |
| 1021231 | Parallel Cable (10-foot)                                      |
| 14F0037 | MarkNet N8120 Gigabit Ethernet Print Server                   |
| 14F0042 | MarkNet N8130 Fiber Ethernet 100BaseFX, 10BaseFL Print Server |
| 14F0040 | MarkNet N8150 802.11b/g/n Wireless Print Server               |
| 14T0145 | Lexmark N4050e 802.11g Wireless Print Server                  |
| 14T0220 | MarkNet™ N7020e Gigabit Ethernet Print Server                 |
| 14F0000 | Parallel 1284-B Interface Card                                |
| 14F0100 | RS-232C Serial Interface Card                                 |

| Part #  | Extended Warranties                             |
|---------|---|
| 2350575 | 2-Years Total Onsite Service, Next Business Day |

|         |  |
|---------|--|
| 2350576 | 3-Years Total Onsite Service, Next Business Day  |
| 2350577 | 4-Years Total Onsite Service, Next Business Day  |
| 2350578 | 5-Years Total Onsite Service, Next Business Day  |
| 2350579 | 1-Year Onsite Service Renewal, Next Business Day |

| Part #  | User Replaceable Parts                                   |
|---------|--|
| 40X4724 | T65x, X654e, X656e, X658e Fuser Maintenance Kit 110-120V |
| 40X2665 | Oil Fuser Wiper  |
| 40X2666 | Wax Fuser Wiper  |
| 40X4540 | ADF Pick Roll Assembly                                   |
| 40X3444 | ADF Platen Cushion                                       |
| 40X4605 | ADF Separator Roll and Guide                             |
| 40X5852 | Dual Charge Roll Assembly                                |
| 40X1886 | Transfer Roll Assembly                                   |
| 40X4308 | Pick Roll Assembly                                       |
| 40X4769 | X65x ADF Maintenance Kit                                 |



# Lexmark X850e

High-volume four-function multifunction product, offering advanced finishing options and support for up to A3/11" x 17" paper, 35 ppm

## Print Technology

Monochrome Laser

### Function

Copying, Faxing, Network Scanning, Printing

### Print Speed (Letter, Black)

Up to 35 ppm

### Print Speed (Letter, Black) Duplex

Up to 35 ppm

### Time to First Page (Black)

As fast as 5.5 seconds

### Copy Speed (Letter, Black)

Up to 35 cpm

### Time to First Copy (Black)

As fast as 7 seconds

### Print Resolution, Black

1200 x 1200 dpi, 2400 Image Quality, 600 x 600 dpi

### Scanning Resolution

600 X 600 dpi, 600 X 300 dpi (color)

### Processor

625 Mhz

### Memory, Standard

256 MB

### Memory, Maximum

768 MB

### Expandable Memory Options

Yes

### Apple Macintosh Operating Systems Supported

Mac OS X, Mac OS 9.2

### Citrix MetaFrame

Microsoft Windows 2000 Server running Terminal Services with Citrix MetaFrame XP Presentation Server or Citrix MetaFrame Presentation Server 3.0, Microsoft Windows Server 2003 running Terminal Services with Citrix MetaFrame XP Presentation Server or Citrix MetaFrame Presentation Server 3.0, Microsoft Windows 2000 Server running Terminal Services with Citrix Presentation Server 4.0, Microsoft Windows Server 2003 running Terminal Services with Citrix Presentation Server 4.0, Microsoft Windows Server 2003 x64 running Terminal Services with Citrix Presentation Server 4.0

### Linux Operating Systems Supported

Red Flag Linux Desktop 4.0, 5.0, Linpus Linux Desktop 9.2, 9.3, Red Hat Enterprise Linux WS 3.0, 4.0, 5.0, SUSE Linux Enterprise Server 8.0, 9.0, 10.0, SUSE LINUX professional 9.1, 9.2, 9.3, Debian GNU/Linux 3.1, 4.0, Linspire Linux 5.0

### Microsoft Windows Operating Systems Supported

2000, NT (4.00/4.00 Server), Me, XP, Server 2003, 98 2nd Edition, XP x64, Server 2003 running Terminal Services, 2000 Server running Terminal Services, Server 2003 x64, Server 2003 x64 running Terminal Services, Vista, Vista x64

### Novell Operating Systems Supported

Open Enterprise Server for Netware with NDS, iPrint or Novell Distributed Print Services (NDPS), NetWare® 3.2, 4.2 (bindery), NetWare 4.2, 5.x and 6.x (NDS), NetWare 5.x, 6.x with iPrint or Novell Distributed Print Services (NDPS)

## UNIX Operating Systems Supported

Sun Solaris SPARC 8, 9, 10, HP-UX 11.00, 11.1, IBM AIX 5.1, 5.2, 5.3, Sun Solaris x86 10

## Other Operating Systems Supported

IBM iSeries or IBM AS/400® Systems with TCP/IP with OS/400® V3R1 or later using OS/400 Host Print Transform, Virtually any platform supporting TCP/IP

## Paper Handling Standard

500-Sheet Output Bin, Duplex Unit, Two 500-Sheet Trays, 100-Sheet Multipurpose Feeder, 2,000-Sheet Dual Input

## Paper Handling Optional

2,000-Sheet High-Capacity Feeder, 3,500-Sheet Finisher, Booklet Finisher

## Paper Input Capacity, Standard: Up to

3100 pages 20 lb or 75 gsm bond

## Paper Input Capacity, Maximum: Up to

5100 pages 20 lb or 75 gsm bond

## Paper Output Capacity, Standard: Up to

500 pages 20 lb or 75 gsm bond

## Paper Output Capacity, Maximum: Up to

3800 pages 20 lb or 75 gsm bond

## ADF Paper Input Capacity

Up to 75 pages 20 lb or 75 gsm bond

## Finishing Option

Yes

## Number of Paper Inputs, Standard

5

## Number of Paper Inputs, Maximum

6

## Media Types Supported

Card Stock, Envelopes, Paper Labels, Plain Paper, Transparencies, Refer to the Card Stock & Label Guide

## Media Sizes Supported

10 Envelope, 7 3/4 Envelope, A3, A4, A5, C5 Envelope, DL Envelope, Executive, Folio, JIS-B4, JIS-B5, Ledger, Legal, Letter, Statement, Universal

## Standard Ports

Centronics IEEE 1284 Bidirectional Parallel, Ethernet 10/100BaseTX (RJ-45), One Internal Card Slot, USB Compatible with USB 2.0 Specification (Type B), USB Direct interface on Operator Panel, USB Port (Type A) compatible with USB 2.0 Specification

## Optional Network Ports

Lexmark N4050e 802.11g Wireless Print Server (Print Only), Internal MarkNet™ N8020 Gigabit Ethernet, Internal MarkNet™ N8050 802.11g Wireless, Internal MarkNet™ N8030 Fiber Fast Ethernet

## Network Printing Methods

LPR/LPD, Direct IP (Port 9100), Socket (Raw TCP/IP), IPP (Internet Printing Protocol), HTTP, NDS Queue-based Printing, NDPS/NEPS (Novell Distributed Print Services, Novell Netware Enterprise Print Services), Enhanced IP (Port 9400), FTP, TFTP

## Network Protocol Support

TCP/IP IPv4, IPX/SPX, AppleTalk™, LexLink (LDC), TCP/IP IPv6

## Network Security

SSL\* Enabled Embedded Web Server (HTTPS), SNMPv3, TCP/IP port access control, Authenticated and encrypted MarkVision Professional communication, 802.1x Authentication: MD5, MSCHAPv2, LEAP, PEAP, TLS, TTLS, IPsec, \*This product includes software developed by the OpenSSL Project for use in the OpenSSL Toolkit.

## Printable Area

0.157 inches of the top, bottom, right and left edges (within)

## Printer Languages (Standard)

PCL 5e Emulation, PCL 6 Emulation, Personal Printer Data Stream (PPDS), PostScript 3 Emulation, PDF 1.5, xHTML

## Reduce / Enlarge Range

25 - 400 %

## Scan Area, Maximum

11.7 x 17 inches

## Modem Speed

33.6 Kbps

## Supplies Yield

\*Average standard page yield value declared in accordance with ISO/IEC 19752., 30,000\*-page Toner Cartridge, 48,000\*-page Photoconductor Unit

## Cartridge(s) Shipping with Product

30,000\*-page Toner Cartridge

## Packaged Size (in. - H x W x D)

54.3 x 35 x 33.5 in.

## Size (in. - H x W x D)

43 x 25 x 25.5 in.

## Weight (lb.)

233 lb.

## Noise Level, Idle

32 dBA

## Print Noise Level, Operating

52 dBA

## Copy Noise Level, Operating

56 dBA

## Scan Noise Level, Operating

54 dBA

## Product Warranty

One Year Onsite Repair, Next Business Day

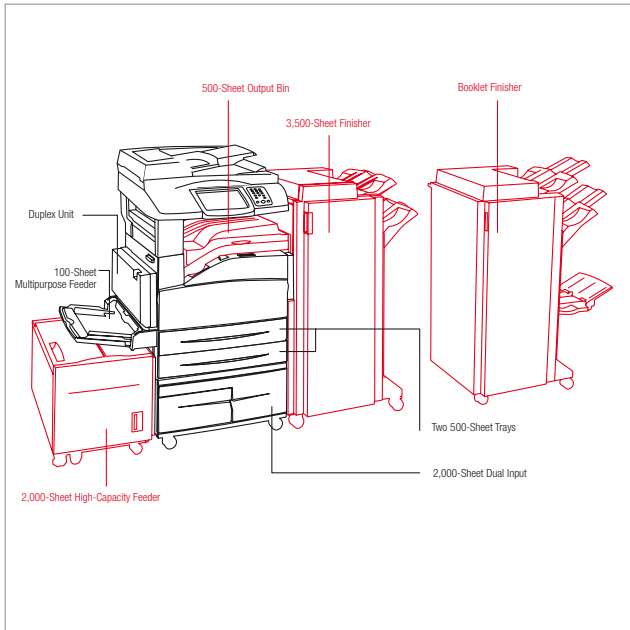
## Maximum Monthly Duty Cycle

Up to 150,000 pages per month

## Recommended Monthly Page Volume

10,000 - 39,000 pages





Paper Handling Standard  
 Paper Handling Optional

| Part #  | Model         |
|---------|---------------|
| 15R0050 | Lexmark X850e |

| Part #   | Laser Toner/Print Cartridge               |
|----------|---|
| X850H21G | X850e, X852e, X854e Toner Cartridge       |
| X850H22G | X850e, X852e and X854e Photoconductor Kit |
| 25A0013  | Staple Cartridges (3 pack)                |
| 21Z0357  | Booklet Saddle Staple Cartridges (4 pack) |

| Part #  | Paper & Transparencies                |
|---------|---------------------------------------|
| 70X7240 | Laser Printer Transparencies (Letter) |

| Part #  | Paper Handling                                  |
|---------|---|
| 15R0145 | X850e, X852e, X854e, W840 High Capacity Feeder  |
| 15R0144 | X850e, X852e, X854e, W840 Finisher (2 / 3-Hole) |
| 15R0335 | X850e, X852e, X854e Booklet Finisher (2/3-Hole) |

| Part #  | Memory Options                |
|---------|-------------------------------|
| 13N1523 | 128MB DDR-DRAM                |
| 13N1524 | 256MB DDR-DRAM                |
| 13N1526 | 512MB DDR-DRAM                |
| 1021208 | 32MB Flash Card               |
| 1021209 | 64MB Flash Card               |
| 1021243 | Japanese Font Card            |
| 1021240 | Korean Font Card              |
| 1021241 | Simplified Chinese Font Card  |
| 1021242 | Traditional Chinese Font Card |

| Part #  | Application Solutions  |
|---------|--|
| 15R0092 | X850e, X852e, X854e Card for IPDS/SCS/TNe                      |
| 15R0091 | X850e, X852e, X854e Bar Code Card                              |
| 15R0095 | X850e, X852e, X854e Card for PRESCRIBE Emulation               |
| 15R0094 | X850e, X852e, X854e Forms Card                                 |
| 15R0093 | Lexmark PrintCryption Card for the Lexmark X850e, X852e, X854e |

| Part #  | Connectivity                                      |
|---------|---|
| 1021294 | USB Cable (2-meter)                               |
| 1021231 | Parallel Cable (10-foot)                          |
| 1021091 | Parallel 1284-B Interface Card                    |
| 1021092 | RS-232C Serial Interface Card                     |
| 14T0145 | Lexmark N4050e 802.11g Wireless Print Server      |
| 14S0200 | MarkNet™ N8020 Gigabit Ethernet Print Server      |
| 14S0220 | MarkNet™ N8030 Fiber Ethernet 100BaseFX, 10BaseFL |
| 14S0165 | MarkNet™ N8050 802.11g Wireless Print Server      |
| 14T0220 | MarkNet™ N7020e Gigabit Ethernet Print Server     |

| Part #  | Extended Warranties  |
|---------|--|
| 2348408 | 2-Years Total Onsite Service (600,000 Impressions), Next Business Day        |
| 2348409 | 3-Years Total Onsite Service (or 1.2 Million Impressions), Next Business Day |

|         |  |
|---------|--|
| 2348410 | 4-Years Total Onsite Service (or 1.8 Million Impressions), Next Business Day |
| 2348412 | 1-Year Onsite Service (or 600,000 Impressions) Renewal, Next Business Day    |

| Part #  | User Replaceable Parts                             |
|---------|--|
| 40X2375 | X850e, X852e, X854e Fuser Maintenance Kit 110-120V |

| Part #  | Service Parts                              |
|---------|--|
| 40X2734 | X850e, X852e, X854e ADF Maintenance Kit    |
| 40X0770 | X850e, X852e, X854e ADF Feed unit roll kit |



# Lexmark X850e VE3

High-volume three-function multifunction product that offers an affordable path to workgroup efficiency

## Print Technology

Monochrome Laser

## Function

Copying, Network Scanning, Printing

**Print Speed (Letter, Black)**

Up to 35 ppm

**Print Speed (Letter, Black) Duplex**

Up to 35 spm

**Time to First Page (Black)**

As fast as 5.5 seconds

**Copy Speed (Letter, Black)**

Up to 35 cpm

**Time to First Copy (Black)**

As fast as 7 seconds

**Print Resolution, Black**

1200 x 1200 dpi, 2400 Image Quality, 600 x 600 dpi

**Scanning Resolution**

600 X 600 dpi, 600 X 300 dpi (color)

**Processor**

625 MHz

**Memory, Standard**

256 MB

**Memory, Maximum**

768 MB

**Expandable Memory Options**

Yes

**Apple Macintosh Operating Systems Supported**

Mac OS X, Mac OS 9.2

**Citrix MetaFrame**

Microsoft Windows 2000 Server running Terminal Services with Citrix MetaFrame XP Presentation Server or Citrix MetaFrame Presentation Server 3.0, Microsoft Windows Server 2003 running Terminal Services with Citrix MetaFrame XP Presentation Server or Citrix MetaFrame Presentation Server 3.0, Microsoft Windows 2000 Server running Terminal Services with Citrix Presentation Server 4.0, Microsoft Windows Server 2003 running Terminal Services with Citrix Presentation Server 4.0, Microsoft Windows Server 2003 x64 running Terminal Services with Citrix Presentation Server 4.0

**Linux Operating Systems Supported**

Red Flag Linux Desktop 4.0, 5.0, Linpus Linux Desktop 9.2, 9.3, Red Hat Enterprise Linux WS 3.0, 4.0, 5.0, SUSE Linux Enterprise Server 8.0, 9.0, 10.0, SUSE Linux Professional 9.1, 9.2, 9.3, Debian GNU/Linux 3.1, 4.0, Linspire Linux 5.0

**Microsoft Windows Operating Systems Supported**

2000, XP, Server 2003, XP x64, Server 2003 running Terminal Services, 2000 Server running Terminal Services, Server 2003 x64, Server 2003 x64 running Terminal Services, Vista, Vista x64

**Novell Operating Systems Supported**

Open Enterprise Server for Netware with NDS, iPrint or Novell Distributed Print Services (NDPS), NetWare® 3.2, 4.2 (bindery), NetWare 4.2, 5.x and 6.x (NDS), NetWare 5.x, 6.x with iPrint or Novell Distributed Print Services (NDPS)

## UNIX Operating Systems Supported

Sun Solaris SPARC 8, 9, 10, HP-UX 11.00, 11.1, IBM AIX 5.1, 5.2, 5.3, Sun Solaris x86 10

**Other Operating Systems Supported**

IBM iSeries or IBM AS/400® Systems with TCP/IP with OS/400® V3R1 or later using OS/400 Host Print Transform, Virtually any platform supporting TCP/IP

## Paper Handling Standard

500-Sheet Output Bin, Duplex Unit, Two 500-Sheet Trays, 100-Sheet Multipurpose Feeder

## Paper Handling Optional

2,000-Sheet High-Capacity Feeder, 2,000-Sheet Dual Input, 2 x 500-Sheet Drawer, 3,500-Sheet Finisher, Booklet Finisher

**Paper Input Capacity, Standard: Up to**

1100 pages 20 lb or 75 gsm bond

**Paper Input Capacity, Maximum: Up to**

5100 pages 20 lb or 75 gsm bond

**Paper Output Capacity, Standard: Up to**

500 pages 20 lb or 75 gsm bond

**Paper Output Capacity, Maximum: Up to**

3800 pages 20 lb or 75 gsm bond

**ADF Paper Input Capacity**

Up to 75 pages 20 lb or 75 gsm bond

**Finishing Option**

Yes

**Number of Paper Inputs, Standard**

3

**Number of Paper Inputs, Maximum**

6

**Media Types Supported**

Card Stock, Envelopes, Paper Labels, Plain Paper, Transparencies, Refer to the Card Stock & Label Guide

**Media Sizes Supported**

10 Envelope, 7 3/4 Envelope, A3, A4, A5, C5 Envelope, DL Envelope, Executive, Folio, JIS-B4, JIS-B5, Ledger, Legal, Letter, Statement, Universal

## Standard Ports

Centronics IEEE 1284 Bidirectional Parallel, Ethernet 10/100BaseTX (RJ-45), One Internal Card Slot, USB Compatible with USB 2.0 Specification (Type B), USB Direct interface on Operator Panel, USB Port (Type A) compatible with USB 2.0 Specification

**Optional Network Ports**

Lexmark N4050e 802.11g Wireless Print Server (Print Only), Internal MarkNet™ N8020 Gigabit Ethernet, Internal MarkNet™ N8050 802.11g Wireless, Internal MarkNet™ N8030 Fiber Fast Ethernet

**Network Printing Methods**

LPR/LPD, Direct IP (Port 9100), Socket (Raw TCP/IP), IPP (Internet Printing Protocol), HTTP, NDS Queue-based Printing, NDPS/NEPS (Novell Distributed Print Services, Novell Network Enterprise Print Services), Enhanced IP (Port 9400), FTP, TFTP

## Network Protocol Support

TCP/IP IPv4, IPX/SPX, AppleTalk™, LexLink (DLC), TCP/IP IPv6

**Network Security**

SSL\* Enabled Embedded Web Server (HTTPS), SNMPv3, TCP/IP port access control, Authenticated and encrypted MarkVision Professional communication, 802.1x Authentication: MD5, MSCHAPv2, LEAP, PEAP, TLS, TTLS, IPsec, \*This product includes software developed by the OpenSSL Project for use in the OpenSSL Toolkit.

**Printable Area**

0.157 inches of the top, bottom, right and left edges (width)

**Printer Languages (Standard)**

PCL 5e Emulation, PCL 6 Emulation, Personal Printer Data Stream (PPDS), PostScript 3 Emulation, PDF 1.5, xHTML

**Reduce / Enlarge Range**

25 - 400 %

**Scan Area, Maximum**

11.7 x 17 inches

## Supplies Yield

\*Average standard page yield value declared in accordance with ISO/IEC 19752, 30,000\*-page Toner Cartridge, 48,000\*-page Photoconductor Unit

**Cartridge(s) Shipping with Product**

30,000\*-page Toner Cartridge

**Packaged Size (in. - H x W x D)**

41.14 x 34.45 x 32.87 in.

**Size (in. - H x W x D)**

31.5 x 25 x 25.1 in.

**Weight (lb.)**

166.8 lb.

**Noise Level, Idle**

32 dBA

**Print Noise Level, Operating**

52 dBA

**Copy Noise Level, Operating**

56 dBA

**Scan Noise Level, Operating**

54 dBA

**Product Warranty**

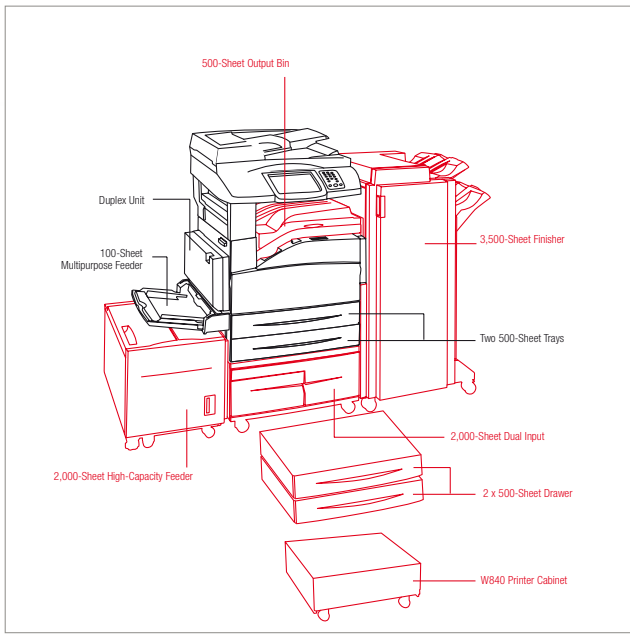
1-Year or 600,000 impressions - Onsite Repair

**Maximum Monthly Duty Cycle**

Up to 150,000 pages per month

**Recommended Monthly Page Volume**

10,000 - 39,000 pages



Paper Handling Standard  
 Paper Handling Optional

| Part #  | Model             |
|---------|-------------------|
| 15R0700 | Lexmark X850e VE3 |

| Part #   | Laser Toner/Print Cartridge               |
|----------|---|
| X850H21G | X850e, X852e, X854e Toner Cartridge       |
| X850H22G | X850e, X852e and X854e Photoconductor Kit |
| 25A0013  | Staple Cartridges (3 pack)                |
| 21Z0357  | Booklet Saddle Staple Cartridges (4 pack) |

| Part #  | Paper & Transparencies                |
|---------|---------------------------------------|
| 70X7240 | Laser Printer Transparencies (Letter) |

| Part #  | Paper Handling                                  |
|---------|---|
| 15R0146 | W840 2 x 500-Sheet Drawer                       |
| 15R0120 | W840 2000-Sheet Dual Input                      |
| 15R0145 | X850e, X852e, X854e, W840 High Capacity Feeder  |
| 15R0144 | X850e, X852e, X854e, W840 Finisher (2 / 3-Hole) |
| 15R0335 | X850e, X852e, X854e Booklet Finisher (2/3-Hole) |

| Part #  | Furniture            |
|---------|----------------------|
| 15R0140 | W840 Printer Cabinet |

| Part #  | Memory Options                |
|---------|-------------------------------|
| 13N1523 | 128MB DDR-DRAM                |
| 13N1524 | 256MB DDR-DRAM                |
| 13N1526 | 512MB DDR-DRAM                |
| 1021208 | 32MB Flash Card               |
| 1021209 | 64MB Flash Card               |
| 1021243 | Japanese Font Card            |
| 1021240 | Korean Font Card              |
| 1021241 | Simplified Chinese Font Card  |
| 1021242 | Traditional Chinese Font Card |

| Part #  | Application Solutions   |
|---------|---|
| 15R0092 | X850e, X852e, X854e Card for IPDS/SCS/TNe                     |
| 15R0091 | X850e, X852e, X854e Bar Code Card                             |
| 15R0095 | X850e, X852e, X854e Card for PRESCRIBE Emulation              |
| 15R0094 | X850e, X852e, X854e Forms Card                                |
| 15R0093 | Lexmark PrintCrypton Card for the Lexmark X850e, X852e, X854e |

| Part #  | Connectivity                                      |
|---------|---|
| 1021294 | USB Cable (2-meter)                               |
| 1021231 | Parallel Cable (10-foot)                          |
| 1021091 | Parallel 1284-B Interface Card                    |
| 1021092 | RS-232C Serial Interface Card                     |
| 14T0145 | Lexmark N4050e 802.11g Wireless Print Server      |
| 14S0200 | MarkNet™ N8020 Gigabit Ethernet Print Server      |
| 14S0220 | MarkNet™ N8030 Fiber Ethernet 100BaseFX, 10BaseFL |
| 14S0165 | MarkNet™ N8050 802.11g Wireless Print Server      |
| 14T0220 | MarkNet™ N7020e Gigabit Ethernet Print Server     |

| Part #  | Extended Warranties  |
|---------|--|
| 2348408 | 2-Years Total Onsite Service (600,000 Impressions), Next Business Day        |
| 2348409 | 3-Years Total Onsite Service (or 1.2 Million Impressions), Next Business Day |
| 2348410 | 4-Years Total Onsite Service (or 1.8 Million Impressions), Next Business Day |
| 2348412 | 1-Year Onsite Service (or 600,000 Impressions) Renewal, Next Business Day    |

| Part #  | User Replaceable Parts                             |
|---------|--|
| 40X2375 | X850e, X852e, X854e Fuser Maintenance Kit 110-120V |

| Part #  | Service Parts                              |
|---------|--|
| 40X2734 | X850e, X852e, X854e ADF Maintenance Kit    |
| 40X0770 | X850e, X852e, X854e ADF Feed unit roll kit |



# Lexmark X850e VE4

High-volume four-function multifunction product that offers an affordable path to workgroup efficiency

## Print Technology

Monochrome Laser

### Function

Copying, Faxing, Network Scanning, Printing

### Print Speed (Letter, Black)

Up to 35 ppm

### Print Speed (Letter, Black) Duplex

Up to 35 ppm

### Time to First Page (Black)

As fast as 5.5 seconds

### Copy Speed (Letter, Black)

Up to 35 ppm

### Time to First Copy (Black)

As fast as 7 seconds

### Print Resolution, Black

1200 x 1200 dpi, 2400 Image Quality, 600 x 600 dpi

### Scanning Resolution

600 X 600 dpi, 600 X 300 dpi (color)

### Processor

625 MHz

### Memory, Standard

256 MB

### Memory, Maximum

768 MB

### Expandable Memory Options

Yes

### Apple Macintosh Operating Systems Supported

Mac OS X, Mac OS 9.2

### Citrix MetaFrame

Microsoft Windows Server 2003 running Terminal Services with Citrix MetaFrame XP Presentation Server or Citrix MetaFrame Presentation Server 3.0, Microsoft Windows Server 2003 running Terminal Services with Citrix Presentation Server 4.0, Microsoft Windows Server 2003 x64 running Terminal Services with Citrix Presentation Server 4.0, Microsoft Windows 2000 Server running Terminal Services with Citrix Presentation Server 4.0, Citrix Presentation Server 3.0, 4.0

### Linux Operating Systems Supported

Red Flag Linux Desktop 4.0, 5.0, Linpus Linux Desktop 9.2, 9.3, Red Hat Enterprise Linux WS 3.0, 4.0, 5.0, SUSE Linux Enterprise Server 8.0, 9.0, 10.0, SUSE Linux Professional 9.1, 9.2, 9.3, Debian GNU/Linux 3.1, 4.0, Linspire Linux 5.0

### Microsoft Windows Operating Systems Supported

2000, XP, Server 2003, XP x64, Server 2003 running Terminal Services, 2000 Server running Terminal Services, Server 2003 x64, Server 2003 x64 running Terminal Services, Vista, Vista x64

### Novell Operating Systems Supported

Open Enterprise Server for Netware with NDS, iPrint or Novell Distributed Print Services (NDPS), NetWare® 3.2, 4.2 (bindery), NetWare 4.2, 5.x and 6.x (NDS), NetWare 5.x, 6.x with iPrint or Novell Distributed Print Services (NDPS)

### UNIX Operating Systems Supported

Sun Solaris SPARC 8, 9, 10, HP-UX 11.00, 11.1, IBM AIX 5.1, 5.2, 5.3, Sun Solaris x86 10

## Other Operating Systems Supported

IBM iSeries or IBM AS/400® Systems with TCP/IP with OS/400® V3R1 or later using OS/400 Host Print Transform, Virtually any platform supporting TCP/IP

### Paper Handling Standard

500-Sheet Output Bin, Duplex Unit, Two 500-Sheet Trays, 100-Sheet Multipurpose Feeder

### Paper Handling Optional

2,000-Sheet High-Capacity Feeder, 2,000-Sheet Dual Input, 2 x 500-Sheet Drawer, 3,500-Sheet Finisher, Booklet Finisher

### Paper Input Capacity, Standard: Up to

1100 pages 20 lb or 75 gsm bond

### Paper Input Capacity, Maximum: Up to

5100 pages 20 lb or 75 gsm bond

### Paper Output Capacity, Standard: Up to

500 pages 20 lb or 75 gsm bond

### Paper Output Capacity, Maximum: Up to

3800 pages 20 lb or 75 gsm bond

### ADF Paper Input Capacity

Up to 75 pages 20 lb or 75 gsm bond

### Finishing Option

Yes

### Number of Paper Inputs, Standard

3

### Number of Paper Inputs, Maximum

6

### Media Types Supported

Card Stock, Envelopes, Paper Labels, Plain Paper, Transparencies, Refer to the Card Stock & Label Guide

### Media Sizes Supported

10 Envelope, 7 3/4 Envelope, A3, A4, A5, C5 Envelope, DL Envelope, Executive, Folio, JIS-B4, JIS-B5, Ledger, Legal, Letter, Statement, Universal

## Standard Ports

Centronics IEEE 1284 Bidirectional Parallel, Ethernet 10/100BaseTX (RJ-45), One Internal Card Slot, USB Compatible with USB 2.0 Specification (Type B), USB Direct interface on Operator Panel, USB Port (Type A) compatible with USB 2.0 Specification

### Optional Network Ports

Lexmark N4050e 802.11g Wireless Print Server (Print Only), Internal MarkNet™ N8020 Gigabit Ethernet, Internal MarkNet™ N8050 802.11g Wireless, Internal MarkNet™ N8030 Fiber Fast Ethernet

### Network Printing Methods

LPR/LPD, Direct IP (Port 9100), Socket (Raw TCP/IP), IPP (Internet Printing Protocol), HTTP, NDS Queue-based Printing, NDPS/NEPS (Novell Distributed Print Services, Novell Network Enterprise Print Services), Enhanced IP (Port 9400), FTP, TFTP

### Network Protocol Support

TCP/IP IPv4, IPX/SPX, AppleTalk™, LexLink (DLC), TCP/IP IPv6

## Network Security

SSL\* Enabled Embedded Web Server (HTTPS), SNMPv3, TCP/IP port access control, Authenticated and encrypted MarkVision Professional communication, 802.1x Authentication: MD5, MSCHAPv2, LEAP, PEAP, TLS, TTLS, IPsec, \*This product includes software developed by the OpenSSL Project for use in the OpenSSL Toolkit.

### Printable Area

0.157 inches of the top, bottom, right and left edges (within)

### Printer Languages (Standard)

PCL 5e Emulation, PCL 6 Emulation, Personal Printer Data Stream (PPDS), PostScript 3 Emulation, PDF 1.5, xHTML

### Reduce / Enlarge Range

25 - 400 %

### Scan Area, Maximum

11.7 x 17 inches

### Modem Speed

33.6 Kbps

## Supplies Yield

\*Average standard page yield value declared in accordance with ISO/IEC 19752, 30,000\*-page Toner Cartridge, 48,000-page Photoconductor Unit

### Cartridge(s) Shipping with Product

30,000\*-page Toner Cartridge

### Packaged Size (in. - H x W x D)

41.14 x 34.45 x 32.87 in.

### Size (in. - H x W x D)

31.5 x 25 x 25.5 in.

### Weight (lb.)

166.8 lb.

### Noise Level, Idle

32 dBA

### Print Noise Level, Operating

52 dBA

### Copy Noise Level, Operating

56 dBA

### Scan Noise Level, Operating

54 dBA

### Product Warranty

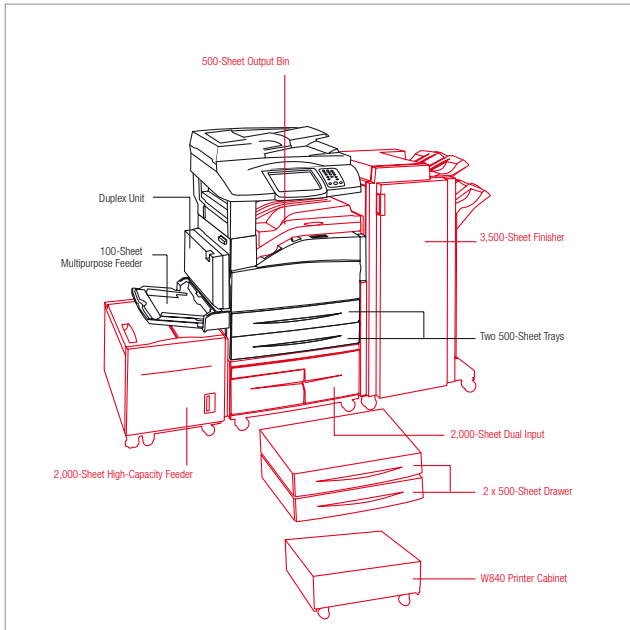
1-Year or 600,000 impressions - Onsite Repair

### Maximum Monthly Duty Cycle

Up to 150,000 pages per month

### Recommended Monthly Page Volume

10,000 - 39,000 pages



Paper Handling Standard  
 Paper Handling Optional

| Part #  | Model             |
|---------|-------------------|
| 15R0701 | Lexmark X850e VE4 |

| Part #   | Laser Toner/Print Cartridge               |
|----------|---|
| X850H21G | X850e, X852e, X854e Toner Cartridge       |
| X850H22G | X850e, X852e and X854e Photoconductor Kit |
| 25A0013  | Staple Cartridges (3 pack)                |
| 21Z0357  | Booklet Saddle Staple Cartridges (4 pack) |

| Part #  | Paper & Transparencies                |
|---------|---------------------------------------|
| 70X7240 | Laser Printer Transparencies (Letter) |

| Part #  | Paper Handling                                  |
|---------|---|
| 15R0146 | W840 2 x 500-Sheet Drawer                       |
| 15R0120 | W840 2000-Sheet Dual Input                      |
| 15R0145 | X850e, X852e, X854e, W840 High Capacity Feeder  |
| 15R0144 | X850e, X852e, X854e, W840 Finisher (2 / 3-Hole) |
| 15R0335 | X850e, X852e, X854e Booklet Finisher (2/3-Hole) |

| Part #  | Furniture            |
|---------|----------------------|
| 15R0140 | W840 Printer Cabinet |

| Part #  | Memory Options                |
|---------|-------------------------------|
| 13N1523 | 128MB DDR-DRAM                |
| 13N1524 | 256MB DDR-DRAM                |
| 13N1526 | 512MB DDR-DRAM                |
| 1021208 | 32MB Flash Card               |
| 1021209 | 64MB Flash Card               |
| 1021243 | Japanese Font Card            |
| 1021240 | Korean Font Card              |
| 1021241 | Simplified Chinese Font Card  |
| 1021242 | Traditional Chinese Font Card |

| Part #  | Application Solutions  |
|---------|--|
| 15R0092 | X850e, X852e, X854e Card for IPDS/SCS/TNe                      |
| 15R0091 | X850e, X852e, X854e Bar Code Card                              |
| 15R0095 | X850e, X852e, X854e Card for PRESCRIBE Emulation               |
| 15R0094 | X850e, X852e, X854e Forms Card                                 |
| 15R0093 | Lexmark PrintCryption Card for the Lexmark X850e, X852e, X854e |

| Part #  | Connectivity                                      |
|---------|---|
| 1021294 | USB Cable (2-meter)                               |
| 1021231 | Parallel Cable (10-foot)                          |
| 1021091 | Parallel 1284-B Interface Card                    |
| 1021092 | RS-232C Serial Interface Card                     |
| 14T0145 | Lexmark N4050e 802.11g Wireless Print Server      |
| 14S0200 | MarkNet™ N8020 Gigabit Ethernet Print Server      |
| 14S0220 | MarkNet™ N8030 Fiber Ethernet 100BaseFX, 10BaseFL |
| 14S0165 | MarkNet™ N8050 802.11g Wireless Print Server      |
| 14T0220 | MarkNet™ N7020e Gigabit Ethernet Print Server     |

| Part #  | Extended Warranties  |
|---------|--|
| 2348408 | 2-Years Total Onsite Service (600,000 Impressions), Next Business Day        |
| 2348409 | 3-Years Total Onsite Service (or 1.2 Million Impressions), Next Business Day |
| 2348410 | 4-Years Total Onsite Service (or 1.8 Million Impressions), Next Business Day |
| 2348412 | 1-Year Onsite Service (or 600,000 Impressions) Renewal, Next Business Day    |

| Part #  | User Replaceable Parts                             |
|---------|--|
| 40X2375 | X850e, X852e, X854e Fuser Maintenance Kit 110-120V |

| Part #  | Service Parts                              |
|---------|--|
| 40X2734 | X850e, X852e, X854e ADF Maintenance Kit    |
| 40X0770 | X850e, X852e, X854e ADF Feed unit roll kit |



# Lexmark X852e

High-volume four-function multifunction product with advanced finishing options and support for up to A3/11" x 17" paper, 45 ppm

## Print Technology

Monochrome Laser

### Function

Copying, Faxing, Network Scanning, Printing

### Print Speed (Letter, Black)

Up to 45 ppm

### Print Speed (Letter, Black) Duplex

Up to 45 spm

### Time to First Page (Black)

As fast as 5.5 seconds

### Copy Speed (Letter, Black)

Up to 45 cpm

### Time to First Copy (Black)

As fast as 7 seconds

### Print Resolution, Black

1200 x 1200 dpi, 2400 Image Quality, 600 x 600 dpi

### Scanning Resolution

600 X 600 dpi, 600 X 300 dpi (color)

### Processor

625 Mhz

### Memory, Standard

256 MB

### Memory, Maximum

768 MB

### Expandable Memory Options

Yes

### Apple Macintosh Operating Systems Supported

Mac OS X, Mac OS 9.2

### Citrix MetaFrame

Microsoft Windows 2000 Server running Terminal Services with Citrix MetaFrame XP Presentation Server or Citrix MetaFrame Presentation Server 3.0, Microsoft Windows Server 2003 running Terminal Services with Citrix MetaFrame XP Presentation Server or Citrix MetaFrame Presentation Server 3.0, Microsoft Windows 2000 Server running Terminal Services with Citrix Presentation Server 4.0, Microsoft Windows Server 2003 running Terminal Services with Citrix Presentation Server 4.0, Microsoft Windows Server 2003 x64 running Terminal Services with Citrix Presentation Server 4.0

### Linux Operating Systems Supported

Red Flag Linux Desktop 4.0, 5.0, Linpus Linux Desktop 9.2, 9.3, Red Hat Enterprise Linux WS 3.0, 4.0, 5.0, SUSE Linux Enterprise Server 8.0, 9.0, 10.0, SUSE Linux Professional 9.1, 9.2, 9.3, Debian GNU/Linux 3.1, 4.0, Linspire Linux 5.0

### Microsoft Windows Operating Systems Supported

2000, NT (4.00/4.00 Server), Me, XP, Server 2003, 98 2nd Edition, XP x64, Server 2003 running Terminal Services, 2000 Server running Terminal Services, Server 2003 x64, Server 2003 x64 running Terminal Services, Vista, Vista x64

### Novell Operating Systems Supported

Open Enterprise Server for Netware with NDS, iPrint or Novell Distributed Print Services (NDPS), NetWare® 3.2, 4.2 (bindery), NetWare 4.2, 5.x and 6.x (NDS), NetWare 5.x, 6.x with iPrint or Novell Distributed Print Services (NDPS)

## UNIX Operating Systems Supported

Sun Solaris SPARC 8, 9, 10, HP-UX 11.00, 11.1, IBM AIX 5.1, 5.2, 5.3, Sun Solaris x86 10

## Other Operating Systems Supported

IBM iSeries or IBM AS/400® Systems with TCP/IP with OS/400® V3R1 or later using OS/400 Host Print Transform, Virtually any platform supporting TCP/IP

## Paper Handling Standard

500-Sheet Output Bin, Duplex Unit, Two 500-Sheet Trays, 100-Sheet Multipurpose Feeder, 2,000-Sheet Dual Input

## Paper Handling Optional

2,000-Sheet High-Capacity Feeder, 3,500-Sheet Finisher, Booklet Finisher

## Paper Input Capacity, Standard: Up to

3100 pages 20 lb or 75 gsm bond

## Paper Input Capacity, Maximum: Up to

5100 pages 20 lb or 75 gsm bond

## Paper Output Capacity, Standard: Up to

500 pages 20 lb or 75 gsm bond

## Paper Output Capacity, Maximum: Up to

3800 pages 20 lb or 75 gsm bond

## ADF Paper Input Capacity

Up to 75 pages 20 lb or 75 gsm bond

## Finishing Option

Yes

## Number of Paper Inputs, Standard

5

## Number of Paper Inputs, Maximum

6

## Media Types Supported

Card Stock, Envelopes, Paper Labels, Plain Paper, Transparencies, Refer to the Card Stock & Label Guide

## Media Sizes Supported

10 Envelope, 7 3/4 Envelope, A3, A4, A5, C5 Envelope, DL Envelope, Executive, Folio, JIS-B4, JIS-B5, Ledger, Legal, Letter, Statement, Universal

## Standard Ports

Centronics IEEE 1284 Bidirectional Parallel, Ethernet 10/100BaseTX (RJ-45), One Internal Card Slot, USB Compatible with USB 2.0 Specification (Type B), USB Direct interface on Operator Panel, USB Port (Type A) compatible with USB 2.0 Specification

## Optional Network Ports

Lexmark N4050e 802.11g Wireless Print Server (Print Only), Internal MarkNet™ N8020 Gigabit Ethernet, Internal MarkNet™ N8050 802.11g Wireless, Internal MarkNet™ N8030 Fiber Fast Ethernet

## Network Printing Methods

LPR/LPD, Direct IP (Port 9100), Socket (Raw TCP/IP), IPP (Internet Printing Protocol), HTTP, NDS Queue-based Printing, NDPS/NEPS (Novell Distributed Print Services, Novell Netware Enterprise Print Services), Enhanced IP (Port 9400), FTP, TFTP

## Network Protocol Support

TCP/IP IPv4, IPX/SPX, AppleTalk™, LexLink (DLC), TCP/IP IPv6

## Network Security

SSL\* Enabled Embedded Web Server (HTTPS), SNMPv3, TCP/IP port access control, Authenticated and encrypted MarkVision Professional communication, 802.1x Authentication: MDS, MSCHAPv2, LEAP, PEAP, TLS, TTLS, IPsec, \*This product includes software developed by the OpenSSL Project for use in the OpenSSL Toolkit.

## Printable Area

0.157 inches of the top, bottom, right and left edges (within)

## Printer Languages (Standard)

PCL 5e Emulation, PCL 6 Emulation, Personal Printer Data Stream (PPDS), PostScript 3 Emulation, PDF 1.5, xHTML

## Reduce / Enlarge Range

25 - 400 %

## Scan Area, Maximum

11.7 x 17 inches

## Modem Speed

33.6 Kbps

## Supplies Yield

\*Average standard page yield value declared in accordance with ISO/IEC 19752, 60,000-page Photoconductor Unit, 30,000\*-page Toner Cartridge

## Cartridge(s) Shipping with Product

30,000\*-page Toner Cartridge

## Packaged Size (in. - H x W x D)

54.3 x 35 x 33.5 in.

## Size (in. - H x W x D)

43 x 25 x 25.5 in.

## Weight (lb.)

233 lb.

## Noise Level, Idle

32 dBA

## Print Noise Level, Operating

53 dBA

## Copy Noise Level, Operating

56 dBA

## Scan Noise Level, Operating

54 dBA

## Product Warranty

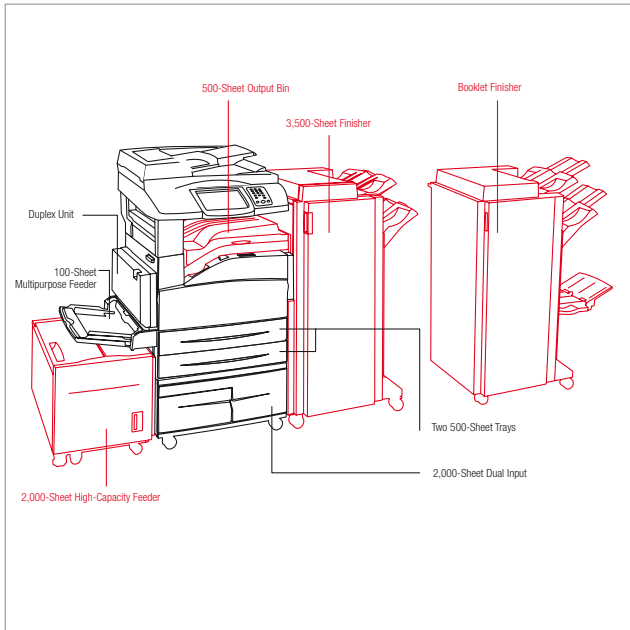
One Year Onsite Repair, Next Business Day

## Maximum Monthly Duty Cycle

Up to 200,000 pages per month

## Recommended Monthly Page Volume

15,000 - 50,000 pages



Paper Handling Standard  
 Paper Handling Optional

**Part # Model**

15R0100 Lexmark X852e

**Part # Laser Toner/Print Cartridge**

X850H21G X850e, X852e, X854e Toner Cartridge  
 X850H22G X850e, X852e and X854e Photoconductor Kit  
 25A0013 Staple Cartridges (3 pack)  
 21Z0357 Booklet Saddle Staple Cartridges (4 pack)

**Part # Paper & Transparencies**

70X7240 Laser Printer Transparencies (Letter)

**Part # Paper Handling**

15R0145 X850e, X852e, X854e, W840 High Capacity Feeder  
 15R0144 X850e, X852e, X854e, W840 Finisher (2 / 3-Hole)  
 15R0335 X850e, X852e, X854e Booklet Finisher (2/3-Hole)

**Part # Memory Options**

13N1523 128MB DDR-DRAM  
 13N1524 256MB DDR-DRAM  
 13N1526 512MB DDR-DRAM  
 1021208 32MB Flash Card  
 1021209 64MB Flash Card  
 1021243 Japanese Font Card  
 1021240 Korean Font Card  
 1021241 Simplified Chinese Font Card  
 1021242 Traditional Chinese Font Card

**Part # Application Solutions**

15R0092 X850e, X852e, X854e Card for IPDS/SCS/TNe  
 15R0091 X850e, X852e, X854e Bar Code Card  
 15R0095 X850e, X852e, X854e Card for PRESCRIBE Emulation  
 15R0094 X850e, X852e, X854e Forms Card  
 15R0093 Lexmark PrintEncryption Card for the Lexmark X850e, X852e, X854e

**Part # Connectivity**

1021294 USB Cable (2-meter)  
 1021231 Parallel Cable (10-foot)  
 1021091 Parallel 1284-B Interface Card  
 1021092 RS-232C Serial Interface Card  
 14T0145 Lexmark N4050e 802.11g Wireless Print Server  
 14S0200 MarkNet™ N8020 Gigabit Ethernet Print Server  
 14S0220 MarkNet™ N8030 Fiber Ethernet 100BaseFX, 10BaseFL  
 14S0165 MarkNet™ N8050 802.11g Wireless Print Server  
 14T0220 MarkNet™ N7020e Gigabit Ethernet Print Server

**Part # Extended Warranties**

2348421 2-Years Total Onsite Service (or 600,000 Impressions), Next Business Day  
 2348422 3-Years Total Onsite Service (or 1.2 Million Impressions), Next Business Day

2348423 4-Years Total Onsite Service (or 1.8 Million Impressions), Next Business Day

2348425 1-Year Onsite Service (or 600,000 Impressions) Renewal, Next Business Day

**Part # User Replaceable Parts**

40X2375 X850e, X852e, X854e Fuser Maintenance Kit 110-120V

**Part # Service Parts**

40X2734 X850e, X852e, X854e ADF Maintenance Kit  
 40X0770 X850e, X852e, X854e ADF Feed unit roll kit



# Lexmark X854e

High-volume four-function multifunction product, offering advanced finishing options and support for up to A3/11" x 17" paper, 55 ppm

## Print Technology

Monochrome Laser

### Function

Copying, Faxing, Network Scanning, Printing

### Print Speed (Letter, Black)

Up to 55 ppm

### Print Speed (Letter, Black) Duplex

Up to 50 spm

### Time to First Page (Black)

As fast as 5.5 seconds

### Copy Speed (Letter, Black)

Up to 55 cpm

### Time to First Copy (Black)

As fast as 7 seconds

### Print Resolution, Black

1200 x 1200 dpi, 2400 Image Quality, 600 x 600 dpi

### Scanning Resolution

600 X 600 dpi, 600 X 300 dpi (color)

### Processor

625 MHz

### Memory, Standard

256 MB

### Memory, Maximum

768 MB

### Expandable Memory Options

Yes

### Apple Macintosh Operating Systems Supported

Mac OS X, Mac OS 9.2

### Citrix MetaFrame

Microsoft Windows 2000 Server running Terminal Services with Citrix MetaFrame XP Presentation Server or Citrix MetaFrame Presentation Server 3.0, Microsoft Windows Server 2003 running Terminal Services with Citrix MetaFrame XP Presentation Server or Citrix MetaFrame Presentation Server 3.0, Microsoft Windows 2000 Server running Terminal Services with Citrix Presentation Server 4.0, Microsoft Windows Server 2003 running Terminal Services with Citrix Presentation Server 4.0, Microsoft Windows Server 2003 x64 running Terminal Services with Citrix Presentation Server 4.0

### Linux Operating Systems Supported

Red Flag Linux Desktop 4.0, 5.0, Linpus Linux Desktop 9.2, 9.3, Red Hat Enterprise Linux WS 3.0, 4.0, 5.0, SUSE Linux Enterprise Server 8.0, 9.0, 10.0, SUSE Linux professional 9.1, 9.2, 9.3, Debian GNU/Linux 3.1, 4.0, Linspire Linux 5.0

### Microsoft Windows Operating Systems Supported

2000, NT (4.00/4.00 Server), Me, XP, Server 2003, 98 2nd Edition, XP x64, Server 2003 running Terminal Services, 2000 Server running Terminal Services, Server 2003 x64, Server 2003 x64 running Terminal Services, Vista, Vista x64

### Novell Operating Systems Supported

Open Enterprise Server for Netware with NDS, iPrint or Novell Distributed Print Services (NDPS), NetWare® 3.2, 4.2 (bindery), NetWare 4.2, 5.x and 6.x (NDS), NetWare 5.x, 6.x with iPrint or Novell Distributed Print Services (NDPS)

## UNIX Operating Systems Supported

Sun Solaris SPARC 8, 9, 10, HP-UX 11.00, 11.1, IBM AIX 5.1, 5.2, 5.3, Sun Solaris x86 10

## Other Operating Systems Supported

IBM iSeries or IBM AS/400® Systems with TCP/IP with OS/400® V3R1 or later using OS/400 Host Print Transform, Virtually any platform supporting TCP/IP

## Paper Handling Standard

500-Sheet Output Bin, Duplex Unit, Two 500-Sheet Trays, 100-Sheet Multipurpose Feeder, 2,000-Sheet Dual Input

## Paper Handling Optional

2,000-Sheet High-Capacity Feeder, 3,500-Sheet Finisher, Booklet Finisher

## Paper Input Capacity, Standard: Up to

3100 pages 20 lb or 75 gsm bond

## Paper Input Capacity, Maximum: Up to

5100 pages 20 lb or 75 gsm bond

## Paper Output Capacity, Standard: Up to

500 pages 20 lb or 75 gsm bond

## Paper Output Capacity, Maximum: Up to

3800 pages 20 lb or 75 gsm bond

## ADF Paper Input Capacity

Up to 75 pages 20 lb or 75 gsm bond

## Finishing Option

Yes

## Number of Paper Inputs, Standard

5

## Number of Paper Inputs, Maximum

6

## Media Types Supported

Card Stock, Envelopes, Paper Labels, Plain Paper, Transparencies, Refer to the Card Stock & Label Guide

## Media Sizes Supported

10 Envelope, 7 3/4 Envelope, A3, A4, A5, C5 Envelope, DL Envelope, Executive, Folio, JIS-B4, JIS-B5, Ledger, Legal, Letter, Statement, Universal

## Standard Ports

Centronics IEEE 1284 Bidirectional Parallel, Ethernet 10/100BaseTX (RJ-45), One Internal Card Slot, USB Compatible with USB 2.0 Specification (Type B), USB Direct interface on Operator Panel, USB Port (Type A) compatible with USB 2.0 Specification

## Optional Network Ports

Lexmark N4050e 802.11g Wireless Print Server (Print Only), Internal MarkNet™ N8020 Gigabit Ethernet, Internal MarkNet™ N8050 802.11g Wireless, Internal MarkNet™ N8030 Fiber Fast Ethernet

## Network Printing Methods

LPR/LPD, Direct IP (Port 9100), Socket (Raw TCP/IP), IPP (Internet Printing Protocol), HTTP, NDS Queue-based Printing, NDPS/NEPS (Novell Distributed Print Services, Novell Netware Enterprise Print Services), Enhanced IP (Port 9400), FTP, TFTP

## Network Protocol Support

TCP/IP IPv4, IPX/SPX, AppleTalk™, LexLink (LDC), TCP/IP IPv6

## Network Security

SSL\* Enabled Embedded Web Server (HTTPS), SNMPv3, TCP/IP port access control, Authenticated and encrypted MarkVision Professional communication, 802.1x Authentication: MDS, MSCHAPv2, LEAP, PEAP, TLS, TTLS, IPsec, \*This product includes software developed by the OpenSSL Project for use in the OpenSSL Toolkit.

## Printable Area

0.157 inches of the top, bottom, right and left edges (within)

## Printer Languages (Standard)

PCL 5e Emulation, PCL 6 Emulation, Personal Printer Data Stream (PPDS), PostScript 3 Emulation, PDF 1.5, xHTML

## Reduce / Enlarge Range

25 - 400 %

## Scan Area, Maximum

11.7 x 17 inches

## Modem Speed

33.6 Kbps

## Supplies Yield

\*Average standard page yield value declared in accordance with ISO/IEC 19752., 30,000\*-page Toner Cartridge, 70,000\*-page Photoconductor Unit

## Cartridge(s) Shipping with Product

30,000\*-page Toner Cartridge

## Packaged Size (in. - H x W x D)

54.3 x 35 x 33.5 in.

## Size (in. - H x W x D)

43 x 25 x 25.5 in.

## Weight (lb.)

233 lb.

## Noise Level, Idle

32 dBA

## Print Noise Level, Operating

53 dBA

## Copy Noise Level, Operating

56 dBA

## Scan Noise Level, Operating

54 dBA

## Product Warranty

One Year Onsite Repair, Next Business Day

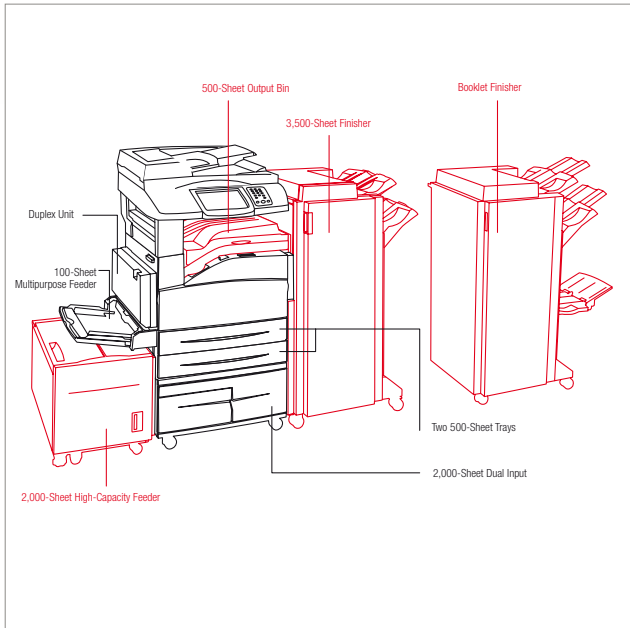
## Maximum Monthly Duty Cycle

Up to 300,000 pages per month

## Recommended Monthly Page Volume

15,000 - 50,000 pages





Paper Handling Standard  
 Paper Handling Optional

|               |  |               |  |
|---------------|--|---------------|--|
| <b>Part #</b> | <b>Model</b>   | 2348436       | 4-Years Total Onsite Service (or 1.8 Million Impressions), Next Business Day |
| 15R0150       | Lexmark X854e  | 2348438       | 1-Year Onsite Service (or 600,000 Impressions) Renewal, Next Business Day    |
| <b>Part #</b> | <b>Laser Toner/Print Cartridge</b>   | <b>Part #</b> | <b>User Replaceable Parts</b>  |
| X850H21G      | X850e, X852e, X854e Toner Cartridge  | 40X2375       | X850e, X852e, X854e Fuser Maintenance Kit 110-120V                           |
| X850H22G      | X850e, X852e and X854e Photoconductor Kit                                    | <b>Part #</b> | <b>Service Parts</b>   |
| 25A0013       | Staple Cartridges (3 pack)   | 40X2734       | X850e, X852e, X854e ADF Maintenance Kit                                      |
| 21Z0357       | Booklet Saddle Staple Cartridges (4 pack)                                    | 40X0770       | X850e, X852e, X854e ADF Feed unit roll kit                                   |
| <b>Part #</b> | <b>Paper &amp; Transparencies</b>  |               |  |
| 70X7240       | Laser Printer Transparencies (Letter)  |               |  |
| <b>Part #</b> | <b>Paper Handling</b>  |               |  |
| 15R0145       | X850e, X852e, X854e, W840 High Capacity Feeder                               |               |  |
| 15R0144       | X850e, X852e, X854e, W840 Finisher (2 / 3-Hole)                              |               |  |
| 15R0335       | X850e, X852e, X854e Booklet Finisher (2/3-Hole)                              |               |  |
| <b>Part #</b> | <b>Memory Options</b>  |               |  |
| 13N1523       | 128MB DDR-DRAM   |               |  |
| 13N1524       | 256MB DDR-DRAM   |               |  |
| 13N1526       | 512MB DDR-DRAM   |               |  |
| 1021208       | 32MB Flash Card  |               |  |
| 1021209       | 64MB Flash Card  |               |  |
| 1021243       | Japanese Font Card   |               |  |
| 1021240       | Korean Font Card   |               |  |
| 1021241       | Simplified Chinese Font Card   |               |  |
| 1021242       | Traditional Chinese Font Card  |               |  |
| <b>Part #</b> | <b>Application Solutions</b>   |               |  |
| 15R0092       | X850e, X852e, X854e Card for IPDS/SCS/TNe                                    |               |  |
| 15R0091       | X850e, X852e, X854e Bar Code Card  |               |  |
| 15R0095       | X850e, X852e, X854e Card for PRESCRIBE Emulation                             |               |  |
| 15R0094       | X850e, X852e, X854e Forms Card   |               |  |
| 15R0093       | Lexmark PrintCryption Card for the Lexmark X850e, X852e, X854e               |               |  |
| <b>Part #</b> | <b>Connectivity</b>  |               |  |
| 1021294       | USB Cable (2-meter)  |               |  |
| 1021231       | Parallel Cable (10-foot)   |               |  |
| 1021091       | Parallel 1284-B Interface Card   |               |  |
| 1021092       | RS-232C Serial Interface Card  |               |  |
| 14T0145       | Lexmark N4050e 802.11g Wireless Print Server                                 |               |  |
| 14S0200       | MarkNet™ N8020 Gigabit Ethernet Print Server                                 |               |  |
| 14S0220       | MarkNet™ N8030 Fiber Ethernet 100BaseFX, 10BaseFL                            |               |  |
| 14S0165       | MarkNet™ N8050 802.11g Wireless Print Server                                 |               |  |
| 14T0220       | MarkNet™ N7020e Gigabit Ethernet Print Server                                |               |  |
| <b>Part #</b> | <b>Extended Warranties</b>   |               |  |
| 2348434       | 2-Years Total Onsite Service (or 600,000 Impressions), Next Business Day     |               |  |
| 2348435       | 3-Years Total Onsite Service (or 1.2 Million Impressions), Next Business Day |               |  |



# Lexmark X543dn

Network-ready compact color laser multifunction product with paper-saving duplex

## Print Technology

Color Laser

## Function

Color Copying, Color Printing, Network Scanning

## Print Speed (Letter, Black)

Up to 21 ppm

## Print Speed (Letter, Color)

Up to 21 ppm

## Time to First Page (Black)

As fast as 13 seconds

## Time to First Page (Color)

As fast as 14 seconds

## Copy Speed (Letter, Black)

Up to 21 cpm

## Copy Speed (Letter, Color)

Up to 21 cpm

## Time to First Copy (Black)

As fast as 17.5 seconds

## Print Resolution, Black

1200 x 1200 dpi, 4800 Color Quality (1200 x 600 dpi)

## Print Resolution, Color

1200 x 1200 dpi, 4800 Color Quality (1200 x 600 dpi)

## Scanning Resolution

600 X 600 dpi

## Processor

500 MHz

## Memory, Standard

128 MB

## Memory, Maximum

640 MB

## Expandable Memory Options

Yes

## Apple Macintosh Operating Systems Supported

Mac OS X, Mac OS 9.2

## Citrix MetaFrame

Microsoft Windows 2000 Server running Terminal Services with Citrix Presentation Server 3.0, 4.0, Microsoft Windows Server 2003 running Terminal Services with Citrix Presentation Server 3.0, 4.0, 4.5, Microsoft Windows Server 2003 x64 running Terminal Services with Citrix Presentation Server 4.0 x64, 4.5 x64

## Linux Operating Systems Supported

Linpus Linux Desktop 9.2, 9.3, Red Hat Enterprise Linux WS 3.0, 4.0, 5.0, SUSE Linux Enterprise Server 8.0, 9.0, 10.0, SUSE Linux Enterprise Desktop 10, openSUSE 10.2, 10.3, 11.0, Linspire Linux 6.0, Debian GNU/Linux 4.0, Red Flag Linux Desktop 5.0, 6.0, Ubuntu 7.10, Ubuntu 8.04 LTS

## Microsoft Windows Operating Systems Supported

2000, XP, Server 2003, XP x64, Server 2003 running Terminal Services, 2000 Server running Terminal Services, Server 2003 x64, Server 2003 x64 running Terminal Services, Vista, Vista x64, Server 2008, Server 2008 x64, Server 2008 running Terminal Services, Server 2008 x64 running Terminal Services

## Novell Operating Systems Supported

Open Enterprise Server for Netware with NDS, iPrint or Novell Distributed Print Services (NDPS), NetWare 5.x, 6.x

with iPrint or Novell Distributed Print Services (NDPS)

## UNIX Operating Systems Supported

Sun Solaris SPARC 8, 9, 10, Sun Solaris x86 10, HP-LUX 11.11, 11.23, 11.31, IBM AIX 5.2, 5.3, 6.1

## Paper Handling Standard

150-Sheet Output Bin, Integrated Duplex, Single Sheet Manual Feed, 250-Sheet Input Tray

## Paper Handling Optional

550-Sheet Duo Drawer with 100-Sheet Multipurpose Feeder

## Paper Input Capacity, Standard: Up to

250+1 pages 20 lb or 75 gsm bond

## Paper Input Capacity, Maximum: Up to

900 +1 pages 20 lb or 75 gsm bond

## Paper Output Capacity, Standard: Up to

150 pages 20 lb or 75 gsm bond

## Paper Output Capacity, Maximum: Up to

150 pages 20 lb or 75 gsm bond

## ADF Paper Input Capacity

Up to 50 pages 20 lb or 75 gsm bond

## Finishing Option

No

## Number of Paper Inputs, Standard

2

## Number of Paper Inputs, Maximum

3

## Media Types Supported

Card Stock, Paper Labels, Plain Paper, Transparencies, Refer to the Card Stock & Label Guide

## Media Sizes Supported

A4, A5, Executive, Folio, JIS-B5, Legal, Letter, Universal, Oficio, A6

## Standard Ports

Ethernet 10/100BaseTX (RJ-45), USB 2.0 Specification Hi-Speed Certified (Type B)

## Optional Network Ports

Lexmark N4050e 802.11g Wireless Print Server (Print Only), External MarkNet™ N7020e Gigabit Ethernet

## Network Printing Methods

LPR/LPD, Direct IP (Port 9100), Enhanced IP (Port 9400), FTP, TFTP, IPP 1.1 (Internet Printing Protocol)

## Network Protocol Support

TCP/IP IPv4, AppleTalk™, TCP/IP IPv6, TCP, UDP

## Printable Area

0.167 inches of the top, bottom, right and left edges (within)

## Printer Languages (Standard)

PCL 5c Emulation, PCL 6 Emulation, Personal Printer Data Stream (PPDS), PostScript 3 Emulation, PDF 1.6

## Reduce / Enlarge Range

25 - 400 %

## Scan Area, Maximum

8.5 x 14 inches

## Supplies Yield

\*Average continuous black or continuous composite CMY declared cartridge yield up to this number of standard pages in accordance with ISO/IEC 19798. 1,000\*-page color Toner Cartridges (CMY), 2,000\*-page color High Yield Toner Cartridges (CMY), 2,500\*-page Black High Yield Toner Cartridge, 1,000\*-page Black Toner Cartridge  
**Cartridge(s) Shipping with Product**  
2,500\*-page Black Return Program Toner Cartridge, 2,000\*-page color (CMY) Return Program Toner Cartridges

## Packaged Size (in. - H x W x D)

21.93 x 22.96 x 22.05 in.

## Size (in. - H x W x D)

18.23 x 17.32 x 21.14 in.

## Size, Trays Extended (in. - H x W x D)

20.59 x 19.37 x 22.48 in.

## Weight (lb.)

59 lb.

## Noise Level, Idle

inaudible dBA

## Print Noise Level, Operating

47 dBA

## Copy Noise Level, Operating

50 dBA

## Scan Noise Level, Operating

47 dBA

## Product Warranty

1-Year Onsite Service, Next Business Day

## Maximum Monthly Duty Cycle

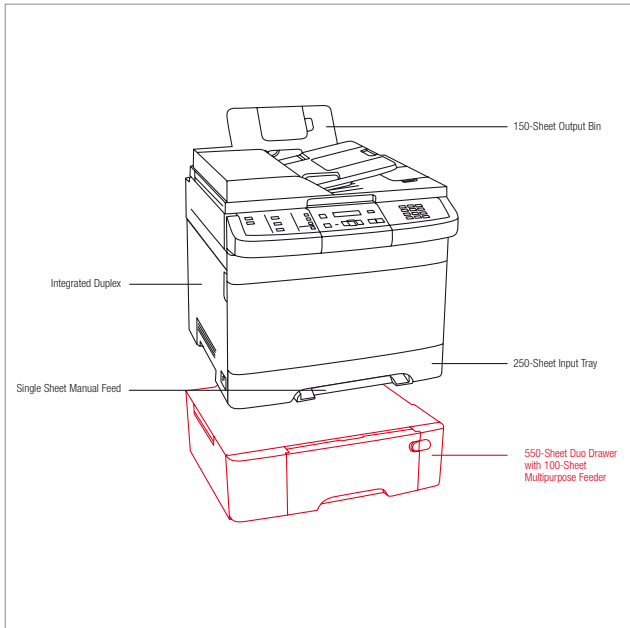
Up to 35,000 pages per month

## Recommended Monthly Page Volume

500 - 1,500 pages

## License/Agreement Terms

Printers are sold subject to certain license/agreement conditions. See [www.lexmark.com/printerlicense](http://www.lexmark.com/printerlicense) for details.



Paper Handling Standard  
 Paper Handling Optional

| Part #        | Model  |
|---------------|--|
| 3001385       | Lexmark X543dn   |
| <b>Part #</b> | <b>Laser Toner/Print Cartridge</b>   |
| C540H1KG      | C540, C543, C544, X543, X544 Black High Yield Return Program Toner Cartridge   |
| C540H1CG      | C540, C543, C544, X543, X544 Cyan High Yield Return Program Toner Cartridge    |
| C540H1MG      | C540, C543, C544, X543, X544 Magenta High Yield Return Program Toner Cartridge |
| C540H1YG      | C540, C543, C544, X543, X544 Yellow High Yield Return Program Toner Cartridge  |
| C540A1KG      | C540, C543, C544, X543, X544 Black Return Program Toner Cartridge              |
| C540A1CG      | C540, C543, C544, X543, X544 Cyan Return Program Toner Cartridge               |
| C540A1MG      | C540, C543, C544, X543, X544 Magenta Return Program Toner Cartridge            |
| C540A1YG      | C540, C543, C544, X543, X544 Yellow Return Program Toner Cartridge             |
| C540H2KG      | C540, C543, C544, X543, X544 Black High Yield Toner Cartridge                  |
| C540H2CG      | C540, C543, C544, X543, X544 Cyan High Yield Toner Cartridge                   |
| C540H2MG      | C540, C543, C544, X543, X544 Magenta High Yield Toner Cartridge                |
| C540H2YG      | C540, C543, C544, X543, X544 Yellow High Yield Toner Cartridge                 |
| C540X75G      | C540, C543, C544, X543, X544 Waste Toner Bottle                                |
| C540X71G      | C540, C543, C544, X543, X544 Black Imaging Kit                                 |
| C540X74G      | C540, C543, C544, X543, X544 Black and Color Imaging Kit                       |

| Part #  | Paper & Transparencies                          |
|---------|---|
| 12A5950 | Glossy Laser Paper, Letter (200 sheets)         |
| 12A8240 | Professional Color Laser Transparencies, Letter |

| Part #  | Paper Handling  |
|---------|---|
| 3000551 | 550-Sheet Duo Drawer with 100-Sheet Multipurpose Feeder |

| Part #  | Memory Options                |
|---------|-------------------------------|
| 1022298 | 128MB DDR1-DRAM               |
| 1022299 | 256MB DDR1-DRAM               |
| 1022301 | 512MB DDR1-DRAM               |
| 1021209 | 64MB Flash Card               |
| 30G0828 | Japanese Font Card            |
| 30G0825 | Korean Font Card              |
| 30G0826 | Simplified Chinese Font Card  |
| 30G0827 | Traditional Chinese Font Card |

| Part #  | Connectivity                                  |
|---------|---|
| 1021294 | USB Cable (2-meter)                           |
| 14T0145 | Lexmark N4050e 802.11g Wireless Print Server  |
| 14T0220 | MarkNet™ N7020e Gigabit Ethernet Print Server |

| Part #  | Extended Warranties                              |
|---------|--|
| 2350503 | 2-Years Total Onsite Service, Next Business Day  |
| 2350504 | 3-Years Total Onsite Service, Next Business Day  |
| 2350507 | 1-Year Onsite Service Renewal, Next Business Day |

| Part #   | User Replaceable Parts                              |
|----------|---|
| 40X5471  | ADF Separator Roll                                  |
| 40X5472  | ADF Separator Pad                                   |
| 40X5539  | X543 Scanner Cover Cushion                          |
| 40X5470  | ADF Paper Tray                                      |
| 40X5484  | Output Bin Extension                                |
| 40X5168  | Pick Tire   |
| 3049485  | X543, X544 Relocation Kit                           |
| C540X31G | C540, C543, C544, X543, X544 Black Developer Unit   |
| C540X32G | C540, C543, C544, X543, X544 Cyan Developer Unit    |
| C540X33G | C540, C543, C544, X543, X544 Magenta Developer Unit |
| C540X34G | C540, C543, C544, X543, X544 Yellow Developer Unit  |



# Lexmark X544n

Network-ready 4-in-1 compact color laser multifunction

## Print Technology

Color Laser

### Function

Color Copying, Color Faxing, Color Printing, Color Scanning, Network Scanning

### Print Speed (Letter, Black)

Up to 25 ppm

### Print Speed (Letter, Color)

Up to 25 ppm

### Time to First Page (Black)

As fast as 13 seconds

### Time to First Page (Color)

As fast as 13 seconds

### Copy Speed (Letter, Black)

Up to 25 cpm

### Copy Speed (Letter, Color)

Up to 25 cpm

### Time to First Copy (Black)

As fast as 16.5 seconds

### Print Resolution, Black

1200 x 1200 dpi, 4800 Color Quality (1200 x 600 dpi)

### Print Resolution, Color

1200 x 1200 dpi, 4800 Color Quality (1200 x 600 dpi)

### Scanning Resolution

600 X 600 dpi

### Processor

500 MHz

### Memory, Standard

128 MB

### Memory, Maximum

640 MB

### Expandable Memory Options

Yes

### Apple Macintosh Operating Systems Supported

Mac OS X, Mac OS 9.2

### Citrix MetaFrame

Microsoft Windows 2000 Server running Terminal Services with Citrix Presentation Server 3.0, 4.0, Microsoft Windows Server 2003 running Terminal Services with Citrix Presentation Server 3.0, 4.0, 4.5, Microsoft Windows Server 2003 x64 running Terminal Services with Citrix Presentation Server 4.0 x64, 4.5 x64

### Linux Operating Systems Supported

Linux Linux Desktop 9.2, 9.3, Red Hat Enterprise Linux WS 3.0, 4.0, 5.0, SUSE Linux Enterprise Server 8.0, 9.0, 10.0, SUSE Linux Enterprise Desktop 10, openSUSE 10.2, 10.3, 11.0, Linspire Linux 6.0, Debian GNU/Linux 4.0, Red Flag Linux Desktop 5.0, 6.0, Ubuntu 7.10, Ubuntu 8.04 LTS

### Microsoft Windows Operating Systems Supported

2000, XP, Server 2003, XP x64, Server 2003 running Terminal Services, 2000 Server running Terminal Services, Server 2003 x64, Server 2003 x64 running Terminal Services, Vista, Vista x64, Server 2008, Server 2008 x64, Server 2008 running Terminal Services, Server 2008 x64 running Terminal Services

### Novell Operating Systems Supported

Open Enterprise Server for Netware with NDS, iPrint or

Novell Distributed Print Services (NDPS), NetWare 5.x, 6.x with iPrint or Novell Distributed Print Services (NDPS)

### UNIX Operating Systems Supported

Sun Solaris SPARC 8, 9, 10, Sun Solaris x86 10, HP-LUX 11.11, 11.23, 11.31, IBM AIX 5.2, 5.3, 6.1

### Paper Handling Standard

150-Sheet Output Bin, Single Sheet Manual Feed, 250-Sheet Input Tray

### Paper Handling Optional

550-Sheet Duo Drawer with 100-Sheet Multipurpose Feeder

### Paper Input Capacity, Standard: Up to

250+1 pages 20 lb or 75 gsm bond

### Paper Input Capacity, Maximum: Up to

900 +1 pages 20 lb or 75 gsm bond

### Paper Output Capacity, Standard: Up to

150 pages 20 lb or 75 gsm bond

### Paper Output Capacity, Maximum: Up to

150 pages 20 lb or 75 gsm bond

### ADF Paper Input Capacity

Up to 50 pages 20 lb or 75 gsm bond

### Finishing Option

No

### Number of Paper Inputs, Standard

2

### Number of Paper Inputs, Maximum

4

### Media Types Supported

Card Stock, Paper Labels, Plain Paper, Transparencies, Refer to the Card Stock & Label Guide

### Media Sizes Supported

A4, A5, Executive, Folio, JIS-B5, Legal, Letter, Universal, Oficio, A6

### Standard Ports

Ethernet 10/100BaseTX (RJ-45), USB 2.0 Specification Hi-Speed Certified (Type B), PictBridge Certified Port, Front USB Port Compatible with USB 2.0 Specification (Type A)

### Optional Network Ports

Lexmark N4050e 802.11g Wireless Print Server (Print Only), External MarkNet™ N7020e Gigabit Ethernet Network Printing Methods LPR/LPD, Direct IP (Port 9100), Enhanced IP (Port 9400), FTP, TFTP, IPP 1.1 (Internet Printing Protocol)

### Network Protocol Support

TCP/IP IPv4, AppleTalk™, TCP/IP IPv6, TCP, UDP

### Printable Area

0.167 inches of the top, bottom, right and left edges (within)

### Printer Languages (Standard)

PCL 5c Emulation, PCL 6 Emulation, Personal Printer Data Stream (PPDS), PostScript 3 Emulation, PDF 1.6, Direct Image

### Reduce / Enlarge Range

25 - 400 %

### Scan Area, Maximum

8.5 x 14 inches

### Modem Speed

33.6 Kbps

### Supplies Yield

\*Average continuous black or continuous composite CMY declared cartridge yield up to this number of standard pages in accordance with ISO/IEC 19798., 1,000\*-page color Toner Cartridges (CMY), 2,000\*-page color High Yield Toner Cartridges (CMY), 4,000\*-page color Extra High Yield Toner Cartridges (CMY), 2,500\*-page Black High Yield Toner Cartridge, 6,000\*-page Black Extra High Yield Toner Cartridge, 1,000\*-page Black Toner Cartridge

### Cartridge(s) Shipping with Product

2,500\*-page Black Return Program Toner Cartridge,

2,000\*-page color (CMY) Return Program Toner Cartridges

### Packaged Size (in. - H x W x D)

21.93 x 22.96 x 22.05 in.

### Size (in. - H x W x D)

18.23 x 17.32 x 21.14 in.

### Size, Trays Extended (in. - H x W x D)

20.59 x 19.37 x 22.48 in.

### Weight (lb.)

60 lb.

### Noise Level, Idle

inaudible dBA

### Print Noise Level, Operating

48 dBA

### Copy Noise Level, Operating

50 dBA

### Scan Noise Level, Operating

45 dBA

### Product Warranty

1-Year Onsite Service, Next Business Day

### Maximum Monthly Duty Cycle

Up to 55,000 pages per month

### Recommended Monthly Page Volume

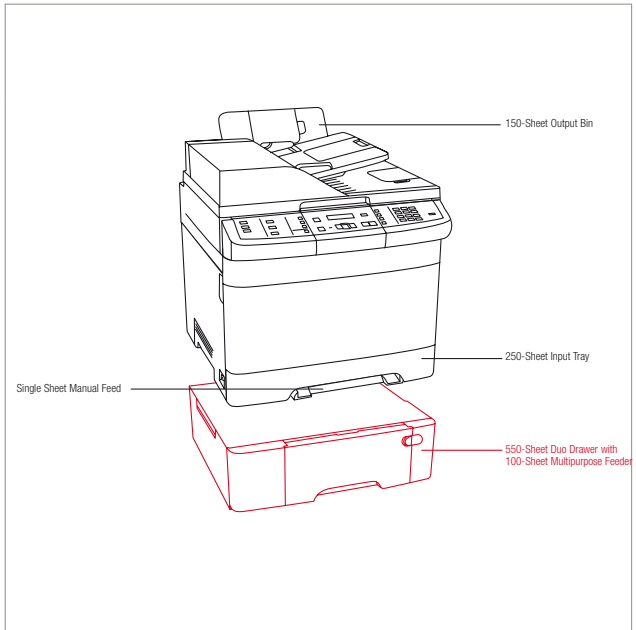
800 - 3,000 pages

### License/Agreement Terms

Printers are sold subject to certain license/agreement

conditions. See [www.lexmark.com/printerlicense](http://www.lexmark.com/printerlicense) for

details.



Paper Handling Standard  
 Paper Handling Optional

| Part #  | Model         |
|---------|---------------|
| 3044503 | Lexmark X544n |

| Part #   | Laser Toner/Print Cartridge  |
|----------|--|
| C544X1KG | C544, X544 Black Extra High Yield Return Program Toner Cartridge               |
| C544X1CG | C544, X544 Cyan Extra High Yield Return Program Toner Cartridge                |
| C544X1MG | C544, X544 Magenta Extra High Yield Return Program Toner Cartridge             |
| C544X1YG | C544, X544 Yellow Extra High Yield Return Program Toner Cartridge              |
| C540H1KG | C540, C543, C544, X543, X544 Black High Yield Return Program Toner Cartridge   |
| C540H1CG | C540, C543, C544, X543, X544 Cyan High Yield Return Program Toner Cartridge    |
| C540H1MG | C540, C543, C544, X543, X544 Magenta High Yield Return Program Toner Cartridge |
| C540H1YG | C540, C543, C544, X543, X544 Yellow High Yield Return Program Toner Cartridge  |
| C540A1KG | C540, C543, C544, X543, X544 Black Return Program Toner Cartridge              |
| C540A1CG | C540, C543, C544, X543, X544 Cyan Return Program Toner Cartridge               |
| C540A1MG | C540, C543, C544, X543, X544 Magenta Return Program Toner Cartridge            |
| C540A1YG | C540, C543, C544, X543, X544 Yellow Return Program Toner Cartridge             |
| C544X2KG | C544, X544 Black Extra High Yield Toner Cartridge                              |
| C544X2CG | C544, X544 Cyan Extra High Yield Toner Cartridge                               |
| C544X2MG | C544, X544 Magenta Extra High Yield Toner Cartridge                            |
| C544X2YG | C544, X544 Yellow Extra High Yield Toner Cartridge                             |
| C540H2KG | C540, C543, C544, X543, X544 Black High Yield Toner Cartridge                  |
| C540H2CG | C540, C543, C544, X543, X544 Cyan High Yield Toner Cartridge                   |
| C540H2MG | C540, C543, C544, X543, X544 Magenta High Yield Toner Cartridge                |
| C540H2YG | C540, C543, C544, X543, X544 Yellow High Yield Toner Cartridge                 |
| C540X75G | C540, C543, C544, X543, X544 Waste Toner Bottle                                |
| C540X71G | C540, C543, C544, X543, X544 Black Imaging Kit                                 |
| C540X74G | C540, C543, C544, X543, X544 Black and Color Imaging Kit                       |

| Part #  | Paper & Transparencies                          |
|---------|---|
| 12A5950 | Glossy Laser Paper, Letter (200 sheets)         |
| 12A8240 | Professional Color Laser Transparencies, Letter |

| Part #  | Paper Handling  |
|---------|---|
| 3000551 | 550-Sheet Duo Drawer with 100-Sheet Multipurpose Feeder |

| Part #  | Memory Options                |
|---------|-------------------------------|
| 1022298 | 128MB DDR1-DRAM               |
| 1022299 | 256MB DDR1-DRAM               |
| 1022301 | 512MB DDR1-DRAM               |
| 1021209 | 64MB Flash Card               |
| 30G0828 | Japanese Font Card            |
| 30G0825 | Korean Font Card              |
| 30G0826 | Simplified Chinese Font Card  |
| 30G0827 | Traditional Chinese Font Card |

| Part #  | Connectivity        |
|---------|---------------------|
| 1021294 | USB Cable (2-meter) |

|         |   |
|---------|---|
| 14T0145 | Lexmark N4050e 802.11g Wireless Print Server  |
| 14T0220 | MarkNet™ N7020e Gigabit Ethernet Print Server |

| Part #  | Extended Warranties                              |
|---------|--|
| 2350521 | 2-Years Total Onsite Service, Next Business Day  |
| 2350522 | 3-Years Total Onsite Service, Next Business Day  |
| 2350525 | 1-Year Onsite Service Renewal, Next Business Day |

| Part #   | User Replaceable Parts                              |
|----------|---|
| 40X5471  | ADF Separator Roll                                  |
| 40X5472  | ADF Separator Pad                                   |
| 40X5535  | ADF Flatbed Cushion                                 |
| 40X5470  | ADF Paper Tray                                      |
| 40X5494  | Output Bin Extension                                |
| 40X5168  | Pick Tire   |
| 3049485  | X543, X544 Relocation Kit                           |
| C540X31G | C540, C543, C544, X543, X544 Black Developer Unit   |
| C540X32G | C540, C543, C544, X543, X544 Cyan Developer Unit    |
| C540X33G | C540, C543, C544, X543, X544 Magenta Developer Unit |
| C540X34G | C540, C543, C544, X543, X544 Yellow Developer Unit  |



# Lexmark X544dn

Network-ready 4-in-1 compact color laser multifunction with paper-saving duplex printing

## Print Technology

Color Laser

### Function

Color Copying, Color Faxing, Color Printing, Color Scanning, Network Scanning

### Print Speed (Letter, Black)

Up to 25 ppm

### Print Speed (Letter, Color)

Up to 25 ppm

### Time to First Page (Black)

As fast as 13 seconds

### Time to First Page (Color)

As fast as 13 seconds

### Copy Speed (Letter, Black)

Up to 25 cpm

### Copy Speed (Letter, Color)

Up to 25 cpm

### Time to First Copy (Black)

As fast as 16.5 seconds

### Print Resolution, Black

1200 x 1200 dpi, 4800 Color Quality (1200 x 600 dpi)

### Print Resolution, Color

1200 x 1200 dpi, 4800 Color Quality (1200 x 600 dpi)

### Scanning Resolution

600 X 600 dpi

### Processor

500 MHz

### Memory, Standard

128 MB

### Memory, Maximum

640 MB

### Expandable Memory Options

Yes

### Apple Macintosh Operating Systems Supported

Mac OS X, Mac OS 9.2

### Citrix MetaFrame

Microsoft Windows 2000 Server running Terminal Services with Citrix Presentation Server 3.0, 4.0, Microsoft Windows Server 2003 running Terminal Services with Citrix Presentation Server 3.0, 4.0, 4.5, Microsoft Windows Server 2003 x64 running Terminal Services with Citrix Presentation Server 4.0 x64, 4.5 x64

### Linux Operating Systems Supported

Linpus Linux Desktop 9.2, 9.3, Red Hat Enterprise Linux WS 3.0, 4.0, 5.0, SUSE Linux Enterprise Server 8.0, 9.0, 10.0, SUSE Linux Enterprise Desktop 10, openSUSE 10.2, 10.3, 11.0, Linspire Linux 6.0, Debian GNU/Linux 4.0, Red Flag Linux Desktop 5.0, 6.0, Ubuntu 7.10, Ubuntu 8.04 LTS

### Microsoft Windows Operating Systems Supported

2000, XP, Server 2003, XP x64, Server 2003 running Terminal Services, 2000 Server running Terminal Services, Server 2003 x64, Server 2003 x64 running Terminal Services, Vista, Vista x64, Server 2008, Server 2008 x64, Server 2008 running Terminal Services, Server 2008 x64 running Terminal Services

### Novell Operating Systems Supported

Open Enterprise Server for Netware with NDS, iPrint or

Novell Distributed Print Services (NDPS), NetWare 5.x, 6.x with iPrint or Novell Distributed Print Services (NDPS)

### UNIX Operating Systems Supported

Sun Solaris SPARC 8, 9, 10, Sun Solaris x86 10, HP-UX 11.11, 11.23, 11.31, IBM AIX 5.2, 5.3, 6.1

### Paper Handling Standard

150-Sheet Output Bin, Integrated Duplex, Single Sheet Manual Feed, 250-Sheet Input Tray

### Paper Handling Optional

550-Sheet Duo Drawer with 100-Sheet Multipurpose Feeder

### Paper Input Capacity, Standard: Up to

250+1 pages 20 lb or 75 gsm bond

### Paper Input Capacity, Maximum: Up to

900 +1 pages 20 lb or 75 gsm bond

### Paper Output Capacity, Standard: Up to

150 pages 20 lb or 75 gsm bond

### Paper Output Capacity, Maximum: Up to

150 pages 20 lb or 75 gsm bond

### ADF Paper Input Capacity

Up to 50 pages 20 lb or 75 gsm bond

### Finishing Option

No

### Number of Paper Inputs, Standard

2

### Number of Paper Inputs, Maximum

4

### Media Types Supported

Card Stock, Paper Labels, Plain Paper, Transparencies, Refer to the Card Stock & Label Guide

### Media Sizes Supported

A4, A5, Executive, Folio, JIS-B5, Legal, Letter, Universal, Oficio, A6

### Standard Ports

Ethernet 10/100BaseTX (RJ-45), USB 2.0 Specification Hi-Speed Certified (Type B), PictBridge Certified Port, Front USB Port Compatible with USB 2.0 Specification (Type A)

### Optional Network Ports

Lexmark N4050e 802.11g Wireless Print Server (Print Only), External MarkNet™ N7020e Gigabit Ethernet Network Printing Methods LPR/LPD, Direct IP (Port 9100), Enhanced IP (Port 9400), FTP, TFTP, IPP 1.1 (Internet Printing Protocol)

### Network Protocol Support

TCP/IP IPv4, AppleTalk™, TCP/IP IPv6, TCP, UDP

### Printable Area

0.167 inches of the top, bottom, right and left edges (within)

### Printer Languages (Standard)

PCL 5c Emulation, PCL 6 Emulation, Personal Printer Data Stream (PPDS), PostScript 3 Emulation, PDF 1.6, Direct Image

## Reduce / Enlarge Range

25 - 400 %

### Scan Area, Maximum

8.5 x 14 inches

### Modem Speed

33.6 Kbps

## Supplies Yield

\*Average continuous black or continuous composite CMY declared cartridge yield up to this number of standard pages in accordance with ISO/IEC 19798., 1,000\*-page color Toner Cartridges (CMY), 2,000\*-page color High Yield Toner Cartridges (CMY), 4,000\*-page color Extra High Yield Toner Cartridges (CMY), 2,500\*-page Black High Yield Toner Cartridge, 6,000\*-page Black Extra High Yield Toner Cartridge, 1,000\*-page Black Toner Cartridge

### Cartridge(s) Shipping with Product

2,500\*-page Black Return Program Toner Cartridge,

2,000\*-page color (CMY) Return Program Toner Cartridges

### Packaged Size (in. - H x W x D)

21.93 x 22.96 x 22.05 in.

### Size (in. - H x W x D)

18.23 x 17.32 x 21.14 in.

### Size, Trays Extended (in. - H x W x D)

20.59 x 19.37 x 22.48 in.

### Weight (lb.)

60 lb.

### Noise Level, Idle

inaudible dBA

### Print Noise Level, Operating

48 dBA

### Copy Noise Level, Operating

50 dBA

### Scan Noise Level, Operating

45 dBA

### Product Warranty

1-Year Onsite Service, Next Business Day

### Maximum Monthly Duty Cycle

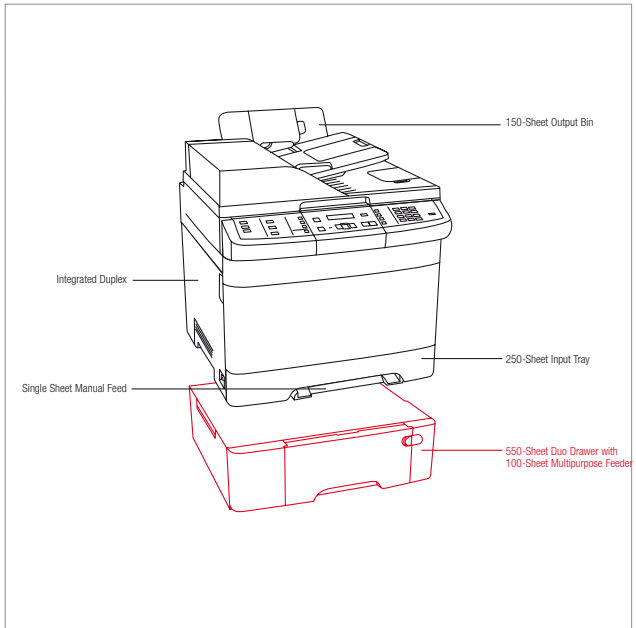
Up to 55,000 pages per month

### Recommended Monthly Page Volume

800 - 3,000 pages

### License/Agreement Terms

Printers are sold subject to certain license/agreement conditions. See [www.lexmark.com/printerlicense](http://www.lexmark.com/printerlicense) for details.



Paper Handling Standard  
 Paper Handling Optional

| Part #  | Model          |
|---------|----------------|
| 3001389 | Lexmark X544dn |

| Part #   | Laser Toner/Print Cartridge  |
|----------|--|
| C544X1KG | C544, X544 Black Extra High Yield Return Program Toner Cartridge               |
| C544X1CG | C544, X544 Cyan Extra High Yield Return Program Toner Cartridge                |
| C544X1MG | C544, X544 Magenta Extra High Yield Return Program Toner Cartridge             |
| C544X1YG | C544, X544 Yellow Extra High Yield Return Program Toner Cartridge              |
| C540H1KG | C540, C543, C544, X543, X544 Black High Yield Return Program Toner Cartridge   |
| C540H1CG | C540, C543, C544, X543, X544 Cyan High Yield Return Program Toner Cartridge    |
| C540H1MG | C540, C543, C544, X543, X544 Magenta High Yield Return Program Toner Cartridge |
| C540H1YG | C540, C543, C544, X543, X544 Yellow High Yield Return Program Toner Cartridge  |
| C540A1KG | C540, C543, C544, X543, X544 Black Return Program Toner Cartridge              |
| C540A1CG | C540, C543, C544, X543, X544 Cyan Return Program Toner Cartridge               |
| C540A1MG | C540, C543, C544, X543, X544 Magenta Return Program Toner Cartridge            |
| C540A1YG | C540, C543, C544, X543, X544 Yellow Return Program Toner Cartridge             |
| C544X2KG | C544, X544 Black Extra High Yield Toner Cartridge                              |
| C544X2CG | C544, X544 Cyan Extra High Yield Toner Cartridge                               |
| C544X2MG | C544, X544 Magenta Extra High Yield Toner Cartridge                            |
| C544X2YG | C544, X544 Yellow Extra High Yield Toner Cartridge                             |
| C540H2KG | C540, C543, C544, X543, X544 Black High Yield Toner Cartridge                  |
| C540H2CG | C540, C543, C544, X543, X544 Cyan High Yield Toner Cartridge                   |
| C540H2MG | C540, C543, C544, X543, X544 Magenta High Yield Toner Cartridge                |
| C540H2YG | C540, C543, C544, X543, X544 Yellow High Yield Toner Cartridge                 |
| C540X75G | C540, C543, C544, X543, X544 Waste Toner Bottle                                |
| C540X71G | C540, C543, C544, X543, X544 Black Imaging Kit                                 |
| C540X74G | C540, C543, C544, X543, X544 Black and Color Imaging Kit                       |

| Part #  | Paper & Transparencies                          |
|---------|---|
| 12A5950 | Glossy Laser Paper, Letter (200 sheets)         |
| 12A8240 | Professional Color Laser Transparencies, Letter |

| Part #  | Paper Handling  |
|---------|---|
| 3000551 | 550-Sheet Duo Drawer with 100-Sheet Multipurpose Feeder |

| Part #  | Memory Options                |
|---------|-------------------------------|
| 1022298 | 128MB DDR1-DRAM               |
| 1022299 | 256MB DDR1-DRAM               |
| 1022301 | 512MB DDR1-DRAM               |
| 1021209 | 64MB Flash Card               |
| 30G0828 | Japanese Font Card            |
| 30G0825 | Korean Font Card              |
| 30G0826 | Simplified Chinese Font Card  |
| 30G0827 | Traditional Chinese Font Card |

| Part #  | Connectivity        |
|---------|---------------------|
| 1021294 | USB Cable (2-meter) |

|         |   |
|---------|---|
| 14T0145 | Lexmark N4050e 802.11g Wireless Print Server  |
| 14T0220 | MarkNet™ N7020e Gigabit Ethernet Print Server |

| Part #  | Extended Warranties                              |
|---------|--|
| 2350521 | 2-Years Total Onsite Service, Next Business Day  |
| 2350522 | 3-Years Total Onsite Service, Next Business Day  |
| 2350525 | 1-Year Onsite Service Renewal, Next Business Day |

| Part #   | User Replaceable Parts                              |
|----------|---|
| 40X5471  | ADF Separator Roll                                  |
| 40X5472  | ADF Separator Pad                                   |
| 40X5535  | ADF Flatbed Cushion                                 |
| 40X5470  | ADF Paper Tray                                      |
| 40X5494  | Output Bin Extension                                |
| 40X5168  | Pick Tire   |
| 3049485  | X543, X544 Relocation Kit                           |
| C540X31G | C540, C543, C544, X543, X544 Black Developer Unit   |
| C540X32G | C540, C543, C544, X543, X544 Cyan Developer Unit    |
| C540X33G | C540, C543, C544, X543, X544 Magenta Developer Unit |
| C540X34G | C540, C543, C544, X543, X544 Yellow Developer Unit  |



# Lexmark X544dw

Compact 4-in-1 color laser multifunction product with paper-saving duplex and wireless connectivity

## Print Technology

Color Laser

## Function

Color Copying, Color Faxing, Color Printing, Color Scanning, Network Scanning

## Print Speed (Letter, Black)

Up to 25 ppm

## Print Speed (Letter, Color)

Up to 25 ppm

## Time to First Page (Black)

As fast as 13 seconds

## Time to First Page (Color)

As fast as 13 seconds

## Copy Speed (Letter, Black)

Up to 25 cpm

## Copy Speed (Letter, Color)

Up to 25 cpm

## Time to First Copy (Black)

As fast as 16.5 seconds

## Print Resolution, Black

1200 x 1200 dpi, 4800 Color Quality (1200 x 600 dpi)

## Print Resolution, Color

1200 x 1200 dpi, 4800 Color Quality (1200 x 600 dpi)

## Scanning Resolution

600 X 600 dpi

## Processor

500 MHz

## Memory, Standard

128 MB

## Memory, Maximum

640 MB

## Expandable Memory Options

Yes

## Apple Macintosh Operating Systems Supported

Mac OS X, Mac OS 9.2

## Citrix MetaFrame

Microsoft Windows 2000 Server running Terminal Services with Citrix Presentation Server 3.0, 4.0, Microsoft Windows Server 2003 running Terminal Services with Citrix Presentation Server 3.0, 4.0, 4.5, Microsoft Windows Server 2003 x64 running Terminal Services with Citrix Presentation Server 4.0 x64, 4.5 x64

## Linux Operating Systems Supported

Linpus Linux Desktop 9.2, 9.3, Red Hat Enterprise Linux WS 3.0, 4.0, 5.0, SUSE Linux Enterprise Server 8.0, 9.0, 10.0, SUSE Linux Enterprise Desktop 10, openSUSE 10.2, 10.3, 11.0, Linspire Linux 6.0, Debian GNU/Linux 4.0, Red Flag Linux Desktop 5.0, 6.0, Ubuntu 7.10, Ubuntu 8.04 LTS

## Microsoft Windows Operating Systems Supported

2000, XP, Server 2003, XP x64, Server 2003 running Terminal Services, 2000 Server running Terminal Services, Server 2003 x64, Server 2003 x64 running Terminal Services, Vista, Vista x64, Server 2008, Server 2008 x64, Server 2008 running Terminal Services, Server 2008 x64 running Terminal Services

## Novell Operating Systems Supported

Open Enterprise Server for Netware with NDS, iPrint or

Novell Distributed Print Services (NDPS), NetWare 5.x, 6.x with iPrint or Novell Distributed Print Services (NDPS)

## UNIX Operating Systems Supported

Sun Solaris SPARC 8, 9, 10, Sun Solaris x86 10, HP-UX 11.11, 11.23, 11.31, IBM AIX 5.2, 5.3, 6.1

## Paper Handling Standard

150-Sheet Output Bin, Integrated Duplex, Single Sheet Manual Feed, 250-Sheet Input Tray

## Paper Handling Optional

550-Sheet Duo Drawer with 100-Sheet Multipurpose Feeder

## Paper Input Capacity, Standard: Up to

250+1 pages 20 lb or 75 gsm bond

## Paper Input Capacity, Maximum: Up to

900 +1 pages 20 lb or 75 gsm bond

## Paper Output Capacity, Standard: Up to

150 pages 20 lb or 75 gsm bond

## Paper Output Capacity, Maximum: Up to

150 pages 20 lb or 75 gsm bond

## ADF Paper Input Capacity

Up to 50 pages 20 lb or 75 gsm bond

## Finishing Option

No

## Number of Paper Inputs, Standard

2

## Number of Paper Inputs, Maximum

4

## Media Types Supported

Card Stock, Paper Labels, Plain Paper, Transparencies, Refer to the Card Stock & Label Guide

## Media Sizes Supported

A4, A5, Executive, Folio, JIS-B5, Legal, Letter, Universal, Oficio, A6

## Standard Ports

Ethernet 10/100BaseTX (RJ-45), USB 2.0 Specification Hi-Speed Certified (Type B), PictBridge Certified Port, 802.11b/g/n Wireless, Front USB Port Compatible with USB 2.0 Specification (Type A)

## Optional Network Ports

External MarkNet™ N7020e Gigabit Ethernet

## Network Printing Methods

LPR/LPD, Direct IP (Port 9100), Enhanced IP (Port 9400), FTP, TFTP, IPP 1.1 (Internet Printing Protocol)

## Network Protocol Support

TCP/IP IPv4, AppleTalk™, TCP/IP IPv6, TCP, UDP

## Printable Area

0.167 inches of the top, bottom, right and left edges (within)

## Printer Languages (Standard)

PCL 5c Emulation, PCL 6 Emulation, Personal Printer Data Stream (PPDS), PostScript 3 Emulation, PDF 1.6, Direct Image

## Reduce / Enlarge Range

25 - 400 %

## Scan Area, Maximum

8.5 x 14 inches

## Modem Speed

33.6 Kbps

## Supplies Yield

\*Average continuous black or continuous composite CMY declared cartridge yield up to this number of standard pages in accordance with ISO/IEC 19798, 1,000\*-page color Toner Cartridges (CMY), 2,000\*-page color High Yield Toner Cartridges (CMY), 4,000\*-page color Extra High Yield Toner Cartridges (CMY), 2,500\*-page Black High Yield Toner Cartridge, 6,000\*-page Black Extra High Yield Toner Cartridge, 1,000\*-page Black Toner Cartridge

## Cartridge(s) Shipping with Product

2,500\*-page Black Return Program Toner Cartridge, 2,000\*-page color (CMY) Return Program Toner Cartridges

## Packaged Size (in. - H x W x D)

21.93 x 22.96 x 22.05 in.

## Size (in. - H x W x D)

18.23 x 17.32 x 21.14 in.

## Size, Trays Extended (in. - H x W x D)

20.59 x 19.37 x 22.48 in.

## Weight (lb.)

60 lb.

## Noise Level, Idle

inaudible dBA

## Print Noise Level, Operating

48 dBA

## Copy Noise Level, Operating

50 dBA

## Scan Noise Level, Operating

45 dBA

## Product Warranty

1-Year Onsite Service, Next Business Day

## Maximum Monthly Duty Cycle

Up to 55,000 pages per month

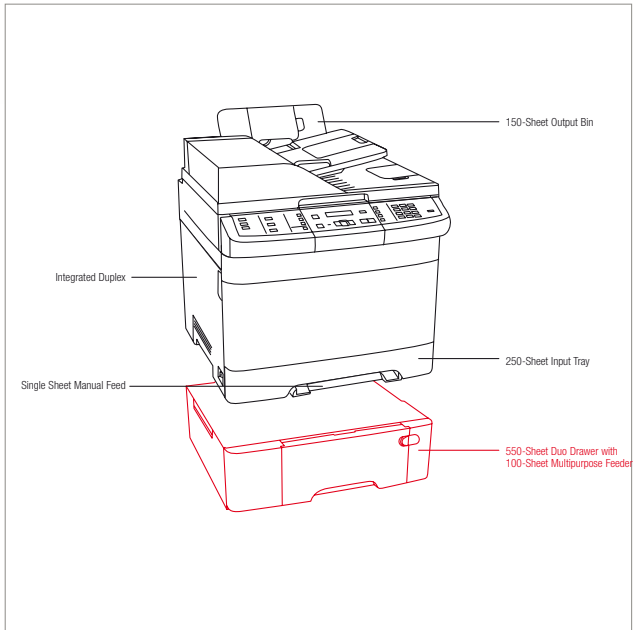
## Recommended Monthly Page Volume

800 - 3,000 pages

## License/Agreement Terms

Printers are sold subject to certain license/agreement conditions. See [www.lexmark.com/printerlicense](http://www.lexmark.com/printerlicense) for details.





Paper Handling Standard  
 Paper Handling Optional

| Part #  | Model          |
|---------|----------------|
| 26C0400 | Lexmark X544dw |

| Part #   | Laser Toner/Print Cartridge  |
|----------|--|
| C544X1KG | C544, X544 Black Extra High Yield Return Program Toner Cartridge               |
| C544X1CG | C544, X544 Cyan Extra High Yield Return Program Toner Cartridge                |
| C544X1MG | C544, X544 Magenta Extra High Yield Return Program Toner Cartridge             |
| C544X1YG | C544, X544 Yellow Extra High Yield Return Program Toner Cartridge              |
| C540H1KG | C540, C543, C544, X543, X544 Black High Yield Return Program Toner Cartridge   |
| C540H1CG | C540, C543, C544, X543, X544 Cyan High Yield Return Program Toner Cartridge    |
| C540H1MG | C540, C543, C544, X543, X544 Magenta High Yield Return Program Toner Cartridge |
| C540H1YG | C540, C543, C544, X543, X544 Yellow High Yield Return Program Toner Cartridge  |
| C540A1KG | C540, C543, C544, X543, X544 Black Return Program Toner Cartridge              |
| C540A1CG | C540, C543, C544, X543, X544 Cyan Return Program Toner Cartridge               |
| C540A1MG | C540, C543, C544, X543, X544 Magenta Return Program Toner Cartridge            |
| C540A1YG | C540, C543, C544, X543, X544 Yellow Return Program Toner Cartridge             |
| C544X2KG | C544, X544 Black Extra High Yield Toner Cartridge                              |
| C544X2CG | C544, X544 Cyan Extra High Yield Toner Cartridge                               |
| C544X2MG | C544, X544 Magenta Extra High Yield Toner Cartridge                            |
| C544X2YG | C544, X544 Yellow Extra High Yield Toner Cartridge                             |
| C540H2KG | C540, C543, C544, X543, X544 Black High Yield Toner Cartridge                  |
| C540H2CG | C540, C543, C544, X543, X544 Cyan High Yield Toner Cartridge                   |
| C540H2MG | C540, C543, C544, X543, X544 Magenta High Yield Toner Cartridge                |
| C540H2YG | C540, C543, C544, X543, X544 Yellow High Yield Toner Cartridge                 |
| C540X75G | C540, C543, C544, X543, X544 Waste Toner Bottle                                |
| C540X71G | C540, C543, C544, X543, X544 Black Imaging Kit                                 |
| C540X74G | C540, C543, C544, X543, X544 Black and Color Imaging Kit                       |

| Part #  | Paper & Transparencies                          |
|---------|---|
| 12A5950 | Glossy Laser Paper, Letter (200 sheets)         |
| 12A8240 | Professional Color Laser Transparencies, Letter |

| Part #  | Paper Handling  |
|---------|---|
| 3000551 | 550-Sheet Duo Drawer with 100-Sheet Multipurpose Feeder |

| Part #  | Memory Options                |
|---------|-------------------------------|
| 1022298 | 128MB DDR1-DRAM               |
| 1022299 | 256MB DDR1-DRAM               |
| 1022301 | 512MB DDR1-DRAM               |
| 1021209 | 64MB Flash Card               |
| 30G0828 | Japanese Font Card            |
| 30G0825 | Korean Font Card              |
| 30G0826 | Simplified Chinese Font Card  |
| 30G0827 | Traditional Chinese Font Card |

| Part #  | Connectivity        |
|---------|---------------------|
| 1021294 | USB Cable (2-meter) |

|         |   |
|---------|---|
| 14T0220 | MarkNet™ N7020e Gigabit Ethernet Print Server |
|---------|---|

| Part #  | Extended Warranties                              |
|---------|--|
| 2350521 | 2-Years Total Onsite Service, Next Business Day  |
| 2350522 | 3-Years Total Onsite Service, Next Business Day  |
| 2350525 | 1-Year Onsite Service Renewal, Next Business Day |

| Part #   | User Replaceable Parts                              |
|----------|---|
| 40X5471  | ADF Separator Roll                                  |
| 40X5472  | ADF Separator Pad                                   |
| 40X5535  | ADF Flatbed Cushion                                 |
| 40X5470  | ADF Paper Tray                                      |
| 40X5484  | Output Bin Extension                                |
| 40X5168  | Pick Tire   |
| 3049485  | X543, X544 Relocation Kit                           |
| C540X31G | C540, C543, C544, X543, X544 Black Developer Unit   |
| C540X32G | C540, C543, C544, X543, X544 Cyan Developer Unit    |
| C540X33G | C540, C543, C544, X543, X544 Magenta Developer Unit |
| C540X34G | C540, C543, C544, X543, X544 Yellow Developer Unit  |



# Lexmark X544dtn

Network-ready 4-in-1 compact color laser multifunction product with paper-saving duplex and extra input capacity

## Print Technology

Color Laser

### Function

Color Copying, Color Faxing, Color Printing, Color Scanning, Network Scanning

### Print Speed (Letter, Black)

Up to 25 ppm

### Print Speed (Letter, Color)

Up to 25 ppm

### Time to First Page (Black)

As fast as 13 seconds

### Time to First Page (Color)

As fast as 13 seconds

### Copy Speed (Letter, Black)

Up to 25 ppm

### Copy Speed (Letter, Color)

Up to 25 ppm

### Time to First Copy (Black)

As fast as 16.5 seconds

### Print Resolution, Black

1200 x 1200 dpi, 4800 Color Quality (1200 x 600 dpi)

### Print Resolution, Color

1200 x 1200 dpi, 4800 Color Quality (1200 x 600 dpi)

### Scanning Resolution

600 X 600 dpi

### Processor

500 MHz

### Memory, Standard

128 MB

### Memory, Maximum

640 MB

### Expandable Memory Options

Yes

### Apple Macintosh Operating Systems Supported

Mac OS X, Mac OS 9.2

### Citrix MetaFrame

Microsoft Windows 2000 Server running Terminal Services with Citrix Presentation Server 3.0, 4.0, Microsoft Windows Server 2003 running Terminal Services with Citrix Presentation Server 3.0, 4.0, 4.5, Microsoft Windows Server 2003 x64 running Terminal Services with Citrix Presentation Server 4.0 x64, 4.5 x64

### Linux Operating Systems Supported

Linpus Linux Desktop 9.2, 9.3, Red Hat Enterprise Linux WS 3.0, 4.0, 5.0, SUSE Linux Enterprise Server 8.0, 9.0, 10.0, SUSE Linux Enterprise Desktop 10, openSUSE 10.2, 10.3, 11.0, Linspire Linux 6.0, Debian GNU/Linux 4.0, Red Flag Linux Desktop 5.0, 6.0, Ubuntu 7.10, Ubuntu 8.04 LTS

### Microsoft Windows Operating Systems Supported

2000, XP, Server 2003, XP x64, Server 2003 running Terminal Services, 2000 Server running Terminal Services, Server 2003 x64, Server 2003 x64 running Terminal Services, Vista, Vista x64, Server 2008, Server 2008 x64, Server 2008 running Terminal Services, Server 2008 x64 running Terminal Services

### Novell Operating Systems Supported

Open Enterprise Server for Netware with NDS, iPrint or

Novell Distributed Print Services (NDPS), NetWare 5.x, 6.x with iPrint or Novell Distributed Print Services (NDPS)

### UNIX Operating Systems Supported

Sun Solaris SPARC 8, 9, 10, Sun Solaris x86 10, HP-UX 11.11, 11.23, 11.31, IBM AIX 5.2, 5.3, 6.1

### Paper Handling Standard

150-Sheet Output Bin, Integrated Duplex, Single Sheet Manual Feed, 250-Sheet Input Tray, 550-Sheet Duo Drawer with 100-Sheet Feeder

### Paper Input Capacity, Standard: Up to

900+1 pages 20 lb or 75 gsm bond

### Paper Input Capacity, Maximum: Up to

900+1 pages 20 lb or 75 gsm bond

### Paper Output Capacity, Standard: Up to

150 pages 20 lb or 75 gsm bond

### Paper Output Capacity, Maximum: Up to

150 pages 20 lb or 75 gsm bond

### ADF Paper Input Capacity

Up to 50 pages 20 lb or 75 gsm bond

### Finishing Option

No

### Number of Paper Inputs, Standard

4

### Number of Paper Inputs, Maximum

4

### Media Types Supported

Card Stock, Paper Labels, Plain Paper, Transparencies, Refer to the Card Stock & Label Guide

### Media Sizes Supported

A4, A5, Executive, Folio, JIS-B5, Legal, Letter, Statement, Universal, Oficio, A6

### Standard Ports

Ethernet 10/100BaseTX (RJ-45), USB 2.0 Specification Hi-Speed Certified (Type B), PictBridge Certified Port, Front USB Port Compatible with USB 2.0 Specification (Type A)

### Optional Network Ports

Lexmark N4050e 802.11g Wireless Print Server (Print Only), External MarkNet™ N7020e Gigabit Ethernet

### Network Printing Methods

LPR/LPD, Direct IP (Port 9100), Enhanced IP (Port 9400), FTP, TFTP, IPP 1.1 (Internet Printing Protocol)

### Network Protocol Support

TCP/IP, IPv4, AppleTalk™, TCP/IP, IPv6, TCP, UDP

### Printable Area

0.167 inches of the top, bottom, right and left edges (within)

### Printer Languages (Standard)

PCL 5c Emulation, PCL 6 Emulation, Personal Printer Data Stream (PPDS), PostScript 3 Emulation, PDF 1.6, Direct Image

### Reduce / Enlarge Range

25 - 400 %

### Scan Area, Maximum

8.5 x 14 inches

### Modem Speed

33.6 Kbps

### Supplies Yield

\*Average continuous black or continuous composite CMY declared cartridge yield up to this number of standard pages in accordance with ISO/IEC 19798. 1,000\*-page color Toner Cartridges (CMY), 2,000\*-page color High Yield Toner Cartridges (CMY), 4,000\*-page color Extra High Yield Toner Cartridges (CMY), 2,500\*-page Black High Yield Toner Cartridge, 6,000\*-page Black Extra High Yield Toner Cartridge, 1,000\*-page Black Toner Cartridge

### Cartridge(s) Shipping with Product

2,500\*-page Black Return Program Toner Cartridge, 2,000\*-page color (CMY) Return Program Toner Cartridges

### Packaged Size (in. - H x W x D)

31.5 x 23.54 x 22.64 in.

### Size (in. - H x W x D)

23.5 x 17.32 x 21.14 in.

### Size, Trays Extended (in. - H x W x D)

25.86 x 19.37 x 28 in.

### Weight (lb.)

69.15 lb.

### Noise Level, Idle

inaudible dBA

### Print Noise Level, Operating

48 dBA

### Copy Noise Level, Operating

50 dBA

### Scan Noise Level, Operating

45 dBA

### Product Warranty

1-Year Onsite Service, Next Business Day

### Maximum Monthly Duty Cycle

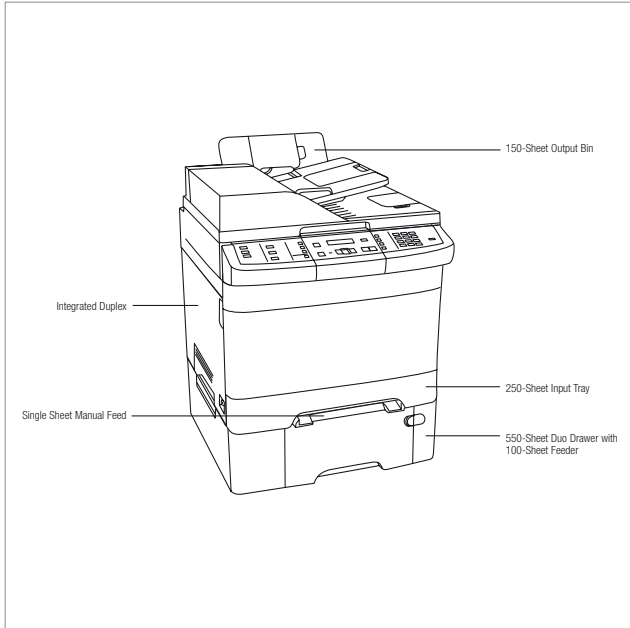
Up to 55,000 pages per month

### Recommended Monthly Page Volume

800 - 3,000 pages

### License/Agreement Terms

Printers are sold subject to certain license/agreement conditions. See [www.lexmark.com/printerlicense](http://www.lexmark.com/printerlicense) for details.



■ Paper Handling Standard

| Part #  | Model           |
|---------|-----------------|
| 26C0300 | Lexmark X544dtn |

| Part #   | Laser Toner/Print Cartridge  |
|----------|--|
| C544X1KG | C544, X544 Black Extra High Yield Return Program Toner Cartridge               |
| C544X1CG | C544, X544 Cyan Extra High Yield Return Program Toner Cartridge                |
| C544X1MG | C544, X544 Magenta Extra High Yield Return Program Toner Cartridge             |
| C544X1YG | C544, X544 Yellow Extra High Yield Return Program Toner Cartridge              |
| C540H1KG | C540, C543, C544, X543, X544 Black High Yield Return Program Toner Cartridge   |
| C540H1CG | C540, C543, C544, X543, X544 Cyan High Yield Return Program Toner Cartridge    |
| C540H1MG | C540, C543, C544, X543, X544 Magenta High Yield Return Program Toner Cartridge |
| C540H1YG | C540, C543, C544, X543, X544 Yellow High Yield Return Program Toner Cartridge  |
| C540A1KG | C540, C543, C544, X543, X544 Black Return Program Toner Cartridge              |
| C540A1CG | C540, C543, C544, X543, X544 Cyan Return Program Toner Cartridge               |
| C540A1MG | C540, C543, C544, X543, X544 Magenta Return Program Toner Cartridge            |
| C540A1YG | C540, C543, C544, X543, X544 Yellow Return Program Toner Cartridge             |
| C544X2KG | C544, X544 Black Extra High Yield Toner Cartridge                              |
| C544X2CG | C544, X544 Cyan Extra High Yield Toner Cartridge                               |
| C544X2MG | C544, X544 Magenta Extra High Yield Toner Cartridge                            |
| C544X2YG | C544, X544 Yellow Extra High Yield Toner Cartridge                             |
| C540H2KG | C540, C543, C544, X543, X544 Black High Yield Toner Cartridge                  |
| C540H2CG | C540, C543, C544, X543, X544 Cyan High Yield Toner Cartridge                   |
| C540H2MG | C540, C543, C544, X543, X544 Magenta High Yield Toner Cartridge                |
| C540H2YG | C540, C543, C544, X543, X544 Yellow High Yield Toner Cartridge                 |
| C540X75G | C540, C543, C544, X543, X544 Waste Toner Bottle                                |
| C540X71G | C540, C543, C544, X543, X544 Black Imaging Kit                                 |
| C540X74G | C540, C543, C544, X543, X544 Black and Color Imaging Kit                       |

| Part #  | Paper & Transparencies                          |
|---------|---|
| 12A5950 | Glossy Laser Paper, Letter (200 sheets)         |
| 12A8240 | Professional Color Laser Transparencies, Letter |

| Part #  | Paper Handling  |
|---------|---|
| 3000551 | 550-Sheet Duo Drawer with 100-Sheet Multipurpose Feeder |

| Part #  | Memory Options                |
|---------|-------------------------------|
| 1022298 | 128MB DDR1-DRAM               |
| 1022299 | 256MB DDR1-DRAM               |
| 1022301 | 512MB DDR1-DRAM               |
| 1021209 | 64MB Flash Card               |
| 30G0828 | Japanese Font Card            |
| 30G0825 | Korean Font Card              |
| 30G0826 | Simplified Chinese Font Card  |
| 30G0827 | Traditional Chinese Font Card |

| Part #  | Connectivity        |
|---------|---------------------|
| 1021294 | USB Cable (2-meter) |

|         |   |
|---------|---|
| 14T0145 | Lexmark N4050e 802.11g Wireless Print Server  |
| 14T0220 | MarkNet™ N7020e Gigabit Ethernet Print Server |

| Part #  | Extended Warranties                              |
|---------|--|
| 2350521 | 2-Years Total Onsite Service, Next Business Day  |
| 2350522 | 3-Years Total Onsite Service, Next Business Day  |
| 2350525 | 1-Year Onsite Service Renewal, Next Business Day |

| Part #   | User Replaceable Parts                              |
|----------|---|
| 40X5471  | ADF Separator Roll                                  |
| 40X5472  | ADF Separator Pad                                   |
| 40X5535  | ADF Flatbed Cushion                                 |
| 40X5470  | ADF Paper Tray                                      |
| 40X5494  | Output Bin Extension                                |
| 40X5168  | Pick Tire   |
| 3049485  | X543, X544 Relocation Kit                           |
| C540X31G | C540, C543, C544, X543, X544 Black Developer Unit   |
| C540X32G | C540, C543, C544, X543, X544 Cyan Developer Unit    |
| C540X33G | C540, C543, C544, X543, X544 Magenta Developer Unit |
| C540X34G | C540, C543, C544, X543, X544 Yellow Developer Unit  |



# Lexmark X560n

Network-ready color laser MFP for midsize workgroups

## Print Technology

Color Laser

### Print Speed (Letter, Black)

Up to 31 ppm

### Print Speed (Letter, Color)

Up to 20 ppm

### Time to First Page (Black)

As fast as 10 seconds

### Time to First Page (Color)

As fast as 10 seconds

### Copy Speed (Letter, Black)

Up to 31 cpm

### Copy Speed (Letter, Color)

Up to 20 cpm

### Time to First Copy (Black)

As fast as 10 seconds

### Print Resolution, Black

2400 Image Quality, 600 x 600 dpi

### Print Resolution, Color

2400 Image Quality, 600 x 600 dpi

### Processor

400 Mhz

### Memory, Standard

384 MB

### Memory, Maximum

1408 MB

### Expandable Memory Options

Yes

### Apple Macintosh Operating Systems Supported

Mac OS X (10.2 - 10.4)

### Citrix MetaFrame

Microsoft Windows 2000 Server running Terminal Services with Citrix Presentation Server 4.0, Microsoft Windows Server 2003 running Terminal Services with Citrix Presentation Server 4.0, Microsoft Windows Server 2003 x64 running Terminal Services with Citrix Presentation Server 4.0

### Linux Operating Systems Supported

SUSE Linux 9.2, 9.3, Red Hat Enterprise Linux WS 3.0, 4.0

### Microsoft Windows Operating Systems Supported

2000, XP, Server 2003, XP x64, Server 2003 x64, Vista, Vista x64

## Paper Handling Standard

150-Sheet Multipurpose Feeder, 250-Sheet Input Tray, 350-Sheet Output Bin

### Paper Handling Optional

550-Sheet Drawer, Duplex Unit

### Paper Input Capacity, Standard: Up to

400 pages 20 lb or 75 gsm bond

### Paper Input Capacity, Maximum: Up to

950 pages 20 lb or 75 gsm bond

### Paper Output Capacity, Standard: Up to

350 pages 20 lb or 75 gsm bond

### Paper Output Capacity, Maximum: Up to

350 pages 20 lb or 75 gsm bond

## ADF Paper Input Capacity

Up to 50 pages 20 lb or 75 gsm bond

### Finishing Option

No

### Number of Paper Inputs, Standard

2

### Number of Paper Inputs, Maximum

3

### Media Types Supported

Card Stock, Envelopes, Glossy Paper, Paper Labels, Plain Paper, Transparencies, Refer to the Card Stock & Label Guide

### Media Sizes Supported

10 Envelope, 7 3/4 Envelope, A4, A5, C5 Envelope, DL Envelope, Executive, Folio, JIS-B5, Legal, Letter, Statement, Universal

## Standard Ports

Centronics IEEE 1284 Bidirectional Parallel, Ethernet 10/100BaseTX (RJ-45), USB 2.0 Specification Hi-Speed Certified (Type B)

### Optional Network Ports

Lexmark N4050e 802.11g Wireless Print Server (Print Only), External MarkNet™ N7020e Gigabit Ethernet, External MarkNet™ N7000e Fast Ethernet (USB), External MarkNet™ N7002e Fast Ethernet (parallel), Internal Multiprotocol Card

### Network Printing Methods

LPR/LPD, Direct IP (Port 9100), HTTP, FTP

### Network Protocol Support

TCP/IP IPv4

### Printable Area

0.16 inches of the top, bottom, right and left edges (within)

### Printer Languages (Standard)

PCL 6 Emulation, Adobe PostScript® 3

### Reduce / Enlarge Range

25 - 400 %

### Scan Area, Maximum

8.5 x 14 inches

### Modem Speed

33.6 Kbps

## Supplies Yield

10,000\*-page black and color High Yield Print Cartridges, \*Average continuous black or continuous composite CMY

declared cartridge yield up to this number of standard pages in accordance with ISO/IEC 19798. Ships with 4,000\*-page color Print Cartridges and 5,000\*-page black starter Print Cartridge, 4,000\*-page color Print Cartridges (CMY)

### Packaged Size (in. - H x W x D)

36.2 x 23 x 27.6 in.

### Size (in. - H x W x D)

28.7 x 18.1 x 20.67 in.

## Size, Trays Extended (in. - H x W x D)

28.7 x 21.1 x 34.67 in.

### Weight (lb.)

88.2 lb.

### Noise Level, Idle

28 dBA

### Print Noise Level, Operating

52 dBA

### Copy Noise Level, Operating

52 dBA

### Scan Noise Level, Operating

45 dBA

### Product Warranty

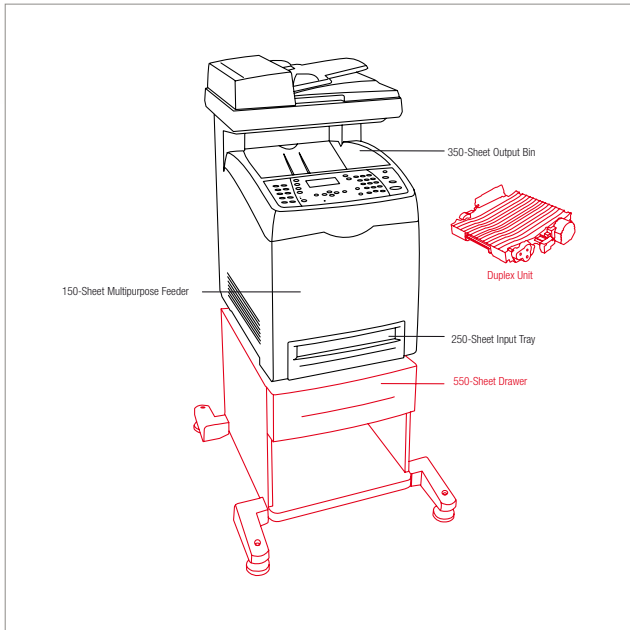
1-Year Onsite Repair, Next Business Day

### Maximum Monthly Duty Cycle

Up to 60,000 pages per month

### Recommended Monthly Page Volume

1,000 - 5,500 pages



| Part #  | Model         |
|---------|---------------|
| 14A1010 | Lexmark X560n |

| Part #   | Laser Toner/Print Cartridge             |
|----------|---|
| X560H2KG | X560 Black High Yield Print Cartridge   |
| X560H2CG | X560 Cyan High Yield Print Cartridge    |
| X560H2MG | X560 Magenta High Yield Print Cartridge |
| X560H2YG | X560 Yellow High Yield Print Cartridge  |
| X560A2CG | X560 Cyan Print Cartridge               |
| X560A2MG | X560 Magenta Print Cartridge            |
| X560A2YG | X560 Yellow Print Cartridge             |

| Part #  | Paper & Transparencies                          |
|---------|---|
| 12A8240 | Professional Color Laser Transparencies, Letter |
| 12A5950 | Glossy Laser Paper, Letter (200 sheets)         |

| Part #  | Paper Handling              |
|---------|-----------------------------|
| 14A1121 | X560 Duplex Unit            |
| 14A1120 | X560 550-Sheet Drawer Stand |

| Part #  | Memory Options   |
|---------|------------------|
| 1025041 | 256MB DDR2-DRAM  |
| 1025042 | 512MB DDR2-DRAM  |
| 1025043 | 1024MB DDR2-DRAM |

| Part #  | Connectivity  |
|---------|---|
| 14A1122 | X560 Multi-Protocol Card                              |
| 1021294 | USB Cable (2-meter)                                   |
| 14T0145 | Lexmark N4050e 802.11g Wireless Print Server          |
| 14T0220 | MarkNet™ N7020e Gigabit Ethernet Print Server         |
| 14T0230 | MarkNet™ N7000e Fast Ethernet Print Server - USB      |
| 14T0240 | MarkNet™ N7002e Fast Ethernet Print Server - Parallel |
| 1021231 | Parallel Cable (10-foot)                              |

| Part #  | Extended Warranties                             |
|---------|---|
| 2349754 | 2-Years Total Onsite Service, Next Business Day |
| 2349755 | 3-Years Total Onsite Service, Next Business Day |

| Part #  | User Replaceable Parts                      |
|---------|---|
| 40X4865 | X560 Multipurpose feeder feed kit           |
| 40X4860 | X560 Fuser 110-120V                         |
| 40X4861 | X560 Fuser 220-240V                         |
| 40X4868 | X560 Transfer belt                          |
| 40X4862 | X560 Multipurpose feeder separator roll kit |
| 40X4866 | X560 Feed roll kit (250/550-sheet tray)     |
| 40X4924 | X560 ADF maintenance kit                    |



# Lexmark X734de

High-performance color workgroup MFP  
with advanced security and functionality

## Print Technology

Color Laser

## Function

Color Copying, Color Printing, Color Scanning, Color Network Scanning

## Print Speed (Letter, Black)

Up to 30 ppm

## Print Speed (Letter, Color)

Up to 30 ppm

## Print Speed (Letter, Black) Duplex

Up to 20 spm

## Time to First Page (Black)

As fast as <10 seconds

## Time to First Page (Color)

As fast as <10 seconds

## Copy Speed (Letter, Black)

Up to 30 ppm

## Copy Speed (Letter, Color)

Up to 30 ppm

## Time to First Copy (Black)

As fast as 15.5 seconds

## Print Resolution, Black

1200 x 1200 dpi, 4800 Color Quality (2400 x 600 dpi)

## Print Resolution, Color

1200 x 1200 dpi, 4800 Color Quality (2400 x 600 dpi)

## Scanning Resolution

600 X 600 dpi

## Processor

600 MHz

## Memory, Standard

1536 MB

## Memory, Maximum

1536 MB

## Expandable Memory Options

Yes

## Apple Macintosh Operating Systems Supported

Mac OS X, Mac OS 9.2

## Citrix MetaFrame

Microsoft Windows 2000 Server running Terminal Services with Citrix Presentation Server 3.0, 4.0, Microsoft Windows Server 2003 running Terminal Services with Citrix Presentation Server 3.0, 4.0, 4.5, Microsoft Windows Server 2003 x64 running Terminal Services with Citrix Presentation Server 4.0 x64, 4.5 x64

## Linux Operating Systems Supported

Linpus Linux Desktop 9.2, 9.3, Red Hat Enterprise Linux WS 3.0, 4.0, 5.0, SUSE Linux Enterprise Server 8.0, 9.0, 10.0, SUSE Linux Enterprise Desktop 10, openSUSE 10.2, 10.3, 11.0, Linspire Linux 6.0, Debian GNU/Linux 4.0, Red Flag Linux Desktop 5.0, 6.0, Ubuntu 7.10, Ubuntu 8.04 LTS

## Microsoft Windows Operating Systems Supported

XP, Server 2003, XP x64, Server 2003 running Terminal Services, 2000 Server running Terminal Services, Server 2003 x64, Server 2003 x64 running Terminal Services, Vista, Vista x64, Server 2008, Server 2008 x64, Server 2008 running Terminal Services, Server 2008 x64 running Terminal Services

## Novell Operating Systems Supported

Open Enterprise Server for Netware with NDS, iPrint or Novell Distributed Print Services (NDPS), NetWare 5.x, 6.x with iPrint or Novell Distributed Print Services (NDPS)

## UNIX Operating Systems Supported

Sun Solaris SPARC 8, 9, 10, Sun Solaris x86 10, HP-UX 11.11, 11.23, 11.31, IBM AIX 5.2, 5.3, 6.1

## Paper Handling Standard

250-Sheet Output Bin, Integrated Duplex, 100-Sheet Multipurpose Feeder, 550-Sheet Input Tray

## Paper Handling Optional

550-Sheet Drawer, 2,000-Sheet High-Capacity Feeder, 550-Sheet Specialty Media Drawer

## Paper Input Capacity, Standard: Up to

650 pages 20 lb or 75 gsm bond

## Paper Input Capacity, Maximum: Up to

3200 pages 20 lb or 75 gsm bond

## Paper Output Capacity, Standard: Up to

250 pages 20 lb or 75 gsm bond

## Paper Output Capacity, Maximum: Up to

250 pages 20 lb or 75 gsm bond

## ADF Paper Input Capacity

Up to 50 pages 20 lb or 75 gsm bond

## Finishing Option

No

## Number of Paper Inputs, Standard

2

## Number of Paper Inputs, Maximum

5

## Media Types Supported

Card Stock, Envelopes, Glossy Paper, Paper Labels, Plain Paper, Transparencies, Vinyl Labels, Refer to the Card Stock & Label Guide

## Media Sizes Supported

10 Envelope, 7 3/4 Envelope, 9 Envelope, A4, A5, B5 Envelope, C5 Envelope, DL Envelope, B5, Executive, Folio, JIS-B5, Legal, Letter, Statement, Universal, Oficio

## Standard Ports

Ethernet 10/100BaseTX (RJ-45), USB 2.0 Specification Hi-Speed Certified (Type B), PictBridge Certified Port, Front USB 2.0 Specification Hi-Speed Certified Port (Type A), Rear USB 2.0 Specification Hi-Speed Certified Port (Type A)

## Optional Network Ports

Lexmark N4050e 802.11g Wireless Print Server (Print Only), External MarkNet™ N7020e Gigabit Ethernet, Internal MarkNet™ N8120 Gigabit Ethernet, Internal MarkNet™ N8130 Fiber Fast Ethernet, Internal MarkNet™ N8150 802.11b/g/n Wireless

## Network Printing Methods

LPR/LPD, Direct IP (Port 9100), HTTP, NDS Queue-based Printing, NDPS/NEPS (Novell Distributed Print Services), Novell Network Enterprise Print Services, Enhanced IP (Port 9400), FTP, TFTP, IPP 1.1 (Internet Printing Protocol),

ThinPrint .print integration

## Network Protocol Support

TCP/IP IPv4, IPX/SPX, AppleTalk™, LexLink (DLC), TCP/IP IPv6, TCP, UDP

## Network Security

SNMPv3, 802.1x Authentication: MD5, MSCHAPv2, LEAP, PEAP, TLS, TTLS, IPSec

## Printable Area

0.167 inches of the top, bottom, right and left edges (within)

## Printer Languages (Standard)

PCL 5c Emulation, PCL 6 Emulation, Personal Printer Data Stream (PPDS), PostScript 3 Emulation, xHTML, PDF 1.6, Direct Image, Microsoft XPS (XML Paper Specification)

## Reduce / Enlarge Range

25 - 400 %

## Scan Area, Maximum

8.5 x 14 inches

## Modem Speed

33.6 Kbps

## Supplies Yield

\*Average continuous black or continuous composite CMY declared cartridge yield up to this number of standard pages in accordance with ISO/IEC 19798., 6,000\*-page color Toner Cartridges (CMY), 8,000\*-page Black Toner Cartridge

## Cartridge(s) Shipping with Product

4,000\*-page Black starter Return Program Toner Cartridge, 4,000\*-page color (CMY) starter Return Program Toner Cartridges

## Packaged Size (in. - H x W x D)

41.1 x 28.74 x 26.38 in.

## Size (in. - H x W x D)

31.0 x 21.5 x 24.5 in.

## Weight (lb.)

97 lb.

## Noise Level, Idle

35 dBA

## Print Noise Level, Operating

53 dBA

## Copy Noise Level, Operating

54 dBA

## Scan Noise Level, Operating

54 dBA

## Product Warranty

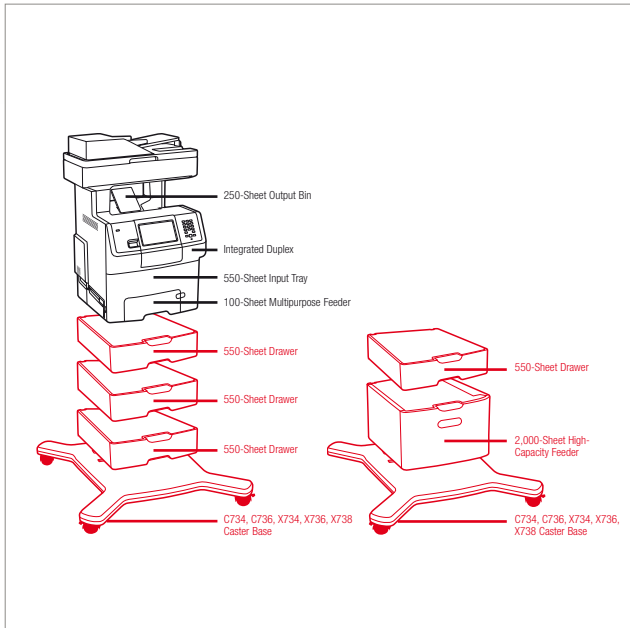
1-Year Onsite Service, Next Business Day

## Maximum Monthly Duty Cycle

Up to 85,000 pages per month

## Recommended Monthly Page Volume

2,500 - 9,200 pages



Paper Handling Standard  
 Paper Handling Optional

| Part #  | Model          |
|---------|----------------|
| MS00300 | Lexmark X734de |

| Part #   | Laser Toner/Print Cartridge   |
|----------|---|
| C734A1KG | C734, C736, X734, X736, X738 Black Return Program Toner Cartridge   |
| C734A1CG | C734, C736, X734, X736, X738 Cyan Return Program Toner Cartridge    |
| C734A1MG | C734, C736, X734, X736, X738 Magenta Return Program Toner Cartridge |
| C734A1YG | C734, C736, X734, X736, X738 Yellow Return Program Toner Cartridge  |
| C734A2KG | C734, C736, X734, X736, X738 Black Toner Cartridge                  |
| C734A2CG | C734, C736, X734, X736, X738 Cyan Toner Cartridge                   |
| C734A2MG | C734, C736, X734, X736, X738 Magenta Toner Cartridge                |
| C734A2YG | C734, C736, X734, X736, X738 Yellow Toner Cartridge                 |
| C734X77G | Waste Toner Box   |
| C734X20G | C734, C736, X734, X736, X738 Photoconductor Unit                    |
| C734X24G | C734, C736, X734, X736, X738 Photoconductor Unit, 4-Pack            |

| Part #  | Paper & Transparencies                          |
|---------|---|
| 12A5950 | Glossy Laser Paper, Letter (200 sheets)         |
| 12A8240 | Professional Color Laser Transparencies, Letter |

| Part #  | Paper Handling   |
|---------|--|
| 27S2100 | C734, C736, X734e, X736e, X738e 550-Sheet Drawer                 |
| 27S2400 | 2,000-Sheet High Capacity Feeder                                 |
| 27S2650 | C734, C736, X734e, X736e, X738e 550-Sheet Specialty Media Drawer |
| 27S2190 | 4.8 inch (12.2 cm) Spacer  |

| Part #   | Furniture                                |
|----------|--|
| 16M11210 | C734, C736, X734, X736, X738 Caster Base |

| Part #  | Memory Options                |
|---------|-------------------------------|
| 1025041 | 256MB DDR2-DRAM               |
| 1025042 | 512MB DDR2-DRAM               |
| 1025043 | 1024MB DDR2-DRAM              |
| 14F0245 | 256MB Flash Card              |
| 14F0102 | 80+GB Hard Disk               |
| 30G0828 | Japanese Font Card            |
| 30G0825 | Korean Font Card              |
| 30G0827 | Traditional Chinese Font Card |

| Part #  | Application Solutions                    |
|---------|--|
| 30G0829 | Lexmark PrintEncryption Card             |
| MS00497 | X734, X736, X738 Forms and Bar Code Card |
| MS00498 | X734, X736, X738 Card for IPDS/SCS/7Ne   |

| Part #  | Connectivity  |
|---------|---|
| 14F0037 | MarkNet N8120 Gigabit Ethernet Print Server                   |
| 14F0042 | MarkNet N8130 Fiber Ethernet 100BaseFX, 10BaseFL Print Server |
| 14F0040 | MarkNet N8150 802.11b/g/n Wireless Print Server               |
| 14T0145 | Lexmark N4050e 802.11g Wireless Print Server                  |
| 14T0220 | MarkNet™ N7020e Gigabit Ethernet Print Server                 |

|         |                                |
|---------|--------------------------------|
| 1021294 | USB Cable (2-meter)            |
| 14F0000 | Parallel 1284-B Interface Card |
| 1021231 | Parallel Cable (10-foot)       |
| 14F0100 | RS-232C Serial Interface Card  |

| Part #  | Extended Warranties                             |
|---------|---|
| 2350816 | 2-Years Total Onsite Service, Next Business Day |
| 2350817 | 3-Years Total Onsite Service, Next Business Day |
| 2350818 | 4-Years Total Onsite Service, Next Business Day |
| 2350819 | 5-Years Total Onsite Service, Next Business Day |

| Part #  | User Replaceable Parts                |
|---------|---------------------------------------|
| 40X5093 | C73x, X73x Fuser Maintenance 110-120V |
| 40X5096 | C73x, X73x Transfer Belt Maintenance  |
| 40X5187 | ADF Separator Pad                     |
| 40X5188 | ADF Pick Assembly                     |
| 40X5189 | ADF Pick Pad                          |
| 40X5168 | Pick Tire                             |
| 40X5152 | Pick Tire, Special Media Drawer       |

| Part #  | Installation Service             |
|---------|----------------------------------|
| 2350832 | X734 Install, De-Install Service |



# Lexmark X736de

High-performance color workgroup MFP  
with advanced security and functionality for  
higher volumes

## Print Technology

Color Laser

## Function

Color Copying, Color Printing, Color Scanning, Color Network Scanning

## Print Speed (Letter, Black)

Up to 35 ppm

## Print Speed (Letter, Color)

Up to 35 ppm

## Print Speed (Letter, Black) Duplex

Up to 23 spm

## Time to First Page (Black)

As fast as <10 seconds

## Time to First Page (Color)

As fast as <10 seconds

## Copy Speed (Letter, Black)

Up to 35 ppm

## Copy Speed (Letter, Color)

Up to 35 ppm

## Time to First Copy (Black)

As fast as 14 seconds

## Print Resolution, Black

1200 x 1200 dpi, 4800 Color Quality (2400 x 600 dpi)

## Print Resolution, Color

1200 x 1200 dpi, 4800 Color Quality (2400 x 600 dpi)

## Scanning Resolution

600 X 600 dpi

## Processor

900 MHz

## Memory, Standard

512 MB

## Memory, Maximum

1536 MB

## Expandable Memory Options

Yes

## Apple Macintosh Operating Systems Supported

Mac OS X, Mac OS 9.2

## Citrix MetaFrame

Microsoft Windows 2000 Server running Terminal Services with Citrix Presentation Server 3.0, 4.0, Microsoft Windows Server 2003 running Terminal Services with Citrix Presentation Server 3.0, 4.0, 4.5, Microsoft Windows Server 2003 x64 running Terminal Services with Citrix Presentation Server 4.0 x64, 4.5 x64

## Linux Operating Systems Supported

Linpus Linux Desktop 9.2, 9.3, Red Hat Enterprise Linux WS 3.0, 4.0, 5.0, SUSE Linux Enterprise Server 8.0, 9.0, 10.0, SUSE Linux Enterprise Desktop 10, openSUSE 10.2, 10.3, 11.0, Linspire Linux 6.0, Debian GNU/Linux 4.0, Red Flag Linux Desktop 5.0, 6.0, Ubuntu 7.10, Ubuntu 8.04 LTS

## Microsoft Windows Operating Systems Supported

2000, XP, Server 2003, XP x64, Server 2003 running Terminal Services, 2000 Server running Terminal Services, Server 2003 x64, Server 2003 x64 running Terminal Services, Vista, Vista x64, Server 2008, Server 2008 x64, Server 2008 running Terminal Services, Server 2008 x64 running Terminal Services

## Novell Operating Systems Supported

Open Enterprise Server for Netware with NDS, iPrint or Novell Distributed Print Services (NDPS), NetWare 5.x, 6.x with iPrint or Novell Distributed Print Services (NDPS)

## UNIX Operating Systems Supported

Sun Solaris SPARC 8, 9, 10, Sun Solaris x86 10, HP-UX 11.11, 11.23, 11.31, IBM AIX 5.2, 5.3, 6.1

## Paper Handling Standard

250-Sheet Output Bin, Integrated Duplex, 100-Sheet Multipurpose Feeder, 550-Sheet Input Tray

## Paper Handling Optional

550-Sheet Drawer, 2,000-Sheet High-Capacity Feeder, 550-Sheet Specialty Media Drawer

## Paper Input Capacity, Standard: Up to

650 pages 20 lb or 75 gsm bond

## Paper Input Capacity, Maximum: Up to

3200 pages 20 lb or 75 gsm bond

## Paper Output Capacity, Standard: Up to

250 pages 20 lb or 75 gsm bond

## Paper Output Capacity, Maximum: Up to

250 pages 20 lb or 75 gsm bond

## ADF Paper Input Capacity

Up to 50 pages 20 lb or 75 gsm bond

## Finishing Option

No

## Number of Paper Inputs, Standard

2

## Number of Paper Inputs, Maximum

5

## Media Types Supported

Card Stock, Envelopes, Glossy Paper, Paper Labels, Plain Paper, Transparencies, Vinyl Labels, Refer to the Card Stock & Label Guide

## Media Sizes Supported

10 Envelope, 7 3/4 Envelope, 9 Envelope, A4, A5, B5 Envelope, C5 Envelope, DL Envelope, B5, Executive, Folio, JIS-B5, Legal, Letter, Statement, Universal, Oficio

## Standard Ports

Ethernet 10/100BaseTX (RJ-45), USB 2.0 Specification Hi-Speed Certified (Type B), PictBridge Certified Port, Front USB 2.0 Specification Hi-Speed Certified Port (Type A), Rear USB 2.0 Specification Hi-Speed Certified Port (Type A)

## Optional Network Ports

Lexmark N4050e 802.11g Wireless Print Server (Print Only), External MarkNet™ N7020e Gigabit Ethernet, Internal MarkNet™ N8120 Gigabit Ethernet, Internal MarkNet™ N8130 Fiber Fast Ethernet, Internal MarkNet™ N8150 802.11b/g/n Wireless

## Network Printing Methods

LPR/LPD, Direct IP (Port 9100), HTTP, NDS Queue-based Printing, NDPS/NEPS (Novell Distributed Print Services), Novell Network Enterprise Print Services, Enhanced IP (Port 9400), FTP, TFTP, IPP 1.1 (Internet Printing Protocol),

ThinPrint .print integration

## Network Protocol Support

TCP/IP IPv4, IPX/SPX, AppleTalk™, LexLink (DLC), TCP/IP IPv6, TCP, UDP

## Network Security

SNMPv3, 802.1x Authentication: MD5, MSCHAPv2, LEAP, PEAP, TLS, TTLS, IPsec

## Printable Area

0.167 inches of the top, bottom, right and left edges (within)

## Printer Languages (Standard)

PCL 5c Emulation, PCL 6 Emulation, Personal Printer Data Stream (PPDS), PostScript 3 Emulation, xHTML, PDF 1.6, Direct Image, Microsoft XPS (XML Paper Specification)

## Reduce / Enlarge Range

25 - 400 %

## Scan Area, Maximum

8.5 x 14 inches

## Modem Speed

33.6 Kbps

## Supplies Yield

\*Average continuous black or continuous composite CMY declared cartridge yield up to this number of standard pages in accordance with ISO/IEC 19798., 6,000\*-page color Toner Cartridges (CMY), 8,000\*-page Black Toner Cartridge, 10,000\*-page color High Yield Toner Cartridges (CMY), 12,000\*-page Black High Yield Toner Cartridge

## Cartridge(s) Shipping with Product

6,000\*-page color (CMY) starter Return Program Toner Cartridges, 6,000\*-page Black starter Return Program Toner Cartridge

## Packaged Size (in. - H x W x D)

41.1 x 28.74 x 26.38 in.

## Size (in. - H x W x D)

31.0 x 21.5 x 24.5 in.

## Weight (lb.)

97 lb.

## Noise Level, Idle

35 dBA

## Print Noise Level, Operating

53 dBA

## Copy Noise Level, Operating

54 dBA

## Scan Noise Level, Operating

54 dBA

## Product Warranty

1-Year Onsite Service, Next Business Day

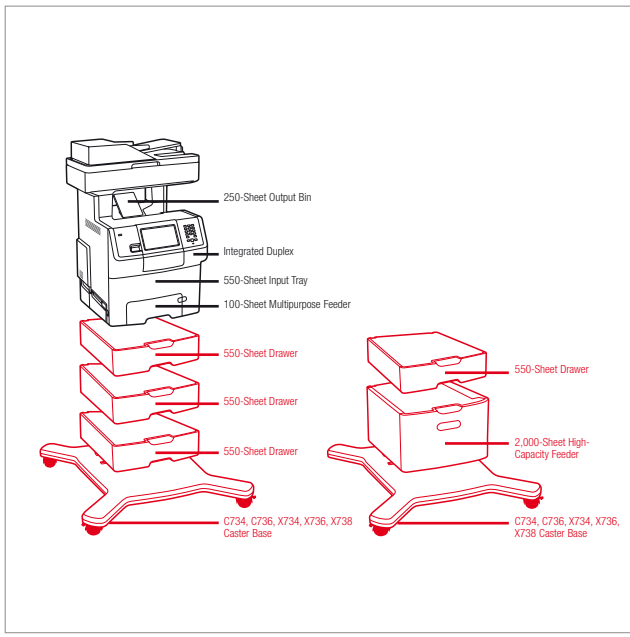
## Maximum Monthly Duty Cycle

Up to 85,000 pages per month

## Recommended Monthly Page Volume

3,000 - 10,000 pages





| Part #   | Model   |
|----------|---|
| MS00301  | Lexmark X736de  |
| Part #   | Laser Toner/Print Cartridge   |
| C736H1KG | C736, X736, X738 Black High Yield Return Program Toner Cartridge    |
| C734A1KG | C734, C736, X734, X736, X738 Black Return Program Toner Cartridge   |
| C736H1CG | C736, X736, X738 Cyan High Yield Return Program Toner Cartridge     |
| C734A1CG | C734, C736, X734, X736, X738 Cyan Return Program Toner Cartridge    |
| C736H1MG | C736, X736, X738 Magenta High Yield Return Program Toner Cartridge  |
| C734A1MG | C734, C736, X734, X736, X738 Magenta Return Program Toner Cartridge |
| C736H1YG | C736, X736, X738 Yellow High Yield Return Program Toner Cartridge   |
| C734A1YG | C734, C736, X734, X736, X738 Yellow Return Program Toner Cartridge  |
| C736H2KG | C736, X736, X738 Black High Yield Toner Cartridge                   |
| C734A2KG | C734, C736, X734, X736, X738 Black Toner Cartridge                  |
| C736H2CG | C736, X736, X738 Cyan High Yield Toner Cartridge                    |
| C734A2CG | C734, C736, X734, X736, X738 Cyan Toner Cartridge                   |
| C736H2MG | C736, X736, X738 Magenta High Yield Toner Cartridge                 |
| C734A2MG | C734, C736, X734, X736, X738 Magenta Toner Cartridge                |
| C736H2YG | C736, X736, X738 Yellow High Yield Toner Cartridge                  |
| C734A2YG | C734, C736, X734, X736, X738 Yellow Toner Cartridge                 |
| C734X77G | Waste Toner Box   |
| C734X20G | C734, C736, X734, X736, X738 Photoconductor Unit                    |
| C734X24G | C734, C736, X734, X736, X738 Photoconductor Unit, 4-Pack            |
| Part #   | Paper & Transparencies  |
| 12A5950  | Glossy Laser Paper, Letter (200 sheets)                             |
| 12A8240  | Professional Color Laser Transparencies, Letter                     |
| Part #   | Paper Handling  |
| 27S2100  | C734, C736, X734e, X736e, X738e 550-Sheet Drawer                    |
| 27S2400  | 2,000-Sheet High Capacity Feeder                                    |
| 27S2650  | C734, C736, X734e, X736e, X738e 550-Sheet Specialty Media Drawer    |
| 27S2190  | 4.8 inch (12.2 cm) Spacer   |
| Part #   | Furniture   |
| 16M1210  | C734, C736, X734, X736, X738 Caster Base                            |
| Part #   | Memory Options  |
| 1025041  | 256MB DDR2-DRAM   |
| 1025042  | 512MB DDR2-DRAM   |
| 1025043  | 1024MB DDR2-DRAM  |
| 14F0245  | 256MB Flash Card  |
| 14F0102  | 80+ GB Hard Disk  |
| 30G0828  | Japanese Font Card  |
| 30G0825  | Korean Font Card  |
| 30G0826  | Simplified Chinese Font Card  |
| 30G0827  | Traditional Chinese Font Card                                       |
| Part #   | Application Solutions   |
| 30G0829  | Lexmark PrintEncryption Card  |

| MS00497 | X734, X736, X738 Forms and Bar Code Card                      |
|---------|---|
| MS00498 | X734, X736, X738 Card for IPDS/SCS/TNe                        |
| Part #  | Connectivity  |
| 14F0037 | MarkNet N8120 Gigabit Ethernet Print Server                   |
| 14F0042 | MarkNet N8130 Fiber Ethernet 100BaseFX, 10BaseFL Print Server |
| 14F0040 | MarkNet N8150 802.11b/g/n Wireless Print Server               |
| 14T0145 | Lexmark N4050e 802.11g Wireless Print Server                  |
| 14T0220 | MarkNet™ N7020e Gigabit Ethernet Print Server                 |
| 1021294 | USB Cable (2-meter)   |
| 14F0000 | Parallel 1284-B Interface Card                                |
| 1021231 | Parallel Cable (10-foot)                                      |
| 14F0100 | RS-232C Serial Interface Card                                 |
| Part #  | Extended Warranties   |
| 2350834 | 2-Years Total Onsite Service, Next Business Day               |
| 2350835 | 3-Years Total Onsite Service, Next Business Day               |
| 2350836 | 4-Years Total Onsite Service, Next Business Day               |
| 2350837 | 5-Years Total Onsite Service, Next Business Day               |
| Part #  | User Replaceable Parts  |
| 40X5093 | C73x, X73x Fuser Maintenance 110-120V                         |
| 40X5096 | C73x, X73x Transfer Belt Maintenance                          |
| 40X5187 | ADF Separator Pad   |
| 40X5188 | ADF Pick Assembly   |
| 40X5189 | ADF Pick Pad  |
| 40X5188 | Pick Tire   |
| 40X5152 | Pick Tire, Special Media Drawer                               |
| Part #  | Installation Service  |
| 2350850 | X736 Install, De-Install Service                              |



# Lexmark X738de

High-performance, solutions-ready color workgroup MFP with advanced security and functionality, includes a hard disk

## Print Technology

Color Laser

## Function

Color Copying, Color Printing, Color Scanning, Color Network Scanning

## Print Speed (Letter, Black)

Up to 35 ppm

## Print Speed (Letter, Color)

Up to 35 ppm

## Print Speed (Letter, Black) Duplex

Up to 23 spm

## Time to First Page (Black)

As fast as <10 seconds

## Time to First Page (Color)

As fast as <10 seconds

## Copy Speed (Letter, Black)

Up to 35 ppm

## Copy Speed (Letter, Color)

Up to 35 ppm

## Time to First Copy (Black)

As fast as 14 seconds

## Print Resolution, Black

1200 x 1200 dpi, 4800 Color Quality (2400 x 600 dpi)

## Print Resolution, Color

1200 x 1200 dpi, 4800 Color Quality (2400 x 600 dpi)

## Scanning Resolution

600 X 600 dpi

## Processor

900 MHz

## Memory, Standard

512 MB

## Memory, Maximum

1536 MB

## Expandable Memory Options

Yes

## Apple Macintosh Operating Systems Supported

Mac OS X, Mac OS 9.2

## Citrix MetaFrame

Microsoft Windows 2000 Server running Terminal Services with Citrix Presentation Server 3.0, 4.0, Microsoft Windows Server 2003 running Terminal Services with Citrix Presentation Server 3.0, 4.0, 4.5, Microsoft Windows Server 2003 x64 running Terminal Services with Citrix Presentation Server 4.0 x64, 4.5 x64

## Linux Operating Systems Supported

Linpus Linux Desktop 9.2, 9.3, Red Hat Enterprise Linux WS 3.0, 4.0, 5.0, SUSE Linux Enterprise Server 8.0, 9.0, 10.0, SUSE Linux Enterprise Desktop 10, openSUSE 10.2, 10.3, 11.0, Linspire Linux 6.0, Debian GNU/Linux 4.0, Red Flag Linux Desktop 5.0, 6.0, Ubuntu 7.10, Ubuntu 8.04 LTS

## Microsoft Windows Operating Systems Supported

2000, XP, Server 2003, XP x64, Server 2003 running Terminal Services, 2000 Server running Terminal Services, Server 2003 x64, Server 2003 x64 running Terminal Services, Vista, Vista x64, Server 2008, Server 2008 x64, Server 2008 running Terminal Services, Server 2008 x64 running Terminal Services

## Novell Operating Systems Supported

Open Enterprise Server for Netware with NDS, iPrint or Novell Distributed Print Services (NDPS), NetWare 5.x, 6.x with iPrint or Novell Distributed Print Services (NDPS)

## UNIX Operating Systems Supported

Sun Solaris SPARC 8, 9, 10, Sun Solaris x86 10, HP-UX 11.11, 11.23, 11.31, IBM AIX 5.2, 5.3, 6.1

## Paper Handling Standard

250-Sheet Output Bin, Integrated Duplex, 100-Sheet Multipurpose Feeder, 550-Sheet Input Tray

## Paper Handling Optional

550-Sheet Drawer, 2,000-Sheet High-Capacity Feeder, 550-Sheet Specialty Media Drawer

## Paper Input Capacity, Standard: Up to

650 pages 20 lb or 75 gsm bond

## Paper Input Capacity, Maximum: Up to

3200 pages 20 lb or 75 gsm bond

## Paper Output Capacity, Standard: Up to

250 pages 20 lb or 75 gsm bond

## Paper Output Capacity, Maximum: Up to

250 pages 20 lb or 75 gsm bond

## ADF Paper Input Capacity

Up to 50 pages 20 lb or 75 gsm bond

## Finishing Option

No

## Number of Paper Inputs, Standard

2

## Number of Paper Inputs, Maximum

5

## Media Types Supported

Card Stock, Envelopes, Glossy Paper, Paper Labels, Plain Paper, Transparencies, Vinyl Labels, Refer to the Card Stock & Label Guide

## Media Sizes Supported

10 Envelope, 7 3/4 Envelope, 9 Envelope, A4, A5, B5 Envelope, C5 Envelope, DL Envelope, B5, Executive, Folio, JIS-B5, Legal, Letter, Statement, Universal, Oficio

## Standard Ports

Ethernet 10/100BaseTX (RJ-45), USB 2.0 Specification Hi-Speed Certified (Type B), PictBridge Certified Port, Front USB 2.0 Specification Hi-Speed Certified Port (Type A), Rear USB 2.0 Specification Hi-Speed Certified Port (Type A)

## Optional Network Ports

Lexmark N4050e 802.11g Wireless Print Server (Print Only), External MarkNet™ N7020e Gigabit Ethernet, Internal MarkNet™ N8120 Gigabit Ethernet, Internal MarkNet™ N8130 Fiber Fast Ethernet, Internal MarkNet™ N8150 802.11b/g/n Wireless

## Network Printing Methods

LPR/LPD, Direct IP (Port 9100), HTTP, NDS Queue-based Printing, NDPS/NEPS (Novell Distributed Print Services), Novell Network Enterprise Print Services, Enhanced IP (Port 9400), FTP, TFTP, IPP 1.1 (Internet Printing Protocol),

ThinPrint .print integration

## Network Protocol Support

TCP/IP IPv4, IPX/SPX, AppleTalk™, LexLink (DLC), TCP/IP IPv6, TCP, UDP

## Network Security

SNMPv3, 802.1x Authentication: MD5, MSCHAPv2, LEAP, PEAP, TLS, TTLS, IPsec

## Printable Area

0.167 inches of the top, bottom, right and left edges (within)

## Printer Languages (Standard)

PCL 5c Emulation, PCL 6 Emulation, Personal Printer Data Stream (PPDS), PostScript 3 Emulation, xHTML, PDF 1.6, Direct Image, Microsoft XPS (XML Paper Specification)

## Reduce / Enlarge Range

25 - 400 %

## Scan Area, Maximum

8.5 x 14 inches

## Modem Speed

33.6 Kbps

## Supplies Yield

\*Average continuous black or continuous composite CMY declared cartridge yield up to this number of standard pages in accordance with ISO/IEC 19798., 6,000\*-page color Toner Cartridges (CMY), 8,000\*-page Black Toner Cartridge, 10,000\*-page color High Yield Toner Cartridges (CMY), 12,000\*-page Black High Yield Toner Cartridge

## Cartridge(s) Shipping with Product

6,000\*-page color (CMY) starter Return Program Toner Cartridges, 6,000\*-page Black starter Return Program Toner Cartridge

## Packaged Size (in. - H x W x D)

41.1 x 28.74 x 26.38 in.

## Size (in. - H x W x D)

31.0 x 21.5 x 24.5 in.

## Weight (lb.)

97.5 lb.

## Noise Level, Idle

35 dBA

## Print Noise Level, Operating

53 dBA

## Copy Noise Level, Operating

54 dBA

## Scan Noise Level, Operating

54 dBA

## Product Warranty

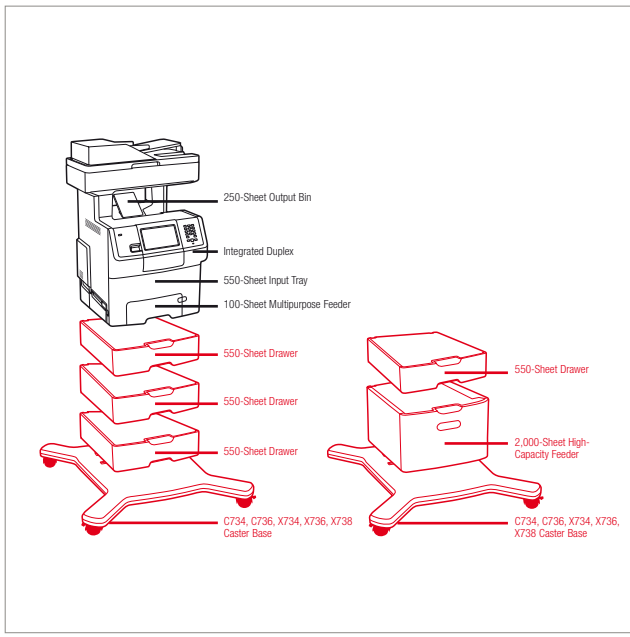
1-Year Onsite Service, Next Business Day

## Maximum Monthly Duty Cycle

Up to 85,000 pages per month

## Recommended Monthly Page Volume

3,000 - 10,000 pages



Paper Handling Standard  
 Paper Handling Optional

| Part #   | Model   |
|----------|---|
| MS00321  | Lexmark X738de  |
| Part #   | Laser Toner/Print Cartridge   |
| C736H1KG | C736, X736, X738 Black High Yield Return Program Toner Cartridge    |
| C734A1KG | C734, C736, X734, X736, X738 Black Return Program Toner Cartridge   |
| C736H1CG | C736, X736, X738 Cyan High Yield Return Program Toner Cartridge     |
| C734A1CG | C734, C736, X734, X736, X738 Cyan Return Program Toner Cartridge    |
| C736H1MG | C736, X736, X738 Magenta High Yield Return Program Toner Cartridge  |
| C734A1MG | C734, C736, X734, X736, X738 Magenta Return Program Toner Cartridge |
| C736H1YG | C736, X736, X738 Yellow High Yield Return Program Toner Cartridge   |
| C734A1YG | C734, C736, X734, X736, X738 Yellow Return Program Toner Cartridge  |
| C736H2KG | C736, X736, X738 Black High Yield Toner Cartridge                   |
| C734A2KG | C734, C736, X734, X736, X738 Black Toner Cartridge                  |
| C736H2CG | C736, X736, X738 Cyan High Yield Toner Cartridge                    |
| C734A2CG | C734, C736, X734, X736, X738 Cyan Toner Cartridge                   |
| C736H2MG | C736, X736, X738 Magenta High Yield Toner Cartridge                 |
| C734A2MG | C734, C736, X734, X736, X738 Magenta Toner Cartridge                |
| C736H2YG | C736, X736, X738 Yellow High Yield Toner Cartridge                  |
| C734A2YG | C734, C736, X734, X736, X738 Yellow Toner Cartridge                 |
| C734X77G | Waste Toner Box   |
| C734X20G | C734, C736, X734, X736, X738 Photoconductor Unit                    |
| C734X24G | C734, C736, X734, X736, X738 Photoconductor Unit, 4-Pack            |
| Part #   | Paper & Transparencies  |
| 12A5950  | Glossy Laser Paper, Letter (200 sheets)                             |
| 12A8240  | Professional Color Laser Transparencies, Letter                     |
| Part #   | Paper Handling  |
| 27S2100  | C734, C736, X734e, X736e, X738e 550-Sheet Drawer                    |
| 27S2400  | 2,000-Sheet High Capacity Feeder                                    |
| 27S2650  | C734, C736, X734e, X736e, X738e 550-Sheet Specialty Media Drawer    |
| 27S2190  | 4.8 inch (12.2 cm) Spacer   |
| Part #   | Furniture   |
| 16M1210  | C734, C736, X734, X736, X738 Caster Base                            |
| Part #   | Memory Options  |
| 1025041  | 256MB DDR2-DRAM   |
| 1025042  | 512MB DDR2-DRAM   |
| 1025043  | 1024MB DDR2-DRAM  |
| 14F0245  | 256MB Flash Card  |
| 14F0102  | 80+ GB Hard Disk  |
| 30G0828  | Japanese Font Card  |
| 30G0825  | Korean Font Card  |
| 30G0826  | Simplified Chinese Font Card  |
| 30G0827  | Traditional Chinese Font Card                                       |
| Part #   | Application Solutions   |
| 30G0829  | Lexmark PrintEncryption Card  |

| MS00497 | X734, X736, X738 Forms and Bar Code Card                      |
|---------|---|
| MS00498 | X734, X736, X738 Card for IPDS/SCS/TNe                        |
| Part #  | Connectivity  |
| 14F0037 | MarkNet N8120 Gigabit Ethernet Print Server                   |
| 14F0042 | MarkNet N8130 Fiber Ethernet 100BaseFX, 10BaseFL Print Server |
| 14F0040 | MarkNet N8150 802.11b/g/n Wireless Print Server               |
| 14T0145 | Lexmark N4050e 802.11g Wireless Print Server                  |
| 14T0220 | MarkNet™ N7020e Gigabit Ethernet Print Server                 |
| 1021294 | USB Cable (2-meter)   |
| 14F0000 | Parallel 1284-B Interface Card                                |
| 1021231 | Parallel Cable (10-foot)                                      |
| 14F0100 | RS-232C Serial Interface Card                                 |
| Part #  | Extended Warranties   |
| 2350852 | 2-Years Total Onsite Service, Next Business Day               |
| 2350853 | 3-Years Total Onsite Service, Next Business Day               |
| 2350854 | 4-Years Total Onsite Service, Next Business Day               |
| 2350855 | 5-Years Total Onsite Service, Next Business Day               |
| Part #  | User Replaceable Parts  |
| 40X5093 | C73x, X73x Fuser Maintenance 110-120V                         |
| 40X5096 | C73x, X73x Transfer Belt Maintenance                          |
| 40X5187 | ADF Separator Pad   |
| 40X5188 | ADF Pick Assembly   |
| 40X5189 | ADF Pick Pad  |
| 40X5188 | Pick Tire   |
| 40X5152 | Pick Tire, Special Media Drawer                               |
| Part #  | Installation Service  |
| 2350868 | X738 Install, De-Install Service                              |



# Lexmark X738dte

High-performance, solutions-ready color workgroup MFP with advanced security and functionality, includes a hard disk and extra input capacity

## Print Technology

Color Laser

## Function

Color Copying, Color Printing, Color Scanning, Color Network Scanning

## Print Speed (Letter, Black)

Up to 35 ppm

## Print Speed (Letter, Color)

Up to 35 ppm

## Print Speed (Letter, Black) Duplex

Up to 23 spm

## Time to First Page (Black)

As fast as <10 seconds

## Time to First Page (Color)

As fast as <10 seconds

## Copy Speed (Letter, Black)

Up to 35 cpm

## Copy Speed (Letter, Color)

Up to 35 cpm

## Time to First Copy (Black)

As fast as 14 seconds

## Print Resolution, Black

1200 x 1200 dpi, 4800 Color Quality (2400 x 600 dpi)

## Print Resolution, Color

1200 x 1200 dpi, 4800 Color Quality (2400 x 600 dpi)

## Scanning Resolution

600 X 600 dpi

## Processor

900 MHz

## Memory, Standard

512 MB

## Memory, Maximum

1536 MB

## Expandable Memory Options

Yes

## Apple Macintosh Operating Systems Supported

Mac OS X, Mac OS 9.2

## Citrix MetaFrame

Microsoft Windows 2000 Server running Terminal Services with Citrix Presentation Server 3.0, 4.0, Microsoft Windows Server 2003 running Terminal Services with Citrix Presentation Server 3.0, 4.0, 4.5, Microsoft Windows Server 2003 x64 running Terminal Services with Citrix Presentation Server 4.0 x64, 4.5 x64

## Linux Operating Systems Supported

Linpus Linux Desktop 9.2, 9.3, Red Hat Enterprise Linux WS 3.0, 4.0, 5.0, SUSE Linux Enterprise Server 8.0, 9.0, 10.0, SUSE Linux Enterprise Desktop 10, opensUSE 10.2, 10.3, 11.0, Linspire Linux 6.0, Debian GNU/Linux 4.0, Red Flag Linux Desktop 5.0, 6.0, Ubuntu 7.10, Ubuntu 8.04 LTS

## Microsoft Windows Operating Systems Supported

2000, XP, Server 2003, XP x64, Server 2003 running Terminal Services, 2000 Server running Terminal Services, Server 2003 x64, Server 2003 x64 running Terminal Services, Vista, Vista x64, Server 2008, Server 2008 x64, Server 2008 running Terminal Services, Server 2008 x64 running Terminal Services

## Novell Operating Systems Supported

Open Enterprise Server for Netware with NDS, iPrint or Novell Distributed Print Services (NDPS), NetWare 5.x, 6.x with iPrint or Novell Distributed Print Services (NDPS)

## UNIX Operating Systems Supported

Sun Solaris SPARC 8, 9, 10, Sun Solaris x86 10, HP-UX 11.11, 11.23, 11.31, IBM AIX 5.2, 5.3, 6.1

## Paper Handling Standard

250-Sheet Output Bin, Integrated Duplex, 100-Sheet Multipurpose Feeder, 550-Sheet Drawer, 550-Sheet Input Tray

## Paper Handling Optional

550-Sheet Drawer, 2,000-Sheet High-Capacity Feeder, 550-Sheet Specialty Media Drawer

## Paper Input Capacity, Standard: Up to

1200 pages 20 lb or 75 gsm bond

## Paper Input Capacity, Maximum: Up to

3200 pages 20 lb or 75 gsm bond

## Paper Output Capacity, Standard: Up to

250 pages 20 lb or 75 gsm bond

## Paper Output Capacity, Maximum: Up to

250 pages 20 lb or 75 gsm bond

## ADF Paper Input Capacity

Up to 50 pages 20 lb or 75 gsm bond

## Finishing Option

No

## Number of Paper Inputs, Standard

3

## Number of Paper Inputs, Maximum

5

## Media Types Supported

Card Stock, Envelopes, Glossy Paper, Paper Labels, Plain Paper, Transparencies, Vinyl Labels, Refer to the Card Stock & Label Guide

## Media Sizes Supported

10 Envelope, 7 3/4 Envelope, 9 Envelope, A4, A5, B5 Envelope, C5 Envelope, DL Envelope, B5, Executive, Folio, JIS-B5, Legal, Letter, Statement, Universal, Office

## Standard Ports

Ethernet 10/100BaseTX (RJ-45), USB 2.0 Specification Hi-Speed Certified (Type B), PicBridge Certified Port, Front USB 2.0 Specification Hi-Speed Certified Port (Type A), Rear USB 2.0 Specification Hi-Speed Certified Port (Type A)

## Optional Network Ports

Lexmark N4050e 802.11g Wireless Print Server (Print Only), External MarkNet™ N7020e Gigabit Ethernet, Internal MarkNet™ N8120 Gigabit Ethernet, Internal MarkNet™ N8130 Fiber Fast Ethernet, Internal MarkNet™ N8150 802.11b/g/n Wireless

## Network Printing Methods

LPR/LPD, Direct IP (Port 9100), HTTP, NDS Queue-based Printing, NDPS/NEPS (Novell Distributed Print Services, Novell Netware Enterprise Print Services), Enhanced IP

(Port 9400), FTP, TFTP, IPP 1.1 (Internet Printing Protocol), ThinPrint .print integration

## Network Protocol Support

TCP/IP IPv4, IPX/SPX, AppleTalk™, LexLink (DLC), TCP/IP IPv6, UDP

## Network Security

SNMPv3, 802.1x Authentication: MD5, MSCHAPv2, LEAP, PEAP, TLS, TTLS, IPsec

## Printable Area

0.167 inches of the top, bottom, right and left edges (within)

## Printer Languages (Standard)

PCL 5c Emulation, PCL 6 Emulation, Personal Printer Data Stream (PPDS), PostScript 3 Emulation, xHTML, PDF 1.6, Direct Image, Microsoft XPS (XML Paper Specification)

## Reduce / Enlarge Range

25 - 400 %

## Scan Area, Maximum

8.5 x 14 inches

## Modem Speed

33.6 Kbps

## Supplies Yield

\*Average continuous black or continuous composite CMY declared cartridge yield up to this number of standard pages in accordance with ISO/IEC 19798, 6,000\*-page color Toner Cartridges (CMY), 8,000\*-page Black Toner Cartridge, 10,000\*-page color High Yield Toner Cartridges (CMY), 12,000\*-page Black High Yield Toner Cartridge

**Cartridge(s) Shipping with Product**  
6,000\*-page color (CMY) starter Return Program Toner Cartridges, 6,000\*-page Black starter Return Program Toner Cartridge

## Packaged Size (in. - H x W x D)

48.54 x 28.74 x 26.38 in.

## Size (in. - H x W x D)

35.8 x 21.5 x 24.5 in.

## Weight (lb.)

106.5 lb.

## Noise Level, Idle

35 dBA

## Print Noise Level, Operating

53 dBA

## Copy Noise Level, Operating

54 dBA

## Scan Noise Level, Operating

54 dBA

## Product Warranty

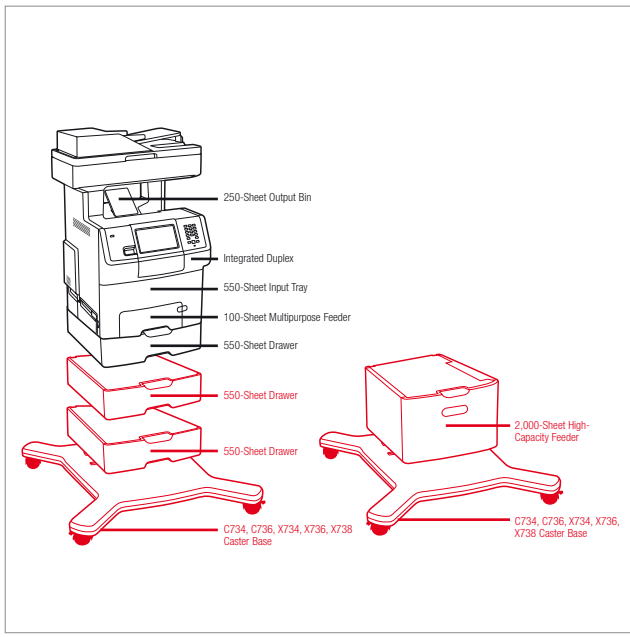
1-Year Onsite Service, Next Business Day

## Maximum Monthly Duty Cycle

Up to 85,000 pages per month

## Recommended Monthly Page Volume

3,000 - 10,000 pages



Paper Handling Standard  
 Paper Handling Optional

| Part #   | Model   |
|----------|---|
| MS00322  | Lexmark X738dte   |
| Part #   | Laser Toner/Print Cartridge   |
| C736H1KG | C736, X736, X738 Black High Yield Return Program Toner Cartridge    |
| C734A1KG | C734, C736, X734, X736, X738 Black Return Program Toner Cartridge   |
| C736H1CG | C736, X736, X738 Cyan High Yield Return Program Toner Cartridge     |
| C734A1CG | C734, C736, X734, X736, X738 Cyan Return Program Toner Cartridge    |
| C736H1MG | C736, X736, X738 Magenta High Yield Return Program Toner Cartridge  |
| C734A1MG | C734, C736, X734, X736, X738 Magenta Return Program Toner Cartridge |
| C736H1YG | C736, X736, X738 Yellow High Yield Return Program Toner Cartridge   |
| C734A1YG | C734, C736, X734, X736, X738 Yellow Return Program Toner Cartridge  |
| C736H2KG | C736, X736, X738 Black High Yield Toner Cartridge                   |
| C734A2KG | C734, C736, X734, X736, X738 Black Toner Cartridge                  |
| C736H2CG | C736, X736, X738 Cyan High Yield Toner Cartridge                    |
| C734A2CG | C734, C736, X734, X736, X738 Cyan Toner Cartridge                   |
| C736H2MG | C736, X736, X738 Magenta High Yield Toner Cartridge                 |
| C734A2MG | C734, C736, X734, X736, X738 Magenta Toner Cartridge                |
| C736H2YG | C736, X736, X738 Yellow High Yield Toner Cartridge                  |
| C734A2YG | C734, C736, X734, X736, X738 Yellow Toner Cartridge                 |
| C734X77G | Waste Toner Box   |
| C734X20G | C734, C736, X734, X736, X738 Photoconductor Unit                    |
| C734X24G | C734, C736, X734, X736, X738 Photoconductor Unit, 4-Pack            |
| Part #   | Paper & Transparencies  |
| 12A5950  | Glossy Laser Paper, Letter (200 sheets)                             |
| 12A8240  | Professional Color Laser Transparencies, Letter                     |
| Part #   | Paper Handling  |
| 27S2100  | C734, C736, X734e, X736e, X738e 550-Sheet Drawer                    |
| 27S2400  | 2,000-Sheet High Capacity Feeder                                    |
| 27S2650  | C734, C736, X734e, X736e, X738e 550-Sheet Specialty Media Drawer    |
| 27S2190  | 4.8 inch (12.2 cm) Spacer   |
| Part #   | Furniture   |
| 16M1210  | C734, C736, X734, X736, X738 Caster Base                            |
| Part #   | Memory Options  |
| 1025041  | 256MB DDR2-DRAM   |
| 1025042  | 512MB DDR2-DRAM   |
| 1025043  | 1024MB DDR2-DRAM  |
| 14F0245  | 256MB Flash Card  |
| 14F0102  | 80+ GB Hard Disk  |
| 30G0828  | Japanese Font Card  |
| 30G0825  | Korean Font Card  |
| 30G0826  | Simplified Chinese Font Card  |
| 30G0827  | Traditional Chinese Font Card                                       |
| Part #   | Application Solutions   |
| 30G0829  | Lexmark PrintEncryption Card  |

| MS00497 | X734, X736, X738 Forms and Bar Code Card                      |
|---------|---|
| MS00498 | X734, X736, X738 Card for IPDS/SCS/TNe                        |
| Part #  | Connectivity  |
| 14F0037 | MarkNet N8120 Gigabit Ethernet Print Server                   |
| 14F0042 | MarkNet N8130 Fiber Ethernet 100BaseFX, 10BaseFL Print Server |
| 14F0040 | MarkNet N8150 802.11b/g/n Wireless Print Server               |
| 14T0145 | Lexmark N4050e 802.11g Wireless Print Server                  |
| 14T0220 | MarkNet™ N7020e Gigabit Ethernet Print Server                 |
| 1021294 | USB Cable (2-meter)   |
| 14F0000 | Parallel 1284-B Interface Card                                |
| 1021231 | Parallel Cable (10-foot)                                      |
| 14F0100 | RS-232C Serial Interface Card                                 |
| Part #  | Extended Warranties   |
| 2350852 | 2-Years Total Onsite Service, Next Business Day               |
| 2350853 | 3-Years Total Onsite Service, Next Business Day               |
| 2350854 | 4-Years Total Onsite Service, Next Business Day               |
| 2350855 | 5-Years Total Onsite Service, Next Business Day               |
| Part #  | User Replaceable Parts  |
| 40X5093 | C73x, X73x Fuser Maintenance 110-120V                         |
| 40X5096 | C73x, X73x Transfer Belt Maintenance                          |
| 40X5187 | ADF Separator Pad   |
| 40X5188 | ADF Pick Assembly   |
| 40X5189 | ADF Pick Pad  |
| 40X5188 | Pick Tire   |
| 40X5152 | Pick Tire, Special Media Drawer                               |
| Part #  | Installation Service  |
| 2350868 | X738 Install, De-Install Service                              |



# Lexmark X782e XL

Color laser multifunction product that combines impressive ease of use with cost-efficient cartridge for high-volume users

## Print Technology

Color Laser

## Function

Color Copying, Color Printing, Color Scanning, Faxing, Color Network Scanning

## Print Speed (Letter, Black)

Up to 40 ppm

## Print Speed (Letter, Color)

Up to 35 ppm

## Print Speed (Letter, Black) Duplex

Up to 40 spm

## Time to First Page (Black)

As fast as 11 seconds

## Time to First Page (Color)

As fast as 13 seconds

## Copy Speed (Letter, Black)

Up to 40 cpm

## Copy Speed (Letter, Color)

Up to 35 cpm

## Time to First Copy (Black)

As fast as < 14 seconds

## Print Resolution, Black

1200 x 1200 dpi, 4800 Color Quality (2400 x 600 dpi)

## Print Resolution, Color

1200 x 1200 dpi, 4800 Color Quality (2400 x 600 dpi)

## Scanning Resolution

300 X 300 dpi (color), 600 X 600 dpi (black)

## Processor

800 MHz

## Memory, Standard

768 MB

## Memory, Maximum

768 MB

## Expandable Memory Options

No

## Apple Macintosh Operating Systems Supported

Mac OS X, Mac OS 9.2

## Citrix MetaFrame

Microsoft Windows 2000 Server running Terminal Services with Citrix MetaFrame XP Presentation Server or Citrix MetaFrame Presentation Server 3.0., Microsoft Windows Server 2003 running Terminal Services with Citrix MetaFrame XP Presentation Server or Citrix MetaFrame Presentation Server 3.0, Microsoft Windows 2000 Server running Terminal Services with Citrix Presentation Server 4.0, Microsoft Windows Server 2003 running Terminal Services with Citrix Presentation Server 4.0, Microsoft Windows Server 2003 running Terminal Services with Citrix Presentation Server 4.0, Microsoft Windows Server 2003 x64 running Terminal Services with Citrix Presentation Server 4.0

## Linux Operating Systems Supported

Red Flag Linux Desktop 4.0, 5.0, Linpus Linux Desktop 9.2, 9.3, Red Hat Enterprise Linux WS 3.0, 4.0, 5.0, SUSE Linux Enterprise Server 8.0, 9.0, 10.0, Debian GNU/Linux 3.1, 4.0, Inspire Linux 5.0, SUSE Linux 10.0, 10.1, 10.2

## Microsoft Windows Operating Systems Supported

2000, NT (4.00/4.00 Server), XP, Server 2003, XP x64, Server 2003 running Terminal Services, 2000 Server

running Terminal Services, Server 2003 x64, Server 2003 x64 running Terminal Services, Vista, Vista x64

## Novell Operating Systems Supported

Open Enterprise Server for Netware with NDS, iPrint or Novell Distributed Print Services (NDPS), NetWare® 3.2, 4.2 (bindery), NetWare 4.2, 5.x and 6.x (NDS), NetWare 5.x, 6.x with iPrint or Novell Distributed Print Services (NDPS)

## UNIX Operating Systems Supported

Sun Solaris SPARC 8, 9, 10, HP-UX 11.00, 11.1, IBM AIX 5.1, 5.2, 5.3, Sun Solaris x86 10

## Other Operating Systems Supported

IBM iSeries or IBM AS/400® Systems with TCP/IP with OS/400® V3R1 or later using OS/400 Host Print Transform, Virtually any platform supporting TCP/IP

## Paper Handling Standard

2 x 500-Sheet Drawer, 250-Sheet Output Bin, 500-Sheet Input Tray, Duplex Unit, 100-Sheet Multipurpose Feeder

## Paper Handling Optional

Banner Media Tray

## Paper Input Capacity, Standard: Up to

1600 pages 20 lb or 75 gsm bond

## Paper Input Capacity, Maximum: Up to

1600 pages 20 lb or 75 gsm bond

## Paper Output Capacity, Standard: Up to

250 pages 20 lb or 75 gsm bond

## Paper Output Capacity, Maximum: Up to

250 pages 20 lb or 75 gsm bond

## ADF Paper Input Capacity

Up to 50 pages 20 lb or 75 gsm bond

## Finishing Option

No

## Number of Paper Inputs, Standard

4

## Number of Paper inputs, Maximum

4

## Media Types Supported

Card Stock, Envelopes, Glossy Paper, Labels, Plain Paper, Transparencies, Refer to the Card Stock & Label Guide, Outdoor Media, Banner Paper

## Media Sizes Supported

10 Envelope, 7 3/4 Envelope, 9 Envelope, A4, A5, B5 Envelope, C5 Envelope, DL Envelope, Executive, Folio, JIS-B5, Legal, Letter, Statement, Universal, Banner

## Standard Ports

Ethernet 10/100BaseTX (RJ-45), USB Compatible with USB 2.0 Specification (Type B), USB Direct interface on Operator Panel

## Optional Network Ports

Lexmark N4050e 802.11g Wireless Print Server (Print Only), External MarkNet™ N7020e Gigabit Ethernet

## Network Printing Methods

LPR/LPD, Direct IP (Port 9100), Socket (Raw TCP/IP), IPP (Internet Printing Protocol), HTTP, NDS Queue-based

Printing, NDPS/NEPS (Novell Distributed Print Services, Novell Netware Enterprise Print Services), Enhanced IP (Port 9400)

## Network Protocol Support

TCP/IP IPv4, IPX/SPX, AppleTalk™, LexLink (DLC), TCP/IP IPv6

## Network Security

SSL\* Enabled Embedded Web Server (HTTPS), SNMPv3, TCP/IP port access control, 802.1x Authentication: MD5, MSCHAPv2, LEAP, PEAP, TLS, TTLS, IPSec, \*This product includes software developed by the OpenSSL Project for use in the OpenSSL Toolkit.

## Printable Area

0.167 inches of the top, bottom, right and left edges (within)

## Printer Languages (Standard)

PCL 5c Emulation, PCL 6 Emulation, Personal Printer Data Stream (PPDS), PostScript 3 Emulation, PDF 1.5, xHTML, Direct Image

## Resolution / Enlarge Range

25 - 400 %

## Scan Area, Maximum

8.5 x 14 inches

## Modem Speed

33.6 Kbps

## Supplies Yield

Ships with 10,000\*-page black and color High Yield Return Program Print Cartridges, \*Average continuous black or continuous composite. CMY declared cartridge yield up to this number of standard pages in accordance with ISO/IEC 19798., 16,500\*-page (CMYK) XL Extra High Yield Print Cartridges

## Cartridge(s) Shipping with Product

10,000\*-page (CMYK) starter High Yield Return Program Print Cartridges

## Size (in. - H x W x D)

55.5 x 26.75 x 23 in.

## Weight (lb.)

215 lb.

## Noise Level, Idle

31 dBA

## Print Noise Level, Operating

50 dBA

## Copy Noise Level, Operating

49 dBA

## Scan Noise Level, Operating

49 dBA

## Product Warranty

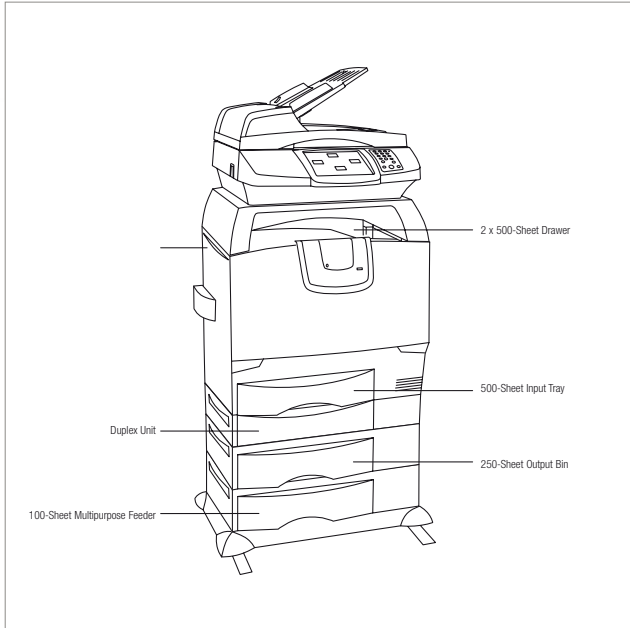
One Year Onsite Service, Next Business Day

## Maximum Monthly Duty Cycle

Up to 150,000 pages per month

## Recommended Monthly Page Volume

5,000 - 17,000 pages



Paper Handling Standard  
 Paper Handling Optional

| Part #  | Model            |
|---------|------------------|
| 21J0700 | Lexmark X782e XL |

| Part #   | Laser Toner/Print Cartridge  |
|----------|--|
| C782U1KG | C782 XL, X782e XL Black XL Extra High Yield Return Program Print Cartridge   |
| C782U1CG | C782 XL, X782e XL Cyan XL Extra High Yield Return Program Print Cartridge    |
| C782U1MG | C782 XL, X782e XL Magenta XL Extra High Yield Return Program Print Cartridge |
| C782U1YG | C782 XL, X782e XL Yellow XL Extra High Yield Return Program Print Cartridge  |
| C782U2KG | C782 XL, X782e XL Black XL Extra High Yield Print Cartridge                  |
| C782U2CG | C782 XL, X782e XL Cyan XL Extra High Yield Print Cartridge                   |
| C782U2MG | C782 XL, X782e XL Magenta XL Extra High Yield Print Cartridge                |
| C782U2YG | C782 XL, X782e XL Yellow XL Extra High Yield Print Cartridge                 |
| 10B3100  | Waste Toner Container  |

| Part #  | Paper & Transparencies                          |
|---------|---|
| 12A5950 | Glossy Laser Paper, Letter (200 sheets)         |
| 12A8240 | Professional Color Laser Transparencies, Letter |
| 12A8940 | Banner Laser Paper                              |
| 12A8600 | Outdoor Media, Letter                           |

| Part #  | Paper Handling               |
|---------|------------------------------|
| 20B2373 | C77x, C78x 500-Sheet Tray    |
| 20B5000 | C772, C782 Banner Media Tray |

| Part #  | Memory Options                |
|---------|-------------------------------|
| 1021208 | 32MB Flash Card               |
| 1021209 | 64MB Flash Card               |
| 1021243 | Japanese Font Card            |
| 1021240 | Korean Font Card              |
| 1021241 | Simplified Chinese Font Card  |
| 1021242 | Traditional Chinese Font Card |

| Part #  | Application Solutions           |
|---------|---------------------------------|
| 21J0577 | X782e Bar Code Card             |
| 21J0579 | X782e Card for IPDS and SCS/TNe |
| 21J0578 | X782e Forms Card                |

| Part #  | Connectivity                                  |
|---------|---|
| 1021294 | USB Cable (2-meter)                           |
| 14T0145 | Lexmark N4050e 802.11g Wireless Print Server  |
| 14T0220 | MarkNet™ N7020e Gigabit Ethernet Print Server |

| Part #  | Extended Warranties                             |
|---------|---|
| 2349416 | 2-Years Total Onsite Service, Next Business Day |
| 2349417 | 3-Years Total Onsite Service, Next Business Day |
| 2349418 | 4-Years Total Onsite Service, Next Business Day |

|         |  |
|---------|--|
| 2349420 | 1-Year Onsite Service Renewal, Next Business Day |
|---------|--|

| Part #  | User Replaceable Parts                         |
|---------|--|
| 40X2540 | 4600 MFP Option Pick Roller                    |
| 40X2538 | 4600 MFP Option Separator (Pick) Roll Pad      |
| 40X1831 | C780, C782 Fuser Maintenance Kit 110-120V      |
| 40X0343 | C780, C782 Image Transfer Unit Maintenance Kit |



A3

# Lexmark X940e

Network-ready color laser multifunction product for departmental A3/11" x 17" printing

### Print Technology

Color Laser

### Function

Color Copying, Color Printing, Faxing, Color Network Scanning

### Print Speed (Letter, Black)

Up to 40 ppm

### Print Speed (Letter, Color)

Up to 30 ppm

### Print Speed (Letter, Black) Duplex

Up to 37 spm

### Time to First Page (Black)

As fast as 5 seconds

### Time to First Page (Color)

As fast as 10 seconds

### Copy Speed (Letter, Black)

Up to 40 cpm

### Copy Speed (Letter, Color)

Up to 30 cpm

### Time to First Copy (Black)

As fast as 6.7 seconds

### Print Resolution, Black

2400 Image Quality

### Print Resolution, Color

2400 Image Quality

### Scanning Resolution

600 X 300 dpi (color), 600 X 600 dpi (black)

### Memory, Standard

512 MB

### Memory, Maximum

1,024 MB

### Expandable Memory Options

Yes

### Apple Macintosh Operating Systems Supported

Mac OS X, Mac OS 9.2, Mac OS X (10.4 Intel), Mac OS X (10.4 Power PC)

### Citrix MetaFrame

Microsoft Windows 2000 Server running Terminal Services with Citrix MetaFrame XP Presentation Server or Citrix MetaFrame Presentation Server 3.0., Microsoft Windows Server 2003 running Terminal Services with Citrix MetaFrame XP Presentation Server or Citrix MetaFrame Presentation Server 3.0, Microsoft Windows 2000 Server running Terminal Services with Citrix Presentation Server 4.0, Microsoft Windows Server 2003 running Terminal Services with Citrix Presentation Server 4.0, Microsoft Windows Server 2003 running Terminal Services with Citrix Presentation Server 4.0, Microsoft Windows Server 2003 x64 running Terminal Services with Citrix Presentation Server 4.0

### Linux Operating Systems Supported

Red Flag Linux Desktop 4.0, 5.0, Linpus Linux Desktop 9.2, 9.3, Red Hat Enterprise Linux WS 3.0, 4.0, 5.0, SUSE Linux Enterprise Server 8.0, 9.0, 10.0, SUSE Linux Professional 9.1, 9.2, 9.3, Debian GNU/Linux 3.1, 4.0, Linspire Linux 5.0, SUSE Linux 10.0, 10.1, 10.2

### Microsoft Windows Operating Systems Supported

2000, NT (4.00/4.00 Server), XP, Server 2003, XP x64, Server 2003 running Terminal Services, 2000 Server running Terminal Services, Server 2003 x64, Server 2003

x64 running Terminal Services, Vista, Vista x64

### Novell Operating Systems Supported

Open Enterprise Server for Netware with NDS, iPrint or Novell Distributed Print Services (NDPS), NetWare® 3.2, 4.2 (bindery), NetWare 4.2, 5.x and 6.x (NDS), NetWare 5.x, 6.x with iPrint or Novell Distributed Print Services (NDPS)

### UNIX Operating Systems Supported

Sun Solaris SPARC 8, 9, 10, HP-UX 11.00, 11.1, IBM AIX 5.1, 5.2, 5.3, Sun Solaris x86 10

### Other Operating Systems Supported

IBM iSeries or IBM AS/400® Systems with TCP/IP with OS/400® V3R1 or later using OS/400 Host Print Transform, Virtually any platform supporting TCP/IP

### Paper Handling Standard

Integrated Duplex, 100-Sheet Multipurpose Feeder, 520-Sheet Input Tray, 520-Sheet Drawer Stand with Cabinet

### Paper Handling Optional

3,500-Sheet Finisher, Booklet Finisher

### Paper Input Capacity, Standard: Up to

1140 pages 20 lb or 75 gsm bond

### Paper Input Capacity, Maximum: Up to

1140 pages 20 lb or 75 gsm bond

### Paper Output Capacity, Standard: Up to

400 pages 20 lb or 75 gsm bond

### Paper Output Capacity, Maximum: Up to

3500 pages 20 lb or 75 gsm bond

### ADF Paper Input Capacity

Up to 75 pages 20 lb or 75 gsm bond

### Finishing Option

Yes

### Number of Paper Inputs, Standard

3

### Number of Paper Inputs, Maximum

3

### Media Types Supported

Card Stock, Envelopes, Glossy Paper, Paper Labels, Plain Paper, Transparencies, Refer to the Card Stock & Label Guide

### Media Sizes Supported

10 Envelope, A3, A4, A5, C5 Envelope, DL Envelope, Executive, Folio, JIS-B4, JIS-B5, Ledger, Legal, Letter, Statement, Universal

### Standard Ports

One Internal Card Slot, USB Direct interface on Operator Panel, Gigabit Ethernet (10/100/1000), USB Port (Type A) compatible with USB 2.0 Specification, Hi-Speed USB

### Optional Network Ports

Lexmark N4050e 802.11g Wireless Print Server (Print Only), Internal MarNet™ N8050 802.11g Wireless, Internal MarNet™ N8030 Fiber Fast Ethernet

### Network Printing Methods

LPR/LPD, Direct IP (Port 9100), Socket (Raw TCP/IP), IPP (Internet Printing Protocol), HTTP, NDS Queue-based

Printing, NDPS/NEPS (Novell Distributed Print Services, Novell Netware Enterprise Print Services), Enhanced IP (Port 9400), FTP, TFTP, IPP 1.1 (Internet Printing Protocol)

### Network Protocol Support

TCP/IP IPv4, IPX/SPX, AppleTalk™, LexLink (DLC), TCP/IP IPv6

### Network Security

SSL\* Enabled Embedded Web Server (HTTPS), SNMPv3, TCP/IP port access control, Authenticated and encrypted MarkVision Professional communication, 802.1x Authentication: MD5, MSCHAPv2, LEAP, PEAP, TLS, TTLS, IPsec, \*This product includes software developed by the OpenSSL Project for use in the OpenSSL Toolkit.

### Printable Area

0.158 inches of the top, bottom, right and left edges (within)

### Printer Languages (Standard)

PCL 5c Emulation, PCL 6 Emulation, Personal Printer Data Stream (PPDS), PostScript 3 Emulation, xHTML, PDF 1.6, Direct Image

### Reduce / Enlarge Range

25 - 400 %

### Scan Area, Maximum

11.7 x 17.0 inches

### Modem Speed

33.6 Kbps

### Supplies Yield

\*Average continuous black or continuous composite CMY declared cartridge yield up to this number of standard pages in accordance with ISO/IEC 19798. Ships with 13,000\*-page black and 12,000\* page color Toner Cartridges, 22,000\*-page color (CMY) Toner Cartridges, 36,000\*-page Black Toner Cartridge

### Packaged Size (in. - H x W x D)

58.3 x 26.1 x 36.4 in.

### Size (in. - H x W x D)

45.4 x 26 x 31.9 in.

### Weight (lb.)

383 lb.

### Noise Level, Idle

34 dBA

### Print Noise Level, Operating

52 dBA

### Copy Noise Level, Operating

53 dBA

### Scan Noise Level, Operating

54 dBA

### Product Warranty

One Year Onsite Repair, Next Business Day

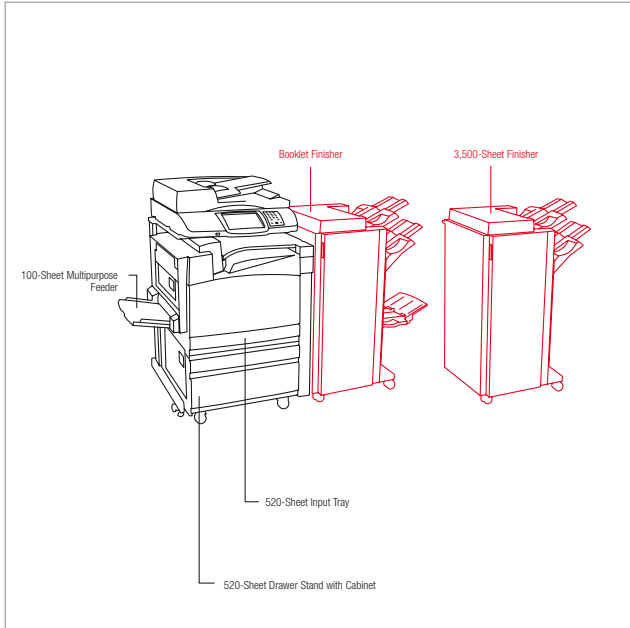
### Maximum Monthly Duty Cycle

Up to 150,000 pages per month

### Recommended Monthly Page Volume

5,000 - 25,000 pages





Paper Handling Standard  
 Paper Handling Optional

| Part #  | Model         |
|---------|---------------|
| 21Z0200 | Lexmark X940e |

| Part #   | Laser Toner/Print Cartridge                         |
|----------|---|
| X945X2KG | X940e, X945e Black High Yield Toner Cartridge       |
| X945X2CG | X940e, X945e Cyan High Yield Toner Cartridge        |
| X945X2MG | X940e, X945e Magenta High Yield Toner Cartridge     |
| X945X2YG | X940e, X945e Yellow High Yield Toner Cartridge      |
| C930X73G | C935, X940e, X945e CMY Photoconductor Unit 3-Pack   |
| C930X72G | C935, X940e, X945e Black Photoconductor Unit 1-Pack |
| C930X76G | C935, X940e, X945e Waste Toner Bottle               |
| 25A0013  | Staple Cartridges (3 pack)                          |
| 21Z0357  | Booklet Saddle Staple Cartridges (4 pack)           |

| Part #  | Paper & Transparencies                          |
|---------|---|
| 12A5950 | Glossy Laser Paper, Letter (200 sheets)         |
| 12A8240 | Professional Color Laser Transparencies, Letter |

| Part #  | Paper Handling                                  |
|---------|---|
| 21Z0308 | C935, X940e, X945e 3500-Sheet Finisher (3-Hole) |
| 21Z0309 | C935, X940e, X945e Booklet Finisher (3-Hole)    |

| Part #  | Memory Options                |
|---------|-------------------------------|
| 13N1523 | 128MB DDR-DRAM                |
| 13N1524 | 256MB DDR-DRAM                |
| 13N1526 | 512MB DDR-DRAM                |
| 1021208 | 32MB Flash Card               |
| 1021209 | 64MB Flash Card               |
| 1021243 | Japanese Font Card            |
| 1021240 | Korean Font Card              |
| 1021241 | Simplified Chinese Font Card  |
| 1021242 | Traditional Chinese Font Card |

| Part #  | Application Solutions                                     |
|---------|---|
| 21Z0368 | X940e, X945e Card for IPDS and SCS/TNe                    |
| 21Z0370 | Lexmark PrintEncryption Card for the Lexmark X940e, X945e |
| 21Z0367 | X940e, X945e Bar Code and Forms Card                      |

| Part #  | Connectivity                                      |
|---------|---|
| 1021231 | Parallel Cable (10-foot)                          |
| 1021294 | USB Cable (2-meter)                               |
| 1021092 | RS-232C Serial Interface Card                     |
| 1021091 | Parallel 1284-B Interface Card                    |
| 14T0145 | Lexmark N4050e 802.11g Wireless Print Server      |
| 14S0165 | MarkNet™ N8050 802.11g Wireless Print Server      |
| 14S0220 | MarkNet™ N8030 Fiber Ethernet 100BaseFX, 10BaseFL |
| 14T0220 | MarkNet™ N7020e Gigabit Ethernet Print Server     |

| Part #  | Extended Warranties                             |
|---------|---|
| 2349452 | 2-Years Total Onsite Service, Next Business Day |

|         |  |
|---------|--|
| 2349453 | 3-Years Total Onsite Service, Next Business Day  |
| 2349454 | 4-Years Total Onsite Service, Next Business Day  |
| 2349456 | 1-Year Onsite Service Renewal, Next Business Day |

| Part #  | Service Parts                                      |
|---------|--|
| 40X4031 | C935, X940e, X945e Maintenance Kit, 100K, 110-120V |
| 40X4032 | C935, X940e, X945e Maintenance Kit, 600K           |
| 40X4033 | X940e, X945e ADF Maintenance Kit                   |



A3

# Lexmark X945e

Network-ready color laser multifunction product with high-capacity feeder for departmental A3/11" x 17" printing

### Print Technology

Color Laser

### Function

Color Copying, Color Printing, Faxing, Color Network Scanning

### Print Speed (Letter, Black)

Up to 45 ppm

### Print Speed (Letter, Color)

Up to 40 ppm

### Print Speed (Letter, Black) Duplex

Up to 37 spm

### Time to First Page (Black)

As fast as 5.2 seconds

### Time to First Page (Color)

As fast as 10 seconds

### Copy Speed (Letter, Black)

Up to 45 cpm

### Copy Speed (Letter, Color)

Up to 40 cpm

### Time to First Copy (Black)

As fast as 6.7 seconds

### Print Resolution, Black

2400 Image Quality

### Print Resolution, Color

2400 Image Quality

### Scanning Resolution

600 X 300 dpi (color), 600 X 600 dpi (black)

### Memory, Standard

512 MB

### Memory, Maximum

1,024 MB

### Expandable Memory Options

Yes

### Apple Macintosh Operating Systems Supported

Mac OS X, Mac OS 9.2, Mac OS X (10.4 Intel), Mac OS X (10.4 Power PC)

### Citrix MetaFrame

Microsoft Windows 2000 Server running Terminal Services with Citrix MetaFrame XP Presentation Server or Citrix MetaFrame Presentation Server 3.0., Microsoft Windows Server 2003 running Terminal Services with Citrix MetaFrame XP Presentation Server or Citrix MetaFrame Presentation Server 3.0, Microsoft Windows 2000 Server running Terminal Services with Citrix Presentation Server 4.0, Microsoft Windows Server 2003 running Terminal Services with Citrix Presentation Server 4.0, Microsoft Windows Server 2003 running Terminal Services with Citrix Presentation Server 4.0, Microsoft Windows Server 2003 x64 running Terminal Services with Citrix Presentation Server 4.0

### Linux Operating Systems Supported

Red Flag Linux Desktop 4.0, 5.0, Linpus Linux Desktop 9.2, 9.3, Red Hat Enterprise Linux WS 3.0, 4.0, 5.0, SUSE Linux Enterprise Server 8.0, 9.0, 10.0, SUSE Linux Professional 9.1, 9.2, 9.3, Debian GNU/Linux 3.1, 4.0, Linspire Linux 5.0, SUSE Linux 10.0, 10.1, 10.2

### Microsoft Windows Operating Systems Supported

2000, NT (4.00/4.00 Server), XP, Server 2003, XP x64, Server 2003 running Terminal Services, 2000 Server running Terminal Services, Server 2003 x64, Server 2003

x64 running Terminal Services, Vista, Vista x64

### Novell Operating Systems Supported

Open Enterprise Server for Netware with NDS, iPrint or Novell Distributed Print Services (NDPS), NetWare® 3.2, 4.2 (bindery), NetWare 4.2, 5.x and 6.x (NDS), NetWare 5.x, 6.x with iPrint or Novell Distributed Print Services (NDPS)

### UNIX Operating Systems Supported

Sun Solaris SPARC 8, 9, 10, HP-UX 11.00, 11.1, IBM AIX 5.1, 5.2, 5.3, Sun Solaris x86 10

### Other Operating Systems Supported

IBM iSeries or IBM AS/400® Systems with TCP/IP with OS/400® V3R1 or later using OS/400 Host Print Transform, Virtually any platform supporting TCP/IP

### Paper Handling Standard

Integrated Duplex, 100-Sheet Multipurpose Feeder, 520-Sheet Input Tray, 2520-Sheet High Capacity Feeder Stand

### Paper Handling Optional

3,500-Sheet Finisher, Booklet Finisher

### Paper Input Capacity, Standard: Up to

3140 pages 20 lb or 75 gsm bond

### Paper Input Capacity, Maximum: Up to

3140 pages 20 lb or 75 gsm bond

### Paper Output Capacity, Standard: Up to

400 pages 20 lb or 75 gsm bond

### Paper Output Capacity, Maximum: Up to

3500 pages 20 lb or 75 gsm bond

### ADF Paper Input Capacity

Up to 75 pages 20 lb or 75 gsm bond

### Finishing Option

Yes

### Number of Paper Inputs, Standard

5

### Number of Paper Inputs, Maximum

5

### Media Types Supported

Card Stock, Envelopes, Glossy Paper, Paper Labels, Plain Paper, Transparencies, Refer to the Card Stock & Label Guide

### Media Sizes Supported

10 Envelope, A3, A4, A5, C5 Envelope, DL Envelope, Executive, Folio, JIS-B4, JIS-B5, Ledger, Legal, Letter, Statement, Universal

### Standard Ports

One Internal Card Slot, USB Direct interface on Operator Panel, Gigabit Ethernet (10/100/1000), USB Port (Type A) compatible with USB 2.0 Specification, Hi-Speed USB

### Optional Network Ports

Lexmark N4050e 802.11g Wireless Print Server (Print Only), Internal MarNet™ N8050 802.11g Wireless, Internal MarNet™ N8030 Fiber Fast Ethernet

### Network Printing Methods

LPR/LPD, Direct IP (Port 9100), Socket (Raw TCP/IP), IPP (Internet Printing Protocol), HTTP, NDS Queue-based

Printing, NDPS/NEPS (Novell Distributed Print Services, Novell Netware Enterprise Print Services), Enhanced IP (Port 9400), FTP, TFTP, IPP 1.1 (Internet Printing Protocol)

### Network Protocol Support

TCP/IP IPv4, IPX/SPX, AppleTalk™, LexLink (DLC), TCP/IP IPv6

### Network Security

SSL\* Enabled Embedded Web Server (HTTPS), SNMPv3, TCP/IP port access control, Authenticated and encrypted MarkVision Professional communication, 802.1x Authentication: MD5, MSCHAPv2, LEAP, PEAP, TLS, TTLS, IPsec, \*This product includes software developed by the OpenSSL Project for use in the OpenSSL Toolkit.

### Printable Area

0.158 inches of the top, bottom, right and left edges (within)

### Printer Languages (Standard)

PCL 5c Emulation, PCL 6 Emulation, Personal Printer Data Stream (PPDS), PostScript 3 Emulation, xHTML, PDF 1.6, Direct Image

### Reduce / Enlarge Range

25 - 400 %

### Scan Area, Maximum

11.7 x 17.0 inches

### Modem Speed

33.6 Kbps

### Supplies Yield

\*Average continuous black or continuous composite CMY declared cartridge yield up to this number of standard pages in accordance with ISO/IEC 19798. Ships with 13,000\*-page black and 12,000\* page color Toner Cartridges, 22,000\*-page color (CMY) Toner Cartridges, 36,000\*-page Black Toner Cartridge

### Packaged Size (in. - H x W x D)

58.3 x 26.1 x 36.4 in.

### Size (in. - H x W x D)

45.4 x 26 x 31.9 in.

### Weight (lb.)

383 lb.

### Noise Level, Idle

34 dBA

### Print Noise Level, Operating

52 dBA

### Copy Noise Level, Operating

53 dBA

### Scan Noise Level, Operating

54 dBA

### Product Warranty

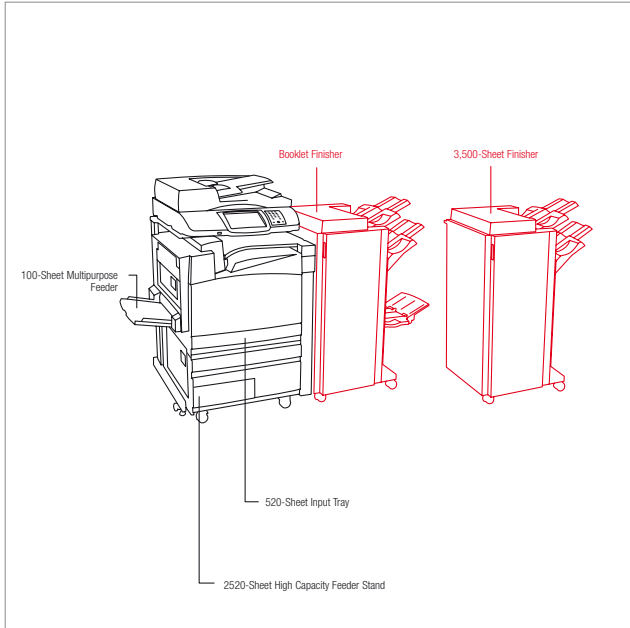
One Year Onsite Repair, Next Business Day

### Maximum Monthly Duty Cycle

Up to 200,000 pages per month

### Recommended Monthly Page Volume

5,000 - 33,000 pages



Paper Handling Standard  
 Paper Handling Optional

| Part #  | Model         |
|---------|---------------|
| 21Z0221 | Lexmark X945e |

| Part #   | Laser Toner/Print Cartridge                         |
|----------|---|
| X945X2KG | X940e, X945e Black High Yield Toner Cartridge       |
| X945X2CG | X940e, X945e Cyan High Yield Toner Cartridge        |
| X945X2MG | X940e, X945e Magenta High Yield Toner Cartridge     |
| X945X2YG | X940e, X945e Yellow High Yield Toner Cartridge      |
| C930X73G | C935, X940e, X945e CMY Photoconductor Unit 3-Pack   |
| C930X72G | C935, X940e, X945e Black Photoconductor Unit 1-Pack |
| C930X76G | C935, X940e, X945e Waste Toner Bottle               |
| 25A0013  | Staple Cartridges (3 pack)                          |
| 21Z0357  | Booklet Saddle Staple Cartridges (4 pack)           |

| Part #  | Paper & Transparencies                          |
|---------|---|
| 12A5950 | Glossy Laser Paper, Letter (200 sheets)         |
| 12A8240 | Professional Color Laser Transparencies, Letter |

| Part #  | Paper Handling                                  |
|---------|---|
| 21Z0308 | C935, X940e, X945e 3500-Sheet Finisher (3-Hole) |
| 21Z0309 | C935, X940e, X945e Booklet Finisher (3-Hole)    |

| Part #  | Memory Options                |
|---------|-------------------------------|
| 13N1523 | 128MB DDR-DRAM                |
| 13N1524 | 256MB DDR-DRAM                |
| 13N1526 | 512MB DDR-DRAM                |
| 1021208 | 32MB Flash Card               |
| 1021209 | 64MB Flash Card               |
| 1021243 | Japanese Font Card            |
| 1021240 | Korean Font Card              |
| 1021241 | Simplified Chinese Font Card  |
| 1021242 | Traditional Chinese Font Card |

| Part #  | Application Solutions                                     |
|---------|---|
| 21Z0368 | X940e, X945e Card for IPDS and SCS/TNe                    |
| 21Z0370 | Lexmark PrintEncryption Card for the Lexmark X940e, X945e |
| 21Z0367 | X940e, X945e Bar Code and Forms Card                      |

| Part #  | Connectivity                                      |
|---------|---|
| 1021231 | Parallel Cable (10-foot)                          |
| 1021294 | USB Cable (2-meter)                               |
| 1021092 | RS-232C Serial Interface Card                     |
| 1021091 | Parallel 1284-B Interface Card                    |
| 14T0145 | Lexmark N4050e 802.11g Wireless Print Server      |
| 14S0165 | MarkNet™ N8050 802.11g Wireless Print Server      |
| 14S0220 | MarkNet™ N8030 Fiber Ethernet 100BaseFX, 10BaseFL |
| 14T0220 | MarkNet™ N7020e Gigabit Ethernet Print Server     |

| Part #  | Extended Warranties                             |
|---------|---|
| 2349452 | 2-Years Total Onsite Service, Next Business Day |

|         |  |
|---------|--|
| 2349453 | 3-Years Total Onsite Service, Next Business Day  |
| 2349454 | 4-Years Total Onsite Service, Next Business Day  |
| 2349456 | 1-Year Onsite Service Renewal, Next Business Day |

| Part #  | Service Parts                                      |
|---------|--|
| 40X4031 | C935, X940e, X945e Maintenance Kit, 110K, 110-120V |
| 40X4032 | C935, X940e, X945e Maintenance Kit, 600K           |
| 40X4033 | X940e, X945e ADF Maintenance Kit                   |



# Lexmark 4600 MFP Option

Upgrade your Lexmark T642n or T644n printer to incorporate copy, fax, scan to e-mail and e-routing capabilities

---

**Simplex Scan Speed (A4/Ltr, Black)**

Up to 33 / 35 sides per minute

**Simplex Scan Speed (A4/Ltr, Color)**

Up to 17 / 18 sides per minute

**Scanning Resolution**

300 X 300 dpi (color), 600 X 600 dpi (black)

---

**ADF Paper Input Capacity**

Up to 50 pages 20 lb or 75 gsm bond

**Scan Noise Level, Operating**

52.5 dBA

---

**Reduce / Enlarge Range**

25 - 400 %

**Scan Area, Maximum**

216 x 355 mm

**Scan Area, Maximum**

8.5 x 14 inches

**Modem Speed**

33.6 Kbps

---

**Packaged Size (mm - H x W x D)**

419 x 635 x 610 mm

**Packaged Size (in. - H x W x D)**

16.5 x 25 x 24 in.

**Size (mm - H x W x D)**

370 x 525 x 515 mm

**Size (in. - H x W x D)**

14.57 x 20.67 x 20.28 in.

**Weight (kg)**

14.51 kg

**Weight (lb.)**

32 lb.

**Product Warranty**

One Year Exchange, Next Business Day



| <b>Part #</b> | <b>Model</b>                                 |
|---------------|--|
| 21J0100       | Lexmark 4600 MFP Option T642n, T644n         |
| <b>Part #</b> | <b>Furniture</b>                             |
| 21J0050       | T642, T644 Scanner Shelf for 4600 MFP Option |
| 16C0700       | Scanner Stand with Cabinet                   |
| <b>Part #</b> | <b>Connectivity</b>                          |
| 21J0069       | 6 Meter (20 ft) Scanner Cable                |
| <b>Part #</b> | <b>Extended Warranties</b>                   |
| 2348335       | 1 Year Exchange, Next Business Day           |
| 2348336       | 2 Year Exchange, Next Business Day           |
| 2348346       | 1-Year Renewal Onsite Exchange               |
| 2348344       | 1 Year Renewal Exchange Extended Warranty    |
| <b>Part #</b> | <b>User Replaceable Parts</b>                |
| 40X2538       | 4600 MFP Option Separator (Pick) Roll Pad    |
| 40X2540       | 4600 MFP Option Pick Roller                  |
| <b>Part #</b> | <b>MONOCHROME LASER</b>                      |
| 20G0250       | Lexmark T642n                                |
| 20G0430       | Lexmark T642tn                               |
| 20G0530       | Lexmark T642dtn                              |
| 20G0350       | Lexmark T644n                                |
| 20G0460       | Lexmark T644tn                               |
| 20G0560       | Lexmark T644dtn                              |



# Lexmark 4600 MFP Option C782,

Upgrade your Lexmark C782 or C782 XL printer to incorporate copy, fax, scan to e-mail and e-routing capabilities

---

**Simplex Scan Speed (A4/Ltr, Black)**

Up to 33 / 35 sides per minute

**Simplex Scan Speed (A4/Ltr, Color)**

Up to 17 / 18 sides per minute

**Scanning Resolution**

300 X 300 dpi (color), 600 X 600 dpi (black)

---

**ADF Paper Input Capacity**

Up to 50 pages 20 lb or 75 gsm bond

**Scan Noise Level, Operating**

52.5 dBA

---

**Reduce / Enlarge Range**

25 - 400 %

**Scan Area, Maximum**

216 x 355 mm

**Scan Area, Maximum**

8.5 x 14 inches

**Modem Speed**

33.6 Kbps

---

**Packaged Size (mm - H x W x D)**

419 x 635 x 610 mm

**Packaged Size (in. - H x W x D)**

16.5 x 25 x 24 in.

**Size (mm - H x W x D)**

370 x 525 x 515 mm

**Size (in. - H x W x D)**

14.57 x 20.67 x 20.28 in.

**Weight (kg)**

14.51 kg

**Weight (lb.)**

32 lb.

**Product Warranty**

One Year Exchange, Next Business Day



| <b>Part #</b> | <b>Model</b>                              |
|---------------|---|
| 21J0401       | Lexmark 4600 MFP Option C782, C782 XL     |
| <b>Part #</b> | <b>Furniture</b>                          |
| 21J0055       | C772, C782 Scanner Shelf                  |
| 16C0700       | Scanner Stand with Cabinet                |
| <b>Part #</b> | <b>Connectivity</b>                       |
| 21J0069       | 6 Meter (20 ft) Scanner Cable             |
| <b>Part #</b> | <b>Extended Warranties</b>                |
| 2348335       | 1 Year Exchange, Next Business Day        |
| 2348336       | 2 Year Exchange, Next Business Day        |
| 2348346       | 1-Year Renewal Onsite Exchange            |
| 2348344       | 1 Year Renewal Exchange Extended Warranty |
| <b>Part #</b> | <b>User Replaceable Parts</b>             |
| 40X2538       | 4600 MFP Option Separator (Pick) Roll Pad |
| 40X2540       | 4600 MFP Option Pick Roller               |
| <b>Part #</b> | <b>Color Laser</b>                        |
| 1020100       | Lexmark C782n                             |
| 1020101       | Lexmark C782dn                            |
| 1020102       | Lexmark C782dtn                           |
| 1020320       | Lexmark C782n XL                          |
| 1020351       | Lexmark C782dn XL                         |
| 1020374       | Lexmark C782dtn XL                        |

# Lexmark Forms Printer 2580



Fast, reliable 9-pin printing for narrow forms

## Print Technology

9-Pin Dot Matrix

## Print Speeds

Up to 304 cps Draft @12 cpi, Up to 510 cps Fast Draft @ 12cpi, Up to 76 cps Near Letter Quality @ 12 cpi

## Resolution

240 x 144 dots per inch

## Memory

512 KB

## Mean Time Between Failures (MTBF)

12,500 POH @ 25% duty cycle

## Linux Operating Systems Supported

Red Hat Enterprise Linux WS 3.0, 4.0, 5.0, SUSE Linux Enterprise Server 8.0, 9.0, 10.0, Debian GNU/Linux 3.1, 4.0, Linspire Linux 5.0, SUSE Linux 10.0, 10.1, 10.2

## Microsoft Windows Operating Systems Supported

2000, NT (4.00/4.00 Server), Me, XP, Server 2003, 98 2nd Edition, XP x64, Server 2003 x64, Vista, Vista x64

US Postal (POSTNET 5-digit ZIP Code)

## Packaged Size (in. - H x W x D)

12.8 x 24.0 x 16.1 in.

## Size (in. - H x W x D)

7.7 x 19.4 x 11.4 in.

## Weight (lb.)

17.6 lb.

## Noise Level, Idle

0 dBA

## Print Noise Level, Operating

56 dBA

## Maximum Print Line (")

8.0 inches

## Product Warranty

2 Year Exchange, Next Business Day

## Paper Handling Optional

Automatic Sheet Feeder (narrow), Tractor 2 (narrow)

## Paper Handling Standard

Front Tractor Feeder

## Media Sizes Supported

Single-part or multi-part Continuous Forms, Narrow Sheet Fed Paper, Single-part or multi-part Cut Forms

## Media Types Supported

Multi-part forms - Up to 1+5 Parts (up to 0.020" or 0.51 mm paper thickness), Single-part forms - 16 to 24 lbs, 60 to 90 gsm (0.0045" or 0.11 mm paper thickness), Forms or Paper - 16 to 24 lbs, 60 to 90 gsm (0.0045" or 0.11mm maximum paper thickness)

## Supplies Used

Optional 8 million characters (draft mode at 10 cpi)- Re-Inking Ribbon, Standard 4 million characters (draft mode at 10 cpi) - Re-Inking Ribbon

## Standard Ports

Centronics IEEE 1284 Bidirectional Parallel, USB

## Optional Local Ports

Internal RS-232C serial

## Optional Network Ports

Lexmark N4000e Fast Ethernet (Print Only), Lexmark N4050e 802.11g Wireless Print Server (Print Only), External MarkNet™ N7020e Gigabit Ethernet, External MarkNet™ N7000e Fast Ethernet (USB), External MarkNet™ N7002e Fast Ethernet (parallel)

## Printer Languages (Standard)

Epson Emulation, Personal Printer Data Stream (PPDS), Okidata MICROLINE Emulation

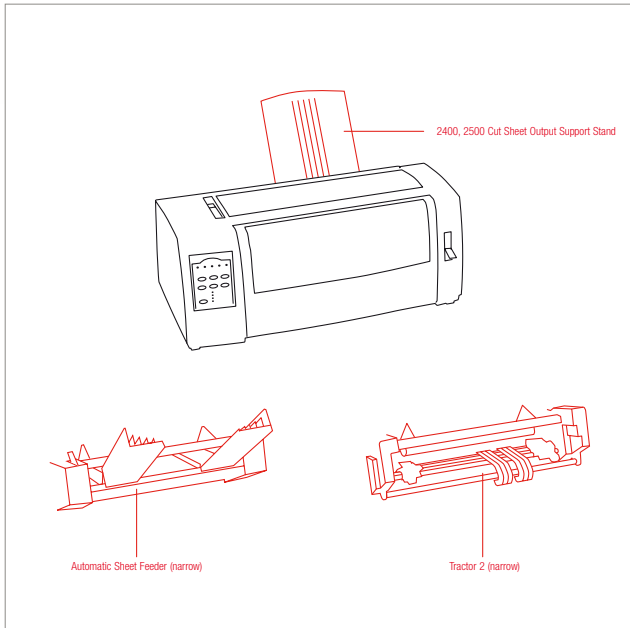
## Text Fonts

Fast Draft, Draft, Courier, Gothic, 10, 12, 15, 17.1, 20 cpi, Proportional Spaced (PS)

## Bar Codes

EAN-8, UPC-A, Code 3 of 9, UPC-E, Codabar (NW-7), EAN-13, Interleaved 2 of 5, Industrial 2 of 5, Code 128,





Paper Handling Standard  
 Paper Handling Optional

|               |   |
|---------------|---|
| <b>Part #</b> | <b>Model</b>  |
| 11C2550       | Lexmark Forms Printer 2580                            |
| <b>Part #</b> | <b>Ribbons</b>  |
| 11A3550       | 24xx High Yield Black Re-Inking Ribbon                |
| 11A3540       | 24XX Standard Yield Black Re-inking Ribbon            |
| <b>Part #</b> | <b>Paper Handling</b>                                 |
| 12T0693       | 2480, 2490, 2580, 2590 Automatic Sheet Feed (narrow)  |
| 12T0695       | 2480, 2490, 2580, 2590 Tractor 2                      |
| 12T0697       | 2400, 2500 Cut Sheet Output Support Stand             |
| <b>Part #</b> | <b>Connectivity</b>                                   |
| 1021231       | Parallel Cable (10-foot)                              |
| 1021294       | USB Cable (2-meter)                                   |
| 12T0698       | 2400, 2500 Series Serial Interface Option             |
| 14T0030       | Lexmark N4000e for Ethernet 10/100BaseTX              |
| 14T0145       | Lexmark N4050e 802.11g Wireless Print Server          |
| 14T0230       | MarkNet™ N7000e Fast Ethernet Print Server - USB      |
| 14T0240       | MarkNet™ N7002e Fast Ethernet Print Server - Parallel |
| 14T0220       | MarkNet™ N7020e Gigabit Ethernet Print Server         |
| <b>Part #</b> | <b>Extended Warranties</b>                            |
| 2349601       | 3-Years Total Exchange Service, Next Business Day     |
| 2349602       | 4-Years Total Exchange Service, Next Business Day     |
| 2349641       | Upgrade to Onsite Service, Next Business Day          |
| 2349642       | 3-Years Total Onsite Service, Next Business Day       |
| 2349643       | 4-Years Total Onsite Service, Next Business Day       |
| 2349646       | 1-Year Onsite Service Renewal, Next Business Day      |

# Lexmark Forms Printer 2580n



Fast, reliable 9-pin printing for narrow forms

## Print Technology

9-Pin Dot Matrix

## Print Speeds

Up to 304 cps Draft @12 cpi, Up to 510 cps Fast Draft @ 12cpi, Up to 76 cps Near Letter Quality @ 12 cpi

## Resolution

240 x 144 dots per inch

## Memory

512 KB

## Mean Time Between Failures (MTBF)

12,500 POH @ 25% duty cycle

## Linux Operating Systems Supported

Red Hat Enterprise Linux WS 3.0, 4.0, 5.0, SUSE Linux Enterprise Server 8.0, 9.0, 10.0, Debian GNU/Linux 3.1, 4.0, Linspire Linux 5.0, SUSE Linux 10.0, 10.1, 10.2

## Microsoft Windows Operating Systems Supported

2000, NT (4.00/4.00 Server), Me, XP, Server 2003, 98 2nd Edition, XP x64, Server 2003 x64, Vista, Vista x64

## Novell Operating Systems Supported

Open Enterprise Server for Netware with NDS, iPrint or Novell Distributed Print Services (NDPS), NetWare® 3.2, 4.2 (bindery), NetWare 4.2, 5.x and 6.x (NDS), NetWare 5.x, 6.x with iPrint or Novell Distributed Print Services (NDPS)

## UNIX Operating Systems Supported

Sun Solaris SPARC 8, 9, 10, IBM AIX 5.1, 5.2, 5.3, Sun Solaris x86 10, HP-UX 11.11

---

## Paper Handling Optional

Automatic Sheet Feeder (narrow), Tractor 2 (narrow)

## Paper Handling Standard

Front Tractor Feeder

## Media Sizes Supported

Single-part or multi-part Continuous Forms, Narrow Sheet Fed Paper, Single-part or multi-part Cut Forms

## Media Types Supported

Multi-part forms - Up to 1+5 Parts (up to 0.020" or 0.51 mm paper thickness), Single-part forms - 16 to 24 lbs, 60 to 90 gsm (0.0045" or 0.11 mm paper thickness), Forms or Paper - 16 to 24 lbs, 60 to 90 gsm (0.0045" or 0.11mm maximum paper thickness)

## Supplies Yield

Optional 8 million characters (draft mode at 10 cpi)- Re-Inking Ribbon, Standard 4 million characters (draft mode at 10 cpi) - Re-Inking Ribbon

---

## Standard Ports

Centronics IEEE 1284 Bidirectional Parallel, Ethernet 10/100BaseTX (RJ-45), USB

## Optional Network Ports

Lexmark N4050e 802.11g Wireless Print Server (Print Only), External MarkNet™ N7020e Gigabit Ethernet

## Network Printing Methods

LPR/LPD, Direct IP (Port 9100), IPP (Internet Printing Protocol), NDS Queue-based Printing, Enhanced IP (Port 9400), FTP, TFTP

## Network Protocol Support

TCP/IP IPv4, IPX/SPX, TCP/IP IPv6

## Network Security

SSL\* Enabled Embedded Web Server (HTTPS), SNMPv3, TCP/IP port access control, 802.1x Authentication: MD5, MSCHAPv2, LEAP, PEAP, TLS, TTLS, IPsec, \*This product includes software developed by the OpenSSL Project for use in the OpenSSL Toolkit.

## Printer Languages (Standard)

Epson Emulation, Personal Printer Data Stream (PPDS), Okidata MICR/LINE Emulation

## Text Fonts

Fast Draft, Draft, Courier, Gothic, 10, 12, 15, 17.1, 20 cpi, Proportional Spaced (PS)

## Bar Codes

EAN-8, UPC-A, Code 3 of 9, UPC-E, Codabar (NW-7), EAN-13, Interleaved 2 of 5, Industrial 2 of 5, Code 128, US Postal (POSTNET 5-digit ZIP Code)

---

## Packaged Size (in. - H x W x D)

12.8 x 24.0 x 16.1 in.

## Size (in. - H x W x D)

7.7 x 19.4 x 11.4 in.

## Weight (lb.)

17.6 lb.

## Noise Level, Idle

0 dBA

## Print Noise Level, Operating

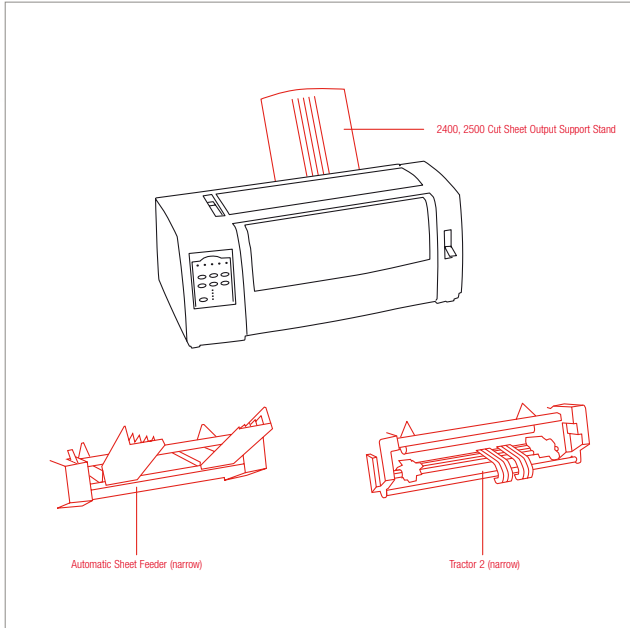
56 dBA

## Maximum Print Line (")

8.0 inches

## Product Warranty

2 Year Exchange, Next Business Day



Paper Handling Standard  
 Paper Handling Optional

| <b>Part #</b> | <b>Model</b>   |
|---------------|--|
| 11C2551       | Lexmark Forms Printer 2580n                          |
| <b>Part #</b> | <b>Ribbons</b>                                       |
| 11A3550       | 24xx High Yield Black Re-Inking Ribbon               |
| 11A3540       | 24XX Standard Yield Black Re-inking Ribbon           |
| <b>Part #</b> | <b>Paper Handling</b>                                |
| 12T0693       | 2480, 2490, 2580, 2590 Automatic Sheet Feed (narrow) |
| 12T0695       | 2480, 2490, 2580, 2590 Tractor 2                     |
| 12T0697       | 2400, 2500 Cut Sheet Output Support Stand            |
| <b>Part #</b> | <b>Connectivity</b>                                  |
| 1021231       | Parallel Cable (10-foot)                             |
| 1021294       | USB Cable (2-meter)                                  |
| 14T0145       | Lexmark N4050e 802.11g Wireless Print Server         |
| 14T0220       | MarkNet™ N7020e Gigabit Ethernet Print Server        |
| <b>Part #</b> | <b>Extended Warranties</b>                           |
| 2349601       | 3-Years Total Exchange Service, Next Business Day    |
| 2349602       | 4-Years Total Exchange Service, Next Business Day    |
| 2349641       | Upgrade to Onsite Service, Next Business Day         |
| 2349642       | 3-Years Total Onsite Service, Next Business Day      |
| 2349643       | 4-Years Total Onsite Service, Next Business Day      |
| 2349646       | 1-Year Onsite Service Renewal, Next Business Day     |

# Lexmark Forms Printer 2581



Fast, reliable 9-pin printing for wide forms

## Print Technology

9-Pin Dot Matrix

## Print Speeds

Up to 304 cps Draft @12 cpi, Up to 510 cps Fast Draft @ 12cpi, Up to 76 cps Near Letter Quality @ 12 cpi

## Resolution

240 x 144 dots per inch

## Memory

512 KB

## Mean Time Between Failures (MTBF)

12,500 POH @ 25% duty cycle

## Linux Operating Systems Supported

Red Hat Enterprise Linux WS 3.0, 4.0, 5.0, SUSE Linux Enterprise Server 8.0, 9.0, 10.0, Debian GNU/Linux 3.1, 4.0, Linspire Linux 5.0, SUSE Linux 10.0, 10.1, 10.2

## Microsoft Windows Operating Systems Supported

2000, NT (4.00/4.00 Server), Me, XP, Server 2003, 98 2nd Edition, XP x64, Server 2003 x64, Vista, Vista x64

US Postal (POSTNET 5-digit ZIP Code)

## Packaged Size (in. - H x W x D)

12.8 x 29.6 x 16.1 in.

## Size (in. - H x W x D)

7.7 x 24.9 x 11.4 in.

## Weight (lb.)

21.6 lb.

## Noise Level, Idle

0 dBA

## Print Noise Level, Operating

56 dBA

## Maximum Print Line (")

13.6 inches

## Product Warranty

2 Year Exchange, Next Business Day

## Paper Handling Optional

Automatic Sheet Feeder (wide), Tractor 2 (wide)

## Paper Handling Standard

Front Tractor Feeder

## Media Sizes Supported

Single-part or multi-part Continuous Forms, Wide Sheet Fed Paper, Single-part or multi-part Cut Forms

## Media Types Supported

Multi-part forms - Up to 1+5 Parts (up to 0.020" or 0.51 mm paper thickness), Single-part forms - 16 to 24 lbs, 60 to 90 gsm (0.0045" or 0.11 mm paper thickness), Forms or Paper - 16 to 24 lbs, 60 to 90 gsm (0.0045" or 0.11mm maximum paper thickness)

## Supplies Yield

Optional 8 million characters (draft mode at 10 cpi)- Re-Inking Ribbon, Standard 4 million characters (draft mode at 10 cpi) - Re-Inking Ribbon

## Standard Ports

Centronics IEEE 1284 Bidirectional Parallel, USB

## Optional Local Ports

Internal RS-232C serial

## Optional Network Ports

Lexmark N4000e Fast Ethernet (Print Only), Lexmark N4050e 802.11g Wireless Print Server (Print Only), External MarkNet™ N7020e Gigabit Ethernet, External MarkNet™ N7000e Fast Ethernet (USB), External MarkNet™ N7002e Fast Ethernet (parallel)

## Print Languages (Standard)

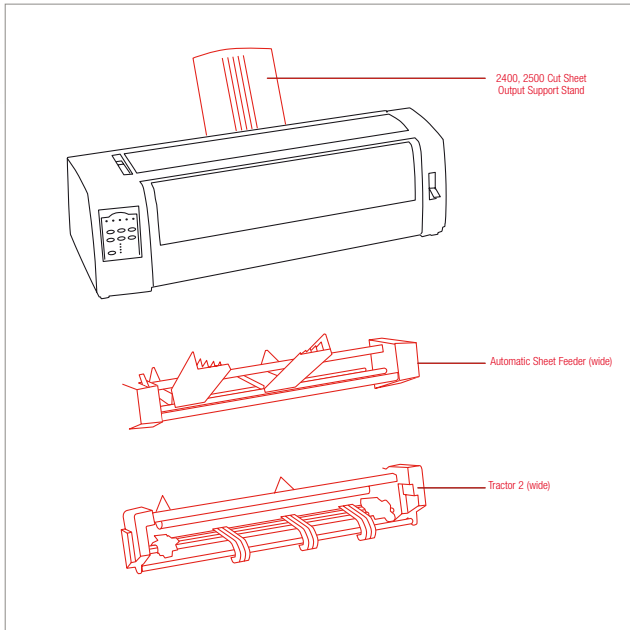
Epson Emulation, Personal Printer Data Stream (PPDS), Okidata MICROLINE Emulation

## Text Fonts

Fast Draft, Draft, Courier, Gothic, 10, 12, 15, 17.1, 20 cpi, Proportional Spaced (PS)

## Bar Codes

EAN-8, UPC-A, Code 3 of 9, UPC-E, Codabar (NW-7), EAN-13, Interleaved 2 of 5, Industrial 2 of 5, Code 128,



■ Paper Handling Standard  
■ Paper Handling Optional

| <b>Part #</b> | <b>Model</b>   |
|---------------|--|
| 11C2552       | Lexmark Forms Printer 2581                                   |
| <b>Part #</b> | <b>Ribbons</b>   |
| 11A3550       | 24xx High Yield Black Re-inking Ribbon                       |
| 11A3540       | 24XX Standard Yield Black Re-inking Ribbon                   |
| <b>Part #</b> | <b>Paper Handling</b>  |
| 12T0696       | 2481, 2491, 2581, 2591 Tractor 2                             |
| 12T0694       | 2481, 2491, 2581, 2591, 4227plus Automatic Sheet Feed (wide) |
| 12T0697       | 2400, 2500 Cut Sheet Output Support Stand                    |
| <b>Part #</b> | <b>Connectivity</b>  |
| 1021231       | Parallel Cable (10-foot)                                     |
| 1021294       | USB Cable (2-meter)  |
| 12T0698       | 2400, 2500 Series Serial Interface Option                    |
| 14T0030       | Lexmark N4000e for Ethernet 10/100BaseTX                     |
| 14T0145       | Lexmark N4050e 802.11g Wireless Print Server                 |
| 14T0230       | MarkNet™ N7000e Fast Ethernet Print Server - USB             |
| 14T0240       | MarkNet™ N7002e Fast Ethernet Print Server - Parallel        |
| 14T0220       | MarkNet™ N7020e Gigabit Ethernet Print Server                |
| <b>Part #</b> | <b>Extended Warranties</b>                                   |
| 2349601       | 3-Years Total Exchange Service, Next Business Day            |
| 2349602       | 4-Years Total Exchange Service, Next Business Day            |
| 2349641       | Upgrade to Onsite Service, Next Business Day                 |
| 2349642       | 3-Years Total Onsite Service, Next Business Day              |
| 2349643       | 4-Years Total Onsite Service, Next Business Day              |
| 2349646       | 1-Year Onsite Service Renewal, Next Business Day             |

# Lexmark Forms Printer 2581n



Fast, reliable 9-pin printing for wide forms

## Print Technology

9-Pin Dot Matrix

## Print Speeds

Up to 304 cps Draft @12 cpi, Up to 510 cps Fast Draft @ 12cpi, Up to 76 cps Near Letter Quality @ 12 cpi

## Resolution

240 x 144 dots per inch

## Memory

512 KB

## Mean Time Between Failures (MTBF)

12,500 POH @ 25% duty cycle

## Linux Operating Systems Supported

Red Hat Enterprise Linux WS 3.0, 4.0, 5.0, SUSE Linux Enterprise Server 8.0, 9.0, 10.0, Debian GNU/Linux 3.1, 4.0, Linspire Linux 5.0, SUSE Linux 10.0, 10.1, 10.2

## Microsoft Windows Operating Systems Supported

2000, NT 4.00/4.00 Server, Me, XP, Server 2003, 98 2nd Edition, XP x64, Server 2003 x64, Vista, Vista x64

## Novell Operating Systems Supported

Open Enterprise Server for Netware with NDS, iPrint or Novell Distributed Print Services (NDPS), NetWare® 3.2, 4.2 (bindery), NetWare 4.2, 5.x and 6.x (NDS), NetWare 5.x, 6.x with iPrint or Novell Distributed Print Services (NDPS)

## UNIX Operating Systems Supported

Sun Solaris SPARC 8, 9, 10, IBM AIX 5.1, 5.2, 5.3, Sun Solaris x86 10, HP-LUX 11.11

## Paper Handling Optional

Automatic Sheet Feeder (wide), Tractor 2 (wide)

## Paper Handling Standard

Front Tractor Feeder

## Media Sizes Supported

Single-part or multi-part Continuous Forms, Wide Sheet Fed Paper, Single-part or multi-part Cut Forms

## Media Types Supported

Multi-part forms - Up to 1+5 Parts (up to 0.020" or 0.51 mm paper thickness), Single-part forms - 16 to 24 lbs, 60 to 90 gsm (0.0045" or 0.11 mm paper thickness), Forms or Paper - 16 to 24 lbs, 60 to 90 gsm (0.0045" or 0.11mm maximum paper thickness)

## Supplies Yield

Optional 8 million characters (draft mode at 10 cpi)- Re-Inking Ribbon, Standard 4 million characters (draft mode at 10 cpi) - Re-Inking Ribbon

## Standard Ports

Centronics IEEE 1284 Bidirectional Parallel, Ethernet 10/100BaseTX (RJ-45), USB

## Optional Network Ports

Lexmark N4050e 802.11g Wireless Print Server (Print Only), External MarkNet™ N7020e Gigabit Ethernet

## Network Printing Methods

LPR/LPD, Direct IP (Port 9100), IPP (Internet Printing Protocol), NDS Queue-based Printing, Enhanced IP (Port 9400), FTP, TFTP

## Network Protocol Support

TCP/IP IPv4, IPX/SPX, TCP/IP IPv6

## Network Security

SSL\* Enabled Embedded Web Server (HTTPS), SNMPv3, TCP/IP port access control, 802.1x Authentication: MD5, MSCHAPv2, LEAP, PEAP, TLS, TTLS, IPsec, \*This product includes software developed by the OpenSSL Project for use in the OpenSSL Toolkit.

## Printer Languages (Standard)

Epson Emulation, Personal Printer Data Stream (PPDS), Okidata MICR/LINE Emulation

## Text Fonts

Fast Draft, Draft, Courier, Gothic, 10, 12, 15, 17.1, 20 cpi, Proportional Spaced (PS)

## Bar Codes

EAN-8, UPC-A, Code 3 of 9, UPC-E, Codabar (NW-7), EAN-13, Interleaved 2 of 5, Industrial 2 of 5, Code 128, US Postal (POSTNET 5-digit ZIP Code)

## Packaged Size (in. - H x W x D)

12.8 x 29.6 x 16.1 in.

## Size (in. - H x W x D)

7.7 x 24.9 x 11.4 in.

## Weight (lb.)

21.6 lb.

## Noise Level, Idle

0 dBA

## Print Noise Level, Operating

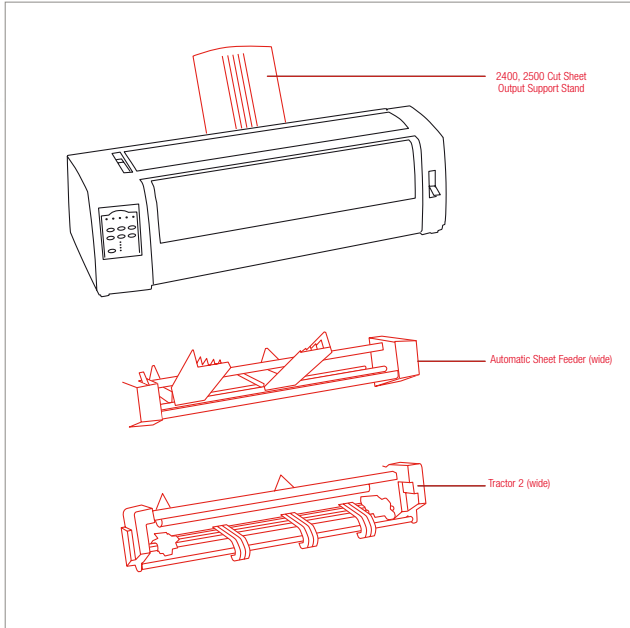
56 dBA

## Maximum Print Line (")

13.6 inches

## Product Warranty

2 Year Exchange, Next Business Day



■ Paper Handling Standard  
■ Paper Handling Optional

| <b>Part #</b> | <b>Model</b>   |
|---------------|--|
| 11C2553       | Lexmark Forms Printer 2581n                                  |
| <b>Part #</b> | <b>Ribbons</b>   |
| 11A3550       | 24xx High Yield Black Re-Inking Ribbon                       |
| 11A3540       | 24XX Standard Yield Black Re-inking Ribbon                   |
| <b>Part #</b> | <b>Paper Handling</b>  |
| 12T0696       | 2481, 2491, 2581, 2591 Tractor 2                             |
| 12T0694       | 2481, 2491, 2581, 2591, 4227plus Automatic Sheet Feed (wide) |
| 12T0697       | 2400, 2500 Cut Sheet Output Support Stand                    |
| <b>Part #</b> | <b>Connectivity</b>  |
| 1021231       | Parallel Cable (10-foot)                                     |
| 1021294       | USB Cable (2-meter)  |
| 14T0145       | Lexmark N4050e 802.11g Wireless Print Server                 |
| 14T0220       | MarkNet™ N7020e Gigabit Ethernet Print Server                |
| <b>Part #</b> | <b>Extended Warranties</b>                                   |
| 2349601       | 3-Years Total Exchange Service, Next Business Day            |
| 2349602       | 4-Years Total Exchange Service, Next Business Day            |
| 2349641       | Upgrade to Onsite Service, Next Business Day                 |
| 2349642       | 3-Years Total Onsite Service, Next Business Day              |
| 2349643       | 4-Years Total Onsite Service, Next Business Day              |
| 2349646       | 1-Year Onsite Service Renewal, Next Business Day             |

# Lexmark Forms Printer 2590



Letter-quality 24-pin printing for narrow forms

## Print Technology

24-Pin Dot Matrix

## Print Speeds

Up to 465 cps Fast Draft @ 12 cpi, Up to 109 cps Near Letter Quality @ 12 cpi, Up to 328 cps Draft @12 cpi

## Resolution

360 x 360 dots per inch

## Memory

512 KB

## Mean Time Between Failures (MTBF)

12,500 POH @ 25% duty cycle

## Linux Operating Systems Supported

Red Hat Enterprise Linux WS 3.0, 4.0, 5.0, SUSE Linux Enterprise Server 8.0, 9.0, 10.0, Debian GNU/Linux 3.1, 4.0, Linspire Linux 5.0, SUSE Linux 10.0, 10.1, 10.2

## Microsoft Windows Operating Systems Supported

2000, NT (4.00/4.00 Server), Me, XP, Server 2003, 98 2nd Edition, XP x64, Server 2003 x64, Vista, Vista x64

US Postal (POSTNET 5-digit ZIP Code)

## Packaged Size (in. - H x W x D)

12.8 x 24.0 x 16.1 in.

## Size (in. - H x W x D)

7.7 x 19.4 x 11.4 in.

## Weight (lb.)

17.6 lb.

## Noise Level, Idle

0 dBA

## Print Noise Level, Operating

55 dBA

## Maximum Print Line (")

8 inches

## Product Warranty

2 Year Exchange, Next Business Day

## Paper Handling Optional

Automatic Sheet Feeder (narrow), Tractor 2 (narrow)

## Paper Handling Standard

Front Tractor Feeder

## Media Sizes Supported

Single-part or multi-part Continuous Forms, Narrow Sheet Fed Paper, Single-part or multi-part Cut Forms

## Media Types Supported

Multi-part forms - Up to 1+3 Parts (up to 0.014" or 0.36 mm paper thickness), Single-part forms - 16 to 24 lbs, 60 to 90 gsm (0.0045" or 0.11 mm paper thickness), Forms or Paper - 16 to 24 lbs, 60 to 90 gsm (0.0045" or 0.11mm maximum paper thickness)

## Supplies Used

Optional 8 million characters (draft mode at 10 cpi)- Re-Inking Ribbon, Standard 4 million characters (draft mode at 10 cpi) - Re-Inking Ribbon

## Standard Ports

Centronics IEEE 1284 Bidirectional Parallel, USB

## Optional Local Ports

Internal RS-232C serial

## Optional Network Ports

Lexmark N4000e Fast Ethernet (Print Only), Lexmark N4050e 802.11g Wireless Print Server (Print Only), External MarkNet™ N7020e Gigabit Ethernet, External MarkNet™ N7000e Fast Ethernet (USB), External MarkNet™ N7002e Fast Ethernet (parallel)

## Printer Languages (Standard)

Epson Emulation, Personal Printer Data Stream (PPDS)

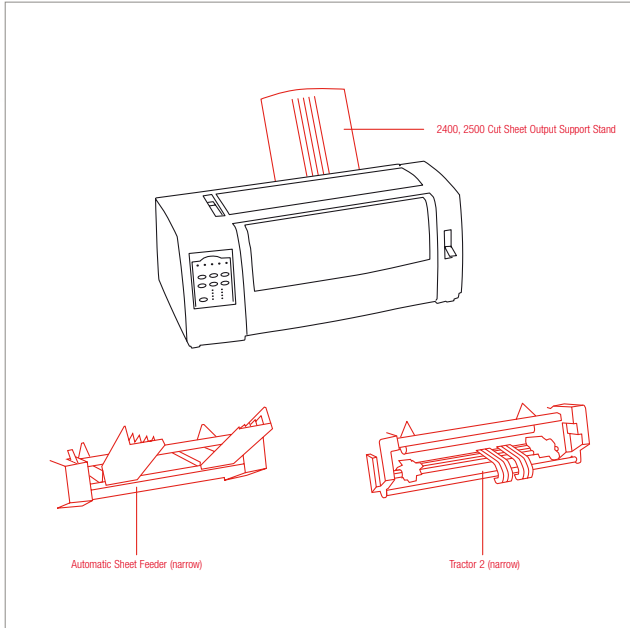
## Text Fonts

Fast Draft, Draft, Courier, Gothic, Orator, Presentor, Prestige, Script, 10, 12, 15, 17.1, 20, 24 cpi, Proportional Spaced (PS)

## Bar Codes

EAN-8, UPC-A, Code 3 of 9, UPC-E, Codabar (NW-7), EAN-13, Interleaved 2 of 5, Industrial 2 of 5, Code 128,





Paper Handling Standard  
 Paper Handling Optional

| <b>Part #</b> | <b>Model</b>  |
|---------------|---|
| 11C2554       | Lexmark Forms Printer 2590                            |
| <b>Part #</b> | <b>Ribbons</b>  |
| 11A3540       | 24XX Standard Yield Black Re-inking Ribbon            |
| 11A3550       | 24xx High Yield Black Re-inking Ribbon                |
| <b>Part #</b> | <b>Paper Handling</b>                                 |
| 12T0693       | 2480, 2490, 2580, 2590 Automatic Sheet Feed (narrow)  |
| 12T0695       | 2480, 2490, 2580, 2590 Tractor 2                      |
| 12T0697       | 2400, 2500 Cut Sheet Output Support Stand             |
| <b>Part #</b> | <b>Connectivity</b>                                   |
| 1021231       | Parallel Cable (10-foot)                              |
| 1021294       | USB Cable (2-meter)                                   |
| 12T0698       | 2400, 2500 Series Serial Interface Option             |
| 14T0030       | Lexmark N4000e for Ethernet 10/100BaseTX              |
| 14T0145       | Lexmark N4050e 802.11g Wireless Print Server          |
| 14T0230       | MarkNet™ N7000e Fast Ethernet Print Server - USB      |
| 14T0240       | MarkNet™ N7002e Fast Ethernet Print Server - Parallel |
| 14T0220       | MarkNet™ N7020e Gigabit Ethernet Print Server         |
| <b>Part #</b> | <b>Extended Warranties</b>                            |
| 2349601       | 3-Years Total Exchange Service, Next Business Day     |
| 2349602       | 4-Years Total Exchange Service, Next Business Day     |
| 2349641       | Upgrade to Onsite Service, Next Business Day          |
| 2349642       | 3-Years Total Onsite Service, Next Business Day       |
| 2349643       | 4-Years Total Onsite Service, Next Business Day       |
| 2349646       | 1-Year Onsite Service Renewal, Next Business Day      |

# Lexmark Forms Printer 2590n



Letter-quality 24-pin printing for narrow forms

## Print Technology

24-Pin Dot Matrix

## Print Speeds

Up to 465 cps Fast Draft @ 12 cpi, Up to 109 cps Near Letter Quality @ 12 cpi, Up to 328 cps Draft @12 cpi

## Resolution

360 x 360 dots per inch

## Memory

512 KB

## Mean Time Between Failures (MTBF)

12,500 POH @ 25% duty cycle

## Linux Operating Systems Supported

Red Hat Enterprise Linux WS 3.0, 4.0, 5.0, SUSE Linux Enterprise Server 8.0, 9.0, 10.0, Debian GNU/Linux 3.1, 4.0, Linspire Linux 5.0, SUSE Linux 10.0, 10.1, 10.2

## Microsoft Windows Operating Systems Supported

2000, NT (4.00/4.00 Server), Me, XP, Server 2003, 98 2nd Edition, XP x64, Server 2003 x64, Vista, Vista x64

## Novell Operating Systems Supported

Open Enterprise Server for Netware with NDS, iPrint or Novell Distributed Print Services (NDPS), NetWare® 3.2, 4.2 (bindery), NetWare 4.2, 5.x and 6.x (NDS), NetWare 5.x, 6.x with iPrint or Novell Distributed Print Services (NDPS)

## UNIX Operating Systems Supported

Sun Solaris SPARC 8, 9, 10, IBM AIX 5.1, 5.2, 5.3, Sun Solaris x86 10, HP-UX 11.11

## Paper Handling Optional

Automatic Sheet Feeder (narrow), Tractor 2 (narrow)

## Paper Handling Standard

Front Tractor Feeder

## Media Sizes Supported

Single-part or multi-part Continuous Forms, Narrow Sheet Fed Paper, Single-part or multi-part Cut Forms

## Media Types Supported

Multi-part forms - Up to 1+3 Parts (up to 0.014" or 0.36 mm paper thickness), Single-part forms - 16 to 24 lbs, 60 to 90 gsm (0.0045" or 0.11 mm paper thickness), Forms or Paper - 16 to 24 lbs, 60 to 90 gsm (0.0045" or 0.11mm maximum paper thickness)

## Supplies Yield

Optional 8 million characters (draft mode at 10 cpi)- Re-Inking Ribbon, Standard 4 million characters (draft mode at 10 cpi) - Re-Inking Ribbon

## Standard Ports

Centronics IEEE 1284 Bidirectional Parallel, Ethernet 10/100BaseTX (RJ-45), USB

## Optional Network Ports

Lexmark N4050e 802.11g Wireless Print Server (Print Only), External MarkNet™ N7020e Gigabit Ethernet

## Network Printing Methods

LPR/LPD, Direct IP (Port 9100), IPP (Internet Printing Protocol), NDS Queue-based Printing, Enhanced IP (Port 9400), FTP, TFTP

## Network Protocol Support

TCP/IP IPv4, IPX/SPX, TCP/IP IPv6

## Network Security

SSL\* Enabled Embedded Web Server (HTTPS), SNMPv3, TCP/IP port access control, 802.1x Authentication: MD5, MSCHAPv2, LEAP, PEAP, TLS, TTLS, IPsec, \*This product includes software developed by the OpenSSL Project for use in the OpenSSL Toolkit.

## Printer Languages (Standard)

Epson Emulation, Personal Printer Data Stream (PPDS)

## Text Fonts

Fast Draft, Draft, Courier, Gothic, Orator, Presenter, Prestige, Script, 10, 12, 15, 17.1, 20, 24 cpi, Proportional Spaced (PS)

## Bar Codes

EAN-8, UPC-A, Code 3 of 9, UPC-E, Codabar (NW-7), EAN-13, Interleaved 2 of 5, Industrial 2 of 5, Code 128, US Postal (POSTNET 5-digit ZIP Code)

## Packaged Size (in. - H x W x D)

12.8 x 24.0 x 16.1 in.

## Size (in. - H x W x D)

7.7 x 19.4 x 11.4 in.

## Weight (lb.)

17.6 lb.

## Noise Level, Idle

0 dBA

## Print Noise Level, Operating

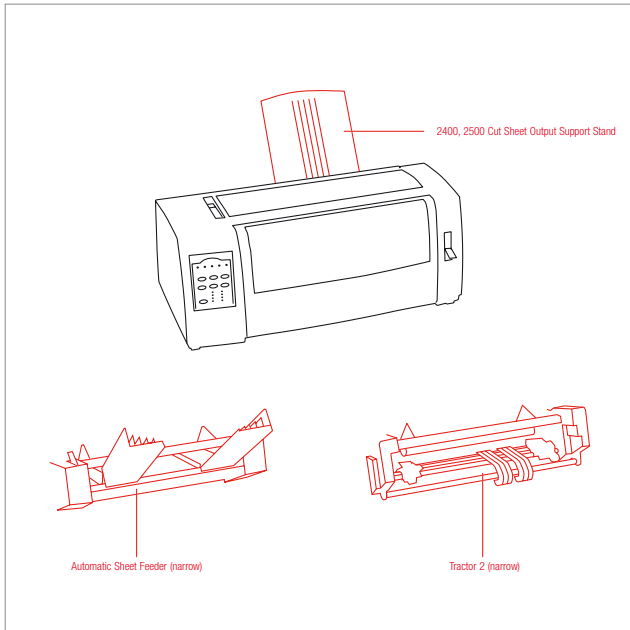
55 dBA

## Maximum Print Line (")

8 inches

## Product Warranty

2 Year Exchange, Next Business Day



Paper Handling Standard  
 Paper Handling Optional

| <b>Part #</b> | <b>Model</b>   |
|---------------|--|
| 11C2555       | Lexmark Forms Printer 2590n                          |
| <b>Part #</b> | <b>Ribbons</b>                                       |
| 11A3540       | 24XX Standard Yield Black Re-inking Ribbon           |
| 11A3550       | 24xx High Yield Black Re-inking Ribbon               |
| <b>Part #</b> | <b>Paper Handling</b>                                |
| 12T0693       | 2480, 2490, 2580, 2590 Automatic Sheet Feed (narrow) |
| 12T0695       | 2480, 2490, 2580, 2590 Tractor 2                     |
| 12T0697       | 2400, 2500 Cut Sheet Output Support Stand            |
| <b>Part #</b> | <b>Connectivity</b>                                  |
| 1021231       | Parallel Cable (10-foot)                             |
| 1021294       | USB Cable (2-meter)                                  |
| 14T0145       | Lexmark N4050e 802.11g Wireless Print Server         |
| 14T0220       | MarkNet™ N7020e Gigabit Ethernet Print Server        |
| <b>Part #</b> | <b>Extended Warranties</b>                           |
| 2349601       | 3-Years Total Exchange Service, Next Business Day    |
| 2349602       | 4-Years Total Exchange Service, Next Business Day    |
| 2349641       | Upgrade to Onsite Service, Next Business Day         |
| 2349642       | 3-Years Total Onsite Service, Next Business Day      |
| 2349643       | 4-Years Total Onsite Service, Next Business Day      |
| 2349646       | 1-Year Onsite Service Renewal, Next Business Day     |

# Lexmark Forms Printer 2591



Letter-quality 24-pin printing for wide forms

## Print Technology

24-Pin Dot Matrix

## Print Speeds

Up to 465 cps Fast Draft @ 12 cpi, Up to 109 cps Near Letter Quality @ 12 cpi, Up to 328 cps Draft @12 cpi

## Resolution

360 x 360 dots per inch

## Memory

512 KB

## Mean Time Between Failures (MTBF)

12,500 POH @ 25% duty cycle

## Linux Operating Systems Supported

Red Hat Enterprise Linux WS 3.0, 4.0, 5.0, SUSE Linux Enterprise Server 8.0, 9.0, 10.0, Debian GNU/Linux 3.1, 4.0, Linspire Linux 5.0, SUSE Linux 10.0, 10.1, 10.2

## Microsoft Windows Operating Systems Supported

2000, NT (4.00/4.00 Server), Me, XP, Server 2003, 98 2nd Edition, XP x64, Server 2003 x64, Vista, Vista x64

US Postal (POSTNET 5-digit ZIP Code)

## Packaged Size (in. - H x W x D)

12.8 x 29.6 x 16.1 in.

## Size (in. - H x W x D)

7.7 x 24.9 x 11.4 in.

## Weight (lb.)

21.6 lb.

## Noise Level, Idle

0 dBA

## Print Noise Level, Operating

55 dBA

## Maximum Print Line (")

13.6 inches

## Product Warranty

2 Year Exchange, Next Business Day

## Paper Handling Optional

Automatic Sheet Feeder (wide), Tractor 2 (wide)

## Paper Handling Standard

Front Tractor Feeder

## Media Sizes Supported

Single-part or multi-part Continuous Forms, Wide Sheet Fed Paper, Single-part or multi-part Cut Forms

## Media Types Supported

Multi-part forms - Up to 1+3 Parts (up to 0.014" or 0.36 mm paper thickness), Single-part forms - 16 to 24 lbs, 60 to 90 gsm (0.0045" or 0.11 mm paper thickness), Forms or Paper - 16 to 24 lbs, 60 to 90 gsm (0.0045" or 0.11mm maximum paper thickness)

## Supplies Yield

Optional 8 million characters (draft mode at 10 cpi)- Re-Inking Ribbon, Standard 4 million characters (draft mode at 10 cpi) - Re-Inking Ribbon

## Standard Ports

Centronics IEEE 1284 Bidirectional Parallel, USB

## Optional Local Ports

Internal RS-232C serial

## Optional Network Ports

Lexmark N4000e Fast Ethernet (Print Only), Lexmark N4050e 802.11g Wireless Print Server (Print Only), External MarkNet™ N7020e Gigabit Ethernet, External MarkNet™ N7000e Fast Ethernet (USB), External MarkNet™ N7002e Fast Ethernet (parallel)

## Printer Languages (Standard)

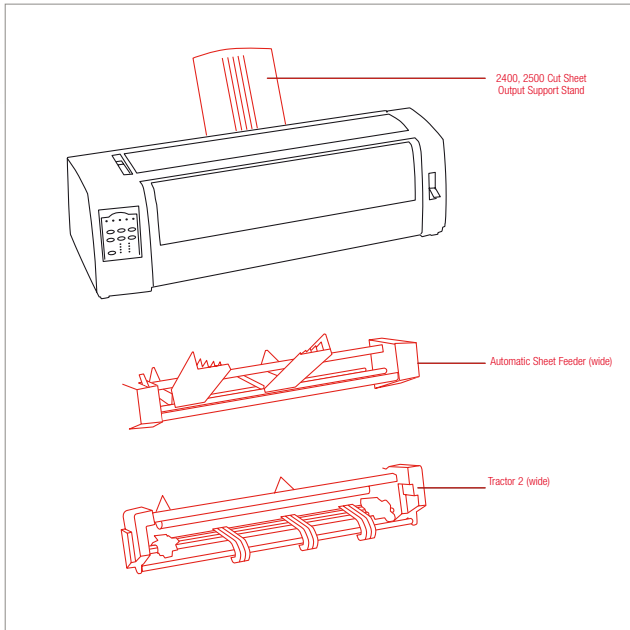
Epson Emulation, Personal Printer Data Stream (PPDS)

## Text Fonts

Fast Draft, Draft, Courier, Gothic, Orator, Presenter, Prestige, Script, 10, 12, 15, 17.1, 20, 24 cpi, Proportional Spaced (PS)

## Bar Codes

EAN-8, UPC-A, Code 3 of 9, UPC-E, Codabar (NW-7), EAN-13, Interleaved 2 of 5, Industrial 2 of 5, Code 128,



Paper Handling Standard  
 Paper Handling Optional

| Part #  | Model  |
|---------|--|
| 11C2556 | Lexmark Forms Printer 2591                                   |
| Part #  | Ribbons  |
| 11A3550 | 24xx High Yield Black Re-inking Ribbon                       |
| 11A3540 | 24XX Standard Yield Black Re-inking Ribbon                   |
| Part #  | Paper Handling   |
| 12T0694 | 2481, 2491, 2581, 2591, 4227plus Automatic Sheet Feed (wide) |
| 12T0696 | 2481, 2491, 2581, 2591 Tractor 2                             |
| 12T0697 | 2400, 2500 Cut Sheet Output Support Stand                    |
| Part #  | Connectivity   |
| 1021231 | Parallel Cable (10-foot)                                     |
| 1021294 | USB Cable (2-meter)  |
| 12T0698 | 2400, 2500 Series Serial Interface Option                    |
| 14T0030 | Lexmark N4000e for Ethernet 10/100BaseTX                     |
| 14T0145 | Lexmark N4050e 802.11g Wireless Print Server                 |
| 14T0230 | MarkNet™ N7000e Fast Ethernet Print Server - USB             |
| 14T0240 | MarkNet™ N7002e Fast Ethernet Print Server - Parallel        |
| 14T0220 | MarkNet™ N7020e Gigabit Ethernet Print Server                |
| Part #  | Extended Warranties  |
| 2349601 | 3-Years Total Exchange Service, Next Business Day            |
| 2349602 | 4-Years Total Exchange Service, Next Business Day            |
| 2349641 | Upgrade to Onsite Service, Next Business Day                 |
| 2349642 | 3-Years Total Onsite Service, Next Business Day              |
| 2349643 | 4-Years Total Onsite Service, Next Business Day              |
| 2349646 | 1-Year Onsite Service Renewal, Next Business Day             |

# Lexmark Forms Printer 2591n



Letter-quality 24-pin printing for wide forms

## Print Technology

24-Pin Dot Matrix

## Print Speeds

Up to 465 cps Fast Draft @ 12 cpi, Up to 109 cps Near Letter Quality @ 12 cpi, Up to 328 cps Draft @ 12 cpi

## Resolution

360 x 360 dots per inch

## Memory

512 KB

## Mean Time Between Failures (MTBF)

12,500 POH @ 25% duty cycle

## Linux Operating Systems Supported

Red Hat Enterprise Linux WS 3.0, 4.0, 5.0, SUSE Linux Enterprise Server 8.0, 9.0, 10.0, Debian GNU/Linux 3.1, 4.0, Linspire Linux 5.0, SUSE Linux 10.0, 10.1, 10.2

## Microsoft Windows Operating Systems Supported

2000, NT (4.00/4.00 Server), Me, XP, Server 2003, 98 2nd Edition, XP x64, Server 2003 x64, Vista, Vista x64

## Novell Operating Systems Supported

Open Enterprise Server for Netware with NDS, iPrint or Novell Distributed Print Services (NDPS), NetWare® 3.2, 4.2 (bindery), NetWare 4.2, 5.x and 6.x (NDS), NetWare 5.x, 6.x with iPrint or Novell Distributed Print Services (NDPS)

## UNIX Operating Systems Supported

Sun Solaris SPARC 8, 9, 10, IBM AIX 5.1, 5.2, 5.3, Sun Solaris x86 10, HP-UX 11.11

## Paper Handling Optional

Automatic Sheet Feeder (wide), Tractor 2 (wide)

## Paper Handling Standard

Front Tractor Feeder

## Media Sizes Supported

Single-part or multi-part Continuous Forms, Wide Sheet Fed Paper, Single-part or multi-part Cut Forms

## Media Types Supported

Multi-part forms - Up to 1+3 Parts (up to 0.014" or 0.36 mm paper thickness), Single-part forms - 16 to 24 lbs, 60 to 90 gsm (0.0045" or 0.11 mm paper thickness), Forms or Paper - 16 to 24 lbs, 60 to 90 gsm (0.0045" or 0.11mm maximum paper thickness)

## Supplies Yield

Optional 8 million characters (draft mode at 10 cpi)- Re-Inking Ribbon, Standard 4 million characters (draft mode at 10 cpi) - Re-Inking Ribbon

## Standard Ports

Centronics IEEE 1284 Bidirectional Parallel, Ethernet 10/100BaseTX (RJ-45), USB

## Optional Network Ports

Lexmark N4050e 802.11g Wireless Print Server (Print Only), External MarkNet™ N7020e Gigabit Ethernet

## Network Printing Methods

LPR/LPD, Direct IP (Port 9100), IPP (Internet Printing Protocol), NDS Queue-based Printing, Enhanced IP (Port 9400), FTP, TFTP

## Network Protocol Support

TCP/IP IPv4, IPX/SPX, TCP/IP IPv6

## Network Security

SSL\* Enabled Embedded Web Server (HTTPS), SNMPv3, TCP/IP port access control, 802.1x Authentication: MD5, MSCHAPv2, LEAP, PEAP, TLS, TTLS, IPsec, \*This product includes software developed by the OpenSSL Project for use in the OpenSSL Toolkit.

## Printer Languages (Standard)

Epson Emulation, Personal Printer Data Stream (PPDS)

## Text Fonts

Fast Draft, Draft, Courier, Gothic, Orator, Presenter, Prestige, Script, 10, 12, 15, 17.1, 20, 24 cpi, Proportional Spaced (PS)

## Bar Codes

EAN-8, UPC-A, Code 3 of 9, UPC-E, Codabar (NW-7), EAN-13, Interleaved 2 of 5, Industrial 2 of 5, Code 128, US Postal (POSTNET 5-digit ZIP Code)

## Packaged Size (in. - H x W x D)

12.8 x 29.6 x 16.1 in.

## Size (in. - H x W x D)

7.7 x 24.9 x 11.4 in.

## Weight (lb.)

21.6 lb.

## Noise Level, Idle

0 dBA

## Print Noise Level, Operating

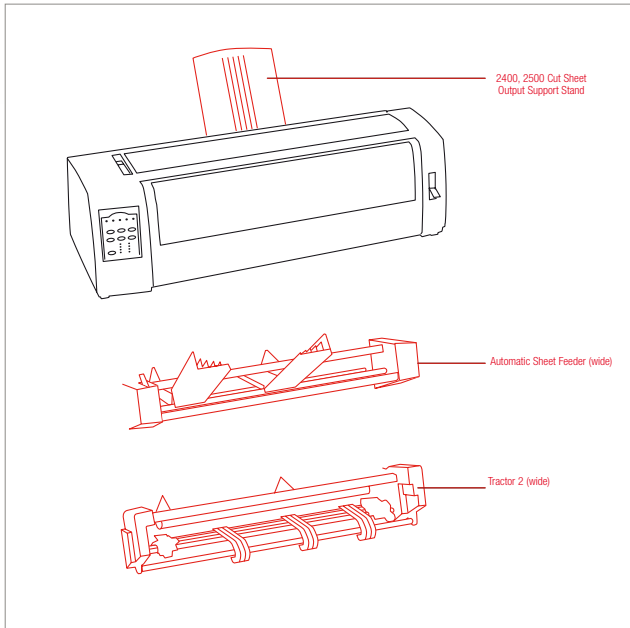
55 dBA

## Maximum Print Line (")

13.6 inches

## Product Warranty

2 Year Exchange, Next Business Day



■ Paper Handling Standard  
■ Paper Handling Optional

| <b>Part #</b> | <b>Model</b>   |
|---------------|--|
| 11C2557       | Lexmark Forms Printer 2591n                                  |
| <b>Part #</b> | <b>Ribbons</b>   |
| 11A3550       | 24xx High Yield Black Re-Inking Ribbon                       |
| 11A3540       | 24XX Standard Yield Black Re-inking Ribbon                   |
| <b>Part #</b> | <b>Paper Handling</b>  |
| 12T0694       | 2481, 2491, 2581, 2591, 4227plus Automatic Sheet Feed (wide) |
| 12T0696       | 2481, 2491, 2581, 2591 Tractor 2                             |
| 12T0697       | 2400, 2500 Cut Sheet Output Support Stand                    |
| <b>Part #</b> | <b>Connectivity</b>  |
| 1021231       | Parallel Cable (10-foot)                                     |
| 1021294       | USB Cable (2-meter)  |
| 14T0145       | Lexmark N4050e 802.11g Wireless Print Server                 |
| 14T0220       | MarkNet™ N7020e Gigabit Ethernet Print Server                |
| <b>Part #</b> | <b>Extended Warranties</b>                                   |
| 2349601       | 3-Years Total Exchange Service, Next Business Day            |
| 2349602       | 4-Years Total Exchange Service, Next Business Day            |
| 2349641       | Upgrade to Onsite Service, Next Business Day                 |
| 2349642       | 3-Years Total Onsite Service, Next Business Day              |
| 2349643       | 4-Years Total Onsite Service, Next Business Day              |
| 2349646       | 1-Year Onsite Service Renewal, Next Business Day             |

# Lexmark Forms Printer 4227 plus



Rugged, high-speed, reliable forms printer for unattended printing.

## **Print Technology**

Dual 9-Pin Dot Matrix

## **Print Speeds**

Up to 600 cps Draft @ 10 cpi, Up to 720 cps Fast Draft @ 10 cpi, Up to 150 cps Near Letter Quality @ 10 cpi

## **Resolution**

240 x 144 dots per inch

## **Memory**

60KB (Receive Buffer)

## **Microsoft Windows Operating Systems Supported**

2000, NT (4.00/4.00 Server), Me, XP, Server 2003, 98 2nd Edition, XP x64, Server 2003 x64, Server 2003 x64 running Terminal Services, Vista, Vista x64

---

## **Paper Handling Optional**

Automatic Sheet Feeder (wide), Tractor 2 (wide)

## **Paper Handling Standard**

Single Sheet Manual Feed, Front Tractor Feeder

## **Media Sizes Supported**

Single-part or multi-part Continuous Forms, Wide Sheet Fed Paper, Single-part or multi-part Cut Forms

## **Media Types Supported**

Envelopes, Labels, Multi-part forms - Up to 1+7 Parts (up to 0.020" or 0.51 mm paper thickness), Single-part forms - 16 to 24 lbs, 60 to 90 gsm (0.0045" or 0.11 mm paper thickness), Forms or Paper - 16 to 24 lbs, 60 to 90 gsm (0.0045" or 0.11mm maximum paper thickness)

## **Supplies Yield**

Standard 15 million characters (draft mode at 10 cpi)

- Fabric Ribbon

---

## **Standard Ports**

Centronics IEEE 1284 Bidirectional Parallel, Serial RS232C / RS422

## **Optional Network Ports**

External MarkNet™ N7002e Fast Ethernet (parallel)

## **Printer Languages (Standard)**

Epson Emulation, Personal Printer Data Stream (PPDS)

## **Text Fonts**

Fast Draft, Draft, Courier, Gothic, 10, 12, 15, 17.1, 20 cpi

---

## **Packaged Size (in. - H x W x D)**

15.6 x 31.2 x 16.6 in.

## **Size (in. - H x W x D)**

10.8 x 24.35 x 11.3 in.

## **Weight (lb.)**

36.3 lb.

## **Print Noise Level, Operating**

55 dBA

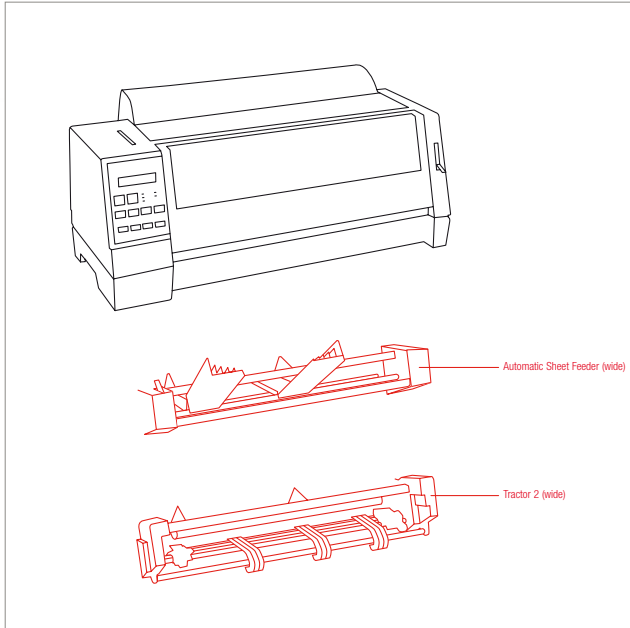
## **Maximum Print Line (")**

13.6 inches

## **Product Warranty**

1 Year Onsite Repair, Next Business Day





■ Paper Handling Standard  
■ Paper Handling Optional

| <b>Part #</b> | <b>Model</b>   |
|---------------|--|
| 13L0180       | Lexmark Forms Printer 4227 plus                              |
| <b>Part #</b> | <b>Ribbons</b>   |
| 13L0034       | 4227, 4227 plus Ribbon                                       |
| <b>Part #</b> | <b>Paper Handling</b>  |
| 12T0694       | 2481, 2491, 2581, 2591, 4227plus Automatic Sheet Feed (wide) |
| 13L0210       | 4227 Tractor 2   |
| <b>Part #</b> | <b>Connectivity</b>  |
| 1021231       | Parallel Cable (10-foot)                                     |
| 14T0240       | MarkNet™ N7002e Fast Ethernet Print Server - Parallel        |
| <b>Part #</b> | <b>Extended Warranties</b>                                   |
| 2346447       | 1 Year Exchange, Next Business Day                           |
| 2346448       | 2 Year Exchange, Next Business Day                           |
| 2346449       | 3 Year Exchange, Next Business Day                           |
| 2347653       | 1 Year Exchange Extended Warranty Renewal                    |
| 2346452       | 2-Years Total Onsite Service, Next Business Day              |
| 2346453       | 3-Years Total Onsite Service, Next Business Day              |
| 2346454       | 4-Years Total Onsite Service, Next Business Day              |
| 2347598       | 1-Year Onsite Service Renewal, Next Business Day             |
| 2347584       | 1 Year Onsite Exchange Extended Warranty Renewal             |

# Forms and Bar Code Card

Lexmark's Forms and Bar Code Card provides two premium business solutions in one value-added printer option

## Electronic Forms, Easy and Effective

---

### Budget Friendly

- Eliminate preprinted forms
- Reduce storage costs
- Maximize printer investment
- Minimize network traffic

---

### Powerful design

- Printer-based forms solution
- Central forms management
- Forms archive and retrieval
- No server required
- Instantly update forms

---

### Superior compatibility

- No application changes
- Host independent
- Embedded bar code support
- SAP R/3 RDI support

### Eliminate costly preprinted forms and help the environment

Preprinted forms are expensive to produce, store and handle. In addition, they can quickly become obsolete, forcing businesses to destroy and reprint them. The Lexmark Forms and Bar Code Card eliminates the costs associated with purchasing preprinted forms, cuts storage and handling costs, and provides the ability to dynamically update forms with new information. With this solution, users can print custom forms on-demand.

### A simple approach to high-quality electronic forms

Lexmark Forms and Bar Code Card is an electronic module that installs in your printer or MFP in minutes. When combined with Lexmark Forms Composer<sup>1</sup>, an electronic forms design tool, users can create custom electronic forms tailored to their needs. Once the module is installed, custom-designed forms can be downloaded directly to a Lexmark device's flash memory or hard disk using Lexmark Forms Manager<sup>(1)</sup>.

### Easily integrate electronic forms into your business

Integrating Lexmark Forms and Bar Code Card into an existing environment is simple; the solution generally requires no changes to host applications, nor does it require a host-based component. Data sent from the host computer (mainframe, mid-range, PC, etc.) flows directly to the printer where it is automatically merged with the correct form, creating a high-value hardcopy document. What's more, because forms are stored at the printer, the host must only send ASCII or SAP RDI data, reducing network traffic and improving throughput for all other network devices.

(1) Lexmark Forms Composer, Lexmark Forms Manager and Lexmark flash memory options must be purchased separately.

# The Complete Bar Code Solution for Business

---

## Complete solution

- 68 industry standard 1-D and 2-D bar codes
- OCR-A and OCR-B fonts included
- FREESCAPE emulation
- Includes visual bar code design software

---

## Business ready

- Works with SAP R/3 and other ERP systems
- Accepts PCL and PostScript commands
- No host software required

---

## Intelligent design

- Independently scalable bar heights and widths
- Data format verification and error reporting
- Automatic bar code data compression

## Create professional quality bar codes

Bar codes are essential for many types of industries, including health care, retail, manufacturing, warehousing, transportation and logistics. Poorly printed, non-symmetrical or damaged bar codes can have an adverse effect on production, transactions and the efficient delivery of goods and services. The Lexmark Forms and Bar Code Card can reduce bar code issues by making it easy to create high-quality bar codes using your Lexmark laser printer or MFP. Bar codes are generated algorithmically in the printer, producing better image quality than bitmapped font-based solutions. Improved quality reduces the number of scan errors, increasing productivity.

## Bar code design made simple

Lexmark Forms and Bar Code Card installs easily in Lexmark-compatible printers and MFPs. The electronic module allows these devices to generate high-quality one-dimensional and two-dimensional bar codes from PCL or PostScript print commands. The card includes Lexmark Visual Bar Code Designer to simplify the creation of PCL and PostScript bar code commands. This software can save hours by allowing programmers to visually select bar code types and characteristics.

## SAP R/3 Compatible

The Lexmark Forms and Bar Code Card provides SAP R/3 customers with an intelligent, self-contained solution without requiring additional fonts or server-based software. A supplied device type for SAP R/3 allows utilization of all functions of the bar code option, allowing businesses to take control of bar code creation within their ERP system.

---

## MINIMUM SYSTEM REQUIREMENTS

The following system requirements are the minimum necessary to install Lexmark Forms Composer, Lexmark Forms Manager, and Lexmark Visual Bar Code Designer software.

|                         |  |
|-------------------------|--|
| <b>Operating System</b> | <ul style="list-style-type: none"><li>- Windows 2000 Professional SP4</li><li>- Windows XP Professional SP1</li><li>- Windows XP Professional SP2</li></ul>  |
| <b>PC Hardware</b>      | <ul style="list-style-type: none"><li>- Pentium processor-based personal computer</li><li>- 1GB RAM</li><li>- CD ROM drive</li><li>- 2-button mouse and 101-key keyboard</li><li>- 1GB of available hard drive space</li></ul> |

---

## BAR CODES AVAILABLE (FOR ELECTRONIC FORMS)

One-dimensional: 3 of 9, Code 39, Code 93, Codabar, 2 of 5, EAN/JAN-8, EAN/JAN-13, HIBC128, ISBN, ISSN, ITF14, JIS-S-UCC, MSI, Postnet 5, Postnet 9, Postnet 11, RSS, UCC-EAN 128, UPC-A, UPC-E, USS 128, UCC 128, Planet

Two-dimensional: Aztec, Codablock F, DataMatrix, EAN/UCC Composite, Maxicode, MicroPDF417, PDF417, QR

---

## BAR CODE FEATURES SUPPORTED (FOR PCL AND POSTSCRIPT DATA STREAMS)

- Visual Bar Code Designer eliminates trial and error to create the correct commands for a specific bar code in PCL and PostScript
- Support for International Printing for mySAP Business Suite font, Andale WorldType in UNICODE 3.0 UTF-8 format
- PCL and PostScript command access for bar codes in applications
- FREESCAPE emulation alternate escape code feature
- Capability to embed text with selectable positioning
- Data format verification and error reporting
- Automatic bar code data compression (when required)
- Automatic bar code checksum calculation and character placement (when required)
- Automatic placement of special characters (prefix, start/stop, guard bars, etc., when required)
- Selectable fonts and automatic scaling
- Automatic text printing with selectable placement
- Bar code 3 of 9 standard in Lexmark C78x, C935, T65x, W840, X65x, C78x, X85x and X94x products

---

## ONE-DIMENSIONAL BAR CODES (FOR PCL AND POSTSCRIPT DATA STREAMS)

- Australian Postal 4-State bar code, 37-CUST, 52-FF-MET, 67-FF-MET
- British Royal Mail 4-State Bar Customer (RM4SCC)
- Codabar
- Codabar + mod16 check digit
- Code 128 A, Code 128 B, Code 128 C
- Code 128 autoswitch
- Code 3 of 9
- Code 3 of 9 + check digit
- Code 3 of 9 space encoding
- Code 3 of 0 space encoding + check digit
- Code 3 of 9 extended
- Code 3 of 9 extended + check digit
- Code 93, Code 93 extended
- Danish PTT 3 of 9,
- Dutch Postal 4-State bar code
- EAN/JAN-13
- EAN/JAN-13 + 2-digit supplemental
- EAN/JAN-13 + 5-digit supplemental
- EAN/JAN-8
- EAN/JAN-8 + 2-digit supplemental
- EAN/JAN-8 + 5-digit supplemental
- French Postal 3 of 9 A/R
- German Postal 2 of 5 Identcode
- German Postal 2 of 5 Leitcode
- HIBC 39 PAS
- HIBC 39 SLS
- HIBC 128 PAS
- HIBC 128 SLS
- Industrial 2 of 5
- Industrial 2 of 5 + check digit
- Interleaved 2 of 5
- Interleaved 2 of 5 + check digit
- ISBN
- ISBN+5
- ISSN,
- ISSN+5
- ISSN+2
- ITF-14
- Japan Postal 4-State bar code
- Matrix 2 of 5
- Matrix 2 of 5 + check digit
- MSI (Plessey)
- MSI + mod 10 check digit
- MSI + mod10 + mod10 check digits
- MSI + mod11 + mod10 check digits
- MSI, MSI + mod10 check digits
- PLANET Code
- POSTNET 11-digit Delivery Point Code
- POSTNET 5-digit ZIP Code
- POSTNET 9-digit ZIP + 4 Code
- RSS-14
- RSS-14 Stacked
- RSS-14 Limited
- RSS-14 Expanded
- RSS-14 Truncated
- RSS-14 Stacked Omnidirectional
- Singapore Postal 4-State bar code for customer Encoding
- Swiss postal bar code
- UCC 128, EAN 128
- UPC-A
- UPC-A+2-digit supplemental
- UPC-A+5-digit supplemental
- UPC-E
- UPC-E+2-digit supplemental
- UPC-E+5-digit supplemental
- USPS FIM (Face Indicator Marking)
- USPS Expanded POSTNET
- USPS sack label, 8-digit 2 of 5
- USPS tray label, 10-digit 2 of 5

---

**TWO-DIMENSIONAL BAR CODES  
(FOR PCL AND POSTSCRIPT DATA STREAMS)**

- Codablock F
- Data Matrix
- PDF 417
- MicroPDF 417
- QR
- UPS MaxiCode

---

**COMPOSITE BAR CODES  
(FOR PCL AND POSTSCRIPT DATA STREAMS)**

- UPC-A
- UPC-E
- EAN
- UCC128
- RSS-14

---

**BAR CODE RELATED FONTS (FOR PCL AND POSTSCRIPT DATA STREAMS)**

Letter Gothic  
Code 3 of 9 - 4.69 pitch  
OCR-A  
OCR-A  
OCR-B  
Code 3 of 9 - 8.11 pitch  
EAN/UPC 10 mil

Scalable  
Bitmap  
Bitmap  
Scalable  
Scalable  
Bitmap  
Bitmap

EAN/UPC 13 mil  
USPS POSTNET  
Euro and other currency symbols  
Electrical symbols  
Manufacturing symbols  
Line Draw

Bitmap  
Bitmap  
Scalable  
Scalable  
Scalable  
Bitmap

---

**ORDERING INFORMATION**


---

**FORMS AND BAR CODE CARD**

|                   |           |
|-------------------|-----------|
| Lexmark E460dn    | 0034S0970 |
| Lexmark T650/T652 | 0030G0830 |
| Lexmark T654n     | 0030G0834 |
| Lexmark C73x      | 0021Z0363 |
| Lexmark C935      | 0021Z0363 |
| Lexmark X46x      | 0034S7721 |
| Lexmark X65x      | 0016M1254 |
| Lexmark X73x      | 00MS00497 |
| Lexmark X94x      | 0021Z0367 |

---

**BAR CODE CARD  
(DOES NOT INCLUDE ELECTRONIC FORMS CAPABILITIES)**

|               |         |
|---------------|---------|
| Lexmark C534  | 36B0140 |
| Lexmark C78x  | 10Z0400 |
| Lexmark W840  | 25A0036 |
| Lexmark X782e | 21J0577 |
| Lexmark X85xe | 15R0091 |

---

**FORMS CARD (DOES NOT INCLUDE PCL AND POSTSCRIPT BAR CODE CAPABILITIES)**

|               |         |
|---------------|---------|
| Lexmark C534  | 36B0144 |
| Lexmark C782  | 10Z0402 |
| Lexmark W840  | 25A0037 |
| Lexmark X782e | 21J0578 |
| Lexmark X85xe | 15R0094 |

---

**FORMS DESIGN AND MANAGEMENT SOFTWARE**


---

**FORMS AND BAR CODE CARD**

|  |         |
|--|---------|
| Lexmark Forms Composer and<br>Forms Manager CD | 16A1092 |
|--|---------|

# PrintCryption™ Application Solution



## High-Level Security Protection for Business

---

**Provides a higher level of security with minimal administrator support**

---

**Strengthens security for proprietary and confidential information when transmitted over a TCP/IP network**

---

**Supports secure key management protocols with session keys or persistent keys**

---

**Ideal for businesses handling sensitive or personal information, such as financial institutions, government agencies and healthcare organizations**

---

**AES encryption meets FIPS-197 requirements (Federal Information Processing Standard)**

The Lexmark PrintCryption™ Application Solution is designed to protect sensitive information as it is printed. The solution delivers encryption and decryption capabilities for secure printing to Lexmark network printers. This level of printing security is ideal for businesses that are handling highly confidential, personnel, financial, medical, technical or proprietary business information.

### Product overview

The PrintCryption™ Solution provides corporate environments with strengthened printing security.

It works with software from Levi, Ray and Shoup Inc. (LRS), VPS/TCPIP 8.0 or later, and VPS/Secure 8.0 or later to provide encrypted, end-to-end print job security between common mainframe and Windows systems and wired or wireless Lexmark network printers.

A command line utility (DCP) is used to encrypt print jobs for Linux, Sun Solaris, HP-UX and IBM AIX.

### Compatibility

The Lexmark PrintCryption™ Application Solution provides support for the Advanced Encryption Standard (Rijndael algorithm). The printer must be connected to the TCP/IP network using the standard Ethernet connection in the network printer models. Unique TCP/IP port numbers are used for the encrypted print information. The card decrypts and prints the information appropriate for the port.

The PrintCryption™ Application Solution for Lexmark network printers and multifunction devices is designed to provide security for proprietary and confidential documents.



PrintCryption document from PC



Printer enabled with PrintCryption



**ORDERING INFORMATION**

**CURRENT**

|                |           |
|----------------|-----------|
| Lexmark E460dn | 0034S0829 |
| Lexmark W840   | 0025A0034 |
| Lexmark T65x   | 0030G0829 |
| Lexmark C534   | 0036B0147 |
| Lexmark C73x   | 0030G0829 |
| Lexmark C78x   | 0010Z0403 |
| Lexmark C935   | 0021Z0366 |
| Lexmark X46x   | 0030G0829 |
| Lexmark X65x   | 0016M1254 |
| Lexmark X85xe  | 0015R0093 |
| Lexmark X73x   | 0030G0829 |
| Lexmark X94x   | 0021Z0370 |

**SUPPORTED**

|                               |           |
|-------------------------------|-----------|
| Lexmark T64x                  | 0020G0737 |
| Lexmark W812                  | 0014K0077 |
| Lexmark W820, X820e / X83xe   | 0016N3204 |
| Lexmark C77x                  | 0020B3204 |
| Lexmark C920                  | 0013N1343 |
| Lexmark X912e                 | 0012N1253 |
| Lexmark X642e                 | 0022G0626 |
| Lexmark X644e, X646e, X646dte | 0022G0350 |

**PACKAGE CONTENTS**

- Lexmark PrintCryption™ Card
- Installation instruction sheet (French, German, Italian, Spanish, English and Portuguese)
- CD-ROM with the license agreement, README in PDF format and encryption software. Use selected UNIX and Windows system environment.
- Encryption software is included to secure and support print data sent from supported systems: Sun Solaris (7, 8, 9), Linux (Red Hat 7, 8, Caldera 3.1, SuSE 8), Microsoft Windows (98, Me, NT 4.0, 2000 and XP), Apple Mac OS X, HP-UX 10, 11, and IBM AIX 4.3, 5.0.

**EXPORT RESTRICTIONS**

These products have been classified by the U.S. Bureau of Industry and Security under ECCN 5D002 (c.1) as retail PrintCryption items exportable to certain countries under License Exception ENC, Section 740.17 (b) (3) of the Export Administration Regulations.

These products are subject to U.S. export control laws and may be subject to export or import regulations in other countries. Licenses and approvals to export, re-export, or import this product may be required after delivery.

These products may not be exported or re-exported to any countries (or any nationals of such countries) that support international terrorism, including, but not limited to Cuba, Iran, Iraq, Libya, North Korea, Sudan and Syria.

These products may not be exported for use in the design, development, production or use of nuclear, biological or chemical weapons.

# IPDS and SCS/TNe Application Solution



## Affordable, Flexible Host-Based Printing

---

### AFP/IPDS or SCS printing over TCP/IP

---

### Supported in both monochrome and color laser printers

---

### Concurrent support for multiple data streams

---

### Supports resident scalable fonts

---

### Emulation of common IBM IPDS and SCS printers

---

### Provides traditional coax or twinax printing if needed

### The affordable application solution

Lexmark Application Solution for IPDS and SCS/TNe is an inserted card that provides customers a way to print all types of output, host-based or client-based, on their network-attached Lexmark laser printer or multifunction device. With the Lexmark Card for IPDS and SCS/TNe, businesses can use their printers and multifunction devices for both network printing and for IBM AS/400 or mainframe jobs. Printing bar codes, forms, publications and graphics can be done with ease. Now enterprises can realize the cost and time savings associated with true distributed printing.

### Assured compatibility

The Lexmark Application Solution for IPDS and SCS/TNe option for network-attached multifunction devices and printers provides IBM IPDS or SCS printer emulation. Without any changes to host applications or software, businesses will be able to direct their legacy output (AFP/IPDS or SCS) across their LANs using today's popular TCP/IP protocol. The solution is also compatible with IBM mainframe or IBM AS/400 applications that generate SCS (LU1) output or with applications that output AFP/IPDS through Print Services Facility (PSF).

### Configuration freedom

Maximize investment and productivity by locating your Lexmark multifunction device or printer whenever you need it, while boosting productivity. Thanks to Lexmark's SmartSwitch auto-emulation sensing built into almost all Lexmark printers, the printers will automatically switch to the proper document language, whether it is SCS, IPDS, PostScript or PCL emulation.

### Easy network attachment

With this Lexmark card option, customers can easily migrate from coaxial or twinaxial cable connections to Ethernet. To help in the process, Lexmark provides customers a range of both internal and external print servers and adapters for use on Fast Ethernet, 802.11g Wireless, Fiber and Token Ring networks. For those needing a traditional connection, the Coax/Twinax Adapter for SCS is also available.



The application solution designed for AFP/IPDS or SCS printing over TCP/IP to Lexmark network laser printers and multifunction devices.



## ORDERING INFORMATION

### CURRENT

|                   |           |
|-------------------|-----------|
| Lexmark W840      | 0025A0032 |
| Lexmark T650/T652 | 0030G0831 |
| Lexmark T654      | 0030G0834 |
| Lexmark C73x      | 0025C0434 |
| Lexmark C78x      | 0010Z0401 |
| Lexmark C935      | 0021Z0364 |
| Lexmark X466      | 0034S7720 |
| Lexmark X65x      | 0016M1254 |
| Lexmark X73x      | 00MS00498 |
| Lexmark X782e     | 0021J0579 |
| Lexmark X85xe     | 0015R0092 |
| Lexmark X94x      | 0021Z0368 |

### SUPPORTED

|                               |         |
|-------------------------------|---------|
| Lexmark T64x                  | 20G0738 |
| Lexmark C920                  | 13N1341 |
| Lexmark X644e, X646e, X646dte | 22G0351 |
| Lexmark X912e                 | 12N1729 |

## COAX/TWINAX ADAPTER

### CURRENT

|               |         |
|---------------|---------|
| Lexmark W840  | 14S0240 |
| Lexmark C78x  | 10Z0401 |
| Lexmark C935  | 21Z0364 |
| Lexmark X85xe | 14S0240 |
| Lexmark X94x  | 21Z0368 |

### SUPPORTED

|               |         |
|---------------|---------|
| Lexmark T64x  | 14S0240 |
| Lexmark W812  | 14K0076 |
| Lexmark C912  | 12N1764 |
| Lexmark X912e | 12N1729 |

## MEMORY REQUIREMENTS

6MB minimum

## NETWORK ATTACHMENT

### Hardware

- Standard Ethernet (100BaseTX/10BaseT)
- Network printer port
- MarkNet N2000, N2100, N8000 series of network print servers
- MarkNet X2000 (AFP/IPDS only)

### Software for AFP/IPDS printing over:

- TCP/IP PSF/MVS V2.2 or later
- PSF/MVS V3.1 or later
- PSF/VSE Version 2.2 with APAR/PTF: DY45247/JD51162
- PSF/VM Version 2.1 with APAR PQ39895 (PTF UQ45995)
- IBM iSeries or AS/400 OS/400 V3R1, V3R2, V3R6, V3R7, V4R1, V4R2, V4R3, V4R4, V5R1, V5R2 or later through PSF
- PSF for OS/2 (PSF/2) 2.0
- PSF for AIX (PSF/6000) 2.1 or later

### Software for SCS LU1 printing using a gateway and TCP/IP

If TN3270E or TN5250 capable SNA gateway software supports the TN3270E or TN5250 protocol according to RFC 2355, then a TN3270E or TN5250 session can be used to print SCS jobs directly from a mainframe, or AS/400 TN3270E or TN5250 session can be used to print SCS jobs directly from a mainframe or AS/400

### Software for SCS LU1 printing over TCP/IP

- IBM iSeries or AS/400 for TN5250E SCS LU1 printing as an IBM 3812-01 printer: IBM iSeries or AS/400 OS/400 V3R7 or later with all PTFs applied
- IBM Mainframe for TN3270E SCS (LU1) printing as an IBM 3287 printer: IBM Communications Server (CS) for OS/390 Version 2 Release 5 or later on ESA systems
- TCP/IP for MVS Version 3 Release 2 or later
- TCP/IP for VM/ESA Version 2 Release 4 or later (function level 310 or later)
- TCP/IP for VSE/ESA V1 R3 or later using General Print Server Feature
- Using Cisco 7500 Series routers

## DIRECT TWINAXIAL ATTACHMENT(1)

### Hardware

- IBM 3174 Control Unit
- ES/9000 Work Station Subsystem Controller Software

### Any application or host software that generates the data stream for one of the emulated printers such as:

- PSF/MVS V2.2 or V3.1 or later
- PSF/VSE V2.2.1, 2.2.0

- PSF/VM V2.1.1, 2.1.0 (with maintenance)
- VTAM Printer Support R70 or later (VPS, VPS/IPDS Levi, Ray and Shoup software)
- GDDM V2.3 with APAR
- RSCS V3.2 or later

## DIRECT COAXIAL ATTACHMENT(1)

### Hardware

- IBM iSeries or AS/400e servers, e-systems or Twinaxial Workstation Controllers
- 5494 or 5394 Remote Control Unit

### Software

- AS/400 PSF/400 V3R1 to V5R2
- AS/400 OS/400 V3R1 to V5R2
- AS/400 OS/400 V3R6 with System Support Program (SSP) Release 7.5(2)
- AS/400 SSP Release 7.1(2)

(1) Requires Coax/Twinax Adapter for SCS p/n 11K4120. (2) PDS Advanced Function PRPQ required

# Lexmark Print Servers

## Six great reasons to connect with Lexmark



### Cost efficiency

Network printing is smart for every business's bottom line. By connecting your printer with a Lexmark print server, you can significantly boost workflow efficiency, drive down capital expenses, save money on supplies and consumables, and reduce maintenance intervention.

### Optimal performance

Now you can leverage all the power and performance of your Lexmark printer, no matter what type of network you have. You can also break free from cables with Lexmark's Wi-Fi CERTIFIED 802.11n draft 2.0 and 802.11g wireless print servers, which let you place your printers wherever they're most productive for your business.

### Top-notch security

For greater peace of mind, Lexmark's N8000 and N8100 series are equipped with the latest 802.1x authentication methods to ensure your applications are protected. Plus, our MarkNet N8150 802.11n draft 2.0 or N8050 802.11g wireless print server offers WPA-Enterprise security for high-level data protection, password controls, user restrictions and much more.

---

## INTERNAL PRINT SERVERS

Boost business productivity by attaching your Lexmark devices directly to your network with one of these high-performance print servers. There's one for every need, including Fast Ethernet, Gigabit Ethernet, Fiber, 802.11n draft 2.0 and 802.11g wireless.

### Fast Ethernet print server

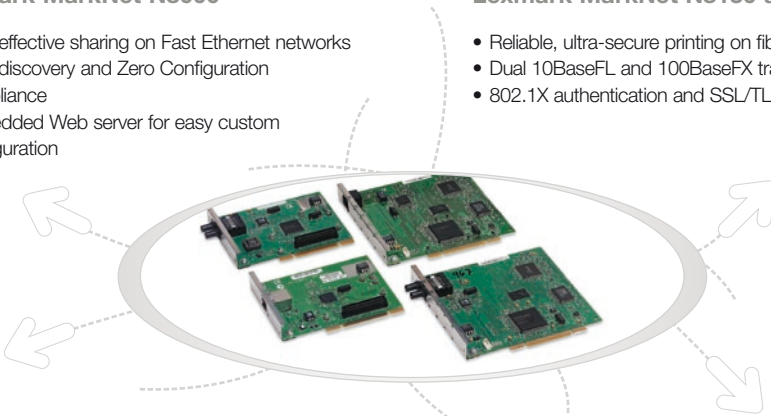
#### Lexmark MarkNet N8000

- Cost-effective sharing on Fast Ethernet networks
- Auto-discovery and Zero Configuration compliance
- Embedded Web server for easy custom configuration

### Fiber Ethernet print server

#### Lexmark MarkNet N8130 and N8030

- Reliable, ultra-secure printing on fiber networks
- Dual 10BaseFL and 100BaseFX transceivers
- 802.1X authentication and SSL/TLS security



### Gigabit Ethernet print server

#### Lexmark MarkNet N8120 and N8020

- High-speed performance for Gigabit Ethernet networks
- Compatible with both Fast and Gigabit Ethernet networks
- 802.1X authentication and SSL/TLS security

### 802.11 wireless print server

#### Lexmark MarkNet N8150 and N8050

- Wi-Fi CERTIFIED
- WPA-Enterprise security for high-level data protection
- Compatible with 802.11n draft 2.0/g/b (MarkNet N8150) and 802.11g/b (MarkNet N8050) products

### Simplified network management

Lexmark's internal and external print servers support Lexmark's award-winning MarkVision Professional software, which lets you easily manage your network of devices and enhances your efficiency with proactive tools such as automated e-mail alerts for low toner and paper.

### Very easy setup

Whether you're working in a Windows or Mac environment, you can benefit from auto-discovery and zero configuration to be up and running quickly, with virtually no interruption to your business. You can also use the embedded Web server for hassle-free custom configuration.

### Flexible and future-proof

In addition to being compatible with multiple network types, Lexmark servers support most standards and applications, including TCP/IP, IPP, IPX/SPX and AppleTalk printing. For further investment protection, you can also upgrade easily to the latest features, using downloadable firmware updates.



## EXTERNAL PRINT SERVERS

Lexmark's external print servers offer businesses an easy and affordable way to place a Lexmark or third-party laser, inkjet or dot matrix printer in just about any major network environment.

### Fast Ethernet

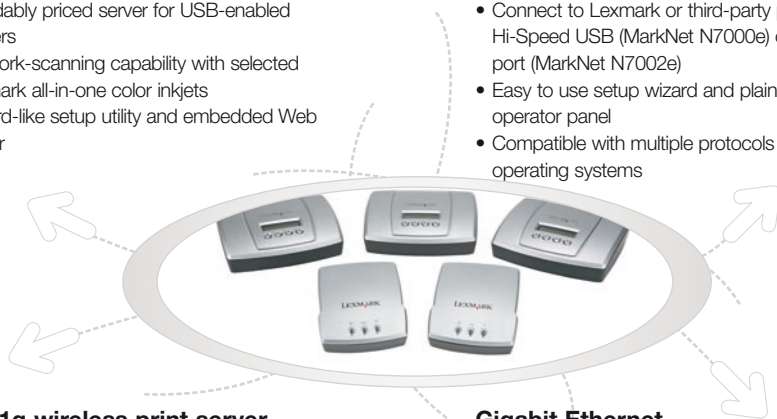
#### Lexmark N4000e

- Affordably priced server for USB-enabled printers
- Network-scanning capability with selected Lexmark all-in-one color inkjets
- Wizard-like setup utility and embedded Web server

### Fast Ethernet

#### Lexmark MarkNet N7000e and N7002e

- Connect to Lexmark or third-party printers via Hi-Speed USB (MarkNet N7000e) or parallel port (MarkNet N7002e)
- Easy to use setup wizard and plain-text LCD operator panel
- Compatible with multiple protocols and operating systems



### 802.11g wireless print server

#### Lexmark N4050e

- Easy setup via USB connection
- WPA (Wi-Fi Protected Access) Personal Security
- Network scanning capability with selected Lexmark all-in-one color inkjets

### Gigabit Ethernet

#### Lexmark MarkNet N7020e

- Connects to Lexmark or third-party printers via four Hi-Speed USB ports
- Printer pooling
- Advanced network management with MarkVision Professional

# Lexmark Print Servers

## Internal Print Servers

| NETWORK CAPABILITIES   | MARKNET N8000 SERIES  | MARKNET N8100 SERIES   |
|--|---|--|
| <b>Network Printing Methods</b>  |   |  |
| LPR/LPD  | ●   | ●  |
| Direct IP (Port 9100)  | ●   | ●  |
| Socket (Raw TCP/IP)  | ●   | ●  |
| IPP 1.0 (Internet Printing Protocol)   | ●   | ●  |
| IPP 1.1  |   | ●  |
| HTTP   | ●   |  |
| Lexmark Enhanced TCP/IP Print Port (port 9400)   | ●   | ●  |
| NDS Queue-based printing   | ●   | ●  |
| NDPS/NEPS (Novell Distributed Print Services, Novell Netware Enterprise Print Solutions) | ●   | ●  |
| <b>Browser Supported</b>   |   |  |
| Microsoft Internet Explorer 5.x, 6.x (or later)  | ●   | ●  |
| Netscape Navigator 6.x, 7.x (or later)   | ●   | ●  |
| Apple Mac OS X Safari 1.0 (or later)   | ●   | ●  |
| Mozilla FireFox 1.0 (or later)   | ●   | ●  |
| <b>Protocols</b>   |   |  |
| TCP/IP (IPv4)  | ●   | ●  |
| NetWare (IPX/SPX)  | ●   | ●  |
| AppleTalk  | ●   | ●  |
| LexLink (DLC/LLC)  | ●   | ●  |
| IPv6   | ●   | ●  |
| <b>Advanced Security Features</b>  |   |  |
| SSL Enabled Embedded Web Server  | ●   | ●  |
| SNMPv3   | ●   | ●  |
| TCP/IP port access control   | ●   | ●  |
| Authenticated & encrypted MarkVision Professional communication                          | ●   | ●  |
| 802.1x Authentication: MD5, MSCHAPv2, LEAP, PEAP, TLS, TTLS                              | ●   | ●  |
| WEP Encryption (64- and 128-bit key)   | ●   | ●  |
| WPA™ - Personal  | ●   | ●  |
| WPA™ - Enterprise  | ●   | ●  |
| WPA™2 - Personal   |   | ●  |
| WPA™2 - Enterprise   |   | ●  |
| <i>Function may vary by printer or MFP</i>   |   |  |
| <b>Product Compatibility</b>   |   |  |
|  | T64x, W84x, C524n, C534n, C78x, C9x, X64x, X85x, X94x ( Also, C510, C752, C76x, C920, T63x, T64x for MarkNet N8000)   | T65x, X46x, X65x, C73x, X73x   |
| <b>MarkVision Supported</b>  |   |  |
|  | Yes   | Yes  |
| <b>Upgradeable Firmware</b>  |   |  |
|  | Yes   | Yes  |
| <b>Operating Systems Supported</b>   |   |  |
|  | Microsoft Windows (98 2nd edition, 2000, NT, ME, XP, Server 2003), Novell Netware (3.2, 4.2, 5.x and 6.x with iPrint, NDPS), Red Hat Enterprise Linux WS 3.0, 4.0, SuSE Linux Enterprise Server 8.0, 9.0, SuSE Linux Professional 9.0, 9.1, 9.2, Debian GNU/Linux 3.0, Linspire Linux 4.5, HP-LUX 11.00, 11.11, IBM AIX 5.1, 5.2, 5.3, IBM series, Apple Mac OS X, OS 9.x | Microsoft Windows (98 2nd edition, 2000, NT, ME, XP, Server 2003, Server 2008), Novell Netware (3.2, 4.2, 5.x and 6.x with iPrint, NDPS), Red Hat Enterprise Linux WS 3.0, 4.0, SuSE Linux Enterprise Server 8.0, 9.0, SuSE Linux Professional 9.0, 9.1, 9.2, Debian GNU/Linux 3.0, Linspire Linux 4.5, HP-LUX 11.00, 11.11, IBM AIX 5.1, 5.2, 5.3, IBM series, Apple Mac OS X, OS 9.x |

Specifications are subject to change without notice. Lexmark, Lexmark with diamond design is trademark of Lexmark International, Inc. registered in the United States and or other countries. All other trademarks are the properties of their respective owners.

# External Print Servers

| NETWORK CAPABILITIES  | N4000 SERIES  | MARKNET N7000E<br>MARKNET N7002E  | MARKNET N7020E  |
|---|---|---|---|
| <b>Network Printing Methods</b>   |   |   |   |
| LPR/LPD   | ●   | ●   | ●   |
| Direct IP (Port 9100)   | ●   | ●   | ●   |
| IPP 1.0   | ●   | ●   | ●   |
| IPP 1.1   |   | ●   | ●   |
| HTTP  | ●   | ●   | ●   |
| Lexmark Enhanced TCP/IP Print Port (port 9400)  |   | ●   | ●   |
| NDS Queue-based printing  |   | ●   |   |
| NDPS/NEPS (Novell Distributed Print Services,<br>Novell Network Enterprise Print Solutions) |   | ●   | ●   |
| <b>Browser Supported</b>  |   |   |   |
| Microsoft Internet Explorer 5.x, 6.x (or later)   | ●   | ●   | ●   |
| Netscape Navigator 6.x, 7.x (or later)  | ●   | ●   | ●   |
| Apple Mac OS X Safari 1.0 (or later)  | ●   | ●   | ●   |
| Mozilla FireFox 1.0 (or later)  | ●   | ●   | ●   |
| <b>Protocols</b>  |   |   |   |
| TCP/IP (IPv4)   | ●   | ●   | ●   |
| IPv6  |   | ●   | ●   |
| NetWare (IPX/SPX)   |   | ●   |   |
| AppleTalk   |   | ●   |   |
| <b>Advanced Security Features</b>   |   |   |   |
| SSL Enabled Embedded Web Server   |   | ●   | ●   |
| SNMPv3  |   | ●   | ●   |
| TCP/IP port access control  |   | ●   | ●   |
| Authenticated & encrypted MarkVision Professional communication                             |   | ●   | ●   |
| 802.1x Authentication: MD5, MSCHAPv2, LEAP, PEAR, TLS, TTLS                                 |   | ●   | ●   |
| WEP Encryption (64- and 128-bit key)  | ●   |   |   |
| WPA™ - Personal   | ●   |   |   |
| IPSec   |   | ●   | ●   |
| WPA™ - Enterprise   |   |   |   |
| <b>Product Compatibility</b>  |   |   |   |
|   | All USB enabled printers  | All USB enabled printers for MarkNet N7000e, and all parallel port printers for MarkNet N7002e  | All USB enabled printers  |
| <b>MarkVision Supported</b>   |   |   |   |
|   | No  | Yes   | Yes   |
| <b>Upgradeable Firmware</b>   |   |   |   |
|   | Yes   | Yes   | Yes   |
| <b>Operating Systems Supported</b>  |   |   |   |
|   | Microsoft Windows (95, 98, Me, NT 4.0, 2000, XP and Server 2003), Apple Mac OS X (10.2 or later - Apple Zero Configuration compatible), Red Hat and SuSE Linux and HP-UX, IBM AIX and Sun Solaris | Microsoft Windows (98 2nd edition, 2000, NT, ME, XP, Server 2003), Novell Network (3.2, 4.2, 5.x and 6.x, 6.x with iPrint, NDPS), Red Hat Enterprise Linux WS 3.0, 4.0, SuSE Linux Enterprise Server 8.0, 9.0, SuSE Linux Professional 9.0, 9.1, 9.2, Debian GNU/Linux 3.0, Linspire Linux 4.5, HP-UX 11.00, 11.11, IBM AIX 5.1, 5.2, 5.3, IBM series, Apple Mac OS X, OS 9.x | Microsoft Windows (98 2nd edition, 2000, NT, ME, XP, Server 2003), Novell Network (5.x and 6.x, 6.x with iPrint, NDPS), Red Hat Enterprise Linux WS 3.0, 4.0, SuSE Linux Enterprise Server 8.0, 9.0, SuSE Linux Professional 9.0, 9.1, 9.2, Debian GNU/Linux 3.0, Linspire Linux 4.5, HP-UX 11.00, 11.11, IBM AIX 5.1, 5.2, 5.3, IBM series, Apple Mac OS X |

# MarkVision Professional



## Powerful Remote Printer and Multifunction Device Management

---

### Proactive monitoring

- Real-time remote operator panel and printer status
- Real-time filterable notification of printer conditions
- Perform tasks automatically depending on printer conditions

---

### Confidence for your help desk

- Monitors printers and MFPs from other manufacturers as well
- Apply enhanced secure communications settings quickly
- Install and configure multiple devices simultaneously

---

### Simple, flexible interface

- Customize most important tasks on a single home page
- Group devices logically by any criteria using dynamic filters
- Find printers easily and quickly using multiple methods

### Proactive real-time remote management

MarkVision Professional is designed to reduce the overall cost of network printing services while increasing the availability and variety of printing resources for all users. With more and more print devices distributed across organizations, the need for a printer and multifunction device management tool has become even more critical. MarkVision Professional makes it easy to set up, manage and maintain your printers and multifunction devices, while increasing productivity across your enterprise.

### A solution that satisfies IT and your help desk

MarkVision Professional gives you the ability to monitor, configure and manipulate networked printers and multifunction devices throughout your enterprise (including those at different sites) in real time from one central point or through a Web browser.

### Go one step further and automate processes!

Inside MarkVision Professional, the MarkVision Messenger listens for certain printer events to occur then automatically sends alerts if those conditions arise. Notifications are sent in real time via e-mail, paging or other applications, thereby facilitating automated responses and enhancing administrators' quality of service and improving user productivity.

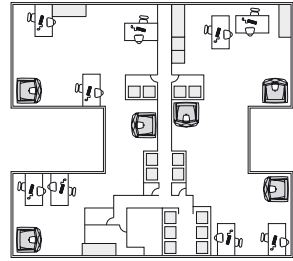
### Too many printers, too little time?

MarkVision Professional lets you organize your printers into a tree-like structure similar to an organizational chart. In this way, you can locate and monitor devices quickly and easily.

A home task page allows administrators to create groups of tasks by adding or removing tasks to fit the organization's needs.

When you have many printers on your network, it is essential to have the capability to choose and view mission-critical devices or priority printer conditions that you specify. MarkVision Professional helps you work more efficiently by automatically grouping devices into folders based on real-time status alerts or filters.

The MarkVision Professional™ device management utility increases end-user productivity while reducing IT and help desk support costs through easy-to-use remote problem prevention and resolution.



### SERVER AND CLIENT ENVIRONMENTS SUPPORTED

For information regarding new releases of MarkVision Professional, including new features and technical updates, please visit [www.lexmark.com](http://www.lexmark.com).

#### Apple Macintosh Operating Systems Supported

- Mac OS X 10.4 (or higher)

#### Microsoft Windows Server and Client Operating Systems Supported

- Microsoft Windows 98SE/Me (Client only)
- Microsoft Windows NT 4.0 (Client only)
- Microsoft Windows 2000
- Microsoft Windows XP SP2 -32 bit
- Microsoft Windows 2003 Server SP1 -32 bit

#### Linux Operating Systems Supported

- Red Hat Enterprise 4.0
- SuSE Linux Professional 9
- SuSE Linux Professional 10

#### Linux Operating Systems Supported

- HP/UX 11.11
- IBM AIX 5.2, 5.3
- Sun Solaris SPARC 8, 9, 10

### FEATURES SUPPORTED

- Plug-in support for new devices and functions to reduce need for re-installing the software
- Customizable user interface
- Remote printer monitoring and management
- Real-time proactive alerts with filtering
- User accounts and groups
- Dynamic device folders and filters
- Quick printer find
- Scheduled tasks
- Automatic TCP/IP and IPX discovery
- Management of other manufacturers' printers
- Links to multiple Web pages
- Runs as an application or in a browser
- Customizable home task page

### LEXMARK CONNECTIVITY SUPPORTED

- MarkNet N2000, N8000 and X2000 and N7000 Series print servers

### NETWORK PRINTERS SUPPORTED

#### Full bi-directional (NPAP)

- Opra Family of Laser Printers
- Lexmark E323n, E332n, E36x, E46x
- Lexmark T, C, W
- Lexmark MFP range - X422, X50x, X52x, X62x, X63x, X65x, X720, X750e, X752e, X762e, X772, X782e, X83xe, X85xe, X912e, X94xe

#### Using SNMP (for the full list please read the MarkVision Professional User Guide)

- Any common-MIB compliant printer or MFP
- Specific support is provided for:
  - Brother HL-1470N Series
  - Brother HL-1650/1670N Series
  - Brother HL-2460 Series
  - Canon GP 200D
  - Canon Image Class 2100
  - Canon imageRUNNER 330/400, 500, 600, Canon 2800 and 5000i
  - HP 2000, 2500C
  - HP 8550MFP, 8550GM, 2250TN
  - HP Colour LaserJet 4550, 8500
  - HP Colour LaserJet 2500, 3700, 5500, 4600
  - HP LaserJet 4100 Series and 4100 MFD

- IBM Infoprint 20, 21
- IBM Network Printer 12, 17
- Konica KL-3015
- Kyocera FS-1700/1750, FS-3700+/3750, FS-7000/9000/9000DN- Kyocera FS 1800/3800
- Minolta Colour PageWorks, PageWorks 20
- Minolta-QMS Magicolor 2200 and 3100
- NEC SuperScript 1800
- QMS Magicolour 2, 6100
- Ricoh Aficio 450/455, 550, 650, 750, 850, 180, 270, modem 1045
- Ricoh Aficio 350/355
- Ricoh AP3800C Series
- Tektronix Phaser 350, 550, 560, 740E, 780GN, 840DX, 750dx, 750, 850
- Xerox DocuColour 4CP
- Xerox DocuColour 2006
- Xerox Document Centre 220ST, 230ST, 240ST, 440six, 332ST, 340ST, 265ST
- Xerox DocuPrint 4512, C55/C55mp

# There are a million reasons to choose Original Lexmark Supplies



And the best reason is because that's how much Lexmark invests in R&D.

JANET  
Lexmark Engineer

While third-party cartridge remanufacturers often make wild claims about cost savings, they can't claim to be experts in printer technology. That's because Lexmark invests hundreds of millions each year in research and development to ensure our supplies work perfectly together with our printers, delivering you trouble-free performance, superior quality and consistent results. That's what we call a formula for success!

[www.lexmark.com](http://www.lexmark.com)

75% of the world's top banks, retailers and pharmacies use Lexmark



# Lexmark Supplies your printer's best friend

How can you ensure outstanding results from your Lexmark printers and MFPs? Insist on Original Lexmark Supplies. Lexmark products and supplies are designed to perform best together. From the first page to the last, you'll get reliable performance and great print quality, while enjoying the peace of mind that comes from knowing your investment is protected.

Feel good about the environment when you use Original Lexmark Supplies. High-capacity toner cartridges let you run longer between cartridge changes while reducing the number of cartridges you will use over the life of the printer. In addition, recycling your empty cartridges is easy and free with the Lexmark Cartridge Collection Program.



## Easy to buy

Lexmark cartridges maximize uptime while keeping page costs low.

- Lexmark High Yield and Lexmark Extra High Yield laser cartridges produce more pages than our regular cartridges, offering the lowest possible cost per page.
- Save even more with Lexmark Return Program Toner Cartridges, which are sold at a discount in exchange for your agreement to return them only to Lexmark when empty.



## Easy to own

You can count on Original Lexmark Supplies to deliver great results.

- All Lexmark cartridges are designed and manufactured to demanding standards and backed by a lifetime guarantee.
- Lexmark cartridges install easily, cleanly and in seconds. You'll experience outstanding consistency, accuracy and sharp images.



## Easy on our planet

It's easy to be green with Lexmark's innovative cartridge recycling program.

- To recycle your empty toner cartridge, simply place it back in its original box and mail it using the pre-paid return label provided.
- Lexmark is proud to practice zero landfill for all our cartridges, reusing or recycling 100 percent of all the cartridges our customers return.



# Lexmark Compatibility Table and Options

| DESCRIPTION  |  | PART #  | MODEL   |
|--|--|---------|---|
| <b>PAPER HANDLING</b>                                      |  |         |   |
| 150-Sheet Paper Tray                                       |  | 3080199 | X850, X9575   |
| 2 x 500-Sheet Drawer                                       |  | 15R0146 | W840/dn/n, X850e  |
| 2,000-Sheet High Capacity Feeder                           |  | 27S2400 | C734dn/dm/n/h, C736dn/dtm/n, X734de, X736de, X738de/dte   |
| 200-Sheet Lockable Universally Adjustable Tray with Drawer |  | 30G0836 | T650dn/dtm/n, T652dn/dtm/n, T654dn/dtm/n, X651de, X652de, X654de, X656de/dte  |
| 200-Sheet Universally Adjustable Tray                      |  | 20G1224 | Clinical Assistant, Education Station, Legal Partner, T640/dn/dm/n/h, X642e, X644e, X646dte/e                                   |
| 200-Sheet Universally Adjustable Tray with Drawer          |  | 20G1223 | Clinical Assistant, Education Station, Legal Partner, T640/dn/dtm/n/h, T644/dm/dtm/n/h, X642e, X644e, X646dte/e                 |
| 200-Sheet Universally Adjustable Tray with Drawer          |  | 30G0871 | T690dn/dm/n, T652dn/dtm/n, T654dn/dtm/n, X651de, X652de, X654de, X656de/dte   |
| 2000-Sheet Dual Input                                      |  | 15R0120 | W840/dn/n, X850e  |
| 2000-Sheet High Capacity Feeder                            |  | 20B2700 | C772dn/dm/n, C782dn/dm XL/dtm XL/h/n XL   |
| 2000-Sheet High Capacity Feeder                            |  | 20G0892 | Clinical Assistant, Education Station, Legal Partner, T640/dn/dm/n/h, T642/dm/dtm/n/h, T644/dm/dtm/n/h, X642e, X644e, X646dte/e |
| 2000-Sheet High Capacity Feeder                            |  | 30G0804 | T690dn/dm/n, T652dn/dtm/n, T654dn/dtm/n, X651de, X652de, X654de, X656de/dte   |
| 2400, 2500 Cut Sheet Output Support Stand                  |  | 12T0697 | 2480, 2481, 2490, 2491, 2580/n, 2581/n, 2590/n, 2591/n  |
| 250-Sheet Drawer   |  | 20G0889 | Clinical Assistant, Education Station, Legal Partner, T640/dn/dm/n/h, T642/dm/dtm/n/h, T644/dm/dtm/n/h, X642e, X644e, X646dte/e |
| 250-Sheet Drawer   |  | 26H0000 | T430/d/dn/dm  |
| 250-Sheet Drawer   |  | 30G0800 | T690dn/dm/n, T652dn/dtm/n, T654dn/dtm/n, X651de, X652de, X654de, X656de/dte   |
| 250-Sheet Drawer   |  | 34S0250 | E260/d/dn, E360/dn, E460/dn/dw, X264dn, X3633dn, X364dn/dw, X463de, X464de, X466de/dte/dwe                                      |
| 250-Sheet Duplex Unit                                      |  | 20G0887 | T640/n/h  |
| 250-Sheet Duplex Unit                                      |  | 30G0806 | T650n   |
| 250-Sheet Legal Tray                                       |  | 22R0195 | C500n, X500n, X502n   |
| 250-Sheet Primary Tray                                     |  | 26H0350 | T430/d/dn/dm  |
| 250-Sheet Tray   |  | 20G0879 | T640/dm/dtm/n/h   |
| 2520-Sheet High Capacity Feeder Stand                      |  | 21Z0304 | C935dn  |
| 2x550-Sheet Drawer Printer Stand                           |  | 13M1782 | C920/dn/dtm/h   |
| 3500-Sheet Finisher (3-Hole)                               |  | 21Z0308 | C935dn/dm/dtm/hdn, X940e, X945e   |
| 3x520-Sheet Drawer Stand                                   |  | 21Z0305 | C935dn  |
| 4.8 inch (12.2 cm) Spacer                                  |  | 27S2190 | C734dn/dm/dw/n, C736dn/dtm/n, X734de, X736de, X738de/dte  |
| 400-Sheet Lockable Universally Adjustable Tray with Drawer |  | 30G0859 | T690dn/dm/n, T652dn/dtm/n, T654dn/dtm/n, X651de, X652de, X654de, X656de/dte   |
| 400-Sheet Universally Adjustable Tray                      |  | 20G1217 | Clinical Assistant, Education Station, Legal Partner, T642/dn/dm/n/h, T644/dm/dtm/n/h, X642e, X644e, X646dte/e                  |
| 400-Sheet Universally Adjustable Tray with Drawer          |  | 20G1218 | Clinical Assistant, Education Station, Legal Partner, T640/dn/dm/n/h, T642/dm/dtm/n/h, T644/dm/dtm/n/h, X642e, X644e, X646dte/e |
| 400-Sheet Universally Adjustable Tray with Drawer          |  | 30G0860 | T690dn/dm/n, T652dn/dtm/n, T654dn/dtm/n, X651de, X652de, X654de, X656de/dte   |
| 42ZPlus Automatic Sheet Feed (wide)                        |  | 12T0694 | 2481, 2491, 2581/n, 2591/n, 42Z7 plus   |

# Lexmark Compatibility Table and Options

| DESCRIPTION   | PART #  | MODEL  |
|---|---------|--|
| <b>PAPER HANDLING</b>                                   |         |  |
| 5 inch (12.7 cm) Spacer                                 | 30G0854 | T6500n/dtm/n, T6520n/dtm/n, T6540n/dtm/n, X651tde, X6524e, X6544e, X6560e/dte  |
| 5-Bin Mailbox   | 20B3000 | C7720n/dtm/n, C7820n/dtm/n, C7820n/dtm XL/n/n XL   |
| 5-Bin Mailbox   | 20G0895 | T640/dn/dtm/n/n, T642/dn/dtm/n/n, T644/dn/dtm/n/n  |
| 5-Bin Mailbox   | 30G0862 | T6500n/dtm/n, T6520n/dtm/n, T6540n/dtm/n   |
| 500-Sheet Drawer  | 1882100 | C52n, C524/dn/n  |
| 500-Sheet Drawer  | 20B2300 | C7700n/n, C7720n/dtm/n, C7800n/n, C7820n/dn XL/dtm/dtm XL/n/n XL   |
| 500-Sheet Drawer  | 20G0880 | Clinical Assistant, Education Station, Legal Partner, T640/dn/dtm/n/n, T642/dn/dtm/n/n, T644/dn/dtm/n/n, X642e, X644e, X646dte/e |
| 500-Sheet Drawer  | 26H0002 | T430/d/dn  |
| 500-Sheet Duplex Unit                                   | 20G0888 | T642/n/n, T644/n/n, X642e, X644e, X646e  |
| 500-Sheet Tray  | 20B2373 | C7700n/dtm/n, C7720n/dtm/n, C7800n/dtm/n, C7820n/dn XL/dtm/dtm XL/n/n XL, X772e, X782e/e XL                                      |
| 500-Sheet Tray  | 20G0884 | Clinical Assistant, Education Station, Legal Partner, T640/dtm/n/n, T642/dtm/n/n, T644/dtm/n/n, X642e, X644e, X646dte/e          |
| 500-Sheet Tray  | 26H0003 | T4300tm  |
| 520-Sheet Drawer Stand with Cabinet                     | 21Z0307 | C9350n   |
| 550-Sheet Drawer  | 13N1778 | C920/dn/dtm/n  |
| 550-Sheet Drawer  | 16M1100 | X686de/dte/dme/dte/dte/dtme  |
| 550-Sheet Drawer  | 28S0602 | E240/n, E340, E342n  |
| 550-Sheet Drawer  | 28S0603 | E250/d/n, E350d, E352m, E450dn, X340n, X342n   |
| 550-Sheet Drawer  | 30G0802 | T6500n/dtm/n, T6520n/dtm/n, T6540n/dtm/n, X651tde, X6524e, X6544e, X6560e/dte  |
| 550-Sheet Drawer  | 34S0550 | E260/d/dn, E360/d/dn, E460/dn/dw, X264dn, X363dn, X364dn/dw, X463de, X4644e, X466de/dte/dwe                                      |
| 550-Sheet Drawer  | 36B1600 | C5320n/n, C5340n/n   |
| 550-Sheet Drawer Stand                                  | 14A1120 | X560n  |
| 550-Sheet Duo Drawer with 100-Sheet Multipurpose Feeder | 3000551 | C540n, C543dn, C544dn/dw/n, X543dn, X544dn/dtm/dw/n  |
| 550-Sheet Lockable Drawer                               | 30G0649 | T6500n/dtm/n, T6520n/dtm/n, T6540n/dtm/n, X651tde, X6524e, X6544e, X6560e/dte  |
| Adjustable Output Label Support                         | 20G1360 | T640/dn/dtm/n/n, T642/dn/dtm/n/n, T644/dn/dtm/n/n  |
| Automatic Sheet Feed (narrow)                           | 12T0693 | 2480, 2490, 2580/n, 2590/n   |
| Banner Media Tray                                       | 13N1360 | C920/dn/dtm/n  |
| Banner Media Tray                                       | 20B5000 | C7720n/dtm/n, C7820n/dtm/n, C7820n/dtm XL/n/n XL, X772e, X782e/e XL  |
| Booklet Finisher (2/3-Hole)                             | 15R0335 | X850e, X852e, X854e  |
| Booklet Finisher (3-Hole)                               | 21Z0309 | C9350n/dtm/dtm/hdn, X940e, X945e   |
| Duplex Unit   | 13N1783 | C920/n   |
| Duplex Unit   | 14A1121 | X560n  |

# Lexmark Compatibility Table and Options

| DESCRIPTION   |         | PART #   | MODEL |
|---|---------|--|-------|
| <b>PAPER HANDLING</b>                               |         |  |       |
| Duplex Unit   | 2082400 | C770n, C772n, C780n, C782n/n XL  |       |
| Duplex Unit   | 25A0015 | W840/n   |       |
| Envelope Drawer                                     | 1023100 | C782dn/dn XL/dm/dm XL/n/n XL   |       |
| Envelope Drawer                                     | 20B3100 | C772dn/dm/n  |       |
| Envelope Feeder                                     | 20G0091 | Clinical Assistant, Education Station, Legal Partner, T640/dn/dm/n/n/n, T642/dm/dm/n/n/n, T644/dm/dm/n/n/n, X642e, X644e, X646dte/e/ef                               |       |
| Envelope Feeder                                     | 30G0007 | T650n/dm/n, T652dn/dm/n, T654dn/dm/n, X658de/dte/dme/dte/dte/dte   |       |
| High Capacity Feeder                                | 13N1781 | C920/dm/dm/n, X912e  |       |
| High Capacity Output Stacker                        | 30G0853 | T650n/dm/n, T652dn/dm/n, T654dn/dm/n   |       |
| High-Capacity Output Stacker                        | 20G0896 | T640/dm/dm/n/n, T642/dm/dm/n/n, T644/dm/dm/n/n, T644/dm/dm/n/n   |       |
| Horizontal Kiosk Presenter                          | 11K4648 | T630/VE/dm/n/n VE, T632/dm/n/n, T634/dm/n/n, T640/dm/dm/n/n, T642/dm/dm/n/n, T644/dm/dm/n/n  |       |
| Kiosk Presenter                                     | 30G0880 | T650n/dm/n, T652dn/dm/n, T654dn/dm/n   |       |
| Outdoor Media Drawer                                | 20B3340 | C772dn/dm/n, C782/dm/dm XL/dm/dm XL/n/n XL   |       |
| Output Expander                                     | 20B3050 | C772dn/dm/n, C782/dm/dm XL/dm/dm XL/n/n XL   |       |
| Output Expander                                     | 20G0894 | T640/dm/dm/n/n, T642/dm/dm/n/n, T644/dm/dm/n/n, T644/dm/dm/n/n   |       |
| Output Expander                                     | 30G0851 | T650n/dm/n, T652dn/dm/n, T654dn/dm/n   |       |
| Staple Punch Finisher (3-Hole)                      | 13N1784 | C920/dm/dm/n   |       |
| StapleSmart Finisher                                | 20B3060 | C772dn/dm/n, C782/dm/dm XL/dm/dm XL/n/n XL   |       |
| StapleSmart Finisher                                | 20G0897 | T640/dm/dm/n/n, T642/dm/dm/n/n, T644/dm/dm/n/n   |       |
| StapleSmart II Finisher                             | 30G0850 | T650n/dm/n, T652dn/dm/n, T654dn/dm/n   |       |
| T 250-Sheet Duplex Unit                             | 10G0800 | Optra T610/T610n, T520/n, T630/VE/n/n VE, X520, X630   |       |
| T 250-Sheet Tray                                    | 11K1059 | Optra T610/T610n, T520/d/dm/n, T630/VE/dm/n/n VE, X520   |       |
| T 250-Sheet Universally Adjustable Tray             | 11K1574 | Optra T610/T610n, T520/d/dm/n, T630/VE/dm/n/n VE, X520   |       |
| T 250-Sheet Universally Adjustable Tray with Drawer | 11K1978 | Optra T610/T610n/T614/T614n/T614n/T616/T616n, T522/dm/n, T620/dm/n/n, T622/dm/n/n, T630/VE/dm/n/n VE, T632/dm/dm/n/n, X520, X522e, X620e, X630, X632e/e/s, X634dte/e |       |
| T 400-Sheet Universally Adjustable Tray             | 11K1941 | Optra T614/T614n/T614n/T616/T616n, T522/dm/n, T620/dm/n/n, T622/dm/n/n, T632/dm/dm/n/n, T634/dm/dm/n/n, X520, X522e, X634dte/dte/dte/dte/e                           |       |
| Tractor 2   | 12T0695 | 2480, 2490, 2580/n, 2590/n   |       |
| Tractor 2   | 12T0686 | 2481, 2491, 2581/n, 2591/n   |       |
| Tractor 2   | 13L0210 | 4Z27 plus  |       |
| Vertical Kiosk Presenter                            | 11K4647 | T630/VE/dm/n/n VE, T632/dm/n/n, T634/dm/n/n, T640/dm/dm/n/n, T642/dm/dm/n/n, T644/dm/dm/n/n  |       |



# Lexmark Compatibility Table and Options

| DESCRIPTION                   | PART #  | MODEL  |
|-------------------------------|---------|--|
| <b>MFP OPTIONS</b>            |         |  |
| MarkNet 18110V34 Fax Card     | 14F0052 | X4634de, X651 de   |
| <b>MEMORY OPTIONS</b>         |         |  |
| 1024MB DDR2-DRAM              | 1025043 | C734dn/dtn/dw/n, C736dn/dtn/n, T654dn/dtn/n, X560n, X651 de, X652de, X654de, X656de/dte/dme/dte/dfe/dtme, X734de, X736de, X738de/dte   |
| 128MB DDR-DRAM                | 13N1523 | C520n, C522n/n, C524/dn/dtn/n/n, C530dn, C532dn/n, C534dn/dtn/n, C770dn/dtn/n, C772dn/dtn/n, C780dn/dtn/n, C782dn/dn XL/dtn/dm XL/n/n XL, C920/dn/dtn/n, C935dn/dtn/dtn/hdn, Clinical Assistant, Education Station, Legal Partner, T640/dn/dtn/n/n, T642/dn/dtn/n/n, T644/dn/dtn/n/n, W840/dn/n, X642e, X644e, X646de/e/ef, X850e, X852e, X854e, X940e, X945e  |
| 128MB DDR1-DRAM               | 1022298 | C540n, C543dn, C544dn/dtn/dw/n, E260/d/dm, E360d/dm, E460dn/dw, T650dn/dw, T652dn/dtn/n, X4634de, X464de, X466de/dte/dwe, X543dn, X544dn/dtn/dw/n  |
| 128MB SDRAM DIMM              | 1021259 | E240n, E340, E342n/n, E350d, E352dn, E450dn  |
| 256MB DDR-DRAM                | 13N1524 | C520n, C522n/n, C524/dn/dtn/n/n, C530dn, C532dn/n, C534dn/dtn/n, C772dn/dtn/n, C770dn/dtn/n, C780dn/dtn/n, C782dn/dn XL/dtn/dm XL/n/n XL, C920/dn/dtn/n, C935dn/dtn/dtn/hdn, Clinical Assistant, Education Station, Legal Partner, T640/dn/dtn/n/n, T642/dn/dtn/n/n, T644/dn/dtn/n/n, W840/dn/n, X642e, X644e, X646de/e/ef, X850e, X852e, X854e, X940e, X945e  |
| 256MB DDR1-DRAM               | 1022299 | C540n, C543dn, C544dn/dtn/dw/n, E360d/dm, E460dn/dw, T650dn/dtn/n, T652dn/dtn/n, X4634de, X464de, X466de/dte/dwe, X543dn, X544dn/dtn/dw/n  |
| 256MB DDR2-DRAM               | 1025041 | C734dn/dtn/dw/n, C736dn/dtn/n, T654dn/dtn/n, X560n, X651 de, X652de, X654de, X656de/dte/dme/dte/dfe/dtme, X734de, X736de, X738de/dte   |
| 256MB Flash Card              | 14F0245 | C734dn/dtn/dw/n, C736dn/dtn/n, E460dn/dw, T650dn/dw, T652dn/dtn/n, T654dn/dtn/n, T654dn/dtn/n, X4634de, X464de, X466de/dte/dwe, X651 de, X652de, X654de, X656de/dte, X658de/dte/dme/dte/dfe/dtme, X734de, X736de, X738de/dte   |
| 256MB SDRAM DIMM              | 1021260 | E450dn, T430/d/dn/dtn  |
| 32MB Flash Card               | 1021208 | C520n, C522n/n, C524/dn/dtn/n/n, C530dn, C532dn/n, C534dn/dtn/n, C770dn/dtn/n, C772dn/dtn/n, C780dn/dtn/n, C782dn/dn XL/dtn/dm XL/n/n XL, C920/dn/dtn/n, C935dn/dtn/dtn/hdn, Clinical Assistant, E340, E342n/n, E350d, E352dn, E450dn, Education Station, Legal Partner, T640/dn/dtn/n/n, T642/dn/dtn/n/n, T644/dn/dtn/n/n, W840/dn/n, X642e, X644e, X646de/e/ef, X772e, X782e/e XL, X850e, X852e, X854e, X940e, X945e |
| 32MB SDRAM DIMM               | 1021257 | E238, E240/n/n, E250d/dm, E340, E342n/n, E350d, E352dn, E450dn   |
| 40+-GB Hard Disk              | 13N1530 | C524dn/dtn/n/n, C534dn/dtn/n, C770dn/dtn/n, C772dn/dtn/n, C780dn/dtn/n, C782dn/dn XL/dtn/dm XL/n/n XL, C920/dn/dtn/n, C935dn/dtn/dtn/hdn, T642/dn/dtn/n/n, T644/dn/dtn/n/n   |
| 40+-GB Hard Disk with Adaptor | 13N1541 | C520n, C522n/n, C524/dn/dtn/n/n, C530dn, C532dn/n, C534dn/dtn/n, C770dn/dtn/n, C772dn/dtn/n, C780dn/dtn/n, C782dn/dn XL/dtn/dm XL/n/n XL, C920/dn/dtn/n, C935dn/dtn/dtn/hdn, Clinical Assistant, Education Station, Legal Partner, T640/dn/dtn/n/n, T642/dn/dtn/n/n, T644/dn/dtn/n/n, W840/dn/n, X642e, X644e, X646de/e/ef, X850e, X852e, X854e, X940e, X945e  |
| 512MB DDR-DRAM                | 13N1526 | C520n, C522n/n, C524/dn/dtn/n/n, C530dn, C532dn/n, C534dn/dtn/n, C770dn/dtn/n, C772dn/dtn/n, C780dn/dtn/n, C782dn/dn XL/dtn/dm XL/n/n XL, C920/dn/dtn/n, C935dn/dtn/dtn/hdn, Clinical Assistant, Education Station, Legal Partner, T640/dn/dtn/n/n, T642/dn/dtn/n/n, T644/dn/dtn/n/n, W840/dn/n, X642e, X644e, X646de/e/ef, X850e, X852e, X854e, X940e, X945e  |

# Lexmark Compatibility Table and Options

| DESCRIPTION    |                              | PART #  | MODEL   |
|----------------|------------------------------|---------|---|
| MEMORY OPTIONS | 512MB DDR1-DRAM              | 1022301 | C540n, X543dn, C544dn/dtn/dw/n, E460dn/dw, T650dn/dtn/n, T652dn/dtn/n, X463de, X464de, X466de/dte/dtwe, X543dn, X544dn/dtn/dw/n   |
|                | 512MB DDR2-DRAM              | 1025042 | C734dn/dtn/dw/n, C736dn/dtn/n, T654dn/dtn/n, X560n, X651de, X652de, X654de, X656de/dte, X658de/dte/dtwe/dtme, X734de, X736de, X738de/dte  |
|                | 64MB Flash Card              | 1021209 | C520n, C522n/n, C524/dn/dtn/n/n, C530dn, C532dn/n, C534dn/dtn/n, C544dn/dtn/dw/n, C770dn/dtn/n, C772dn/dtn/n, C774dn/dtn/n, C782dn/dtn/n, C784dn/dtn/n, C920/dn/n XL, C920/dn/dtn/n, C935dn/dtn/n/hdn, Clinical Assistant, E360/dn, Education Station, Legal Partner, T640/dn/dtn/n/n, T642/dn/dtn/n/n, T644/dn/dtn/n/n, W640/dn/n, X264dn, X363dn, X364dn/dw, X543dn, X544dn/dtn/dw/n, X642e, X644e, X646de/dte/dt, X772e, X782e/e XL, X850e, X852e, X854e, X946e, X946e |
|                | 64MB SDRAM DIMM              | 1021268 | E238, E240/n/n, E250/dn, E340, E342n/n, E350d, E352dn, E450dn   |
|                | 80+GB Hard Disk              | 14F0102 | C734dn/dtn/dw/n, C736dn/dtn/n, T650dn/dtn/n, T652dn/dtn/n, T654dn/dtn/n, X463de, X464de, X651de, X652de, X654de, X734de, X736de, X738de/dte   |
|                | Japanese Font Card           | 1021243 | C520n, C522n/n, C524/dn/dtn/n/n, C530dn, C532dn/n, C534dn/dtn/n, C770dn/dtn/n, C772dn/dtn/n, C780dn/dtn/n, C782dn/dtn/n, C784dn/dtn/n, C920/dn/n XL, C920/dn/dtn/n, C935dn/dtn/n/hdn, Clinical Assistant, E340, E342n/n, E350d, E352dn, E450dn, Education Station, Legal Partner, T640/dn/dtn/n/n, T642/dn/dtn/n/n, T644/dn/dtn/n/n, W640/dn/n, X642e, X644e, X646de/dte/dt, X772e, X782e/e XL, X850e, X852e, X854e, X940e, X946e   |
|                | Japanese Font Card           | 30G0828 | C544dn/dtn/dw/n, C734dn/dtn/dw/n, C736dn/dtn/n, E260/dn, E360/dn, E460dn/dw, T650dn/dtn/n, T652dn/dtn/n, X463de, X464de, X466de/dte/dtwe, X543dn, X544dn/dtn/dw/n, X651de, X652de, X654de, X656de/dte, X658de/dte/dtwe, X734de, X736de, X738de/dte  |
|                | Korean Font Card             | 1021240 | C520n, C522n/n, C524/dn/dtn/n/n, C530dn, C532dn/n, C534dn/dtn/n, C770dn/dtn/n, C772dn/dtn/n, C780dn/dtn/n, C782dn/dtn/n, C784dn/dtn/n, C920/dn/n XL, C920/dn/dtn/n, C935dn/dtn/n/hdn, Clinical Assistant, E340, E342n/n, E350d, E352dn, E450dn, Education Station, Legal Partner, T640/dn/dtn/n/n, T642/dn/dtn/n/n, T644/dn/dtn/n/n, W640/dn/n, X642e, X644e, X646de/dte/dt, X772e, X782e/e XL, X850e, X852e, X854e, X940e, X946e   |
|                | Korean Font Card             | 30G0825 | C544dn/dtn/dw/n, C734dn/dtn/dw/n, C736dn/dtn/n, E260/dn, E360/dn, E460dn/dw, T650dn/dtn/n, T652dn/dtn/n, X463de, X464de, X466de/dte/dtwe, X543dn, X544dn/dtn/dw/n, X651de, X652de, X654de, X656de/dte, X658de/dte/dtwe, X734de, X736de, X738de/dte  |
|                | Simplified Chinese Font Card | 1021241 | C520n, C522n/n, C524/dn/dtn/n/n, C530dn, C532dn/n, C534dn/dtn/n, C770dn/dtn/n, C772dn/dtn/n, C780dn/dtn/n, C782dn/dtn/n, C784dn/dtn/n, C920/dn/n XL, C920/dn/dtn/n, C935dn/dtn/n/hdn, Clinical Assistant, E340, E342n/n, E350d, E352dn, E450dn, Education Station, Legal Partner, T640/dn/dtn/n/n, T642/dn/dtn/n/n, T644/dn/dtn/n/n, W640/dn/n, X642e, X644e, X646de/dte/dt, X772e, X782e/e XL, X850e, X852e, X854e, X940e, X946e   |
|                | Simplified Chinese Font Card | 30G0826 | C544dn/dtn/dw/n, C734dn/dtn/dw/n, C736dn/dtn/n, E260/dn, E360/dn, E460dn/dw, T650dn/dtn/n, T652dn/dtn/n, X463de, X464de, X466de/dte/dtwe, X543dn, X544dn/dtn/dw/n, X651de, X652de, X654de, X656de/dte, X658de/dte/dtwe, X734de, X736de, X738de/dte  |

# Lexmark Compatibility Table and Options

| MEMORY OPTIONS                |  | DESCRIPTION | PART #  | MODEL   |
|-------------------------------|--|-------------|---------|---|
| Traditional Chinese Font Card |  |             | 1021242 | C520n, C522n/tn, C524/dn/dtm/n/tn, C530dn, C532dn/n, C534-dn/dtb/n, C770dn/dtm/n, C772dn/dtm/n, C780dn/dtb/n, C782dn/dn XL/dtm/dtn XL/n/n XL, C920/dn/dtm/n, C935-dn/dtm/dtn/dtm/n/tn, Clinical Assistant, E340, E342n/tn, E350d, E352dn, E450dn, Education Station, Legal Partner, T640/dn/dtm/n/tn, T642/dn/dtm/n/tn, T644/dn/dtm/n/tn, W840/dn/n, X642e, X644e, X646dte/e/ef, X772e, X782e/e XL, X850e, X852e, X854e, X940e, X945e |
| Traditional Chinese Font Card |  |             | 3063027 | C544dn/dtm/dtn/dw/n, C734dn/dtm/dtn/h, C736dn/dtm/n, E260/d/dn, E360/d/dn, E460dn/dw, E460dn/dtm/n, E460dn/dtm/n, E460dn/dtm/n, E460dn/dtm/n, E460dn/dtm/dwe, X543dn, X544dn/dtm/dw/n, X651de, X652de, X654de, X656de/dte, X658de/dte/dtfe/dtme, X734de, X736de, X738de/dte   |
| APPLICATION SOLUTIONS         |  |             |         |   |
| Bar Code Card                 |  |             | 1020400 | C780dn/dtm/n, C782-dn/dn XL/dtm/dtm XL/n/n XL   |
| Bar Code Card                 |  |             | 13N1340 | C920dn/dtm/n  |
| Bar Code Card                 |  |             | 15R0091 | X850e, X852e, X854e   |
| Bar Code Card                 |  |             | 1880140 | C524/dn/dtm/n/tn  |
| Bar Code Card                 |  |             | 2083201 | C770dn/dtm/n, C772-dn/dtb/n   |
| Bar Code Card                 |  |             | 2060737 | T640dn/dtm/n/tn, T642dn/dtm/n/tn, T644-dn/dtm/n/tn  |
| Bar Code Card                 |  |             | 21J0347 | X646ef  |
| Bar Code Card                 |  |             | 21J0472 | X772e   |
| Bar Code Card                 |  |             | 21J0577 | X782e/e XL  |
| Bar Code Card                 |  |             | 2260350 | X644e, X646dte/e  |
| Bar Code Card                 |  |             | 2260626 | X642e   |
| Bar Code Card                 |  |             | 25A0036 | W840dn/n  |
| Bar Code Card                 |  |             | 26H0395 | T430/d/dn/dtm   |
| Bar Code Card                 |  |             | 33S0810 | E450dn  |
| Bar Code Card                 |  |             | 3680140 | C534-dn/dtm/n   |
| Bar Code and Forms Card       |  |             | 21Z0363 | C935dn/dtm/dtm/hdn  |
| Bar Code and Forms Card       |  |             | 21Z0367 | X940e, X945e  |
| Card for IPDS and SCS/The     |  |             | 1020401 | C780dn/dtm/n, C782-dn/dn XL/dtm/dtm XL/n/n XL   |
| Card for IPDS and SCS/The     |  |             | 13N1341 | C920dn/dtm/n  |
| Card for IPDS and SCS/The     |  |             | 16M1254 | X651de, X652de, X654de, X656de/dte, X658de/dte/dtfe/dtme  |
| Card for IPDS and SCS/The     |  |             | 2083202 | C770dn/dtm/n, C772-dn/dtb/n   |
| Card for IPDS and SCS/The     |  |             | 2060738 | T640dn/dtm/n/tn, T642dn/dtm/n/tn, T644-dn/dtm/n/tn  |
| Card for IPDS and SCS/The     |  |             | 21J0579 | X782e/e XL  |



# Lexmark Compatibility Table and Options

| DESCRIPTION                      |          | PART #  | MODEL |
|----------------------------------|----------|---|-------|
| <b>APPLICATION SOLUTIONS</b>     |          |   |       |
| Card for IPDS and SCS/7M/e       | 21720364 | C935dn/dtm/dtm/n/hn                               |       |
| Card for IPDS and SCS/7M/e       | 21720368 | X940e, X945e                                      |       |
| Card for IPDS and SCS/7M/e       | 25A0032  | W840dn/n  |       |
| Card for IPDS and SCS/7M/e       | 26H0396  | T430dn/dtm  |       |
| Card for IPDS and SCS/7M/e       | 30G0635  | T654dn/dtm/n                                      |       |
| Card for IPDS/SCS/7M/e           | 15R0082  | X850e, X852e, X854e                               |       |
| Card for IPDS/SCS/7M/e           | 21J0334  | X646ef  |       |
| Card for IPDS/SCS/7M/e           | 25G0434  | C734dn/dtm/dw/n, C736dn/dtm/n                     |       |
| Card for IPDS/SCS/7M/e           | 30G0831  | T650dn/dtm/n, T652dn/dtm/h                        |       |
| Card for IPDS/SCS/7M/e           | 94S7720  | X466de/dte/dtwe                                   |       |
| Card for IPDS/SCS/7M/e           | MS00498  | X734de, X736de, X738de/dte                        |       |
| Card for IPDS/SCS/7M/e Emulation | 22G0351  | X644e, X646de/e                                   |       |
| Card for PRESCRIBE Emulation     | 1020404  | C780dn/dtm/n, C782dn/dm XL/dtm/dm XL/n/n XL       |       |
| Card for PRESCRIBE Emulation     | 15R0095  | X850e, X852e, X854e                               |       |
| Card for PRESCRIBE Emulation     | 20B3205  | C770dn/dtm/n, C772dn/dtm/h                        |       |
| Card for PRESCRIBE Emulation     | 20G0739  | T640/dn/dtm/n/h, T642/dm/dtm/n/h, T644/dm/dtm/n/h |       |
| Card for PRESCRIBE Emulation     | 21J0346  | X646ef  |       |
| Card for PRESCRIBE Emulation     | 22G0354  | X644e, X646de/e                                   |       |
| Card for PRESCRIBE Emulation     | 25A0033  | W840/dm/n   |       |
| Card for PRESCRIBE Emulation     | 26H0398  | T430/d/dm/dtm                                     |       |
| Card for PRESCRIBE Emulation     | 33S8520  | E450dn  |       |
| Forms Card                       | 1020402  | C780dn/dtm/n, C782dn/dm XL/dtm/dm XL/n/n XL       |       |
| Forms Card                       | 13N1345  | C920dn/dtm/n                                      |       |
| Forms Card                       | 15R0094  | X850e, X852e, X854e                               |       |
| Forms Card                       | 1880144  | C524/dm/dtm/n/h                                   |       |
| Forms Card                       | 20B3206  | C770dn/dtm/n, C772dn/dtm/h                        |       |
| Forms Card                       | 20G0742  | T640/dm/dtm/n/h, T642/dm/dtm/n/h, T644/dm/dtm/n/h |       |
| Forms Card                       | 21J0345  | X646ef  |       |
| Forms Card                       | 21J0578  | X782e/e XL  |       |
| Forms Card                       | 22G0353  | X644e, X646de/e                                   |       |
| Forms Card                       | 22G0627  | X642e   |       |

# Lexmark Compatibility Table and Options

| DESCRIPTION   | PART #  | MODEL   |
|---|---------|---|
| <b>APPLICATION SOLUTIONS</b>                                  |         |   |
| Fomis Card  | 25A0037 | W840dn/n  |
| Fomis Card  | 26H0399 | T430/d/dn/dm  |
| Fomis Card  | 3330620 | E450dn  |
| Fomis Card  | 3680144 | C534dn/dm/n   |
| Fomis and Bar Code Card                                       | 16M1253 | X651de, X652de, X654de, X656de/dte, X658de/dfe/dme/dte/dtfe/dtfe/dtme   |
| Fomis and Bar Code Card                                       | 25C0433 | C734n/dm/dw/n, C736dn/dm/n  |
| Fomis and Bar Code Card                                       | 30G0630 | T650dn/dm/n, T652dn/dm/n  |
| Fomis and Bar Code Card                                       | 30G0834 | T654dn/dm/n   |
| Fomis and Bar Code Card                                       | 34S0970 | E460dn/dw   |
| Fomis and Bar Code Card                                       | 34S0721 | X463de, X464de, X466de/dte/dtwe   |
| Fomis and Bar Code Card                                       | MS00497 | X734de, X736de, X738de/dte  |
| Image@Quick Card  | 26H0394 | T430dn/dm   |
| Lexmark PrintCopyton Card                                     | 30G0929 | C734dn/dm/dw/n, C736n/dm/n, E460dn/dw, T650dn/dm/n, T652dn/dm/n, T654dn/dm/n, X463de, X464de, X466de/dte/dtwe, X651de, X652de, X654de, X656de/dte, X658de/dfe/dme/dte/dtfe/dtme, X734de, X736de, X738de/dte |
| Lexmark PrintCopyton Card for the Lexmark C524n               | 1883035 | C524dn/dm/n/n   |
| Lexmark PrintCopyton Card for the Lexmark C534n               | 3680147 | C534dn/dm/n   |
| Lexmark PrintCopyton Card for the Lexmark C770, C772          | 20B3204 | C770dn/dm/n, C772dn/dm/n  |
| Lexmark PrintCopyton Card for the Lexmark C780, C782          | 10Z0403 | C780dn/dm/n, C782dn/dm XL/dm/dm XL/n/n XL   |
| Lexmark PrintCopyton Card for the Lexmark C920                | 13N1343 | C920dn/dm/n   |
| Lexmark PrintCopyton Card for the Lexmark C935                | 21Z0366 | C935dn/dm/dtm/hdn   |
| Lexmark PrintCopyton Card for the Lexmark T430                | 26H0397 | T430dn/dm   |
| Lexmark PrintCopyton Card for the Lexmark T64x                | 20G0740 | T640dn/dm/n/m, T642dn/dm/n/m, T644dn/dm/n/m   |
| Lexmark PrintCopyton Card for the Lexmark W840                | 25A0034 | W840dn/n  |
| Lexmark PrintCopyton Card for the Lexmark X642e               | 22G0628 | X642e   |
| Lexmark PrintCopyton Card for the Lexmark X646e, X646lte      | 22G0352 | X644e, X646de/e   |
| Lexmark PrintCopyton Card for the Lexmark X850e, X852e, X854e | 15R0093 | X850e, X852e, X854e   |
| Lexmark PrintCopyton Card for the Lexmark X940e, X945e        | 21Z0370 | X940e, X945e  |
| <b>CONNECTIVITY</b>   |         |   |
| 2400, 2500 Series Serial Interface Option                     | 12T0698 | 2480, 2481, 2490, 2491, 2580, 2581, 2590, 2591  |
| 6 Meter (20 ft) Scanner Cable                                 | 21J0069 | 4600/MFP Option C782, C782 XL/MFP Option T642n, T644n, C782dn/dm XL/dm/dm XL/n/n XL   |
| Cocx/Winmax Adapter for SCS                                   | 14S0240 | T640/dm/dm/n/m, T642/dm/dm/n/m, T644/dm/dm/n/m, T644/dm/dm/n/m, W840/dm/n   |

# Lexmark Compatibility Table and Options

| CONNECTIVITY  | DESCRIPTION | PART #  | MODEL  |
|---|-------------|---------|--|
| Lexmark N2050 802.11b/g Wireless Network Card                 |             | 14T0300 | X3530, X3550, X3580, X6550, X6570, X6575, X7550  |
| Lexmark N4000e for Ethernet 10/100BaseTX                      |             | 14T0030 | 2480, 2481, 2490, 2491, 2580, 2581, C510, C524, C760, C920, E220, E230, E232/f, E234, E238, E240/f, E250d, E260/d, E320, E321/, E323, E322, E323, E330, E340, E350d, E360d, Home Copier Plus, P4330, P4350, P6250, P6350, P915, T420d, T430d/f, T520d/f, T522, T620, T622, T630/WE, T632, T634, T640/f/n, T642, T644, W812, W820, W840, X215, X3330, X3350, X3430, X3470, X3480, X3530, X3580, X5075, X5150, X5250, X5270, X5320, X5340, X5410, X5450, X5495, X6150, X6170, X7170, X7350, X8350, Z655, Z815, Z845  |
| Lexmark N4050e 802.11g Wireless Print Server                  |             | 14T0145 | 2480, 2481, 2490, 2491, 2580/n, 2581/n, 2590/n, C500n, C510, C520n, C522n/n, C524/dn/dtn/n/n, C530dn, C532n/n, C534dn/dtn/n, C540n, C543dn, C544dn/dtn/n, C734dn/dtn/dw/n, C736dn/dtn/n, C752, C760/dn/dtn/n, C762/dn/dtn/n, C770dn/dtn/n, C772dn/dtn/n, C780dn/dtn/n, C782dn/dtn/n, C786dn/dtn/n, C790dn/dtn/n, C935dn/dtn/dtn/hdn, Clinical Assistant, E120n, E230, E232/f, E234, E238, E240/n/f, E250d/dn, E260/d/dn, E260/d/dtn/n, E300, E340, E342n/n, E350d, E352n, E360d/n, E450dn, E460dn, Education Station, Legal Partner, P4330, P4350, P6250, P6350, P915, T430/d, T630/WE, T632, T634, T640/dn/dtn/n/n, T642/dn/dtn/n/n, T644/dn/dtn/n/n, T650dn/dtn/n, T652dn/dtn/n, T654dn/dtn/n, W812, W820, W840/dn/n, X204n, X215, X284dn, X3330, X3350, X340n, X342n, X3430, X3470, X3480, X363dn, X364dn, X422, X4250, X4270, X463de, X464de, X466de/dte, X500n, X502n, X5070, X5075, X5150, X5250, X5270, X5320, X5340, X5410, X543dn, X544dn/dtn/n, X5450, X5470, X5495, X560n, X6150, X6170, X630, X632de/s, X634de/e, X642e, X644e, X646de/e/ef, X651de, X652de, X654de, X656de/dte, X658de/dte/dme/dte/dte/dtme, X7170, X734de, X7350, X736de, X738de/dte, X772e, X782e/e XL, X8350, X850, X852e, X854e, X94de, X94de, Z815, Z816, Z845 |
| MarkNet N2001e - Ethernet 10/100BaseTX                        |             | 44D0000 | C720/dn/n, C750/dn/dtn/n/n/n, C910, C912/dn/n/n/n, C912/dn/n/n, Optra C710/C710dn/C710m/C710m/10/T610/T610m/10/T614/T614n/10/T614n/10/T616n/W810/W810dn/W810n, T520/d/dn/n, T522/dn/n, T620/dn/n/n, T622/dn/n, T620/dn/n, W812/dm/n, W820/dn/n, X620e  |
| MarkNet N8120 Gigabit Ethernet Print Server                   |             | 14F0037 | C734dn/dtn/n, C736dn/dtn/n, T650dn/dtn/n, T652dn/dtn/n, T654dn/dtn/n, X463de, X464de, X466de/dte/dtme/dtme, X651de, X652de, X654de, X656de/dte, X658de/dte/dme/dte/dtme/dtme, X734de, X736de, X738de, X738de/dte   |
| MarkNet N8130 Fiber Ethernet 100BaseFX, 10BaseFL Print Server |             | 14F0042 | C734dn/dtn/n, C736dn/dtn/n, T650dn/dtn/n, T652dn/dtn/n, T654dn/dtn/n, X463de, X464de, X466de/dte/dtme/dtme, X651de, X652de, X654de, X656de/dte, X658de/dte/dme/dte/dtme/dtme, X734de, X736de, X738de, X738de/dte   |
| MarkNet N8150 802.11b/g/n Wireless Print Server               |             | 14F0040 | C734dn/dtn/n, C736dn/dtn/n, T650dn/dtn/n, T652dn/dtn/n, T654dn/dtn/n, X463de, X464de, X466de/dte, X651de, X652de, X654de, X656de/dte, X658de/dte/dtme/dtme/dtme, X734de, X736de, X738de, X738de/dte  |
| MarkNet™ N7000e Fast Ethernet Print Server - USB              |             | 14T0230 | 2480, 2481, 2490, 2491, 2580, 2581, C510, C524, C530dn, C532n/n, C760, C762, C910, C912, C920, E220, E230, E232/f, E234, E238, E240/f, E260/d, E320, E321/, E323, E322, E323, E330, E340, E350d, E360d, Optra M410/M412, P915, T420d, T430d, T520/d, T522, T620, T622, T630/WE, T632, T634, T640, T642, T644, W812, W820, W840, X204n, X215, X284dn, X364dn, X5450, X5470, X560n, X7170, X7350, X8350, Z815, Z816  |





# Lexmark Supplies Compatibility Table

## Lexmark Inkjet Printers Supplies

| #  | PART #  | DESCRIPTION  | MODEL   |
|----|---------|--|---|
|    | 13400HC | 13400HC Black Print Cartridge                                    | 1000, 1020, 1100, 2030, 2050, 2055, 3000, ExecJet IIC, Medley, Winwriter 150c   |
|    | 13619HC | 13619HC Color Print Cartridge                                    | 1000, 1020, 1100, 2030, 2050, 2055, 3000, ExecJet IIC, Medley, Winwriter 150c   |
| 1  | 1800781 | #1 Print Cartridge   | X2350, X2470, X3470, Z730, Z735   |
| 1  | 1800948 | Twin-Pack #1 Print Cartridge                                     | X2350, X2470, X3470, Z730, Z735   |
| 2  | 1800190 | #2 Print Cartridge   | X2480, X2580, X3480, X3580, X4580, Z1380, Z1480   |
| 3  | 1801530 | #3 Black Print Cartridge   | X2580, X3580, X4580, Z1380, Z1480   |
| 4  | 1801954 | #4A Black Print Cartridge  | X2690, X4690, Z2390, Z2490  |
| 4  | 1801974 | #4 Black Return Program Print Cartridge                          | X2690, X4690, Z2390, Z2490  |
| 4  | 1802250 | Twin-Pack #4 Black Return Program Print Cartridge                | X2690, X4690, Z2390, Z2490  |
| 4  | 1802255 | Twin-Pack #4, #5 Black and Color Return Program Print Cartridges | X2690, X4690, Z2390, Z2490  |
| 5  | 1801960 | #5 Color Return Program Print Cartridge                          | X2690, X4690, Z2390, Z2490  |
| 5  | 1801970 | #5A Color Print Cartridge  | X2690, X4690, Z2390, Z2490  |
| 14 | 1802080 | #14A Black Print Cartridge                                       | X2600, X2630, X2650, X2670, Z2300, Z2320  |
| 14 | 1802090 | #14 Black Return Program Print Cartridge                         | X2600, X2630, X2650, X2670, Z2300, Z2320  |
| 14 | 1802228 | Twin-Pack #14 Black Return Program Print Cartridge               | X2600, X2630, X2650, X2670, Z2300, Z2320  |
| 14 | 1802239 | Twin-Pack #14, #15 Black and Color Return Program Print          | X2600, X2630, X2650, X2670, Z2300, Z2320  |
| 15 | 1802100 | #15A Color Print Cartridge                                       | X2600, X2630, X2650, X2670, Z2300, Z2320  |
| 15 | 1802110 | #15 Color Return Program Print Cartridge                         | X2600, X2630, X2650, X2670, Z2300, Z2320  |
| 16 | 10N0016 | #16 Black Print Cartridge  | X1150, X1185, X1250, X1270, X2250, X75, Z13, Z23, Z25, Z33, Z35, Z515, Z517, Z605, Z611, Z615, Z617, Z640, Z645, Z647, I3 |
| 16 | 10N0138 | Twin-Pack #16 Black Print Cartridge                              | X1150, X1185, X1250, X1270, X2250, X75, Z13, Z23, Z25, Z33, Z35, Z515, Z517, Z605, Z611, Z615, Z617, Z640, Z645, Z647, I3 |
| 16 | 10N0202 | Twin-Pack #16, #26 Black and Color Print Cartridges              | X1150, X1185, X1250, X1270, X2250, X75, Z13, Z23, Z25, Z33, Z35, Z515, Z517, Z605, Z611, Z615, Z617, Z640, Z645, Z647, I3 |
| 17 | 10N0217 | #17 Moderate Use Black Print Cartridge                           | X1150, X1185, X1250, X1270, X2250, Z13, Z515, Z517, Z605, Z611, Z615, Z617, Z640, Z645, Z647                              |
| 17 | 10N0593 | Twin-Pack #17 Black Moderate Use Print Cartridges                | X1150, X1185, X1250, X1270, X2250, X75, Z13, Z23, Z25, Z33, Z35, Z515, Z517, Z605, Z611, Z615, Z617, Z640, Z645, Z647, I3 |
| 17 | 10N0595 | Twin-Pack #17, #27 Black and Color Moderate Use Print Cartridges | X1150, X1185, X1250, X1270, X2250, X75, Z13, Z23, Z25, Z33, Z35, Z515, Z517, Z605, Z611, Z615, Z617, Z640, Z645, Z647, I3 |
| 19 | 15M2619 | #19 Moderate Yield Color Print Cartridge                         | P3150, P707, X4250, X4270, Z705, Z715   |
| 20 | 15M0120 | #20 Color Print Cartridge  | P3150, P707, Z125, X4250, X4270, X63, X73, X83, X85, Z42, Z43, Z45, Z45se, Z51, Z52, Z53, Z54, Z54se, Z705, Z715, Z82     |
| 20 | 15M1375 | Twin-Pack #20 Color Print Cartridge                              | P3150, P707, Z125, X4250, X4270, X63, X73, X83, X85, Z42, Z43, Z45, Z45se, Z51, Z52, Z53, Z54, Z54se, Z705, Z715, Z82     |
| 20 | 15M2328 | Twin-Pack #70, #20 Black and Color Print Cartridges              | X125, X4250, X4270, X63, X73, X83, X85, Z42, Z43, Z45, Z45se, Z51, Z52, Z53, Z54, Z54se, Z82                              |
| 23 | 1801523 | #23 Black Return Program Print Cartridge                         | X3530, X3550, X4530, X4550, Z1410, Z1420  |
| 23 | 1801571 | Twin-Pack #23, #24 Black and Color Return Program Print          | X3530, X3550, X4530, X4550, Z1410, Z1420  |
| 23 | 1801598 | Twin-Pack #23 Black Return Program Print Cartridge               | X3530, X3550, X4530, X4550, Z1410, Z1420  |



# Lexmark Supplies Compatibility Table

## Lexmark Inkjet Printers Supplies

| #  | PART #  | DESCRIPTION  | MODEL   |
|----|---------|--|---|
| 35 | 1800035 | #35 High Yield Color Print Cartridge                       | Home Copier Plus; P315, P4330, P4350, P450, P6250, P6350, P915, X2500, X2530, X2550, X3330, X3350, X3530, X3550, X4630, X4650, X5070, X5075, X5250, X5270, X5220, X5340, X5410, X5450, X6470, X5495, X7170, X7350, X8350, Z1300, Z1310, Z1320, Z1410, Z1420, Z815, Z816, Z845 |
| 36 | 1802130 | #36 Black Return Program Print Cartridge                   | X3650, X4650, X5650/es, X6650, X6675, Z2420   |
| 36 | 1802150 | #36A Black Print Cartridge                                 | X3650, X4650, X5650/es, X6650, X6675, Z2420   |
| 36 | 1802170 | #36XL Black Return Program Print Cartridge                 | X3650, X4650, X5650/es, X6650, X6675, Z2420   |
| 36 | 1802190 | #36XLA Black Print Cartridge                               | X3650, X4650, X5650/es, X6650, X6675, Z2420   |
| 36 | 1802229 | Twin-Pack #36; #37 Black and Color Return Program Print    | X3650, X4650, X5650/es, X6650, X6675, Z2420   |
| 36 | 1802230 | Twin-Pack #36XL Black Return Program Print Cartridge       | X3650, X4650, X5650/es, X6650, X6675, Z2420   |
| 36 | 1802236 | Twin-Pack #36 Black Return Program Print Cartridge         | X3650, X4650, X5650/es, X6650, X6675, Z2420   |
| 36 | 1802249 | Twin-Pack #36XL #37XL Black and Color Return Program Print | X3650, X4650, X5650/es, X6650, X6675, Z2420   |
| 37 | 1802140 | #37 Color Return Program Print Cartridge                   | X3650, X4650, X5650/es, X6650, X6675, Z2420   |
| 37 | 1802160 | #37A Color Print Cartridge                                 | X3650, X4650, X5650/es, X6650, X6675, Z2420   |
| 37 | 1802200 | #37XLA Color Print Cartridge                               | X3650, X4650, X5650/es, X6650, X6675, Z2420   |
| 40 | 1810340 | #40 Photo Print Cartridge                                  | X4850, X4875, X4950, X4975/ve, X6550, X6570, X6575, X7550, X7675, X8350, X9575, Z1520   |
| 41 | 1810141 | #41 Color Return Program Print Cartridge                   | X4850, X4875, X4950, X4975/ve, X6550, X6570, X6575, X7550, X7675, X9575, Z1520  |
| 41 | 1810341 | #41A Color Print Cartridge                                 | X4850, X4875, X4950, X4975/ve, X6550, X6570, X6575, X7550, X7675, X9575, Z1520  |
| 42 | 1810142 | #42 Black Return Program Print Cartridge                   | X4850, X4875, X4950, X4975/ve, X6550, X6570, X6575, X7550, X7675, X9575, Z1520  |
| 42 | 1810342 | #42A Black Print Cartridge                                 | X4850, X4875, X4950, X4975/ve, X6550, X6570, X6575, X7550, X7675, X9575, Z1520  |
| 43 | 1810143 | #43XL Color Print Cartridge                                | P250, P350, X4850, X4875, X4950, X4975/ve, X6550, X6570, X6575, X7550, X7675, X9350, X9575, Z1520   |
| 43 | 1810372 | Twin-Pack #44XL #43XL Black and Color Print Cartridges     | X4850, X4875, X4950, X4975/ve, X6550, X6570, X6575, X7550, X7675, X9350, X9575  |
| 44 | 1810144 | #44XL Black Print Cartridge                                | X4850, X4875, X4950, X4975/ve, X6550, X6570, X6575, X7550, X7675, X9350, X9575, Z1520   |
| 48 | 1760648 | #48 Moderate Yield Black Print Cartridge                   | P3150, P707, Z705, Z715   |
| 50 | 1660093 | Twin-Pack #50 Black Print Cartridge                        | P3150, P707, Z12, Z22, Z32, Z705, Z715  |
| 50 | 1760050 | #50 Black Print Cartridge                                  | P3150, P707, Z12, Z22, Z32, Z705, Z715  |
| 55 | 1660055 | #55 High Yield Black Print Cartridge                       | P3150, P707, Z12, Z22, Z32, Z705, Z715  |
| 60 | 1760060 | #60 Color Print Cartridge                                  | Z12, Z22, Z32   |
| 65 | 1660065 | #65 High Yield Color Print Cartridge                       | Z12, Z22, Z32   |
| 70 | 12A1970 | #70 Black Print Cartridge                                  | 3200, 5000, 5700, 5770, 7000, 7200/V, Optra Color 40/45/45n, X125, X4250, X4270, X63, X73, X83, X85, Z11, Z31, Z42, Z43, Z45, Z45se, Z51, Z52, Z53, Z54, Z54se, Z82   |



# Lexmark Supplies Compatibility Table

## Lexmark Inkjet Printers Supplies

| #  | PART #  | DESCRIPTION                                   | MODEL   |
|----|---------|---|---|
| 70 | 15M1330 | Twin-Pack #70 Black Print Cartridge           | 3200, 5000, 5700, 5770, 7000, 7200/V, Optra Color 40/45/45n, X125, X4250, X4270, X63, X73, X83, X85, Z11, Z31, Z42, Z43, Z45, Z45se, Z51, Z52, Z53, Z54, Z54se, Z82 |
| 71 | 15M2971 | #71 Moderate Use Black Print Cartridge        | 3200, 5000, 5700, 5770, 7000, 7200/V, Optra Color 40/45/45n, X125, X4250, X4270, X63, X73, X83, X85, Z11, Z31, Z42, Z43, Z45, Z45se, Z51, Z52, Z53, Z54, Z54se, Z82 |
| 75 | 12A1975 | #75 High Yield Black Print Cartridge          | 3200, 5000, 5700, 5770, 7000, 7200/V, Optra Color 40/45/45n, X125, X4250, X4270, X63, X73, X83, X85, Z11, Z31, Z42, Z43, Z45, Z45se, Z51, Z52, Z53, Z54, Z54se, Z82 |
| 75 | 15M0100 | Tri-Pack #75 High Yield Black Print Cartridge | 3200, 5000, 5700, 5770, 7000, 7200/V, Optra Color 40/45/45n, X125, X4250, X4270, X83, X85, Z11, Z31, Z42, Z51, Z52, Z62   |
| 75 | 15M1046 | Six-Pack #75 High Yield Black Print Cartridge | 3200, 5000, 5700, 5770, 7000, 7200/V, Optra Color 40/45/45n, X125, X4250, X4270, X83, X85, Z11, Z31, Z42, Z51, Z52, Z62   |
| 80 | 12A1980 | #80 Color Print Cartridge                     | 3200, 5000, 5700, 5770, 7000, 7200/V, Optra Color 40/45/45n, Z11, Z31   |
| 82 | 18L0032 | #82 Black Print Cartridge                     | X5150, X6150, X6170, Z55, Z55se, Z65, Z65n, Z65p  |
| 82 | 18L0232 | Tri-Pack #82 Black Print Cartridge            | X5150, X6150, X6170, Z55, Z55se, Z65, Z65n, Z65p  |
| 82 | 18L0680 | Twin-Pack #82 Black and Color Print Cartridge | X5150, X6150, X6170, Z55, Z55se, Z65, Z65n, Z65p  |
| 83 | 18L0042 | #83 Color Print Cartridge                     | X5150, X6150, X6170, Z55, Z55se, Z65, Z65n, Z65p  |
| 85 | 12A1985 | #85 High Yield Color Print Cartridge          | 3200, 5000, 5700, 5770, 7000, 7200/V, Optra Color 40/45/45n, Z11, Z31   |
| 85 | 15M0101 | Tri-Pack #85 High Yield Color Print Cartridge | 3200, 5000, 5700, 5770, 7000, 7200/V, Optra Color 40/45/45n, Z11, Z31   |
| 88 | 18L0000 | #88 High Yield Color Print Cartridge          | X5150, X6150, X6170, Z55, Z55se, Z65, Z65n  |
| 88 | 18L0233 | Tri-Pack #88 High Yield Color Print Cartridge | X6150, X6170, Z65, Z65n   |
| 90 | 12A1990 | #90 PHOTO Color Print Cartridge               | 3200, 5000, 5700, 5770, 7000, 7200/V, Optra Color 40/45/45n, P3150, P707, X125, X63, X73, Z22, Z32, Z42, Z43, Z45, Z51, Z52, Z53, Z54, Z705, Z715                   |

# Lexmark Supplies Compatibility Table

## Cartridges and Photoconductor / Other Supplies

| MODEL   | PART #   | DESCRIPTION                        | AVERAGE YIELD  |
|---|----------|------------------------------------|--|
| <b>COLOR LASER</b>  |          |                                    |  |
| C500n, C510/dtn/n, X500n, X502n                                 | C500X28G | Fuser Maintenance Kit LV           | Fuser Maintenance Kit (installation) is recommended every 60,000 pages.  |
| C500n, X500n, X502n   | C500H2CG | Cyan High Yield Toner Cartridge    | Average Continuous Composite CMY Declared Cartridge Yield up to 3,000 standard pages in accordance with ISO/IEC 19798. |
| C500n, X500n, X502n   | C500H2KG | Black High Yield Toner Cartridge   | Average Continuous Black Declared Cartridge Yield up to 5,000 standard pages in accordance with ISO/IEC 19798.         |
| C500n, X500n, X502n   | C500H2MG | Magenta High Yield Toner Cartridge | Average Continuous Composite CMY Declared Cartridge Yield up to 3,000 standard pages in accordance with ISO/IEC 19798. |
| C500n, X500n, X502n   | C500H2YG | Yellow High Yield Toner Cartridge  | Average Continuous Composite CMY Declared Cartridge Yield up to 3,000 standard pages in accordance with ISO/IEC 19798. |
| C500n, X500n, X502n   | C500S2CG | Cyan Toner Cartridge               | Average Continuous Composite CMY Declared Cartridge Yield up to 1,500 standard pages in accordance with ISO/IEC 19798. |
| C500n, X500n, X502n   | C500S2KG | Black Toner Cartridge              | Average Continuous Black Declared Cartridge Yield up to 2,500 standard pages in accordance with ISO/IEC 19798.         |
| C500n, X500n, X502n   | C500S2MG | Magenta Toner Cartridge            | Average Continuous Composite CMY Declared Cartridge Yield up to 1,500 standard pages in accordance with ISO/IEC 19798. |
| C500n, X500n, X502n   | C500S2YG | Yellow Toner Cartridge             | Average Continuous Composite CMY Declared Cartridge Yield up to 1,500 standard pages in accordance with ISO/IEC 19798. |
| C500n, X500n, X502n   | C510X26G | PhotoDeveloper Cartridge           | Yield: Up to 120,000 images based on approximately 5% coverage; One 4-color page=4 images.                             |
| C500n, X500n, X502n   | C500X27G | Waste Toner Bottle                 | Yield: Up to 30,000 images; One 4-color page=4 images.   |
| C510/dtn/n  | 20K0500  | Cyan Toner Cartridge               | Up to 3,000 pages @ approximately 5% coverage  |
| C510/dtn/n  | 20K0501  | Magenta Toner Cartridge            | Up to 3,000 pages @ approximately 5% coverage  |
| C510/dtn/n  | 20K0502  | Yellow Toner Cartridge             | Up to 3,000 pages @ approximately 5% coverage  |
| C510/dtn/n  | 20K0503  | Black Toner Cartridge              | Up to 5,000 pages @ approximately 5% coverage  |
| C510/dtn/n  | 20K0504  | PhotoDeveloper Cartridge           | Yield: Up to 40,000 images ; One 4-color page=4 images.  |
| C510/dtn/n  | 20K0505  | Waste Toner Bottle                 | Yield: Up to 12,000 images; One 4-color page=4 images.   |
| C510/dtn/n  | 20K1400  | Cyan High Yield Toner Cartridge    | Up to 6,600 pages @ approximately 5% coverage  |
| C510/dtn/n  | 20K1401  | Magenta High Yield Toner Cartridge | Up to 6,600 pages @ approximately 5% coverage  |
| C510/dtn/n  | 20K1402  | Yellow High Yield Toner Cartridge  | Up to 6,600 pages @ approximately 5% coverage  |
| C510/dtn/n  | 20K1403  | Black High Yield Toner Cartridge   | Up to 10,000 pages @ approximately 5% coverage   |
| C520n, C522n/n, C524/dn/dtn/n/n, C530dn, C532dn/n, C534dn/dtn/n | C520SX   | Waste Toner Box                    | Yield: Up to 25,000 images   |

# Lexmark Supplies Compatibility Table

## Cartridges and Photoconductor / Other Supplies

| MODEL  |         | PART #                                 | DESCRIPTION  | AVERAGE YIELD |
|--|---------|--|--|---------------|
| <b>COLOR LASER</b>   |         |  |  |               |
| C520n, C522n/tn, C524/dn/dtrn/tn, C530dn, C532dn/n, C534dn/dtrn/dtrn | C5303X  | Photoconductor Unit 1-Pack             | Yield: Up to 20,000 images each.   |               |
| C520n, C522n/tn, C524/dn/dtrn/tn, C530dn, C532dn/n, C534dn/dtrn/dtrn | C53034X | Photoconductor Unit 4-Pack             | Yield: Up to 20,000 images each. Contains 4 units.   |               |
| C520n, C530dn  | C5200CS | Cyan Return Program Toner Cartridge    | Average Continuous Composite CMY Declared Cartridge Yield up to 1,500 standard pages in accordance with ISO/IEC 19798.       |               |
| C520n, C530dn  | C5200WS | Black Return Program Toner Cartridge   | Average Continuous Black Declared Cartridge Yield up to 1,500 standard pages in accordance with ISO/IEC 19798.               |               |
| C520n, C530dn  | C5200MS | Magenta Return Program Toner Cartridge | Average Continuous Composite CMY Declared Cartridge Yield up to 1,500 standard pages in accordance with ISO/IEC 19798.       |               |
| C520n, C530dn  | C5200YS | Yellow Return Program Toner Cartridge  | Average Continuous Composite CMY Declared Cartridge Yield up to 1,500 standard pages in accordance with ISO/IEC 19798.       |               |
| C520n, C530dn  | C5202CS | Cyan Toner Cartridge                   | Average Continuous Composite CMY Declared Cartridge Yield up to 1,500 standard pages in accordance with ISO/IEC 19798 (FDS). |               |
| C520n, C530dn  | C5202WS | Black Toner Cartridge                  | Average Continuous Composite CMY Declared Cartridge Yield up to 1,500 standard pages in accordance with ISO/IEC 19798.       |               |
| C520n, C530dn  | C5202MS | Magenta Toner Cartridge                | Average Continuous Composite CMY Declared Cartridge Yield up to 1,500 standard pages in accordance with ISO/IEC 19798.       |               |
| C520n, C530dn  | C5202YS | Yellow Toner Cartridge                 | Average Continuous Composite CMY Declared Cartridge Yield up to 1,500 standard pages in accordance with ISO/IEC 19798.       |               |
| C522n/tn, C524/dn/dtrn/tn, C530dn, C532dn/n, C534dn/dtrn/dtrn        | C5220CS | Cyan Return Program Toner Cartridge    | Average Continuous Composite CMY Declared Cartridge Yield up to 3,000 standard pages in accordance with ISO/IEC 19798.       |               |
| C522n/tn, C524/dn/dtrn/tn, C530dn, C532dn/n, C534dn/dtrn/dtrn        | C5220WS | Black Return Program Toner Cartridge   | Average Continuous Black Declared Cartridge Yield up to 4,000 standard pages in accordance with ISO/IEC 19798.               |               |
| C522n/tn, C524/dn/dtrn/tn, C530dn, C532dn/n, C534dn/dtrn/dtrn        | C5220MS | Magenta Return Program Toner Cartridge | Average Continuous Composite CMY Declared Cartridge Yield up to 3,000 standard pages in accordance with ISO/IEC 19798.       |               |
| C522n/tn, C524/dn/dtrn/tn, C530dn, C532dn/n, C534dn/dtrn/dtrn        | C5220YS | Yellow Return Program Toner Cartridge  | Average Continuous Composite CMY Declared Cartridge Yield up to 3,000 standard pages in accordance with ISO/IEC 19798.       |               |
| C522n/tn, C524/dn/dtrn/tn, C530dn, C532dn/n, C534dn/dtrn/dtrn        | C5222CS | Cyan Toner Cartridge                   | Average Continuous Composite CMY Declared Cartridge Yield up to 3,000 standard pages in accordance with ISO/IEC 19798.       |               |

# Lexmark Supplies Compatibility Table

## Cartridges and Photoconductor / Other Supplies

| MODEL  |  | PART #  | DESCRIPTION   | AVERAGE YIELD  |
|--|--|---------|---|--|
| COLOR LASER  |  |         |   |  |
| C522n/tn, C524n/tn/dtm/n/tn, C530bn, C532n/tn, C534m/tn, C534m/dtm/n |  | C522XS  | Black Toner Cartridge                                   | Average Continuous Black Declared Cartridge Yield up to 4,000 standard pages in accordance with ISO/IEC 19798.         |
| C522n/tn, C524n/tn/dtm/n/tn, C530bn, C532n/tn, C534m/tn, C534m/dtm/n |  | C522MS  | Magenta Toner Cartridge                                 | Average Continuous Composite CMY Declared Cartridge Yield up to 3,000 standard pages in accordance with ISO/IEC 19798. |
| C522n/tn, C524n/tn/dtm/n/tn, C530bn, C532n/tn, C534m/tn, C534m/dtm/n |  | C522YS  | Yellow Toner Cartridge                                  | Average Continuous Composite CMY Declared Cartridge Yield up to 3,000 standard pages in accordance with ISO/IEC 19798. |
| C524n/dm/dtm/n/tn, C532n/tn, C534m/dtm/n                             |  | C5240CH | Cyan High Yield Return Program Toner Cartridge          | Average Continuous Composite CMY Declared Cartridge Yield up to 5,000 standard pages in accordance with ISO/IEC 19798. |
| C524n/dm/dtm/n/tn, C532n/tn, C534m/dtm/n                             |  | C5240MH | Magenta High Yield Return Program Toner Cartridge       | Average Continuous Composite CMY Declared Cartridge Yield up to 5,000 standard pages in accordance with ISO/IEC 19798. |
| C524n/dm/dtm/n/tn, C532n/tn, C534m/dtm/n                             |  | C5240YH | Yellow High Yield Return Program Toner Cartridge        | Average Continuous Composite CMY Declared Cartridge Yield up to 5,000 standard pages in accordance with ISO/IEC 19798. |
| C524n/dm/dtm/n/tn, C532n/tn, C534m/dtm/n                             |  | C5242CH | Cyan High Yield Toner Cartridge                         | Average Continuous Composite CMY Declared Cartridge Yield up to 5,000 standard pages in accordance with ISO/IEC 19798. |
| C524n/dm/dtm/n/tn, C532n/tn, C534m/dtm/n                             |  | C5242MH | Magenta High Yield Toner Cartridge                      | Average Continuous Composite CMY Declared Cartridge Yield up to 5,000 standard pages in accordance with ISO/IEC 19798. |
| C524n/dm/dtm/n/tn, C532n/tn, C534m/dtm/n                             |  | C5242YH | Yellow High Yield Toner Cartridge                       | Average Continuous Composite CMY Declared Cartridge Yield up to 5,000 standard pages in accordance with ISO/IEC 19798. |
| C524n/dm/dtm/n/tn, C534n/dtm/n                                       |  | C5240KH | Black High Yield Return Program Toner Cartridge         | Average Continuous Black Declared Cartridge Yield up to 8,000 standard pages in accordance with ISO/IEC 19798.         |
| C524n/dm/dtm/n/tn, C534n/dtm/n                                       |  | C5242KH | Black High Yield Toner Cartridge                        | Average Continuous Black Declared Cartridge Yield up to 8,000 standard pages in accordance with ISO/IEC 19798.         |
| C534n/dtm/n  |  | C5340CX | Cyan Extra High Yield Return Program Toner Cartridge    | Average Continuous Composite CMY Declared Cartridge Yield up to 7,000 standard pages in accordance with ISO/IEC 19798. |
| C534n/dtm/n  |  | C5340MX | Magenta Extra High Yield Return Program Toner Cartridge | Average Continuous Composite CMY Declared Cartridge Yield up to 7,000 standard pages in accordance with ISO/IEC 19798. |
| C534n/dtm/n  |  | C5340YX | Yellow Extra High Yield Return Program Toner Cartridge  | Average Continuous Composite CMY Declared Cartridge Yield up to 7,000 standard pages in accordance with ISO/IEC 19798. |
| C534n/dtm/n  |  | C5342CX | Cyan Extra High Yield Toner Cartridge                   | Average Continuous Composite CMY Declared Cartridge Yield up to 7,000 standard pages in accordance with ISO/IEC 19798. |

# Lexmark Supplies Compatibility Table

## Cartridges and Photoconductor / Other Supplies

| MODEL   |          | PART #  | DESCRIPTION   | AVERAGE YIELD |
|---|----------|---|---|---------------|
| COLOR LASER   |          |   |   |               |
| C534nr/dtr/n  | C5342MX  | Magenta Extra High Yield Toner Cartridge          | Average Continuous Composite CMY Declared Cartridge Yield up to 7,000 standard pages in accordance with ISO/IEC 19798.  |               |
| C534nr/dtr/n  | C5342YX  | Yellow Extra High Yield Toner Cartridge           | Average Continuous Composite CMY Declared Cartridge Yield up to 7,000 standard pages in accordance with ISO/IEC 19798.  |               |
| C540n, C543dn, C544dn/dtr/dw/n, X543dn, X544dn/dtr/dw/n | C540A1CG | Cyan Return Program Toner Cartridge               | Average Continuous Composite CMY Declared Cartridge Yield up to 1,000 standard pages in accordance with ISO/IEC 19798.  |               |
| C540n, C543dn, C544dn/dtr/dw/n, X543dn, X544dn/dtr/dw/n | C540A1KG | Black Return Program Toner Cartridge              | Average Continuous Composite CMY Declared Cartridge Yield up to 1,000 standard pages in accordance with ISO/IEC 19798.  |               |
| C540n, C543dn, C544dn/dtr/dw/n, X543dn, X544dn/dtr/dw/n | C540A1MG | Magenta Return Program Toner Cartridge            | Average Continuous Composite CMY Declared Cartridge Yield up to 1,000 standard pages in accordance with ISO/IEC 19798.  |               |
| C540n, C543dn, C544dn/dtr/dw/n, X543dn, X544dn/dtr/dw/n | C540A1YG | Yellow Return Program Toner Cartridge             | Average Continuous Composite CMY Declared Cartridge Yield up to 1,000 standard pages in accordance with ISO/IEC 19798.  |               |
| C540n, C543dn, C544dn/dtr/dw/n, X543dn, X544dn/dtr/dw/n | C540H1CG | Cyan High Yield Return Program Toner Cartridge    | Average Continuous Composite CMY Declared Cartridge Yield up to 2,000 standard pages in accordance with ISO/IEC 19798.  |               |
| C540n, C543dn, C544dn/dtr/dw/n, X543dn, X544dn/dtr/dw/n | C540H1KG | Black High Yield Return Program Toner Cartridge   | Average Continuous Composite CMY Declared Cartridge Yield up to 2,500 standard pages in accordance with ISO/IEC 19798.  |               |
| C540n, C543dn, C544dn/dtr/dw/n, X543dn, X544dn/dtr/dw/n | C540H1MG | Magenta High Yield Return Program Toner Cartridge | Average Continuous Composite CMY Declared Cartridge Yield up to 2,000 standard pages in accordance with ISO/IEC 19798.  |               |
| C540n, C543dn, C544dn/dtr/dw/n, X543dn, X544dn/dtr/dw/n | C540H1YG | Yellow High Yield Return Program Toner Cartridge  | Average Continuous Composite CMY Declared Cartridge Yield up to 2,000 standard pages in accordance with ISO/IEC 19798.  |               |
| C540n, C543dn, C544dn/dtr/dw/n, X543dn, X544dn/dtr/dw/n | C540H2CG | Cyan High Yield Toner Cartridge                   | Average Continuous Composite CMY Declared Cartridge Yield up to 2,000 standard pages in accordance with ISO/IEC 19798.  |               |
| C540n, C543dn, C544dn/dtr/dw/n, X543dn, X544dn/dtr/dw/n | C540H2KG | Black High Yield Toner Cartridge                  | Average Continuous Composite CMY Declared Cartridge Yield up to 2,500 standard pages in accordance with ISO/IEC 19798.  |               |
| C540n, C543dn, C544dn/dtr/dw/n, X543dn, X544dn/dtr/dw/n | C540H2MG | Magenta High Yield Toner Cartridge                | Average Continuous Composite CMY Declared Cartridge Yield up to 2,000 standard pages in accordance with ISO/IEC 19798.  |               |
| C540n, C543dn, C544dn/dtr/dw/n, X543dn, X544dn/dtr/dw/n | C540H2YG | Yellow High Yield Toner Cartridge                 | Average Continuous Composite CMY Declared Cartridge Yield up to 2,000 standard pages in accordance with ISO/IEC 19798.  |               |
| C540n, C543dn, C544dn/dtr/dw/n, X543dn, X544dn/dtr/dw/n | C540X71G | Black Imaging Kit                                 | Includes a Photoconductor unit and a Black photoconductor unit. Yield: Up to 30,000 pages, based on an average of 3 pages per job and approximately 5% coverage. Yields may vary based on customer usage. |               |

# Lexmark Supplies Compatibility Table

## Cartridges and Photoconductor / Other Supplies

| COLOR LASER   |  | MODEL | PART #   | DESCRIPTION   | AVERAGE YIELD   |
|---|--|-------|----------|---|---|
| C540n, C543dn, C544dn/dtm/dw/n, X543dn, X544dn/dtm/dw/n |  |       | C540X74G | Black and Color Imaging Kit                             | Includes a Photoconductor unit and one each of the photodeveloper unit for black, cyan, magenta and yellow. Yield: Up to 30,000 pages, based on an average of 3 pages per job and approximately 5% coverage per color. Yields may vary based on customer. |
| C540n, C543dn, C544dn/dtm/dw/n, X543dn, X544dn/dtm/dw/n |  |       | C540X75G | Waste Toner Bottle                                      | Yield: Up to 18,000 color pages or 36,000 black pages based on approximately 5% coverage per color at factory default settings.   |
| C544n/dtm/dw/n, X544n/dtm/dw/n                          |  |       | C544X1CG | Cyan Extra High Yield Return Program Toner Cartridge    | Average Continuous Composite CMY Declared Cartridge Yield up to 4,000 standard pages in accordance with ISO/IEC 19798.  |
| C544n/dtm/dw/n, X544n/dtm/dw/n                          |  |       | C544X1KG | Black Extra High Yield Return Program Toner Cartridge   | Average Continuous Black-Declared Cartridge Yield up to 6,000 standard pages in accordance with ISO/IEC 19798.  |
| C544n/dtm/dw/n, X544n/dtm/dw/n                          |  |       | C544X1MG | Magenta Extra High Yield Return Program Toner Cartridge | Average Continuous Composite CMY Declared Cartridge Yield up to 4,000 standard pages in accordance with ISO/IEC 19798.  |
| C544n/dtm/dw/n, X544n/dtm/dw/n                          |  |       | C544X1YG | Yellow Extra High Yield Return Program Toner Cartridge  | Average Continuous Composite CMY Declared Cartridge Yield up to 4,000 standard pages in accordance with ISO/IEC 19798.  |
| C544n/dtm/dw/n, X544n/dtm/dw/n                          |  |       | C544X2CG | Cyan Extra High Yield Toner Cartridge                   | Average Continuous Composite CMY Declared Cartridge Yield up to 4,000 standard pages in accordance with ISO/IEC 19798.  |
| C544n/dtm/dw/n, X544n/dtm/dw/n                          |  |       | C544X2KG | Black Extra High Yield Toner Cartridge                  | Average Continuous Composite CMY Declared Cartridge Yield up to 6,000 standard pages in accordance with ISO/IEC 19798.  |
| C544n/dtm/dw/n, X544n/dtm/dw/n                          |  |       | C544X2MG | Magenta Extra High Yield Toner Cartridge                | Average Continuous Composite CMY Declared Cartridge Yield up to 4,000 standard pages in accordance with ISO/IEC 19798.  |
| C544n/dtm/dw/n, X544n/dtm/dw/n                          |  |       | C544X2YG | Yellow Extra High Yield Toner Cartridge                 | Average Continuous Composite CMY Declared Cartridge Yield up to 4,000 standard pages in accordance with ISO/IEC 19798.  |
| C720/dn/n, X720   |  |       | 15W0900  | Cyan Toner Cartridge                                    | Up to 7,200 pages @ approximately 5% coverage   |
| C720/dn/n, X720   |  |       | 15W0901  | Magenta Toner Cartridge                                 | Up to 7,200 pages @ approximately 5% coverage   |
| C720/dn/n, X720   |  |       | 15W0902  | Yellow Toner Cartridge                                  | Up to 7,200 pages @ approximately 5% coverage   |
| C720/dn/n, X720   |  |       | 15W0903  | Black Toner Cartridge                                   | Up to 12,000 pages @ approximately 5% coverage  |
| C720/dn/n, X720   |  |       | 15W0904  | PhotoDeveloper Kit                                      | Up to 40,000 images   |
| C720/dn/n, X720   |  |       | 15W0905  | Fuser Cleaning Roller                                   | Yield: Up to 12,000 pages (black) or up to 6,000 pages (color).   |
| C720/dn/n, X720   |  |       | 15W0906  | Oil Bottle  | Up to 12,000 pages  |
| C720/dn/n, X720   |  |       | 15W0907  | Waste Toner Bottle                                      | Up to 12,000 images   |
| C720/dn/n, X720   |  |       | 15W0908  | Fuser Maintenance Kit 110-120V                          | Low Volt (110V) Fuser Kit for C720 printer. Yield: Up to 60,000 pages (black) or Up to 40,000 pages (color)   |

# Lexmark Supplies Compatibility Table

## Cartridges and Photoconductor / Other Supplies

| MODEL  |          | PART #  | DESCRIPTION  | AVERAGE YIELD |
|--|----------|---|--|---------------|
| <b>COLOR LASER</b>                                       |          |   |  |               |
| C720/dtn/n, X720   | 15W0918  | Corona Charger                                    | Yield: Up to 20,000 images. One 4-color page—4 images.   |               |
| C734n/dtn/dwr/n, C736n/dtn/n, X734de, X736de, X738de/dte | C734A1CG | Cyan Return Program Toner Cartridge               | Average Continuous CMY Declared Cartridge Yield up to 6,000 standard pages in accordance with ISO/IEC 19798.   |               |
| C734n/dtn/dwr/n, C736n/dtn/n, X734de, X736de, X738de/dte | C734A1KG | Black Return Program Toner Cartridge              | Average Continuous Black Declared Cartridge Yield up to 8,000 standard pages in accordance with ISO/IEC 19798.   |               |
| C734n/dtn/dwr/n, C736n/dtn/n, X734de, X736de, X738de/dte | C734A1MG | Magenta Return Program Toner Cartridge            | Average Continuous CMY Declared Cartridge Yield up to 6,000 standard pages in accordance with ISO/IEC 19798.   |               |
| C734n/dtn/dwr/n, C736n/dtn/n, X734de, X736de, X738de/dte | C734A1YG | Yellow Return Program Toner Cartridge             | Average Continuous CMY Declared Cartridge Yield up to 6,000 standard pages in accordance with ISO/IEC 19798.   |               |
| C734n/dtn/dwr/n, C736n/dtn/n, X734de, X736de, X738de/dte | C734A2CG | Cyan Toner Cartridge                              | Average Continuous CMY Declared Cartridge Yield up to 6,000 standard pages in accordance with ISO/IEC 19798.   |               |
| C734n/dtn/dwr/n, C736n/dtn/n, X734de, X736de, X738de/dte | C734A2KG | Black Toner Cartridge                             | Average Continuous Black Declared Cartridge Yield up to 8,000 standard pages in accordance with ISO/IEC 19798.   |               |
| C734n/dtn/dwr/n, C736n/dtn/n, X734de, X736de, X738de/dte | C734A2MG | Magenta Toner Cartridge                           | Average Continuous CMY Declared Cartridge Yield up to 6,000 standard pages in accordance with ISO/IEC 19798.   |               |
| C734n/dtn/dwr/n, C736n/dtn/n, X734de, X736de, X738de/dte | C734A2YG | Yellow Toner Cartridge                            | Average Continuous CMY Declared Cartridge Yield up to 6,000 standard pages in accordance with ISO/IEC 19798.   |               |
| C734n/dtn/dwr/n, C736n/dtn/n, X734de, X736de, X738de/dte | C734X20G | Photoconductor Unit                               | Yield: Up to 20,000 pages; based on an average of 3 pages per job and approximately 5% coverage per color per page. Yields may vary based on actual customer usage.          |               |
| C734n/dtn/dwr/n, C736n/dtn/n, X734de, X736de, X738de/dte | C734X24G | Photoconductor Unit, 4-Pack                       | Yield for each: Up to 20,000 pages; based on an average of 3 pages per job and approximately 5% coverage per color per page. Yields may vary based on actual customer usage. |               |
| C734n/dtn/dwr/n, C736n/dtn/n, X734de, X736de, X738de/dte | C734X77G | Waste Toner Box                                   | Yield: Up to 25,000 pages  |               |
| C736n/dtn/n, X736de, X738de/dte                          | C736H1CG | Cyan High Yield Return Program Toner Cartridge    | Average Continuous CMY Declared Cartridge Yield up to 10,000 standard pages in accordance with ISO/IEC 19798.  |               |
| C736n/dtn/n, X736de, X738de/dte                          | C736H1KG | Black High Yield Return Program Toner Cartridge   | Average Continuous Black Declared Cartridge Yield up to 12,000 standard pages in accordance with ISO/IEC 19798.  |               |
| C736n/dtn/n, X736de, X738de/dte                          | C736H1MG | Magenta High Yield Return Program Toner Cartridge | Average Continuous CMY Declared Cartridge Yield up to 10,000 standard pages in accordance with ISO/IEC 19798.  |               |
| C736n/dtn/n, X736de, X738de/dte                          | C736H1YG | Yellow High Yield Return Program Toner Cartridge  | Average Continuous CMY Declared Cartridge Yield up to 10,000 standard pages in accordance with ISO/IEC 19798.  |               |

# Lexmark Supplies Compatibility Table

## Cartridges and Photoconductor / Other Supplies

| MODEL  |          | PART #  | DESCRIPTION   | AVERAGE YIELD |
|--|----------|---|---|---------------|
| <b>COLOR LASER</b>   |          |   |   |               |
| C736dn/dtn/n, X736de, X736de/dte   | C736H2CG | Cyan High Yield Toner Cartridge                   | Average Continuous Composite CMY Declared Cartridge Yield up to 10,000 standard pages in accordance with ISO/IEC 19798. |               |
| C736dn/dtn/n, X736de, X736de/dte   | C736H2KG | Black High Yield Toner Cartridge                  | Average Continuous Black Declared Cartridge Yield up to 12,000 standard pages in accordance with ISO/IEC 19798.         |               |
| C736dn/dtn/n, X736de, X736de/dte   | C736H2MG | Magenta High Yield Toner Cartridge                | Average Continuous Composite CMY Declared Cartridge Yield up to 10,000 standard pages in accordance with ISO/IEC 19798. |               |
| C736dn/dtn/n, X736de, X736de/dte   | C736H2YG | Yellow High Yield Toner Cartridge                 | Average Continuous Composite CMY Declared Cartridge Yield up to 10,000 standard pages in accordance with ISO/IEC 19798. |               |
| C750/dn/dm/fh/n/n, C752/Ldn/Ldm/Ln/dm/dtn/fm/n, C750/dn/dm/n, C762/dn/dm/n, C770dn/dm/n, C772dn/dm/n, C780n/dm/n, C782dn/dm XL/dm/dm XL/n/n XL, X750e, X752e, X762e, X772e, X782e/e XL | 1083100  | Waste Toner Container                             | Yield: Up to 180,000 black pages, 50,000 color pages.   |               |
| C750/dn/dm/fh/n/n, X750e   | 108031C  | Cyan Print Cartridge                              | Up to 6,000 pages based on approximately 5% coverage  |               |
| C750/dn/dm/fh/n/n, X750e   | 108031K  | Black Print Cartridge                             | Up to 6,000 pages based on approximately 5% coverage  |               |
| C750/dn/dm/fh/n/n, X750e   | 108031M  | Magenta Print Cartridge                           | Up to 6,000 pages based on approximately 5% coverage  |               |
| C750/dn/dm/fh/n/n, X750e   | 108031Y  | Yellow Print Cartridge                            | Up to 6,000 pages based on approximately 5% coverage  |               |
| C750/dn/dm/fh/n/n, X750e   | 108032K  | Cyan High Yield Print Cartridge                   | Up to 15,000 pages based on approximately 5% coverage   |               |
| C750/dn/dm/fh/n/n, X750e   | 108032M  | Magenta High Yield Print Cartridge                | Up to 15,000 pages based on approximately 5% coverage   |               |
| C750/dn/dm/fh/n/n, X750e   | 108032Y  | Yellow High Yield Print Cartridge                 | Up to 15,000 pages based on approximately 5% coverage   |               |
| C750/dn/dm/fh/n/n, X750e   | 108041C  | Cyan Return Program Print Cartridge               | Up to 6,000 pages based on approximately 5% coverage  |               |
| C750/dn/dm/fh/n/n, X750e   | 108041K  | Black Return Program Print Cartridge              | Up to 6,000 pages based on approximately 5% coverage  |               |
| C750/dn/dm/fh/n/n, X750e   | 108041M  | Magenta Return Program Print Cartridge            | Up to 6,000 pages based on approximately 5% coverage  |               |
| C750/dn/dm/fh/n/n, X750e   | 108041Y  | Yellow Return Program Print Cartridge             | Up to 6,000 pages based on approximately 5% coverage  |               |
| C750/dn/dm/fh/n/n, X750e   | 108042C  | Cyan High Yield Return Program Print Cartridge    | Up to 15,000 pages based on approximately 5% coverage   |               |
| C750/dn/dm/fh/n/n, X750e   | 108042K  | Black High Yield Return Program Print Cartridge   | Up to 15,000 pages based on approximately 5% coverage   |               |
| C750/dn/dm/fh/n/n, X750e   | 108042M  | Magenta High Yield Return Program Print Cartridge | Up to 15,000 pages based on approximately 5% coverage   |               |
| C750/dn/dm/fh/n/n, X750e   | 108042Y  | Yellow High Yield Return Program Print Cartridge  | Up to 15,000 pages based on approximately 5% coverage   |               |
| C752/Ldn/Ldm/Ln/dm/dtn/fh/n, C760/dm/dm/n, C762/dm/dm/n, X752e, X762e  | 156031C  | Cyan Print Cartridge                              | Up to 6,000 pages based on approximately 5% coverage  |               |



# Lexmark Supplies Compatibility Table

## Cartridges and Photoconductor / Other Supplies

| COLOR LASER  | MODEL | PART #  | DESCRIPTION                                       | AVERAGE YIELD  |
|--|-------|---------|---|--|
| C752/Ln1/Ld1m/Ln1/dn/dm/fm/n, C760/dn/dtm/n, C762/dn/dtm/n, X752a, X762a |       | 156031K | Black Print Cartridge                             | Up to 6,000 pages based on approximately 5% coverage   |
| C752/Ln1/Ld1m/Ln1/dn/dm/fm/n, C760/dn/dtm/n, C762/dn/dtm/n, X752a, X762a |       | 156031M | Magenta Print Cartridge                           | Up to 6,000 pages based on approximately 5% coverage   |
| C752/Ln1/Ld1m/Ln1/dn/dm/fm/n, C760/dn/dtm/n, C762/dn/dtm/n, X752a, X762a |       | 156031Y | Yellow Print Cartridge                            | Up to 6,000 pages based on approximately 5% coverage   |
| C752/Ln1/Ld1m/Ln1/dn/dm/fm/n, C760/dn/dtm/n, C762/dn/dtm/n, X752a, X762a |       | 156041C | Cyan Return Program Print Cartridge               | Yield: Up to 6,000 pages at approximately 5% coverage  |
| C752/Ln1/Ld1m/Ln1/dn/dm/fm/n, C760/dn/dtm/n, C762/dn/dtm/n, X752a, X762a |       | 156041K | Black Return Program Print Cartridge              | Yield: Up to 6,000 pages at approximately 5% coverage  |
| C752/Ln1/Ld1m/Ln1/dn/dm/fm/n, C760/dn/dtm/n, C762/dn/dtm/n, X752a, X762a |       | 156041M | Magenta Return Program Print Cartridge            | Up to 6,000 pages based on approximately 5% coverage   |
| C752/Ln1/Ld1m/Ln1/dn/dm/fm/n, C760/dn/dtm/n, C762/dn/dtm/n, X752a, X762a |       | 156041Y | Yellow Return Program Print Cartridge             | Up to 6,000 pages based on approximately 5% coverage   |
| C752/dn/dm/fm/n, C762/dn/dtm/n, X752a, X762a                             |       | 156032C | Cyan High Yield Print Cartridge                   | Up to 15,000 pages based on approximately 5% coverage  |
| C752/dn/dm/fm/n, C762/dn/dtm/n, X752a, X762a                             |       | 156032K | Black High Yield Print Cartridge                  | Up to 15,000 pages based on approximately 5% coverage  |
| C752/dn/dm/fm/n, C762/dn/dtm/n, X752a, X762a                             |       | 156032M | Magenta High Yield Print Cartridge                | Up to 15,000 pages based on approximately 5% coverage  |
| C752/dn/dm/fm/n, C762/dn/dtm/n, X752a, X762a                             |       | 156032Y | Yellow High Yield Print Cartridge                 | Up to 15,000 pages based on approximately 5% coverage  |
| C752/dn/dm/fm/n, C762/dn/dtm/n, X752a, X762a                             |       | 156042C | Cyan High Yield Return Program Print Cartridge    | Up to 15,000 pages based on approximately 5% coverage  |
| C752/dn/dm/fm/n, C762/dn/dtm/n, X752a, X762a                             |       | 156042K | Black High Yield Return Program Print Cartridge   | Up to 15,000 pages based on approximately 5% coverage  |
| C752/dn/dm/fm/n, C762/dn/dtm/n, X752a, X762a                             |       | 156042M | Magenta High Yield Return Program Print Cartridge | Up to 15,000 pages based on approximately 5% coverage  |
| C752/dn/dm/fm/n, C762/dn/dtm/n, X752a, X762a                             |       | 156042Y | Yellow High Yield Return Program Print Cartridge  | Up to 15,000 pages based on approximately 5% coverage  |
| C7700n/dtm/n, C7720n/dm/n, X772e   |       | C7700CH | Cyan High Yield Return Program Print Cartridge    | Yield: Up to 10,000 pages at approximately 5% coverage |
| C7700n/dtm/n, C7720n/dm/n, X772e   |       | C7700CS | Cyan Return Program Print Cartridge               | Yield: Up to 6,000 pages at approximately 5% coverage  |
| C7700n/dtm/n, C7720n/dm/n, X772e   |       | C7700KS | Black High Yield Return Program Print Cartridge   | Yield: Up to 10,000 pages at approximately 5% coverage |
| C7700n/dtm/n, C7720n/dm/n, X772e   |       | C7700MS | Black Return Program Print Cartridge              | Yield: Up to 6,000 pages at approximately 5% coverage  |
| C7700n/dtm/n, C7720n/dm/n, X772e   |       | C7700MH | Magenta High Yield Return Program Print Cartridge | Yield: Up to 10,000 pages at approximately 5% coverage |
| C7700n/dtm/n, C7720n/dm/n, X772e   |       | C7700MS | Magenta Return Program Print Cartridge            | Yield: Up to 6,000 pages at approximately 5% coverage  |
| C7700n/dtm/n, C7720n/dm/n, X772e   |       | C7700H  | Yellow High Yield Return Program Print Cartridge  | Yield: Up to 10,000 pages at approximately 5% coverage |
| C7700n/dtm/n, C7720n/dm/n, X772e   |       | C7700VS | Yellow Return Program Print Cartridge             | Yield: Up to 6,000 pages at approximately 5% coverage  |
| C7700n/dtm/n, C7720n/dm/n, X772e   |       | C7702CH | Cyan High Yield Print Cartridge                   | Yield: Up to 10,000 pages at approximately 5% coverage |

# Lexmark Supplies Compatibility Table

## Cartridges and Photoconductor / Other Supplies

| MODEL                             |                                   | PART #                  | DESCRIPTION  | AVERAGE YIELD  |
|-----------------------------------|-----------------------------------|-------------------------|--|--|
| COLOR LASER                       | C7700n/dtn/n, C7720n/dtn/n, X772e | C7702CS                 | Cyan Print Cartridge   | Yield: Up to 6,000 pages at approximately 5% coverage  |
|                                   | C7700n/dtn/n, C7720n/dtn/n, X772e | C7702KH                 | Black High Yield Print Cartridge   | Yield: Up to 10,000 pages at approximately 5% coverage   |
|                                   | C7700n/dtn/n, C7720n/dtn/n, X772e | C7702KS                 | Black Print Cartridge  | Yield: Up to 6,000 pages at approximately 5% coverage  |
|                                   | C7700n/dtn/n, C7720n/dtn/n, X772e | C7702MH                 | Magenta High Yield Print Cartridge   | Yield: Up to 10,000 pages at approximately 5% coverage   |
|                                   | C7700n/dtn/n, C7720n/dtn/n, X772e | C7702MS                 | Magenta Print Cartridge  | Yield: Up to 6,000 pages at approximately 5% coverage  |
|                                   | C7700n/dtn/n, C7720n/dtn/n, X772e | C7702YH                 | Yellow High Yield Print Cartridge  | Yield: Up to 10,000 pages at approximately 5% coverage   |
|                                   | C7700n/dtn/n, C7720n/dtn/n, X772e | C7702YS                 | Yellow Print Cartridge   | Yield: Up to 6,000 pages at approximately 5% coverage  |
|                                   | C7720n/dtn/n, X772e               | C7720CX                 | Orange Extra High Yield Return Program Print Cartridge   | Yield: Up to 15,000 pages based on approximately 5% coverage   |
|                                   | C7720n/dtn/n, X772e               | C7720KX                 | Black Extra High Yield Return Program Print Cartridge  | Yield: Up to 15,000 pages based on approximately 5% coverage   |
|                                   | C7720n/dtn/n, X772e               | C7720MX                 | Magenta Extra High Yield Return Program Print Cartridge  | Yield: Up to 15,000 pages based on approximately 5% coverage   |
|                                   | C7720n/dtn/n, X772e               | C7720YX                 | Yellow Extra High Yield Return Program Print Cartridge   | Yield: Up to 15,000 pages based on approximately 5% coverage   |
|                                   | C7720n/dtn/n, X772e               | C7722CX                 | Orange Extra High Yield Print Cartridge  | Yield: Up to 15,000 pages based on approximately 5% coverage   |
|                                   | C7720n/dtn/n, X772e               | C7722KX                 | Black Extra High Yield Print Cartridge   | Yield: Up to 15,000 pages based on approximately 5% coverage   |
|                                   | C7720n/dtn/n, X772e               | C7722MX                 | Magenta Extra High Yield Print Cartridge   | Yield: Up to 15,000 pages based on approximately 5% coverage   |
|                                   | C7720n/dtn/n, X772e               | C7722YX                 | Yellow Extra High Yield Print Cartridge  | Yield: Up to 15,000 pages based on approximately 5% coverage   |
|                                   | C7800n/dtn/n, C7820n/dtn/n, X782e | C780A1CG                | Cyan Return Program Print Cartridge  | Average Continuous Composite CMY Declared Cartridge Yield up to 6,000 standard pages in accordance with ISO/IEC 19798. |
|                                   | C7800n/dtn/n, C7820n/dtn/n, X782e | C780A1KG                | Black Return Program Print Cartridge   | Average Continuous Black Declared Cartridge Yield up to 6,000 standard pages in accordance with ISO/IEC 19798.         |
|                                   | C7800n/dtn/n, C7820n/dtn/n, X782e | C780A1MG                | Magenta Return Program Print Cartridge   | Average Continuous Composite CMY Declared Cartridge Yield up to 6,000 standard pages in accordance with ISO/IEC 19798. |
|                                   | C7800n/dtn/n, C7820n/dtn/n, X782e | C780A1YG                | Yellow Return Program Print Cartridge  | Average Continuous Composite CMY Declared Cartridge Yield up to 6,000 standard pages in accordance with ISO/IEC 19798. |
|                                   | C7800n/dtn/n, C7820n/dtn/n, X782e | C780A2CG                | Cyan Print Cartridge   | Average Continuous Composite CMY Declared Cartridge Yield up to 6,000 standard pages in accordance with ISO/IEC 19798. |
| C7800n/dtn/n, C7820n/dtn/n, X782e | C780A2KG                          | Black Print Cartridge   | Average Continuous Black Declared Cartridge Yield up to 6,000 standard pages in accordance with ISO/IEC 19798.         |  |
| C7800n/dtn/n, C7820n/dtn/n, X782e | C780A2MG                          | Magenta Print Cartridge | Average Continuous Composite CMY Declared Cartridge Yield up to 6,000 standard pages in accordance with ISO/IEC 19798. |  |
| C7800n/dtn/n, C7820n/dtn/n, X782e | C780A2YG                          | Yellow Print Cartridge  | Average Continuous Composite CMY Declared Cartridge Yield up to 6,000 standard pages in accordance with ISO/IEC 19798. |  |

# Lexmark Supplies Compatibility Table

## Cartridges and Photoconductor / Other Supplies

| MODEL                                      |          | PART #   | DESCRIPTION   | AVERAGE YIELD |
|--|----------|--|---|---------------|
| COLOR LASER                                |          |  |   |               |
| C7800nr/dtr/n, C7822nr/dtr/n, X782e        | C780H1CG | Cyan High Yield Return Program Print Cartridge                               | Average Continuous Composite CMY Declared Cartridge Yield up to 10,000 standard pages in accordance with ISO/IEC 19798. |               |
| C7800nr/dtr/n, C7822nr/dtr/n, X782e        | C780H1KG | Black High Yield Return Program Print Cartridge                              | Average Continuous Composite CMY Declared Cartridge Yield up to 10,000 standard pages in accordance with ISO/IEC 19798. |               |
| C7800nr/dtr/n, C7822nr/dtr/n, X782e        | C780H1MG | Magenta High Yield Return Program Print Cartridge                            | Average Continuous Composite CMY Declared Cartridge Yield up to 10,000 standard pages in accordance with ISO/IEC 19798. |               |
| C7800nr/dtr/n, C7822nr/dtr/n, X782e        | C780H1YG | Yellow High Yield Return Program Print Cartridge                             | Average Continuous Composite CMY Declared Cartridge Yield up to 10,000 standard pages in accordance with ISO/IEC 19798. |               |
| C7800nr/dtr/n, C7822nr/dtr/n, X782e        | C780H2CG | Cyan High Yield Print Cartridge  | Average Continuous Composite CMY Declared Cartridge Yield up to 10,000 standard pages in accordance with ISO/IEC 19798. |               |
| C7800nr/dtr/n, C7822nr/dtr/n, X782e        | C780H2KG | Black High Yield Print Cartridge   | Average Continuous Composite CMY Declared Cartridge Yield up to 10,000 standard pages in accordance with ISO/IEC 19798. |               |
| C7800nr/dtr/n, C7822nr/dtr/n, X782e        | C780H2MG | Magenta High Yield Print Cartridge   | Average Continuous Composite CMY Declared Cartridge Yield up to 10,000 standard pages in accordance with ISO/IEC 19798. |               |
| C7800nr/dtr/n, C7822nr/dtr/n, X782e        | C780H2YG | Yellow High Yield Print Cartridge  | Average Continuous Composite CMY Declared Cartridge Yield up to 10,000 standard pages in accordance with ISO/IEC 19798. |               |
| C7822nr XL, C7824nr XL, C782n XL, X782e XL | C782U1CG | C782 XL, X782s XL Cyan XL Extra High Yield Return Program Print Cartridge    | Average Continuous Composite CMY Declared Cartridge Yield up to 16,500 standard pages in accordance with ISO/IEC 19798. |               |
| C7822nr XL, C7824nr XL, C782n XL, X782e XL | C782U1KG | C782 XL, X782s XL Black XL Extra High Yield Return Program Print Cartridge   | Average Continuous Composite CMY Declared Cartridge Yield up to 16,500 standard pages in accordance with ISO/IEC 19798. |               |
| C7822nr XL, C7824nr XL, C782n XL, X782e XL | C782U1MG | C782 XL, X782s XL Magenta XL Extra High Yield Return Program Print Cartridge | Average Continuous Composite CMY Declared Cartridge Yield up to 16,500 standard pages in accordance with ISO/IEC 19798. |               |
| C7822nr XL, C7824nr XL, C782n XL, X782e XL | C782U1YG | C782 XL, X782s XL Yellow XL Extra High Yield Return Program Print Cartridge  | Average Continuous Composite CMY Declared Cartridge Yield up to 16,500 standard pages in accordance with ISO/IEC 19798. |               |
| C7822nr XL, C7824nr XL, C782n XL, X782e XL | C782U2CG | C782 XL, X782s XL Cyan XL Extra High Yield Print Cartridge                   | Average Continuous Composite CMY Declared Cartridge Yield up to 16,500 standard pages in accordance with ISO/IEC 19798. |               |
| C7822nr XL, C7824nr XL, C782n XL, X782e XL | C782U2KG | C782 XL, X782s XL Black XL Extra High Yield Print Cartridge                  | Average Continuous Composite CMY Declared Cartridge Yield up to 16,500 standard pages in accordance with ISO/IEC 19798. |               |
| C7822nr XL, C7824nr XL, C782n XL, X782e XL | C782U2MG | C782 XL, X782s XL Magenta XL Extra High Yield Print Cartridge                | Average Continuous Composite CMY Declared Cartridge Yield up to 16,500 standard pages in accordance with ISO/IEC 19798. |               |

# Lexmark Supplies Compatibility Table

## Cartridges and Photoconductor / Other Supplies

| MODEL  |          | PART #  | DESCRIPTION                                     | AVERAGE YIELD   |
|--|----------|---------|---|---|
| <b>COLOR LASER</b>                                 |          |         |   |   |
| C782dn XL, C782dtn XL, C782n XL, X782e XL          | C782L21G | C782XL  | Yellow XL Extra High Yield Print Cartridge      | Average Continuous Composite CMY Declared Cartridge Yield up to 16,500 standard pages in accordance with ISO/IEC 19798.                                 |
| C782dn/dtn/n, X782e                                | C782X10S | Cyan    | Extra High Yield Return Program Print Cartridge | Average Continuous Composite CMY Declared Cartridge Yield up to 15,000 standard pages in accordance with ISO/IEC 19798.                                 |
| C782dn/dtn/n, X782e                                | C782X1KG | Black   | Extra High Yield Return Program Print Cartridge | Average Continuous Black Declared Cartridge Yield up to 15,000 standard pages in accordance with ISO/IEC 19798.   |
| C782dn/dtn/n, X782e                                | C782X1MG | Magenta | Extra High Yield Return Program Print Cartridge | Average Continuous Composite CMY Declared Cartridge Yield up to 15,000 standard pages in accordance with ISO/IEC 19798.                                 |
| C782dn/dtn/n, X782e                                | C782X1YG | Yellow  | Extra High Yield Return Program Print Cartridge | Average Continuous Composite CMY Declared Cartridge Yield up to 15,000 standard pages in accordance with ISO/IEC 19798.                                 |
| C782dn/dtn/n, X782e                                | C782X20S | Cyan    | Extra High Yield Print Cartridge                | Average Continuous Composite CMY Declared Cartridge Yield up to 15,000 standard pages in accordance with ISO/IEC 19798.                                 |
| C782dn/dtn/n, X782e                                | C782X2KG | Black   | Extra High Yield Print Cartridge                | Average Continuous Black Declared Cartridge Yield up to 15,000 standard pages in accordance with ISO/IEC 19798.   |
| C782dn/dtn/n, X782e                                | C782X2MG | Magenta | Extra High Yield Print Cartridge                | Average Continuous Composite CMY Declared Cartridge Yield up to 15,000 standard pages in accordance with ISO/IEC 19798.                                 |
| C782dn/dtn/n, X782e                                | C782X2YG | Yellow  | Extra High Yield Print Cartridge                | Average Continuous Composite CMY Declared Cartridge Yield up to 15,000 standard pages in accordance with ISO/IEC 19798.                                 |
| C910/dn/fw/n/n, C912/dn/fw/n, C920/dn/dtn/n, X912e | 12N0772  | C910    | Color PhotoDeveloper Set (3, CYM)               | One each Cyan, Magenta and Yellow PhotoDeveloper Up to 28,000 pages per color. Actual number of pages will vary depending on individual customer usage. |
| C910/dn/fw/n/n, C912/dn/fw/n, C920/dn/dtn/n, X912e | 12N0773  | C910    | Black PhotoDeveloper                            | Up to 28,000 pages. Actual number of pages will vary depending on individual customer usage.  |
| C910/dn/fw/n/n, C912/dn/fw/n, C920/dn/dtn/n, X912e | C92035X  | C910    | Oil Coating Roller                              | Yield: For Lexmark C920: Up to 15,000 pages. For Lexmark C910 and C912: Up to 14,000 pages.   |
| C910/dn/fw/n/n, C912/dn/fw/n, X912e                | 12N0768  | Cyan    | Toner Cartridge                                 | Yield: Up to 14,000 pages based on approximately 5% coverage  |
| C910/dn/fw/n/n, C912/dn/fw/n, X912e                | 12N0769  | Magenta | Toner Cartridge                                 | Yield: Up to 14,000 pages based on approximately 5% coverage  |
| C910/dn/fw/n/n, C912/dn/fw/n, X912e                | 12N0770  | Yellow  | Toner Cartridge                                 | Yield: Up to 14,000 pages based on approximately 5% coverage  |
| C910/dn/fw/n/n, C912/dn/fw/n, X912e                | 12N0771  | Black   | Toner Cartridge                                 | Yield: Up to 14,000 pages based on approximately 5% coverage  |
| C920/dn/dtn/n                                      | C9202CH  | Cyan    | Toner Cartridge                                 | Yield: Up to 14,000 pages based on approximately 5% coverage  |
| C920/dn/dtn/n                                      | C9202KH  | Black   | Toner Cartridge                                 | Yield: Up to 15,000 pages based on approximately 5% coverage. Includes Oil Coating Roller.  |
| C920/dn/dtn/n                                      | C9202MH  | Magenta | Toner Cartridge                                 | Yield: Up to 14,000 pages based on approximately 5% coverage  |

# Lexmark Supplies Compatibility Table

## Cartridges and Photoconductor / Other Supplies

| MODEL   | PART #   | DESCRIPTION                               | AVERAGE YIELD  |
|---|----------|---|--|
| <b>COLOR LASER</b><br>C920/dtn/dtn/h                  | C3202H1  | Yellow Toner Cartridge                    | Yield: Up to 14,000 pages based on approximately 5% coverage   |
| C9350n/dtn/dtn/hdn                                    | C930H2CG | Cyan High Yield Toner Cartridge           | Average Continuous Composite CMY Declared Cartridge Yield up to 24,000 standard pages in accordance with ISO/IEC 19798.  |
| C9350n/dtn/dtn/hdn                                    | C930H2KG | Black High Yield Toner Cartridge          | Average Continuous Black Declared Cartridge Yield up to 38,000 standard pages in accordance with ISO/IEC 19798.  |
| C9350n/dtn/dtn/hdn                                    | C930H2MG | Magenta High Yield Toner Cartridge        | Average Continuous Composite CMY Declared Cartridge Yield up to 24,000 standard pages in accordance with ISO/IEC 19798.  |
| C9350n/dtn/dtn/hdn                                    | C930H2YG | Yellow High Yield Toner Cartridge         | Average Continuous Composite CMY Declared Cartridge Yield up to 24,000 standard pages in accordance with ISO/IEC 19798.  |
| C9350n/dtn/dtn/hdn, X850e, X852e, X854e, X940e, X945e | 21Z0357  | Booklet Saddle Staple Cartridges (4 pack) | 20,000 staples - 4 packs of 5,000 each   |
| C9350n/dtn/dtn/hdn, X940e, X945e                      | C930X72G | Black Photoconductor Unit 1-Pack          | For C935 and X945e, Yield: Up to 53,000 pages at approximately 5 pages/job usage. For X940e, Yield: Up to 50,000 pages at approximately 5 pages/job usage.                                       |
| C9350n/dtn/dtn/hdn, X940e, X945e                      | C930X73G | CMY Photoconductor Unit 3-Pack            | For C935 and X945e, Yield: For each, up to 47,000 pages at approximately 5 pages/job usage. For X940e, Yield: For each, up to 44,000 pages at approximately 5 pages/job usage. Contains 3 units. |
| C9350n/dtn/dtn/hdn, X940e, X945e                      | C930X76G | Waste Toner Bottle                        | Yield: Up to 30,000 images. One 4-color page = 4 images.   |
| Opra C710C710dn/C710n                                 | 10E0040  | Cyan Print Cartridge                      | Yield: Up to 10,000 pages @ approximately 5% coverage.   |
| Opra C710C710dn/C710n                                 | 10E0041  | Magenta Print Cartridge                   | Yield: Up to 10,000 pages @ approximately 5% coverage.   |
| Opra C710C710dn/C710n                                 | 10E0042  | Yellow Print Cartridge                    | Yield: Up to 10,000 pages @ approximately 5% coverage.   |
| Opra C710C710dn/C710n                                 | 10E0043  | Black Print Cartridge Kit                 | Includes Coating Roll. Yield: Up to 10,000 pages @ approximately 5% coverage.  |
| Opra C710C710dn/C710n                                 | 10E0044  | Coating Roll                              | Yield: up to 15,000 continuous pages. Also sold as part of the Opra C710 Black Print Cartridge Kit, PN 10E0043.  |
| Opra C710C710dn/C710n                                 | 10E0045  | Transfer Kit                              | Yield: * Up to 100K images. One 4-color page = 4 images.   |
| Opra Color 1200/1200n                                 | 12N1450  | Photoconductor Drum - Black               | Includes one photoconductor and one fuser coating roller for black toner. Yield: Up to 13,000 pages.   |
| Opra Color 1200/1200n                                 | 12N1451  | Magenta Toner Cartridge                   | Yield: Up to 6,500 pages @ approximately 5% coverage.  |
| Opra Color 1200/1200n                                 | 12N1452  | Cyan Toner Cartridge                      | Yield: Up to 6,500 pages @ approximately 5% coverage.  |
| Opra Color 1200/1200n                                 | 12N1453  | Yellow Toner Cartridge                    | Yield: Up to 6,500 pages @ approximately 5% coverage.  |
| Opra Color 1200/1200n                                 | 12N1454  | Black Toner Cartridge                     | Yield: Up to 6,500 pages @ approximately 5% coverage.  |
| Opra Color 1200/1200n                                 | 12N1455  | Photoconductor Color (set of 3 CMY)       | Photoconductors for Magenta, Cyan and Yellow, one of each. Yield: 13,000 pages.  |
| Opra SC 1275/SC 1275n                                 | 1361750  | SC1275 Photoconductor Kit                 | Yield: Up to 20,000 pages Mono or 5,000 pages Color.   |
| Opra SC 1275/SC 1275n                                 | 1361751  | SC1275 Black Toner Cartridge              | Yield: Up to 4,500 pages @ approximately 5% coverage.  |

# Lexmark Supplies Compatibility Table

## Cartridges and Photoconductor / Other Supplies

| MODEL   | PART #  | DESCRIPTION                               | AVERAGE YIELD  |
|---|---------|---|--|
| <b>COLOR LASER</b>  |         |   |  |
| Optra SC 1275/SC 1275n  | 1361752 | SC1275 Cyan Toner Cartridge               | Yield: Up to 3,500 pages @ approximately 5% coverage   |
| Optra SC 1275/SC 1275n  | 1361753 | SC1275 Magenta Toner Cartridge            | Yield: Up to 3,500 pages @ approximately 5% coverage   |
| Optra SC 1275/SC 1275n  | 1361754 | SC1275 Yellow Toner Cartridge             | Yield: Up to 3,500 pages @ approximately 5% coverage   |
| <b>LASER</b>  |         |   |  |
| C772n/dtn/n, C782n/dn XL/dtn/dtn XL/n/n XL, C910n, C920/dn/dtn/n, T632dnf, T634dnf, T640/dn/dtn/n/n, T642/dn/dtn/n/n, T644/dn/dtn/n/n, X646ef, X750e, X912e | 11K3188 | Staple Cartridge                          | 9,000 staples per box. Each package contains three refill staple cartridges. A staple cartridge contains 3,000 staples each. |
| <b>MONOCHROME LASER</b>   |         |   |  |
| 245, Optra N 240  | 1382227 | N Staple Cartridge                        | 6,000 staples. A staple cartridge contains 2,000 staples. Contains three refill staple cartridges.                           |
| 4028, 4029, IBM 4019, WinWriter 600   | 1380200 | 4019, 4029 Print Cartridge                | Yield: Up to 7,000 pages based on approximately 5% coverage  |
| 4028, 4029, IBM 4019, WinWriter 600   | 1380520 | 4019, 4029 High Yield Print Cartridge     | Yield: Up to 9,500 pages based on approximately 5% coverage.   |
| 4039  | 1380850 | Print Cartridge                           | Yield: Up to 7,000 pages based on approximately 5% coverage.   |
| 4039  | 1380850 | High Yield Print Cartridge                | Yield: Up to 12,800 pages based on approximately 5% coverage.  |
| 4039 10plus, Optra/plus   | 1382100 | Print Cartridge                           | Yield: Up to 7,000 pages @ approximately 5% coverage   |
| 4039 10plus, Optra/plus   | 1382150 | plus High Yield Print Cartridge           | Yield: Up to 14,000 pages @ approximately 5% coverage.   |
| C950n/dn/dtn/dtn/n, T650n/dn/n, T652n/dn/n, T654dn/dtn/n/n, W840/dn/n, X655dfe/dfe, X650e, X852e, X854e, X940e, X945e                                       | 25A0013 | Staple Cartridges (3 pack)                | 15,000 staples.  |
| E120n   | 120155A | Return Program Toner Cartridge            | Average Cartridge Yield 2,000 standard pages. Declared yield value in accordance with ISO/IEC 19752.                         |
| E120n   | 12026XW | Photoconductor Kit                        | Yield: Up to 25,000 pages at approximately 5% coverage.  |
| E120n   | 120355A | Toner Cartridge                           | Average Cartridge Yield 2,000 standard pages. Declared yield value in accordance with ISO/IEC 19752.                         |
| E210  | 10S0150 | Print Cartridge                           | Average Cartridge Yield 2,000 standard pages. Declared yield value in accordance with ISO/IEC 19752.                         |
| E220  | 12S0300 | Print Cartridge                           | Average Cartridge Yield 2,500 standard pages. Declared yield value in accordance with ISO/IEC 19752.                         |
| E220  | 12S0400 | Return Program Print Cartridge            | Average Cartridge Yield 2,500 standard pages. Declared yield value in accordance with ISO/IEC 19752.                         |
| E230, E232/t, E234/n/n, E238, E240/n/t, E330, E332n/n, E340, E342n/n  | 12A8302 | Photoconductor Kit                        | This Photoconductor Kit is unique to these printers. Yield: Up to 30,000 pages.  |
| E230, E232/t, E234/n/n, E240/n/t, E330, E332n/n, E340, E342n/n  | 240155A | E332, E342 Return Program Toner Cartridge | Average Cartridge Yield 2,500 standard pages. Declared yield value in accordance with ISO/IEC 19752.                         |
| E230, E232/t, E234/n/n, E240/n/t, E330, E332n/n, E340, E342n/n  | 240355A | E332, E342 Toner Cartridge                | Average Cartridge Yield 2,500 standard pages. Declared yield value in accordance with ISO/IEC 19752.                         |

# Lexmark Supplies Compatibility Table

## Cartridges and Photoconductor / Other Supplies

| MODEL  | PART #     | DESCRIPTION                                     | AVERAGE YIELD  |
|--|------------|---|--|
| <b>MONOCHROME LASER</b>  |            |   |  |
| E238   | 23800SW    | Return Program Toner Cartridge                  | Average Cartridge Yield 2,000 standard pages. Declared yield value in accordance with ISO/IEC 19752.   |
| E238   | 23820SW    | Toner Cartridge                                 | Average Cartridge Yield 2,000 standard pages. Declared yield value in accordance with ISO/IEC 19752.   |
| E2500/dh, E350d, E352dn  | E250A11A   | Return Program Toner Cartridge                  | Average Cartridge Yield 3,500 standard pages. Declared yield value in accordance with ISO/IEC 19752.   |
| E250d/dm, E350d, E352dn  | E250A21A   | Toner Cartridge                                 | Average Cartridge Yield 3,500 standard pages. Declared yield value in accordance with ISO/IEC 19752.   |
| E2500/dh, E350d, E352dn, E450dn  | E250A22G   | Photoconductor Kit                              | This Photoconductor Kit is unique to these printers. Yield: Up to 30,000 pages.  |
| E260/d/dn, E360d/dn, E460dn/dw   | E260A11A   | Return Program Toner Cartridge                  | Average Cartridge Yield 3,500 standard pages. Declared yield value in accordance with ISO/IEC 19752.   |
| E260/d/dn, E360d/dn, E460dn/dw   | E260A21A   | Toner Cartridge                                 | Average Cartridge Yield 3,500 standard pages. Declared yield value in accordance with ISO/IEC 19752.   |
| E260/d/dn, E360d/dn, E460dn/dw, X264dn, X363dn, X364dn/dw, X463de, X464de, X466de/dte/dtwe | E260A22G   | Photoconductor Kit                              | Yield: Up to 30,000 pages, based on an average of 3-pages per job and approximately 5% coverage per page. Yields may vary based on customer usage. |
| E320, E322/n   | 08A0475    | Print Cartridge                                 | Average Cartridge Yield 3,000 standard pages. Declared yield value in accordance with ISO/IEC 19752.   |
| E320, E322/n   | 08A0476    | Return Program Print Cartridge                  | Average Cartridge Yield 3,000 standard pages. Declared yield value in accordance with ISO/IEC 19752.   |
| E320, E322/n   | 08A0477    | High Yield Print Cartridge                      | Average Cartridge Yield 6,000 standard pages. Declared yield value in accordance with ISO/IEC 19752.   |
| E321, E323/n   | 08A0478    | High Yield Return Program Print Cartridge       | Average Cartridge Yield 6,000 standard pages. Declared yield value in accordance with ISO/IEC 19752.   |
| E321, E323/n   | 12A7300    | Print Cartridge                                 | Average Cartridge Yield 3,000 standard pages. Declared yield value in accordance with ISO/IEC 19752.   |
| E321, E323/n   | 12A7305    | High Yield Print Cartridge                      | Average Cartridge Yield 6,000 standard pages. Declared yield value in accordance with ISO/IEC 19752.   |
| E321, E323/n   | 12A7400    | Return Program Print Cartridge                  | Average Cartridge Yield 3,000 standard pages. Declared yield value in accordance with ISO/IEC 19752.   |
| E321, E323/n   | 12A7405    | High Yield Return Program Print Cartridge       | Average Cartridge Yield 6,000 standard pages. Declared yield value in accordance with ISO/IEC 19752.   |
| E330, E332n/fm, E340, E342n/fm   | E332, E342 | High Yield Return Program Toner Cartridge       | Average Cartridge Yield 6,000 standard pages. Declared yield value in accordance with ISO/IEC 19752.   |
| E330, E332n/fm, E340, E342n/fm   | 34035HA    | E332, E342 High Yield Toner Cartridge           | Average Cartridge Yield 6,000 standard pages. Declared yield value in accordance with ISO/IEC 19752.   |
| E330d, E352dn  | 34035HA    | High Yield Return Program Toner Cartridge       | Average Cartridge Yield 9,000 standard pages. Declared yield value in accordance with ISO/IEC 19752.   |
| E350d, E352dn  | E352H11A   | High Yield Toner Cartridge                      | Average Cartridge Yield 9,000 standard pages. Declared yield value in accordance with ISO/IEC 19752.   |
| E360d/dm, E460dn/dw  | E360H11A   | High Yield Return Program Toner Cartridge       | Average Cartridge Yield 9,000 standard pages. Declared yield value in accordance with ISO/IEC 19752.   |
| E360d/dh, E460dn/dw  | E360H21A   | High Yield Toner Cartridge                      | Average Cartridge Yield 9,000 standard pages. Declared yield value in accordance with ISO/IEC 19752.   |
| E450dn   | E450A11A   | Return Program Toner Cartridge                  | Average Cartridge Yield 6,000 standard pages. Declared yield value in accordance with ISO/IEC 19752.   |
| E450dn   | E450A21A   | Toner Cartridge                                 | Average Cartridge Yield 6,000 standard pages. Declared yield value in accordance with ISO/IEC 19752.   |
| E450dn   | E450H11A   | High Yield Return Program Toner Cartridge       | Average Cartridge Yield 11,000 standard pages. Declared yield value in accordance with ISO/IEC 19752.  |
| E450dn   | E450H21A   | High Yield Toner Cartridge                      | Average Cartridge Yield 11,000 standard pages. Declared yield value in accordance with ISO/IEC 19752.  |
| E460dn/dw  | E460X11A   | Extra High Yield Return Program Toner Cartridge | Average Cartridge Yield 15,000 standard pages. Declared yield value in accordance with ISO/IEC 19752.  |

# Lexmark Supplies Compatibility Table

## Cartridges and Photoconductor / Other Supplies

| MONOCHROME LASER   |  | PART #   | DESCRIPTION  | AVERAGE YIELD   |
|--|--|----------|--|---|
| E600hr/dw  |  | E600X21A | Extra High Yield Toner Cartridge                                   | Average Cartridge Yield 15,000 standard pages. Declared yield value in accordance with ISO/IEC 19752.   |
| M412, Optra M410/M410n/M412/M412n                                    |  | 1760152  | M412 Print Cartridge   | Average Cartridge Yield 5,000 standard pages. Declared yield value in accordance with ISO/IEC 19752.  |
| M412, Optra M410/M410n/M412/M412n                                    |  | 1760154  | M412 High Yield Print Cartridge                                    | Average Cartridge Yield 15,000 standard pages. Declared yield value in accordance with ISO/IEC 19752.   |
| Optra E/Ep/Es/E+   |  | 6968256  | Optra E Toner Cartridge  | Yield: Up to 3,000 pages based on approximately 5% coverage.  |
| Optra E/Ep/Es/E+   |  | 6968257  | Optra E Photoconductor Unit  | Yield: 20,000 pages at 5% coverage.   |
| Optra E310/E312/E312L  |  | 1310101  | E312 High Yield Print Cartridge                                    | Yield: Up to 6,000 pages @ approximately 5% coverage  |
| Optra E310/E312/E312L  |  | 1310301  | E312 Print Cartridge   | Yield: Up to 3,000 pages @ approximately 5% coverage  |
| Optra K 1220   |  | 11A4086  | K Print Unit   | Print Unit and 2,500-page Toner Cartridge/Print Unit - Yield: up to 32,500 pages @ approximately 5% coverage  |
| Optra K 1220   |  | 11A4087  | K Toner Cartridge - Twin Pack                                      | The Toner Cartridge has a 5,000 page yield, each, at approximately 5% print coverage. (2 Cartridges per Package)  |
| Optra K 1220   |  | 12A4605  | K Toner Cartridge  | The Toner Cartridge has a 5,000 page yield, each, at 5% print coverage. (1 Cartridge per Package)   |
| Optra M410/M410n   |  | 4K00199  | High Yield Print Cartridge   | Average Cartridge Yield 10,000 standard pages. Declared yield value in accordance with ISO/IEC 19752.   |
| Optra S 1250/S 1255/S 1620/S 1625/S 1650/S 1855/S 2420/S 2450/S 2455 |  | 1382620  | S Print Cartridge  | Yield: Up to 7,500 pages @ approximately 5% coverage.   |
| Optra S 1250/S 1255/S 1620/S 1625/S 1650/S 1855/S 2420/S 2450/S 2455 |  | 1382625  | S High Yield Print Cartridge                                       | Yield: Up to 17,600 pages at approximately 5% print coverage.   |
| Optra S 1250/S 1255/S 1620/S 1625/S 1650/S 1855/S 2420/S 2450/S 2455 |  | 1382920  | S Return Program Print Cartridge                                   | Yield: Up to 7,500 pages @ approximately 5% coverage.   |
| Optra S 1250/S 1255/S 1620/S 1625/S 1650/S 1855/S 2420/S 2450/S 2455 |  | 1382925  | S High Yield Return Program Print Cartridge                        | Yield: Up to 17,600 pages @ approximately 5% coverage.  |
| Optra S 1250/S 1255/S 1620/S 1625/S 1650/S 1855/S 2420/S 2450/S 2455 |  | 1382929  | S High Yield Return Program Print Cartridge for Label Applications | This print cartridge comes with oiled fuser wipers for customers that do extensive label printing. Yield: Up to 17,600 pages @ approximately 5% coverage. |
| Optra Se 3455  |  | 12A0725  | Print Cartridge  | Yield: Up to 23,000 pages @ approximately 5% coverage   |
| Optra Se 3455  |  | 12A0825  | Return Program Print Cartridge                                     | Yield: Up to 23,000 pages @ approximately 5% coverage   |
| Optra Se 3455  |  | 12A0829  | Return Program Print Cartridge for Label Applications              | Yield: Up to 23,000 pages @ approximately 5% coverage. This cartridge comes with oiled fuser wipers for customers that do extensive label printing.       |



# Lexmark Supplies Compatibility Table

## Cartridges and Photoconductor / Other Supplies

| MODEL  | PART #  | DESCRIPTION  | AVERAGE YIELD  |
|--|---------|--|--|
| <b>MONOCHROME LASER</b>  |         |  |  |
| Opra T610/W610m/W612/W614/W614m/W614n/W614r/W616/W616n             | 12A6740 | T Print Cartridge  | Yield: 10,000 pages at approximately 5% print coverage at comparable industry settings (toner darkness = 5).     |
| Opra T610/W610m/W612/W614/W614m/W614n/W614r/W616/W616n             | 12A6745 | T High Yield Print Cartridge                                       | Yield: 25,000 pages at approximately 5% print coverage at comparable industry settings (toner darkness = 5).     |
| Opra T610/W610m/W612/W614/W614m/W614n/W614r/W616/W616n             | 12A6840 | T Return Program Print Cartridge                                   | Yield: 10,000 pages at approximately 5% print coverage at comparable industry settings (toner darkness = 5).     |
| Opra T610/W610m/W612/W614/W614m/W614n/W614r/W616/W616n             | 12A6845 | T High Yield Return Program Print Cartridge                        | Yield: 25,000 pages at approximately 5% print coverage at comparable industry settings (toner darkness = 5).     |
| Opra T610/W610m/W612/W614/W614m/W614n/W614r/W616/W616n             | 12A6849 | T High Yield Return Program Print Cartridge for Label Applications | Yield: 25,000 pages at approximately 5% print coverage at comparable industry settings (toner darkness = 5).     |
| Opra W810/W810dn/W810m/Image W810s                                 | 12L0250 | Toner Cartridge  | Yield: Up to 20,000 pages @ approximately 5% coverage  |
| Opra W810/W810dn/W810m/Image W810s                                 | 12L0251 | Photoconductor Kit   | Yield: Up to 90,000 pages when printing simplex.   |
| Opra W810/W810dn/W810m/Image W810s, W820/dn/n, X820e, X830e, X832e | 12L0252 | W810 Staple Cartridges (3 pack)                                    | 15,000 staples. Each package contains three refill staple cartridges. A staple cartridge contains 5,000 staples. |
| T4200/dn   | 12A7310 | Print Cartridge  | Average Cartridge Yield 5,000 standard pages. Declared yield value in accordance with ISO/IEC 19752.             |
| T4200/dn   | 12A7315 | High Yield Print Cartridge   | Average Cartridge Yield 10,000 standard pages. Declared yield value in accordance with ISO/IEC 19752.            |
| T4200/dn   | 12A7410 | Return Program Print Cartridge                                     | Average Cartridge Yield 5,000 standard pages. Declared yield value in accordance with ISO/IEC 19752.             |
| T4200/dn   | 12A7415 | High Yield Return Program Print Cartridge                          | Average Cartridge Yield 10,000 standard pages. Declared yield value in accordance with ISO/IEC 19752.            |
| T430/d/nr/dm   | 12A8320 | Print Cartridge  | Average Cartridge Yield 6,000 standard pages. Declared yield value in accordance with ISO/IEC 19752.             |
| T430/d/nr/dm   | 12A8325 | High Yield Print Cartridge   | Average Cartridge Yield 12,000 standard pages. Declared yield value in accordance with ISO/IEC 19752.            |
| T430/d/nr/dm   | 12A8420 | Return Program Print Cartridge                                     | Average Cartridge Yield 6,000 standard pages. Declared yield value in accordance with ISO/IEC 19752.             |
| T430/d/nr/dm   | 12A8425 | High Yield Return Program Print Cartridge                          | Average Cartridge Yield 12,000 standard pages. Declared yield value in accordance with ISO/IEC 19752.            |
| T520/d/nr/n, T522/dn/n, X520, X522/s                               | 12A6730 | Print Cartridge  | Average Cartridge Yield 7,500 standard pages. Declared yield value in accordance with ISO/IEC 19752.             |
| T520/d/nr/n, T522/dn/n, X520, X522/s                               | 12A6735 | High Yield Print Cartridge   | Average Cartridge Yield 20,000 standard pages. Declared yield value in accordance with ISO/IEC 19752.            |
| T520/d/nr/n, T522/dn/n, X520, X522/s                               | 12A6830 | Return Program Print Cartridge                                     | Average Cartridge Yield 7,500 standard pages. Declared yield value in accordance with ISO/IEC 19752.             |
| T520/d/nr/n, T522/dn/n, X520, X522/s                               | 12A6835 | High Yield Return Program Print Cartridge                          | Average Cartridge Yield 20,000 standard pages. Declared yield value in accordance with ISO/IEC 19752.            |

# Lexmark Supplies Compatibility Table

## Cartridges and Photoconductor / Other Supplies

| MODEL  | PART #  | DESCRIPTION  | AVERAGE YIELD   |
|--|---------|--|---|
| <b>MONOCHROME LASER</b>  |         |  |   |
| T520/dtn/n, T522/dtn/n, X520, X522/s   | 1246839 | High Yield Return Program Print Cartridge for Label Applications       | Average Cartridge Yield 20,000 standard pages. Declared yield value in accordance with ISO/IEC 19752. |
| T620/dtn/n, T622/dtn/n/n, X620e  | 1246760 | Print Cartridge  | Average Cartridge Yield 10,000 standard pages. Declared yield value in accordance with ISO/IEC 19752. |
| T620/dtn/n, T622/dtn/n/n, X620e  | 1246765 | High Yield Print Cartridge   | Average Cartridge Yield 30,000 standard pages. Declared yield value in accordance with ISO/IEC 19752. |
| T620/dtn/n, T622/dtn/n/n, X620e  | 1246680 | Return Program Print Cartridge   | Average Cartridge Yield 10,000 standard pages. Declared yield value in accordance with ISO/IEC 19752. |
| T620/dtn/n, T622/dtn/n/n, X620e  | 1246685 | High Yield Return Program Print Cartridge                              | Average Cartridge Yield 30,000 standard pages. Declared yield value in accordance with ISO/IEC 19752. |
| T620/dtn/n, T622/dtn/n/n, X620e  | 1246689 | High Yield Return Program Print Cartridge for Label Applications       | Average Cartridge Yield 30,000 standard pages. Declared yield value in accordance with ISO/IEC 19752. |
| T630/VE/dn/n/n VE, T632/dtn/dtn/n/n/n, T634/dtn/dtn/n/n/n, X630, X632/e/s, X634dt/dt3e/dte/e | 1247360 | Print Cartridge  | Average Cartridge Yield 5,000 standard pages. Declared yield value in accordance with ISO/IEC 19752.  |
| T630/VE/dn/n/n VE, T632/dtn/dtn/n/n/n, T634/dtn/dtn/n/n/n, X630, X632/e/s, X634dt/dt3e/dte/e | 1247362 | High Yield Print Cartridge   | Average Cartridge Yield 21,000 standard pages. Declared yield value in accordance with ISO/IEC 19752. |
| T630/VE/dn/n/n VE, T632/dtn/dtn/n/n/n, T634/dtn/dtn/n/n/n, X630, X632/e/s, X634dt/dt3e/dte/e | 1247460 | Return Program Print Cartridge   | Average Cartridge Yield 5,000 standard pages. Declared yield value in accordance with ISO/IEC 19752.  |
| T630/VE/dn/n/n VE, T632/dtn/dtn/n/n/n, T634/dtn/dtn/n/n/n, X630, X632/e/s, X634dt/dt3e/dte/e | 1247462 | High Yield Return Program Print Cartridge                              | Average Cartridge Yield 21,000 standard pages. Declared yield value in accordance with ISO/IEC 19752. |
| T630/VE/dn/n/n VE, T632/dtn/dtn/n/n/n, T634/dtn/dtn/n/n/n, X630, X632/e/s, X634dt/dt3e/dte/e | 1247468 | High Yield Return Program Print Cartridge for Label Applications       | Average Cartridge Yield 21,000 standard pages. Declared yield value in accordance with ISO/IEC 19752. |
| T632/dtn/dtn/n/n, T634/dtn/dtn/n/n/n, X632/e/s, X634dt/dt3e/dte/e                            | 1247365 | Extra High Yield Print Cartridge                                       | Average Cartridge Yield 32,000 standard pages. Declared yield value in accordance with ISO/IEC 19752. |
| T632/dtn/dtn/n/n, T634/dtn/dtn/n/n/n, X632/e/s, X634dt/dt3e/dte/e                            | 1247465 | Extra High Yield Return Program Print Cartridge                        | Average Cartridge Yield 32,000 standard pages. Declared yield value in accordance with ISO/IEC 19752. |
| T632/dtn/dtn/n/n, T634/dtn/dtn/n/n/n, X632/e/s, X634dt/dt3e/dte/e                            | 1247469 | Extra High Yield Return Program Print Cartridge for Label Applications | Average Cartridge Yield 32,000 standard pages. Declared yield value in accordance with ISO/IEC 19752. |
| T640/dtn/dtn/n/n, T642/dtn/dtn/n/n, T644/dtn/dtn/n/n   | 64004HA | High Yield Return Program Print Cartridge for Label Applications       | Average Cartridge Yield 21,000 standard pages. Declared yield value in accordance with ISO/IEC 19752. |

# Lexmark Supplies Compatibility Table

## Cartridges and Photoconductor / Other Supplies

| MONOCHROME LASER                                     |  | MODEL                | PART #   | DESCRIPTION  | AVERAGE YIELD |
|--|--|----------------------|--|--|---------------|
| T640/dn/dtm/n/tn, T642/dn/dtm/n/tn, T644/dn/dtm/n/tn |  | 64015HA              | High Yield Return Program Print Cartridge                              | Average Cartridge Yield 21,000 standard pages. Declared yield value in accordance with ISO/IEC 19752.  |               |
| T640/dn/dtm/n/tn, T642/dn/dtm/n/tn, T644/dn/dtm/n/tn |  | 64015SA              | Return Program Print Cartridge   | Average Cartridge Yield 6,000 standard pages. Declared yield value in accordance with ISO/IEC 19752.   |               |
| T640/dn/dtm/n/tn, T642/dn/dtm/n/tn, T644/dn/dtm/n/tn |  | 64035HA              | High Yield Print Cartridge   | Average Cartridge Yield 21,000 standard pages. Declared yield value in accordance with ISO/IEC 19752.  |               |
| T640/dn/dtm/n/tn, T642/dn/dtm/n/tn, T644/dn/dtm/n/tn |  | 64035SA              | Print Cartridge  | Average Cartridge Yield 6,000 standard pages. Declared yield value in accordance with ISO/IEC 19752.   |               |
| T644/dn/dtm/n/tn                                     |  | 64400XA              | Extra High Yield Return Program Print Cartridge for Label Applications | Average Cartridge Yield 32,000 standard pages. Declared yield value in accordance with ISO/IEC 19752.  |               |
| T644/dn/dtm/n/tn                                     |  | 64415XA              | Extra High Yield Return Program Print Cartridge                        | Average Cartridge Yield 32,000 standard pages. Declared yield value in accordance with ISO/IEC 19752.  |               |
| T644/dn/dtm/n/tn                                     |  | 64435XA              | Extra High Yield Print Cartridge                                       | Average Cartridge Yield 32,000 standard pages. Declared yield value in accordance with ISO/IEC 19752.  |               |
| T650dn/dtm/n, T652dn/dtm/n, T654dn/dtm/n             |  | T650A11A<br>T650A21A | Return Program Print Cartridge<br>Print Cartridge                      | Average Cartridge Yield 7,000 standard pages. Declared yield value in accordance with ISO/IEC 19752.<br>Average Cartridge Yield 7,000 standard pages. Declared yield value in accordance with ISO/IEC 19752. |               |
| T650dn/dtm/n, T652dn/dtm/n, T654dn/dtm/n             |  | T650H04A             | High Yield Return Program Print Cartridge for Label Applications       | Average Cartridge Yield 25,000 standard pages. Declared yield value in accordance with ISO/IEC 19752. This print cartridge comes with oiler wipers for customers that do extensive label printing.           |               |
| T650dn/dtm/n, T652dn/dtm/n, T654dn/dtm/n             |  | T650H11A             | High Yield Return Program Print Cartridge                              | Average Cartridge Yield 25,000 standard pages. Declared yield value in accordance with ISO/IEC 19752.  |               |
| T650dn/dtm/n, T652dn/dtm/n, T654dn/dtm/n             |  | T650H21A             | High Yield Print Cartridge   | Average Cartridge Yield 25,000 standard pages. Declared yield value in accordance with ISO/IEC 19752.  |               |
| T654dn/dtm/n   |  | T654X04A             | Extra High Yield Return Program Print Cartridge for Label Applications | Average Cartridge Yield 36,000 standard pages. Declared yield value in accordance with ISO/IEC 19752. This print cartridge comes with oiler wipers for customers that do extensive label printing.           |               |
| T654dn/dtm/n   |  | T654X11A             | Extra High Yield Return Program Print Cartridge                        | Average Cartridge Yield 36,000 standard pages. Declared yield value in accordance with ISO/IEC 19752.  |               |
| T654dn/dtm/n   |  | T654X21A             | Extra High Yield Print Cartridge                                       | Average Cartridge Yield 36,000 standard pages. Declared yield value in accordance with ISO/IEC 19752.  |               |
| W612/dtm/tn  |  | 14K0050              | Print Cartridge  | Average Cartridge Yield 12,000 standard pages. Declared yield value in accordance with ISO/IEC 19752.  |               |

# Lexmark Supplies Compatibility Table

## Cartridges and Photoconductor / Other Supplies

| MODEL  | PART #   | DESCRIPTION  | AVERAGE YIELD   |
|--|----------|--|---|
| <b>MONOCHROME LASER</b>  |          |  |   |
| W820/dn/n, X620e   | 12B0090  | Print Cartridge  | Average Cartridge Yield 30,000 standard pages. Declared yield value in accordance with ISO/IEC 19752.   |
| W840/dn/n  | W84020H  | Toner Cartridge  | Average Cartridge Yield 30,000 standard pages. Declared yield value in accordance with ISO/IEC 19752.   |
| W840/dn/n  | W84030H  | Photoconductor Kit   | Yield: Up to 60,000* pages when printing simplex. *at approximately 5% coverage   |
| <b>MULTIFUNCTION LASER</b>   |          |  |   |
| Clinical Assistant, Education Station, Legal Partner, X642e, X644e, X6460te/e/ef | X644A11A | Return Program Print Cartridge   | Average Cartridge Yield 10,000 standard pages. Declared yield value in accordance with ISO/IEC 19752.   |
| Clinical Assistant, Education Station, Legal Partner, X642e, X644e, X6460te/e/ef | X644A21A | Print Cartridge  | Average Cartridge Yield 10,000 standard pages. Declared yield value in accordance with ISO/IEC 19752.   |
| Clinical Assistant, Education Station, Legal Partner, X642e, X644e, X6460te/e/ef | X644H01A | High Yield Return Program Print Cartridge for Label Applications       | Average Cartridge Yield 21,000 standard pages. Declared yield value in accordance with ISO/IEC 19752.   |
| Clinical Assistant, Education Station, Legal Partner, X642e, X644e, X6460te/e/ef | X644H11A | High Yield Return Program Print Cartridge                              | Average Cartridge Yield 21,000 standard pages. Declared yield value in accordance with ISO/IEC 19752.   |
| Clinical Assistant, Education Station, Legal Partner, X642e, X644e, X6460te/e/ef | X644H21A | High Yield Print Cartridge   | Average Cartridge Yield 21,000 standard pages. Declared yield value in accordance with ISO/IEC 19752.   |
| Clinical Assistant, Education Station, Legal Partner, X644e, X6460te/e/ef        | X644X01A | Extra High Yield Return Program Print Cartridge for Label Applications | Average Cartridge Yield 32,000 standard pages. Declared yield value in accordance with ISO/IEC 19752.   |
| Clinical Assistant, Education Station, Legal Partner, X644e, X6460te/e/ef        | X644X11A | Extra High Yield Return Program Print Cartridge                        | Average Cartridge Yield 32,000 standard pages. Declared yield value in accordance with ISO/IEC 19752.   |
| Clinical Assistant, Education Station, Legal Partner, X644e, X6460te/e/ef        | X644X21A | Extra High Yield Print Cartridge                                       | Average Cartridge Yield 32,000 standard pages. Declared yield value in accordance with ISO/IEC 19752.   |
| X204n  | X203A11G | Return Program Toner Cartridge   | Average Cartridge Yield 2,500 standard pages. Declared yield value in accordance with ISO/IEC 19752.  |
| X204n  | X203A21G | Toner Cartridge  | Average Cartridge Yield 2,500 standard pages. Declared yield value in accordance with ISO/IEC 19752.  |
| X204n  | X203H22G | Photoconductor Kit   | Yield: Up to 25,000 pages, based on an average of 3 pages per job and approximately 5% coverage per page. Yields may vary based on actual customer usage. |
| X215/n   | 18S0090  | Print Cartridge  | Average Cartridge Yield 3,200 standard pages. Declared yield value in accordance with ISO/IEC 19752.  |
| X264dn, X363dn, X364dn/dw  | X264A11G | Return Program Toner Cartridge   | Average Cartridge Yield 3,500 standard pages. Declared yield value in accordance with ISO/IEC 19752.  |
| X264dn, X363dn, X364dn/dw  | X264A21G | Toner Cartridge  | Average Cartridge Yield 3,500 standard pages. Declared yield value in accordance with ISO/IEC 19752.  |
| X264dn, X363dn, X364dn/dw  | X264H11G | High Yield Return Program Toner Cartridge                              | Average Cartridge Yield 9,000 standard pages. Declared yield value in accordance with ISO/IEC 19752.  |
| X264dn, X363dn, X364dn/dw  | X264H21G | High Yield Toner Cartridge   | Average Cartridge Yield 9,000 standard pages. Declared yield value in accordance with ISO/IEC 19752.  |

# Lexmark Supplies Compatibility Table

## Cartridges and Photoconductor / Other Supplies

| MODEL                          | PART #    | DESCRIPTION                                     | AVERAGE YIELD   |
|--------------------------------|-----------|---|---|
| <b>MULTIFUNCTION LASER</b>     |           |   |   |
| X340n, X342n                   | X340A11G  | Return Program Toner Cartridge                  | Average Cartridge Yield 2,500 standard pages. Declared yield value in accordance with ISO/IEC 19752.                    |
| X340n, X342n                   | X340A21G  | Toner Cartridge                                 | Average Cartridge Yield 2,500 standard pages. Declared yield value in accordance with ISO/IEC 19752.                    |
| X340n, X342n                   | X340H22G  | Photoconductor Kit                              | Yield-Up to 30,000 pages based on approximately 5% coverage   |
| X342n                          | X340H11G  | High Yield Return Program Toner Cartridge       | Average Cartridge Yield 6,000 standard pages. Declared yield value in accordance with ISO/IEC 19752.                    |
| X342n                          | X340H21G  | High Yield Toner Cartridge                      | Average Cartridge Yield 6,000 standard pages. Declared yield value in accordance with ISO/IEC 19752.                    |
| X422                           | 12A3710   | Print Cartridge                                 | Average Cartridge Yield 6,000 standard pages. Declared yield value in accordance with ISO/IEC 19752.                    |
| X422                           | 12A3715   | High Yield Print Cartridge                      | Average Cartridge Yield 12,000 standard pages. Declared yield value in accordance with ISO/IEC 19752.                   |
| X422                           | 12A4710   | Return Program Print Cartridge                  | Average Cartridge Yield 6,000 standard pages. Declared yield value in accordance with ISO/IEC 19752.                    |
| X422                           | 12A4715   | High Yield Return Program Print Cartridge       | Average Cartridge Yield 12,000 standard pages. Declared yield value in accordance with ISO/IEC 19752.                   |
| X463de, X464de, X466de/dte/dwe | X463A11G  | Return Program Toner Cartridge                  | Average Cartridge Yield 3,500 standard pages. Declared yield value in accordance with ISO/IEC 19752.                    |
| X463de, X464de, X466de/dte/dwe | X463A21G  | Toner Cartridge                                 | Average Cartridge Yield 3,500 standard pages. Declared yield value in accordance with ISO/IEC 19752.                    |
| X463de, X464de, X466de/dte/dwe | X463H11G  | High Yield Return Program Toner Cartridge       | Average Cartridge Yield 9,000 standard pages. Declared yield value in accordance with ISO/IEC 19752.                    |
| X463de, X464de, X466de/dte/dwe | X463H21G  | High Yield Toner Cartridge                      | Average Cartridge Yield 9,000 standard pages. Declared yield value in accordance with ISO/IEC 19752.                    |
| X463de, X464de, X466de/dte/dwe | X463X11G  | Extra High Yield Return Program Toner Cartridge | Average Cartridge Yield 15,000 standard pages. Declared yield value in accordance with ISO/IEC 19752.                   |
| X463de, X464de, X466de/dte/dwe | X463X21G  | Extra High Yield Toner Cartridge                | Average Cartridge Yield 15,000 standard pages. Declared yield value in accordance with ISO/IEC 19752.                   |
| X560n                          | X560A2C05 | Cyan Print Cartridge                            | Average Continuous Composite CMY Declared Cartridge Yield up to 4,000 standard pages in accordance with ISO/IEC 19798.  |
| X560n                          | X560A2MG  | Magenta Print Cartridge                         | Average Continuous Composite CMY Declared Cartridge Yield up to 4,000 standard pages in accordance with ISO/IEC 19798.  |
| X560n                          | X560A2YG  | Yellow Print Cartridge                          | Average Continuous Composite CMY Declared Cartridge Yield up to 4,000 standard pages in accordance with ISO/IEC 19798.  |
| X560n                          | X560H2C05 | Cyan High Yield Print Cartridge                 | Average Continuous Composite CMY Declared Cartridge Yield up to 10,000 standard pages in accordance with ISO/IEC 19798. |
| X560n                          | X560H2KG  | Black High Yield Print Cartridge                | Average Continuous Black Declared Cartridge Yield up to 10,000 standard pages in accordance with ISO/IEC 19798.         |
| X560n                          | X560H2MG  | Magenta High Yield Print Cartridge              | Average Continuous Composite CMY Declared Cartridge Yield up to 10,000 standard pages in accordance with ISO/IEC 19798. |

# Lexmark Supplies Compatibility Table

## Cartridges and Photoconductor / Other Supplies

| MULTIFUNCTION LASER   |  | PART #   | DESCRIPTION  | AVERAGE YIELD  |
|---|--|----------|--|--|
| X560n   |  | X560H2/G | Yellow High Yield Print Cartridge                                      | Average Continuous Composite CMY Declared Cartridge Yield up to 10,000 standard pages in accordance with ISO/IEC 19798.  |
| X6511de, X6524e, X654de, X6554de/dte, X6584e/dte/dme/dte/dtme |  | X651A11A | Return Program Print Cartridge   | Average Cartridge Yield 7,000 standard pages. Declared yield value in accordance with ISO/IEC 19752.   |
| X6511de, X6524e, X654de, X6554de/dte, X6584e/dte/dme/dte/dtme |  | X651A21A | Print Cartridge  | Average Cartridge Yield 7,000 standard pages. Declared yield value in accordance with ISO/IEC 19752.   |
| X6511de, X6524e, X654de, X6554de/dte, X6584e/dte/dme/dte/dtme |  | X651H04A | High Yield Return Program Print Cartridge for Label Applications       | Average Cartridge Yield 25,000 standard pages. Declared yield value in accordance with ISO/IEC 19752. This print cartridge comes with oiled fuser wipers for customers that do extensive label printing. |
| X6511de, X6524e, X654de, X6554de/dte, X6584e/dte/dme/dte/dtme |  | X651H11A | High Yield Return Program Print Cartridge                              | Average Cartridge Yield 25,000 standard pages. Declared yield value in accordance with ISO/IEC 19752.  |
| X6511de, X6524e, X654de, X6554de/dte, X6584e/dte/dme/dte/dtme |  | X651H21A | High Yield Print Cartridge   | Average Cartridge Yield 25,000 standard pages. Declared yield value in accordance with ISO/IEC 19752.  |
| X654de, X6564e/dte, X6584e/dte/dme/dte/dtme                   |  | X654X04A | Extra High Yield Return Program Print Cartridge for Label Applications | Average Cartridge Yield 36,000 standard pages. Declared yield value in accordance with ISO/IEC 19752. This print cartridge comes with oiled fuser wipers for customers that do extensive label printing. |
| X654de, X6564e/dte, X6584e/dte/dme/dte/dtme                   |  | X654X11A | Extra High Yield Return Program Print Cartridge                        | Average Cartridge Yield 36,000 standard pages. Declared yield value in accordance with ISO/IEC 19752.  |
| X654de, X6564e/dte, X6584e/dte/dme/dte/dtme                   |  | X654X21A | Extra High Yield Print Cartridge                                       | Average Cartridge Yield 36,000 standard pages. Declared yield value in accordance with ISO/IEC 19752.  |
| X630e, X632e  |  | X6302R1  | Print Cartridge  | Average Cartridge Yield 30,000 standard pages. Declared yield value in accordance with ISO/IEC 19752.  |
| X650e, X652e, X654e   |  | X650H21G | Toner Cartridge  | Average Cartridge Yield 30,000 standard pages. Declared yield value in accordance with ISO/IEC 19752.  |
| X650e, X652e, X654e   |  | X650H22G | Photoconductor Kit   | Yield at approximately 5% coverage: For X650e: Up to 48,000* pages; For X652e: Up to 60,000* pages; For X654e: Up to 70,000* pages; *when printing simplex   |
| X940e, X945e  |  | X945X20G | Ojan High Yield Toner Cartridge  | Average Continuous Composite CMY Declared Cartridge Yield up to 22,000 standard pages in accordance with ISO/IEC 19798.  |
| X940e, X945e  |  | X945X2XG | Black High Yield Toner Cartridge                                       | Average Continuous Black Declared Cartridge Yield up to 36,000 standard pages in accordance with ISO/IEC 19798.  |

# Lexmark Supplies Compatibility Table

## Cartridges and Photoconductor / Other Supplies

| MODEL  | PART #   | DESCRIPTION                                 | AVERAGE YIELD  |
|--|----------|---|--|
| <b>MULTIFUNCTION LASER</b>   |          |   |  |
| X940e, X945e   | X945X2MG | Magenta High Yield Toner Cartridge          | Average Continuous Composite CMY Declared Cartridge Yield up to 22,000 standard pages in accordance with ISO/IEC 19798.      |
| X940e, X945e   | X945X2YG | Yellow High Yield Toner Cartridge           | Average Continuous Composite CMY Declared Cartridge Yield up to 22,000 standard pages in accordance with ISO/IEC 19798.      |
| <b>DOT MATRIX</b>  |          |   |  |
| 2380, 2381, 2390, 2391, 2480, 2481, 2490, 2491, 2580/n, 2581/n, 2590/n, 2591/n | 11A3540  | 24XX Standard Yield Black Re-linking Ribbon | Yield: 4 million characters @ draft 10 pitch.  |
| 2480, 2481, 2490, 2491, 2580/n, 2581/n, 2590/n, 2591/n                         | 11A3550  | 24xx High Yield Black Re-linking Ribbon     | Yield: 8 million characters at draft 10 pitch.   |
| 42Z7i plus   | 13L0034  | plus Ribbon                                 | The average 15-million-character yield allows extended, unattended printing without the worry of needing to change supplies. |

# Lexmark Supplies Compatibility Table

## Paper & Transparencies

| DESCRIPTION                                     |          | PART #  | MODEL |
|---|----------|---|-------|
| <b>SINGLE FUNCTION COLOR INKJET</b>             |          |   |       |
| InkJet Letter Transparencies (50)               | 12/65411 | 1000, 1020, 1100, 2030, 2050, 2070, 3000, 3200, 5000, 5700, 7000, 7200V, ExecJet Ilic, Home Copier Plus, IBM, Impact, Interact, Intuit, Intuition, J110, Medley, Optra Color 40/45/45n, P3150, P4330, P4350, P6250, P6350, P707, P915, Platinum, Prestige, Prevail, Prospect, Winwriter 150c, X1150, X1185, X1250, X1270, X2250, X2350, X2470, X2480, X2500, X2530, X2550, X2600, X2650, X2670, X2690, X2700, X2800, X3350, X3390, X3430, X3470, X3530, X3550, X3580, X3650, X4250, X4270, X4630, X4650, X4680, X4690, X4850, X4900, X5070, X5075, X5150, X5250, X5270, X5340, X5410, X5450, X5470, X5495, X5650/es, X6150, X6170, X63, X6650, X6675, X7170, X73/50, X75, X83/50, X85, Z11, Z12, Z13, Z1300, Z1310, Z1320, Z1380, Z1410, Z1420, Z1480, Z1520, Z22, Z23, Z2300, Z2320, Z2390, Z2420, Z2490, Z25, Z31, Z32, Z33, Z35, Z42, Z43, Z45, Z45se, Z51, Z515, Z517, Z52, Z53, Z54, Z54se, Z55, Z55se, Z605, Z611, Z615, Z617, Z640, Z645, Z647, Z65, Z65n, Z65p, Z705, Z715, Z730, Z735, Z815, Z816, Z82, Z845 |       |
| PerfectFinish™ Photo Paper (Letter - 50)        | 19V0170  | Platinum, X4850, X4875, X4890, X4895, X4875/ve, X6550, X6570, X6575, X7550, X7675, X9350, X9575, Z1520  |       |
| PerfectFinish™ Photo Paper, 4x6" (100)          | 19V0175  | Platinum, X4850, X4875, X4890, X4875/ve, X6550, X6570, X6575, X7550, X7675, X9350, X9575, Z1520   |       |
| PerfectFinish™ Photo Paper, 10x15 cm, 4x6" (50) | 19V0185  | Platinum, X4850, X4875, X4890, X4875/ve, X6550, X6570, X6575, X7550, X7675, X9350, X9575, Z1520   |       |
| Photo Paper (4x6" - 100)                        | 21G1738  | Home Copier Plus, Impact, Interact, Intuit, Intuition, Optra Color 45/45n, P315, P3150, P4350, P4350, P450, P6250, P6350, P707, P915, Platinum, Prestige, Prevail, Prospect, X1150, X1185, X1250, X1270, X2250, X2350, X2470, X2480, X2500, X2530, X2550, X2600, X2630, X2650, X2670, X2690, X3330, X3350, X3430, X3470, X3480, X3530, X3550, X3580, X3650, X4250, X4270, X4630, X4650, X4680, X4690, X5070, X5075, X5150, X5250, X5270, X5320, X5340, X5410, X5450, X5470, X5495, X5650/es, X6150, X6170, X63, X6650, X6675, X7170, X73/50, X75, X83/50, X85, Z1300, Z1310, Z1320, Z1380, Z1410, Z1420, Z1480, Z2300, Z2320, Z2390, Z2490, Z25, Z32, Z33, Z35, Z42, Z43, Z45, Z45se, Z515, Z517, Z54se, Z55se, Z605, Z611, Z615, Z617, Z640, Z645, Z647, Z65, Z65n, Z65p, Z705, Z715, Z730, Z735, Z815, Z816, Z845   |       |
| Photo Paper (4x6" - 50)                         | 19V0067  | Home Copier Plus, Impact, Interact, Intuit, Intuition, Optra Color 45/45n, P315, P3150, P4330, P4350, P450, P6250, P6350, P707, P915, Platinum, Prestige, Prevail, Prospect, X1150, X1185, X1250, X1270, X2250, X2350, X2470, X2480, X2500, X2530, X2550, X2600, X2630, X2650, X2670, X2690, X3330, X3350, X3430, X3470, X3480, X3530, X3550, X3580, X3650, X4250, X4270, X4630, X4650, X4680, X4690, X5070, X5075, X5150, X5250, X5270, X5320, X5340, X5410, X5450, X5470, X5495, X5650/es, X6150, X6170, X63, X6650, X6675, X7170, X73/50, X75, X83/50, X85, Z1300, Z1310, Z1320, Z1380, Z1410, Z1420, Z1480, Z2300, Z2320, Z2390, Z2490, Z25, Z32, Z33, Z35, Z42, Z43, Z45, Z45se, Z515, Z517, Z54se, Z55se, Z605, Z611, Z615, Z617, Z640, Z645, Z647, Z65, Z65n, Z65p, Z705, Z715, Z730, Z735, Z815, Z816, Z845   |       |



# Lexmark Supplies Compatibility Table

## Paper & Transparencies

| DESCRIPTION  | MODEL  |
|--|--|
| <p><b>SINGLE FUNCTION COLOR INKJET</b></p> <p>Photo Paper (Letter - 20)</p> <p>21G0725</p> | <p>1000, 1020, 1100, 2030, 2050, 2055, 2070, 3000, 3200, 5000, 5700, 5770, 7000, 7200/V, ExecJet Ilic, Home Copier Plus, Impact, Interact, Interpret, Intuition, J110, Medley, Optra Color 40/45/45n, P3150, P4330, P4350, P6250, P6350, P707, P915, Platinum, Prestige, Prevall, Prospect, Winwriter 150c, X1150, X1185, X125/O, X1270, X2250, X2350, X2470, X2480, X2500, X2530, X2550, X2580, X2600, X2650, X2670, X2690, X3330, X3350, X3430, X3470, X3530, X3550, X3580, X3650, X4250, X4270, X4630, X4650, X4680, X4690, X4950, X5070, X5075, X5150, X5250, X5270, X5320, X5340, X5410, X5450, X5470, X5495, X5650/es, X6150, X6170, X63, X6650, X6675, X7170, X73/50, X75, X83/50, X85, T11, T12, T13, T1300, Z1310, Z1320, Z1380, Z1410, Z1420, Z1480, Z22, Z23, Z2300, Z2320, Z2390, Z2420, Z2490, Z25, Z31, Z32, Z33, Z35, Z42, Z43, Z45, Z45se, Z51, Z515, Z517, Z52, Z53, Z54, Z54se, Z55, Z55se, Z605, Z611, Z615, Z617, Z640, Z645, Z647, Z65, Z65n, Z65p, Z705, Z715, Z730, Z735, Z815, Z816, Z82, Z845</p> |
| <p>Photo Paper (Letter - 35)</p> <p>19V0087</p>  | <p>1000, 1020, 1100, 2030, 2050, 2055, 2070, 3000, 3200, 5000, 5700, 5770, 7000, 7200/V, ExecJet Ilic, Home Copier Plus, Impact, Interact, Interpret, Intuition, J110, Medley, Optra Color 40/45/45n, P3150, P4330, P4350, P6250, P6350, P707, P915, Platinum, Prestige, Prevall, Prospect, Winwriter 150c, X1150, X1185, X125/O, X1270, X2250, X2350, X2470, X2480, X2500, X2530, X2550, X2580, X2600, X2650, X2670, X2690, X3330, X3350, X3430, X3470, X3530, X3550, X3580, X3650, X4250, X4270, X4630, X4650, X4680, X4690, X4950, X5070, X5075, X5150, X5250, X5270, X5320, X5340, X5410, X5450, X5470, X5495, X5650/es, X6150, X6170, X63, X6650, X6675, X7170, X73/50, X75, X83/50, X85, T11, T12, T13, T1300, Z1310, Z1320, Z1380, Z1410, Z1420, Z1480, Z22, Z23, Z2300, Z2320, Z2390, Z2420, Z2490, Z25, Z31, Z32, Z33, Z35, Z42, Z43, Z45, Z45se, Z51, Z515, Z517, Z52, Z53, Z54, Z54se, Z55, Z55se, Z605, Z611, Z615, Z617, Z640, Z645, Z647, Z65, Z65n, Z65p, Z705, Z715, Z730, Z735, Z815, Z816, Z82, Z845</p> |
| <p>Photo Paper (Letter - 50)</p> <p>21G1730</p>  | <p>1000, 1020, 1100, 2030, 2050, 2055, 2070, 3000, 3200, 5000, 5700, 5770, 7000, 7200/V, ExecJet Ilic, Home Copier Plus, Impact, Interact, Interpret, Intuition, J110, Medley, Optra Color 40/45/45n, P3150, P4330, P4350, P6250, P6350, P707, P915, Platinum, Prestige, Prevall, Prospect, Winwriter 150c, X1150, X1185, X125/O, X1270, X2250, X2350, X2470, X2480, X2500, X2530, X2550, X2580, X2600, X2650, X2670, X2690, X3330, X3350, X3430, X3470, X3530, X3550, X3580, X3650, X4250, X4270, X4630, X4650, X4680, X4690, X4950, X5070, X5075, X5150, X5250, X5270, X5320, X5340, X5410, X5450, X5470, X5495, X5650/es, X6150, X6170, X63, X6650, X6675, X7170, X73/50, X75, X83/50, X85, T11, T12, T13, T1300, Z1310, Z1320, Z1380, Z1410, Z1420, Z1480, Z22, Z23, Z2300, Z2320, Z2390, Z2420, Z2490, Z25, Z31, Z32, Z33, Z35, Z42, Z43, Z45, Z45se, Z51, Z515, Z517, Z52, Z53, Z54, Z54se, Z55, Z55se, Z605, Z611, Z615, Z617, Z640, Z645, Z647, Z65, Z65n, Z65p, Z705, Z715, Z730, Z735, Z815, Z816, Z82, Z845</p> |
| <p>Premium Photo Paper (4x6 - 100)</p> <p>21G1736</p>                                      | <p>Home Copier Plus, Optra Color 45/45n, P3150, P4330, P4350, P6250, P6350, P707, P915, X1150, X1185, X125/O, X1270, X2250, X2350, X2470, X2480, X2500, X2530, X2550, X2580, X2600, X2650, X2670, X2690, X3330, X3350, X3430, X3470, X3480, X3530, X3550, X3580, X3650, X4250, X4270, X4630, X4650, X4680, X4690, X5070, X5075, X5150, X5250, X5270, X5320, X5340, X5410, X5450, X5470, X5495, X5650/es, X6150, X6170, X63, X6650, X6675, X7170, X73/50, X75, X83/50, X85, T1300, Z1310, Z1320, Z1380, Z1410, Z1420, Z1480, Z22, Z23, Z2300, Z2320, Z2390, Z2420, Z2490, Z25, Z32, Z35, Z45, Z45se, Z515, Z517, Z54se, Z55se, Z605, Z611, Z615, Z617, Z640, Z645, Z647, Z65, Z65n, Z65p, Z705, Z715, Z730, Z735, Z815, Z816, Z845</p>  |

# Lexmark Supplies Compatibility Table

## Paper & Transparencies

| DESCRIPTION                         |         | PART #  | MODEL |
|-------------------------------------|---------|---|-------|
| <b>SINGLE FUNCTION COLOR INKJET</b> |         |   |       |
| Premium Photo Paper (4-x6s - 20)    | 21G1732 | Home Copier Plus, Optra Color 45/45n, P315, P3150, P4330, P4350, P450, P6250, P6350, P707, P915, X1150, X1185, X125/0, X1270, X2250, X2350, X2470, X2480, X2500, X2530, X2650, X2670, X2690, X2810, X2830, X2850, X2870, X2890, X3330, X3350, X3430, X3470, X3480, X3530, X3550, X3580, X3650, X4250, X4270, X4530, X4550, X4580, X4650, X4680, X4690, X5070, X6075, X5150, X5250, X5270, X5320, X5340, X5410, X5450, X5470, X5495, X5650/es, X6150, X6170, X63, X6650, X6675, X7170, X7350, X75, X8350, X85, Z1300, Z1310, Z1320, Z1380, Z1410, Z1420, Z1480, Z2300, Z2320, Z2390, Z2420, Z2490, Z25, Z35, Z45, Z45se, Z515, Z517, Z55, Z55se, Z605, Z611, Z615, Z617, Z640, Z645, Z647, Z65, Z65n, Z65p, Z705, Z715, Z730, Z735, Z815, Z816, Z845   |       |
| Premium Photo Paper (4-x6s - 60)    | 21G1734 | Home Copier Plus, Optra Color 45/45n, P315, P3150, P4330, P4350, P450, P6250, P6350, P707, P915, X1150, X1185, X125/0, X1270, X2250, X2350, X2470, X2480, X2500, X2530, X2650, X2670, X2690, X2810, X2830, X2850, X2870, X2890, X3330, X3350, X3430, X3470, X3480, X3530, X3550, X3580, X3650, X4250, X4270, X4530, X4550, X4580, X4650, X4680, X4690, X5070, X6075, X5150, X5250, X5270, X5320, X5340, X5410, X5450, X5470, X5495, X5650/es, X6150, X6170, X63, X6650, X6675, X7170, X7350, X75, X8350, X85, Z1300, Z1310, Z1320, Z1380, Z1410, Z1420, Z1480, Z2300, Z2320, Z2390, Z2420, Z2490, Z25, Z32, Z35, Z45, Z45se, Z515, Z517, Z55se, Z605, Z611, Z615, Z617, Z640, Z645, Z647, Z65, Z65n, Z65p, Z705, Z715, Z730, Z735, Z815, Z816, Z845   |       |
| Premium Photo Paper (Letter - 15)   | 21G0726 | 1000, 1020, 1100, 2030, 2050, 2055, 2070, 3000, 3200, 5000, 5700, 7000, 7200/V, ExecJet Ilic, Home Copier Plus, J110, Medley, Optra Color 40/45/45n, P3150, P4330, P4350, P6250, P6350, P707, P915, Winwriter 150c, X1150, X1185, X125/0, X1270, X2250, X2350, X2470, X2480, X2500, X2530, X2550, X2580, X2600, X2630, X2650, X2670, X2690, X3330, X3350, X3430, X3470, X3530, X3550, X3580, X3650, X4250, X4270, X4530, X4550, X4580, X4650, X4680, X5070, X5075, X5150, X5250, X5270, X5320, X5340, X5410, X5450, X5470, X5495, X5650/es, X6150, X6170, X63, X6650, X6675, X7170, X7350, X75, X8350, X85, Z11, Z12, Z13, Z1300, Z1310, Z1320, Z1380, Z1410, Z1420, Z1480, Z22, Z23, Z2300, Z2320, Z2390, Z2420, Z2490, Z25, Z31, Z32, Z33, Z35, Z42, Z43, Z45, Z45se, Z51, Z515, Z517, Z52, Z53, Z54, Z54se, Z55, Z55se, Z605, Z611, Z615, Z617, Z640, Z645, Z647, Z65, Z65n, Z65p, Z705, Z715, Z730, Z735, Z815, Z816, Z82, Z845 |       |
| Premium Photo Paper (Letter - 50)   | 21G1740 | 1000, 1020, 1100, 2030, 2050, 2055, 2070, 3000, 3200, 5000, 5700, 7000, 7200/V, ExecJet Ilic, Home Copier Plus, J110, Medley, Optra Color 40/45/45n, P3150, P4330, P4350, P6250, P6350, P707, P915, Winwriter 150c, X1150, X1185, X125/0, X1270, X2250, X2350, X2470, X2480, X2500, X2530, X2550, X2580, X2600, X2630, X2650, X2670, X2690, X3330, X3350, X3430, X3470, X3530, X3550, X3580, X3650, X4250, X4270, X4530, X4550, X4580, X4650, X4680, X5070, X5075, X5150, X5250, X5270, X5320, X5340, X5410, X5450, X5470, X5495, X5650/es, X6150, X6170, X63, X6650, X6675, X7170, X7350, X75, X8350, X85, Z11, Z12, Z13, Z1300, Z1310, Z1320, Z1380, Z1410, Z1420, Z1480, Z22, Z23, Z2300, Z2320, Z2390, Z2420, Z2490, Z25, Z31, Z32, Z33, Z35, Z42, Z43, Z45, Z45se, Z51, Z515, Z517, Z52, Z53, Z54, Z54se, Z55, Z55se, Z605, Z611, Z615, Z617, Z640, Z645, Z647, Z65, Z65n, Z65p, Z705, Z715, Z730, Z735, Z815, Z816, Z82, Z845 |       |
| <b>COLOR LASER</b>                  |         |   |       |
| Banner Laser Paper                  | 1247940 | C910, C912/dm/fm/h, C920/dm/dtm/h, X912e  |       |
| Banner Laser Paper                  | 1248940 | C762/dm/dtm/h, C772/dm/dtm/h, C782/dm/dm/h, C782/dm/dm XL/dm/dtm XL/n/n XL, X762e, X772e, X782e/e XL  |       |



# Lexmark Maintenance Kit

| COLOR LASER   | MODEL   | PART #    | DESCRIPTION                         | YIELD   |
|---|---|-----------|-------------------------------------|---|
| C520n, C522n/fn, C524/dn/dtn/fn   | C520n, C522n/fn, C524/dn/dtn/fn   | 40X1400   | Fuser Maintenance Kit 110-120V      | 120,000 pages   |
| C520n, C522n/fn, C524/dn/dtn/fn   | C520n, C522n/fn, C524/dn/dtn/fn   | 40X1401   | Transfer Belt Maintenance Kit       | 120,000 pages   |
| C520n, C522n/fn, C524/dn/dtn/fn, C530dn, C532dn/fn, C534dn/dtn                          | C520n, C522n/fn, C524/dn/dtn/fn, C530dn, C532dn/fn, C534dn/dtn                          | 40X3569   | Fuser Maintenance Kit 110-120V      | 120,000 pages   |
| C530dn, C532dn/fn, C534dn/dtn/fn  | C530dn, C532dn/fn, C534dn/dtn/fn  | 40X3572   | Transfer Belt Maintenance Kit       | 120,000 pages   |
| C540n, C543dn, C544dn/dtn/dtw/h   | C540n, C543dn, C544dn/dtn/dtw/h   | 3049484   | Relocation Kit                      |   |
| C540n, C543dn, C544dn/dtn/dtw/h, X543dn, X544dn/dtn/dtw/h                               | C540n, C543dn, C544dn/dtn/dtw/h, X543dn, X544dn/dtn/dtw/h                               | C5-40X31G | Black Developer Unit                | Up to 30,000 pages based on approximately 5% coverage per color |
| C540n, C543dn, C544dn/dtn/dtw/h, X543dn, X544dn/dtn/dtw/h                               | C540n, C543dn, C544dn/dtn/dtw/h, X543dn, X544dn/dtn/dtw/h                               | C5-40X32G | Cyan Developer Unit                 | Up to 30,000 pages based on approximately 5% coverage per color |
| C540n, C543dn, C544dn/dtn/dtw/h, X543dn, X544dn/dtn/dtw/h                               | C540n, C543dn, C544dn/dtn/dtw/h, X543dn, X544dn/dtn/dtw/h                               | C5-40X33G | Magenta Developer Unit              | Up to 30,000 pages based on approximately 5% coverage per color |
| C540n, C543dn, C544dn/dtn/dtw/h, X543dn, X544dn/dtn/dtw/h                               | C540n, C543dn, C544dn/dtn/dtw/h, X543dn, X544dn/dtn/dtw/h                               | C5-40X34G | Yellow Developer Unit               | Up to 30,000 pages based on approximately 5% coverage per color |
| C734dn/dtn/dtw/h, C736dn/dtn/h, X734de, X736de, X738de/dte                              | C734dn/dtn/dtw/h, C736dn/dtn/h, X734de, X736de, X738de/dte                              | 40X5093   | Fuser Maintenance 110-120V          | 100,000 pages   |
| C734dn/dtn/dtw/h, C736dn/dtn/h, X734de, X736de, X738de/dte                              | C734dn/dtn/dtw/h, C736dn/dtn/h, X734de, X736de, X738de/dte                              | 40X5096   | Transfer Belt Maintenance           | 120,000 pages   |
| C750/dn/dtn/fn/h, C752/Ldn/Ldn/Ln/dn/dtn/fn/h, X750e, X752e                             | C750/dn/dtn/fn/h, C752/Ldn/Ldn/Ln/dn/dtn/fn/h, X750e, X752e                             | 1266301   | Fuser 110-120V                      | 150,000 pages = C750; 200,000 pages = C752                      |
| C750/dn/dtn/fn/h, C752/Ldn/Ldn/Ln/dn/dtn/fn/h, X750e, X752e                             | C750/dn/dtn/fn/h, C752/Ldn/Ldn/Ln/dn/dtn/fn/h, X750e, X752e                             | 1266496   | Fuser Maintenance Kit 110-120V      | 150,000 pages = C750; 200,000 pages = C752                      |
| C750/dn/dtn/fn/h, X750e   | C750/dn/dtn/fn/h, X750e   | 56P1296   | Image Transfer Unit Maintenance Kit | 105,000 pages   |
| C752/Ln/Ldn/Ln/dn/dtn/fn/h, C760/dn/dtn/h, C762/dn/dtn/h, X752e, X762e                  | C752/Ln/Ldn/Ln/dn/dtn/fn/h, C760/dn/dtn/h, C762/dn/dtn/h, X752e, X762e                  | 56P2848   | Image Transfer Unit Maintenance Kit | 120,000 pages   |
| C760/dn/dtn/h, C762/dn/dtn/h, X762e   | C760/dn/dtn/h, C762/dn/dtn/h, X762e   | 56P2910   | Fuser Maintenance Kit 110-120V      | 200,000 pages   |
| C770dn/dtn/h, C772dn/dtn/h, C780dn/dtn/h, C782dn/dn XL/dtn/dtn XL/n XL, X772e, X782e XL | C770dn/dtn/h, C772dn/dtn/h, C780dn/dtn/h, C782dn/dn XL/dtn/dtn XL/n XL, X772e, X782e XL | 40X1831   | Fuser Maintenance Kit 110-120V      | 120,000 pages   |
| C770dn/dtn/h, C772dn/dtn/h, X772e   | C770dn/dtn/h, C772dn/dtn/h, X772e   | 40X0342   | Image Transfer Unit Maintenance Kit | 120,000 pages   |
| C770dn/dtn/h, C772dn/dtn/h, X772e   | C770dn/dtn/h, C772dn/dtn/h, X772e   | 40X1859   | Fuser Maintenance Kit 110-120V      | 200,000 pages   |

# Lexmark Maintenance Kit

| MODEL  | PART #  | DESCRIPTION                         | YIELD         |
|--|---------|-------------------------------------|---------------|
| <b>COLOR LASER</b>   |         |                                     |               |
| C7800n/dtr/n, C7820n/dn XL/dtr/dtm XL/n/n XL, X782e/e XL   | 40X0343 | Image Transfer Unit Maintenance Kit | 120,000 pages |
| C910/dn/fv/n/n, C912/dn/fv/n, X912e  | 58P3751 | Fuser 110-120V                      | 105,000 pages |
| C910/dn/fv/n/n, C912/dn/fv/n, X912e  | 58P3900 | Fuser Maintenance Kit 110-120V      | 105,000 pages |
| C910/dn/fv/n/n, C912/dn/fv/n, X912e  | 58P3903 | Transfer Belt Maintenance Kit       | 120,000 pages |
| C920/dn/dtm/n  | 40X1249 | Fuser Maintenance Kit 110-120V      | 105,000 pages |
| C920/dn/dtm/n  | 40X1251 | Transfer Belt Maintenance Kit       | 120,000 pages |
| C9350n/dtr/dttv/hn, X940e, X945e   | 40X4031 | Maintenance Kit, 100K, 110-120V     | 100,000 pages |
| C9350n/dtr/dttv/hn, X940e, X945e   | 40X4032 | Maintenance Kit, 600K               | 600,000 pages |
| X5430n, X5440n/dtm/dw/n  | 3049485 | Relocation Kit                      |               |
| <b>MONOCHROME LASER</b>  |         |                                     |               |
| Clinical Assistant, Education Station, Legal Partner, T640/dn/dtm/n/n, T642/dn/dtr/n/n, T644/dn/dtr/n/n, T650dn/dtm/h, T652dn/dtr/n, T654dn/dtm/h, X642e, X644e, X646/dte/e/ef, X651de, X652de, X654de, X656de/dte, X658de/dte/dme/dte/dtfe/dtme | 40X2666 | Wax Fuser Wiper                     | not define    |
| Clinical Assistant, Education Station, Legal Partner, T640/dn/dtm/n/n, T642/dn/dtr/n/n, T644/dn/dtr/n/n, T650dn/dtm/h, T652dn/dtr/n, T654dn/dtm/h, X642e, X644e, X646/dte/e/ef, X651de, X652de, X654de, X656de/dte, X658de/dte/dme/dte/dtfe/dtme | 40X2665 | Oil Fuser Wiper                     | not define    |
| Clinical Assistant, Education Station, Legal Partner, T640/dn/dtr/n/n, T642/dn/dtr/n/n, T644/dn/dtr/n/n, X642e, X644e, X646/dte/e  | 40X0127 | Dual Charge Roll Assembly           | 300,000 pages |
| Clinical Assistant, Education Station, Legal Partner, T640/dn/dtr/n/n, T642/dn/dtr/n/n, T644/dn/dtr/n/n, X642e, X644e, X646/dte/e/ef   | 40X0100 | Fuser Maintenance Kit 110-120V      | 300,000 pages |
| Clinical Assistant, Education Station, Legal Partner, T640/dn/dtr/n/n, T642/dn/dtr/n/n, T644/dn/dtr/n/n, X642e, X644e, X646/dte/e/ef   | 40X0130 | Transfer Roll Assembly              | 300,000 pages |
| E2500/dn, E350d, E352dn, E450bn  | 40X2847 | Fuser Maintenance Kit 110-120V      | 120,000 pages |

# Lexmark Maintenance Kit

| MODEL   | PART #  | DESCRIPTION  | YIELD         |
|---|---------|--|---------------|
| <b>MONOCHROME LASER</b>   |         |  |               |
| E4600n/dw, X463de, X464de, X466de/dte/dtwe  | 40X6400 | Fuser Maintenance Kit 110-120V                     | 120,000 pages |
| Optra W810/W810dn/W810m/image W810s   | 1263421 | Fuser Kit 110-120V                                 | 250,000 pages |
| Optra W810/W810dn/W810m/image W810s   | 1263425 | Transfer Roll Maintenance Kit                      | 150,000 pages |
| 1420d/dn, X422  | 58P2036 | Fuser Maintenance Kit 110-120V                     | 200,000 pages |
| 1430/d/dn/dtn   | 58P2333 | Fuser Maintenance Kit 110-120V                     | 200,000 pages |
| T520/d/dn/n, X522/s   | 99A2420 | Fuser Maintenance Kit 110-120V                     | 250,000 pages |
| T620/dn/n/n, X620e  | 99A2408 | Fuser Maintenance Kit 110-120V                     | 300,000 pages |
| T622/dn/n/n   | 99A2411 | Fuser Maintenance Kit 110-120V                     | 300,000 pages |
| T6300/VE/dn/n/n VE, T632/dtn/dtn/n/n, X630, X632/e/s  | 58P1409 | Fuser Maintenance Kit 110-120V                     | 300,000 pages |
| T634/dtn/dtn/n/n, X634dt/dt3e/dte/e   | 58P1855 | Fuser Maintenance Kit 110-120V                     | 300,000 pages |
| T6500n/dtn/n, T652n/dtn/n, T654dn/dtn/n, X651 de, X652de, X654de, X656de/dte, X658de/dte/dtwe/dtfe/dtme | 40X1886 | Transfer Roll Assembly                             | 300,000 pages |
| T650n/dtn/n, T652n/dtn/n, T654dn/dtn/n, X651 de, X652de, X654de, X656de/dte, X658de/dte/dtwe/dtfe/dtme  | 40X4308 | Pick Roll Assembly                                 | 300,000 pages |
| T6500n/dtn/n, T652n/dtn/n, T654dn/dtn/n, X651 de, X652de, X654de, X656de/dte, X658de/dte/dtwe/dtfe/dtme | 40X4724 | X654e, X656e, X658e Fuser Maintenance Kit 110-120V | 300,000 pages |
| T6500n/dtn/n, T652n/dtn/n, T654dn/dtn/n, X651 de, X652de, X654de, X656de/dte, X658de/dte/dtwe/dtfe/dtme | 40X6852 | Dual Charge Roll Assembly                          | 300,000 pages |
| W812/dn/n   | 58P0884 | Fuser Maintenance Kit 110-120V                     | 100,000 pages |
| W820/dn/n, X820e, X830e, X832e  | 1264182 | Fuser Maintenance Kit 110-120V                     | 300,000 pages |
| W840/dn/n   | 40X0956 | Fuser Maintenance Kit 110-120V                     | 300,000 pages |
| X651 de, X652de, X654de, X656de/dte, X658de/dte/dtwe/dtfe/dtme  | 40X3444 | ADF Platen Cushion                                 | 300,000 pages |
| X651 de, X652de, X654de, X656de/dte, X658de/dte/dtwe/dtfe/dtme  | 40X4540 | ADF Pick Roll Assembly                             | 300,000 pages |

# Lexmark Maintenance Kit

| MODEL  | PART #  | DESCRIPTION                                   | YIELD               |
|--|---------|---|---------------------|
| <b>MONOCHROME LASER</b>  |         |   |                     |
| X651de, X652de, X654de, X656de/dte, X658de/dte/dme/dte/dte/dtme                        | 40X4605 | ADF Separator Roll and Guide                  | not define          |
| X651de, X652de, X654de, X656de/dte, X658de/dte/dme/dte/dte/dtme                        | 40X4769 | ADF Maintenance Kit                           | 300,000 pages       |
| <b>MULTIFUNCTION LASER</b>   |         |   |                     |
| 3100, X242, X520, X630, X632s  | 1263623 | Lexmark X242, 3100 MFP Option Pick Pad        | 20,000 pages        |
| 3200, X443, X4500, X522/s, X620e, X632/e, X634dt/dt3e/dte/e, X720, X750e, X752e, X762e | 56P0079 | Lexmark X443, X4500, 3200 MFP Option Pick Pad | 40,000 pages        |
| 4600/MFP Option C782/MFP Option T642n, C782 XL, T644n, X646ef, X772e, X782e/e XL       | 40X2538 | MFP Option Separator (Pick) Roll Pad          | ~40,000 pages       |
| 4600/MFP Option C782/MFP Option T642n, C782 XL, T644n, X646ef, X772e, X782e/e XL       | 40X2540 | MFP Option Pick Roller                        | ~120,000 pages      |
| 5500, X912e  | 56P2049 | MFP Option Pick Rollers and Pad               | 40,000 page scans   |
| Clinical/Assistant, Education Station, Legal Partner, X642e, X644e, X646dt/e           | 40X0453 | ADF Pick Up Assembly                          | ~120,000 pages      |
| Clinical/Assistant, Education Station, Legal Partner, X642e, X644e, X646dt/e           | 40X0454 | Separator Roll Assembly                       | ~120,000 pages      |
| Clinical/Assistant, Education Station, Legal Partner, X642e, X644e, X646dt/e           | 40X0466 | Flatbed White Cushion                         | not define          |
| Optralimage W810s  | 1261835 | Lexmark Optralimage 725 Option Pick Pad       | ~100,000 page scans |
| X215/n   | 56P1923 | Lexmark X215 MFP Pick Pad with Roll Assembly  | ~20,000 pages       |
| X340n, X342n   | 40X2401 | ADF Pick Roller                               | 20,000 pages        |
| X340n, X342n   | 40X2404 | ADF Pick Roll Pad                             | 20,000 pages        |
| X340n, X342n   | 40X3499 | ADF High Friction Pick Roll Pad               | 20,000 pages        |
| X422   | 56P2649 | Pick Pad with Separator Roll Assembly         | ~40,000 pages       |
| X4630e, X4644e, X4664e/dte/dtwe  | 40X5804 | ADF Flatbed Cushion                           | not define          |
| X4630e, X4644e, X4664e/dte/dtwe  | 40X5807 | ADF Maintenance Kit                           | ~65,000 pages       |
| X560n  | 40X4860 | Fuser 110-120V                                | 100,000 pages       |
| X560n  | 40X4861 | Fuser 220-240V                                | 100,000 pages       |
| X560n  | 40X4862 | Multipurpose feeder separator roll kit        | 100,000 pages       |
| X560n  | 40X4865 | Multipurpose feeder feed kit                  | 100,000 pages       |

# Lexmark Maintenance Kit

| MODEL   | PART #  | DESCRIPTION                                     | YIELD          |
|---|---------|---|----------------|
| <b>MULTIFUNCTION LASER</b>  |         |   |                |
| X560n   | 40X4866 | Feed roll kit (250/550-sheet tray)              | 100,000 pages  |
| X560n   | 40X4868 | Transfer belt                                   | 100,000 pages  |
| X560n   | 40X4924 | ADF maintenance kit                             | 100,000 pages  |
| X7500, X820e, X830e, X832e  | 1268867 | Lexmark X7500 MFP Option Pick Pad               | 60,000 pages   |
| X7500, X820e, X830e, X832e  | 58P1807 | Lexmark X7500 MFP Option High Friction Pick Pad | 60,000 pages   |
| X850e, X852e, X854e   | 40X0770 | ADF Feed unit roll kit                          | 300,000 pages  |
| X850e, X852e, X854e   | 40X2375 | Fuser Maintenance Kit 110-120V                  | 150,000 pages  |
| X850e, X852e, X854e   | 40X2734 | ADF Maintenance Kit                             | 150,000 pages  |
| X940e, X945e  | 40X4033 | ADF Maintenance Kit                             | 150,000 pages  |
| <b>MULTIFUNCTION COLOR LASER</b>  |         |   |                |
| C734dn/dtr/dw/n, C736dn/dtr/n, X543dn, X544dn/dtr/dw/n, X734de, X736de, X738de/dte  | 40X5168 | Pick Tire                                       | ~120,000 pages |
| C734dn/dtr/dw/n, C736dn/dtr/n, X543dn, X544dn/dtr/dw/n, X734de, X736de, X738de/dte  | 40X5152 | Pick Tire, Special Media Drawer                 | ~60,000 pages  |
| X284dn, X363dn, X364dn/dw, X463de, X464de, X466de/dte/dtwe, X543dn, X544dn/dtr/dw/n | 40X6471 | ADF Separator Roll                              | ~60,000 pages  |
| X284dn, X363dn, X364dn/dw, X463de, X464de, X466de/dte/dtwe, X543dn, X544dn/dtr/dw/n | 40X6472 | ADF Separator Pad                               | ~60,000 pages  |
| X284dn, X363dn, X364dn/dw, X544dn/dtr/dw/n  | 40X5535 | ADF Flatbed Cushion                             | ~60,000 pages  |
| X543dn  | 40X5539 | Scanner Cover Cushion                           | ~60,000 pages  |
| X543dn, X544dn/dtr/dw/n   | 40X6470 | ADF Paper Tray                                  | ~60,000 pages  |
| X543dn, X544dn/dtr/dw/n   | 40X5484 | Output Bin Extension                            | ~60,000 pages  |
| X734de, X736de, X738de/dte  | 40X5187 | ADF Separator Pad                               | ~30,000 pages  |
| X734de, X736de, X738de/dte  | 40X5188 | ADF Pick Assembly                               | ~120,000 pages |
| X734de, X736de, X738de/dte  | 40X5189 | ADF Pick Pad                                    | ~200,000 pages |





# Lexmark Standard Service Offerings

Lexmark has developed a range of service offerings to help meet the unique needs of your business and provide a greater return on your investment. Total satisfaction being the core objective, these offerings provide you with the tools to keep your business moving, including fast problem resolution from our specialized technical team.

## How does Lexmark deliver the service?

Although your plan may vary depending on your purchase, different levels of service are available.



### Base Warranty

Base Warranty is the initial warranty provided by Lexmark, beginning on the date of purchase of a Lexmark product. Base warranties are generally for 1 year and include telephone and Web-based support, and all parts and labor.

### Onsite Service

With Onsite Service, if your printer challenges cannot be resolved over the phone, a technical support representative will dispatch a qualified Lexmark service technician to your location for next-business-day service. The technician will service your defective printer directly onsite and will also make sure your printer meets Lexmark's most stringent standards of quality and performance. This offering includes telephone and Web-based support, all parts and labor, and complete onsite service and testing.

### Exchange Service

Exchange Service ensures you a fast and effective door-to-door service process for certain printer models. If your printer challenges cannot be resolved over the phone, a technical support representative will arrange the delivery of an exchange printer to arrive at your location within 3 to 5 business days in serviced areas. The defective printer will be returned to Lexmark or disposed in compliance with local regulations. All parts and labor are included. You also benefit from remote support by both telephone and Internet.

## How to expand your coverage?

### Extended Warranty

An Extended Warranty adds coverage for a period of 1, 2, 3 or 4 years (on selected products) beyond the Base Warranty. To qualify, an Extended Warranty must be continuous from the Base Warranty without a lapse in coverage. An Extended Warranty may be purchased only once during the Base Warranty period and service will be delivered the same way as during the Base Warranty.

### Enhanced Warranty

You may decide that your business needs a higher service level warranty. In such cases, you can upgrade from Exchange Service to Onsite Service. Your service will be upgraded immediately after registration, even during the Base Warranty period.

### Renewal Warranty

To secure your investment and continue service coverage after the end of an Extended Warranty, you can purchase a Renewal Warranty that will expand the coverage for an additional year.

The ability to renew an Extended Warranty or a previous Renewal Warranty is available for one year at a time, providing there is no lapse in coverage. Renewal Warranties can be purchased each year as long as the reference is available in Lexmark's official price list. Renewal Warranty coverage is available with standard and upgraded service levels when applicable.

### Post Warranty

If you are looking for manufacturer-quality service coverage for printers that were not covered by a Lexmark extended warranty, you can purchase a Post Warranty that provides coverage for one year.

You must contact Lexmark directly to purchase this offer, and to qualify the printer must be fully functional. A Post Warranty can then be renewed with a Renewal Warranty provided there is no lapse in coverage. Post Warranty coverage is available with standard and upgraded service levels when applicable.

### Customized Services

Customized service solutions are available by contacting your Lexmark representative. Lexmark Global Services will analyze your requirements and design the most appropriate and cost-effective solution for your business needs.



## How to order?

### The offering you need

Most service offerings presented here are available through Lexmark Authorized Resellers.

Service offerings can also be ordered directly from Lexmark. For all direct orders, please have available the serial number(s) for the product(s) requiring additional coverage. Please contact your Contract Support Service representative for more information or visit [www.lexmark.com](http://www.lexmark.com).

# Lexmark Standard Service Offerings

| MODEL                          | DESCRIPTION                        | PART #  |
|--------------------------------|------------------------------------|---------|
| <b>ALL-IN-ONE COLOR INKJET</b> |                                    |         |
| P4330, P4350                   | 1-Year Replace                     | 2348810 |
| P4330, P4350                   | 2-Year Replace                     | 2348811 |
| P6350                          | 1-Year Replace                     | 2348816 |
| P6350                          | 2-Year Replace                     | 2348817 |
| X2500, X2530, X2550, X2580     | 1-Year Replace, Next Business Day  | 2349472 |
| X2500, X2530, X2550, X2580     | 2-Year Replace, Next Business Day  | 2349473 |
| X3530, X3550, X3580            | 1-Year Replace, Next Business Day  | 2349475 |
| X3530, X3550, X3580            | 2-Year Replace, Next Business Day  | 2349476 |
| X3650                          | 1-Year Replace                     | 2350110 |
| X3650                          | 2-Year Replace                     | 2350111 |
| X4530, X4550, X4580            | 1-Year Replace, Next Business Day  | 2349478 |
| X4530, X4550, X4580            | 2-Year Replace, Next Business Day  | 2349479 |
| X4850                          | 1-Year Replace                     | 2349586 |
| X4850                          | 2-Year Replace                     | 2349587 |
| X4875                          | 1-Year Replace, Next Business Day  | 2349813 |
| X4875                          | 2-Year Replace, Next Business Day  | 2349814 |
| X4950                          | 1-Year Replace                     | 2350140 |
| X4950                          | 2-Year Replace                     | 2350141 |
| X5070                          | 1-Year Replace                     | 2349580 |
| X5070                          | 2-Year Replace                     | 2349581 |
| X5075                          | 1-Year Replace, Next Business Day  | 2349818 |
| X5075                          | 2-Year Replace, Next Business Day  | 2349819 |
| X5410, X5450, X5470, X5495     | 2-Year Replace                     | 2348783 |
| X5450, X5470                   | 1-Year Replace                     | 2348782 |
| X6570                          | 1-Year Replace                     | 2349583 |
| X6570                          | 2-Year Replace                     | 2349584 |
| X6575                          | 1-Year Replace, Next Business Day  | 2349808 |
| X6575                          | 2-Year Replace, Next Business Day  | 2349809 |
| X7360                          | 1-Year Replace                     | 2348773 |
| X7360                          | 2-Year Replace                     | 2348774 |
| X8360                          | 1-Year Exchange, Next Business Day | 2348268 |

# Lexmark Standard Service Offerings

| MODEL                               | DESCRIPTION  | PART #   |
|-------------------------------------|--|----------|
| <b>ALL-IN-ONE COLOR INKJET</b>      |  |          |
| X8350                               | 2-Year Exchange, Next Business Day                 | 234-8845 |
| X9350                               | 1-Year Replace                                     | 234-9385 |
| X9350                               | 2-Year Replace                                     | 234-9386 |
| X9575                               | 1-Year Exchange, Next Business Day                 | 234-9803 |
| X9575                               | 2-Year Exchange, Next Business Day                 | 234-9804 |
| <b>SINGLE FUNCTION COLOR INKJET</b> |  |          |
| P315                                | 1-Year Replace                                     | 234-8806 |
| P450                                | 1-Year Exchange, Next Business Day                 | 234-8266 |
| P450                                | 2-Year Exchange, Next Business Day                 | 234-8267 |
| <b>COLOR LASER</b>                  |  |          |
| C500n                               | 2-Years Total Onsite Service, Next Business Day    | 234-8670 |
| C500n                               | 3-Years Total Onsite Service, Next Business Day    | 234-8671 |
| C500n                               | 1-Year Onsite Service Renewal, Next Business Day   | 234-8674 |
| C510/dtn/n                          | 1-Year Onsite Service Renewal, Next Business Day   | 234-7600 |
| C520n                               | 1-Year Onsite Service Renewal, Next Business Day   | 234-8142 |
| C522n/lm                            | 1-Year Onsite Service Renewal, Next Business Day   | 234-8160 |
| C524/dn/dtn/n/bn                    | 1-Year Onsite Service Renewal, Next Business Day   | 234-8178 |
| C530dn                              | 2-Years Total Onsite Service, Next Business Day    | 234-8617 |
| C530dn                              | 3-Years Total Onsite Service, Next Business Day    | 234-8618 |
| C530dn                              | 1-Year Onsite Service Renewal, Next Business Day   | 234-9197 |
| C532dn/n                            | 2-Years Total Onsite Service, Next Business Day    | 234-8656 |
| C532dn/n                            | 3-Years Total Onsite Service, Next Business Day    | 234-8657 |
| C532dn/n                            | 1-Year Onsite Service Renewal, Next Business Day   | 234-9206 |
| C534dn/dtm/n                        | 2-Years Total Onsite Service, Next Business Day    | 234-8626 |
| C534dn/dtm/n                        | 3-Years Total Onsite Service, Next Business Day    | 234-8627 |
| C534dn/dtm/n                        | 1-Year Onsite Service Renewal, Next Business Day   | 234-9203 |
| C540n                               | 2-Years Total Exchange Service, Next Business Day  | 235-0398 |
| C540n                               | 3-Years Total Exchange Service, Next Business Day  | 235-0399 |
| C540n                               | 1-Year Exchange Service Renewal, Next Business Day | 235-0402 |
| C540n                               | Upgrade to Onsite Service, Next Business Day       | 235-0406 |
| C540n                               | 2-Years Total Onsite Service, Next Business Day    | 235-0407 |

# Lexmark Standard Service Offerings

| MODEL              | DESCRIPTION  | PART #  |
|--------------------|--|---------|
| <b>COLOR LASER</b> |  |         |
| C540n              | 3-Years Total Onsite Service, Next Business Day    | 2350408 |
| C540n              | 1-Year Onsite Service Renewal, Next Business Day   | 2350411 |
| C543dn             | 2-Years Total Exchange Service, Next Business Day  | 2350433 |
| C543dn             | 3-Years Total Exchange Service, Next Business Day  | 2350434 |
| C543dn             | 4-Years Total Exchange Service, Next Business Day  | 2350435 |
| C543dn             | 1-Year Exchange Service Renewal, Next Business Day | 2350437 |
| C543dn             | Upgrade to Onsite Service, Next Business Day       | 2350441 |
| C543dn             | 2-Years Total Onsite Service, Next Business Day    | 2350442 |
| C543dn             | 3-Years Total Onsite Service, Next Business Day    | 2350443 |
| C543dn             | 4-Years Total Onsite Service, Next Business Day    | 2350444 |
| C543dn             | 1-Year Onsite Service Renewal, Next Business Day   | 2350446 |
| C544n/dm/dw/n      | 2-Years Total Exchange Service, Next Business Day  | 2350468 |
| C544n/dm/dw/n      | 3-Years Total Exchange Service, Next Business Day  | 2350469 |
| C544n/dm/dw/n      | 4-Years Total Exchange Service, Next Business Day  | 2350470 |
| C544n/dm/dw/n      | 1-Year Exchange Service Renewal, Next Business Day | 2350472 |
| C544n/dm/dw/n      | Upgrade to Onsite Service, Next Business Day       | 2350476 |
| C544n/dm/dw/n      | 2-Years Total Onsite Service, Next Business Day    | 2350477 |
| C544n/dm/dw/n      | 3-Years Total Onsite Service, Next Business Day    | 2350478 |
| C544n/dm/dw/n      | 4-Years Total Onsite Service, Next Business Day    | 2350479 |
| C544n/dm/dw/n      | 1-Year Onsite Service Renewal, Next Business Day   | 2350481 |
| C734n/dm/dw/n      | 2-Years Total Onsite Service, Next Business Day    | 2350780 |
| C734n/dm/dw/n      | 3-Years Total Onsite Service, Next Business Day    | 2350781 |
| C734n/dm/dw/n      | 4-Years Total Onsite Service, Next Business Day    | 2350782 |
| C734n/dm/dw/n      | 5-Years Total Onsite Service, Next Business Day    | 2350783 |
| C736n/dm/n         | 2-Years Total Onsite Service, Next Business Day    | 2350798 |
| C736n/dm/n         | 3-Years Total Onsite Service, Next Business Day    | 2350799 |
| C736n/dm/n         | 4-Years Total Onsite Service, Next Business Day    | 2350800 |
| C736n/dm/n         | 5-Years Total Onsite Service, Next Business Day    | 2350801 |
| C750/dm/dm/n/n/n/n | 1-Year Onsite Service Renewal, Next Business Day   | 2347602 |
| C752/dm/dm/n/n/n   | 1-Year Onsite Service Renewal, Next Business Day   | 2347603 |
| C760/dm/dm/n/n     | 1-Year Onsite Service Renewal, Next Business Day   | 2347604 |

# Lexmark Standard Service Offerings

| MODEL                     | DESCRIPTION                                      | PART #  |
|---------------------------|--|---------|
| <b>COLOR LASER</b>        |  |         |
| C762/dn/dtm/n             | 1-Year Onsite Service Renewal, Next Business Day | 2347605 |
| C770n/dtm/n               | 1-Year Onsite Service Renewal, Next Business Day | 2348683 |
| C772n/dtm/n               | 1-Year Onsite Service Renewal, Next Business Day | 2348692 |
| C780n/dtm/n               | 2-Years Total Onsite Service, Next Business Day  | 2348992 |
| C780n/dtm/n               | 3-Years Total Onsite Service, Next Business Day  | 2349393 |
| C780n/dtm/n               | 4-Years Total Onsite Service, Next Business Day  | 2348994 |
| C780n/dtm/n               | 1-Year Onsite Service Renewal, Next Business Day | 2349396 |
| C782n/dn/dm/dtm/XL/n/n/XL | 2-Years Total Onsite Service, Next Business Day  | 2349404 |
| C782n/dn/dm/dtm/XL/n/n/XL | 3-Years Total Onsite Service, Next Business Day  | 2349405 |
| C782n/dn/dm/dtm/XL/n/n/XL | 4-Years Total Onsite Service, Next Business Day  | 2349406 |
| C782n/dn/dm/dtm/XL/n/n/XL | 1-Year Onsite Service Renewal, Next Business Day | 2349408 |
| C910, C912/n              | 1-Year Onsite Service Renewal, Next Business Day | 2347607 |
| C910/dn/fm/n/n            | 1-Year Onsite Service Renewal, Next Business Day | 2347606 |
| C920/dn/dtm/n             | 2-Years Total Onsite Service, Next Business Day  | 2347505 |
| C920/dn/dtm/n             | 3-Years Total Onsite Service, Next Business Day  | 2347506 |
| C920/dn/dtm/n             | 4-Years Total Onsite Service, Next Business Day  | 2347507 |
| C920/dn/dtm/n             | 1-Year Onsite Service Renewal, Next Business Day | 2347608 |
| C935dn/dtm/dtm/hdn        | 2-Years Total Onsite Service, Next Business Day  | 2349440 |
| C935dn/dtm/dtm/hdn        | 3-Years Total Onsite Service, Next Business Day  | 2349441 |
| C935dn/dtm/dtm/hdn        | 4-Years Total Onsite Service, Next Business Day  | 2349442 |
| C935dn/dtm/dtm/hdn        | 1-Year Onsite Service Renewal, Next Business Day | 2349444 |
| <b>DOT MATRIX</b>         |  |         |
| 2480, 2481, 2490, 2491    | 1 Year Exchange, Next Business Day               | 2346086 |
| 2480, 2481, 2490, 2491    | 2 Year Exchange, Next Business Day               | 2346087 |
| 2480, 2481, 2490, 2491    | 3 Year Exchange, Next Business Day               | 2346088 |
| 2480, 2481, 2490, 2491    | Upgrade to Onsite Service, Next Business Day     | 2346091 |
| 2480, 2481, 2490, 2491    | 2-Years Total Onsite Service, Next Business Day  | 2346092 |
| 2480, 2481, 2490, 2491    | 3-Years Total Onsite Service, Next Business Day  | 2346093 |
| 2480, 2481, 2490, 2491    | 4-Years Total Onsite Service, Next Business Day  | 2346094 |
| 2480, 2481, 2490, 2491    | 1-Year Onsite Service Renewal, Next Business Day | 2347599 |
| 2480, 2481, 2490, 2491    | 1 Year Exchange Extended Warranty Renewal        | 2347667 |

# Lexmark Standard Service Offerings

| MODEL                          |  | DESCRIPTION                                       | PART #  |
|--------------------------------|--|---|---------|
| <b>DOT MATRIX</b>              |  |   |         |
| 2480, 2481, 2490, 2491         |  | 1-Year Onsite Exchange Extended Warranty Renewal  | 2347688 |
| 2580/n, 2581/n, 2590/n, 2591/n |  | 3-Years Total Exchange Service, Next Business Day | 2348601 |
| 2580/n, 2581/n, 2590/n, 2591/n |  | 4-Years Total Exchange Service, Next Business Day | 2349602 |
| 2580/n, 2581/n, 2590/n, 2591/n |  | Upgrade to Onsite Service, Next Business Day      | 2349641 |
| 2580/n, 2581/n, 2590/n, 2591/n |  | 3-Years Total Onsite Service, Next Business Day   | 2349642 |
| 2580/n, 2581/n, 2590/n, 2591/n |  | 4-Years Total Onsite Service, Next Business Day   | 2349643 |
| 2580/n, 2581/n, 2590/n, 2591/n |  | 1-Year Onsite Service Renewal, Next Business Day  | 2349646 |
| 4227 plus                      |  | 1-Year Exchange, Next Business Day                | 2346447 |
| 4227 plus                      |  | 2-Year Exchange, Next Business Day                | 2346448 |
| 4227 plus                      |  | 3-Year Exchange, Next Business Day                | 2346449 |
| 4227 plus                      |  | 2-Years Total Onsite Service, Next Business Day   | 2346452 |
| 4227 plus                      |  | 3-Years Total Onsite Service, Next Business Day   | 2346453 |
| 4227 plus                      |  | 4-Years Total Onsite Service, Next Business Day   | 2346454 |
| 4227 plus                      |  | 1-Year Onsite Exchange Extended Warranty Renewal  | 2347584 |
| 4227 plus                      |  | 1-Year Onsite Service Renewal, Next Business Day  | 2347598 |
| 4227 plus                      |  | 1-Year Exchange Extended Warranty Renewal         | 2347653 |
| <b>MONOCHROME LASER</b>        |  |   |         |
| E120n                          |  | 1-Year Exchange, Next Business Day                | 2348351 |
| E120n                          |  | 2-Year Exchange, Next Business Day                | 2348352 |
| E120n                          |  | Upgrade to Onsite Service, Next Business Day      | 2348360 |
| E120n                          |  | 2-Years Total Onsite Service, Next Business Day   | 2348361 |
| E120n                          |  | 3-Years Total Onsite Service, Next Business Day   | 2348362 |
| E120n                          |  | 1-Year Exchange Extended Warranty Renewal         | 2348368 |
| E120n                          |  | 1-Year Onsite Exchange Extended Warranty Renewal  | 2348369 |
| E120n                          |  | 1-Year Onsite Service Renewal, Next Business Day  | 2348370 |
| E120n                          |  | Upgrade to Exchange, Next Business Day            | 2348378 |
| E232t                          |  | 1-Year Onsite Exchange, Renewal                   | 2347612 |
| E232t                          |  | 1-Year Exchange, Renewal                          | 2347613 |
| E232t                          |  | 1-Year Onsite Service Renewal, Next Business Day  | 2347719 |
| E234/n/n                       |  | 1-Year Exchange, Renewal                          | 2345821 |
| E234/n/n                       |  | 1-Year Onsite Exchange, Renewal                   | 2345822 |



# Lexmark Standard Service Offerings

| MODEL                   | DESCRIPTION  | PART #  |
|-------------------------|--|---------|
| <b>MONOCHROME LASER</b> |  |         |
| E234/m/n                | 1-Year Onsite Service Renewal, Next Business Day                           | 2345862 |
| E238                    | 1-Year Exchange Extended Warranty Renewal                                  | 2349723 |
| E238                    | 1-Year Onsite Service Renewal, Next Business Day                           | 2349724 |
| E238                    | 1-Year Onsite Exchange Extended Warranty Renewal                           | 2349725 |
| E240/m/t                | 1-Year Onsite Service Renewal, Next Business Day                           | 2349808 |
| E240/m/t                | 1-Year Renewal Exchange Extended Warranty                                  | 2348083 |
| E240/m/t                | 1-Year Renewal Onsite Exchange Extended Warranty                           | 2348084 |
| E250/d/dn               | 1-Year Exchange, Next Business Day   | 2349100 |
| E250/d/dn               | 2-Year Exchange, Next Business Day   | 2349101 |
| E250/d/dn               | 1-Year Exchange Extended Warranty Renewal                                  | 2349104 |
| E250/d/dn               | Upgrade to Onsite Service, Next Business Day                               | 2349107 |
| E250/d/dn               | 2-Years Total Onsite Service, Next Business Day                            | 2349108 |
| E250/d/dn               | 3-Years Total Onsite Service or 1.2 Million Impressions, Next Business Day | 2349109 |
| E250/d/dn               | 3-Year Onsite Repair Extended Warranty                                     | 2349110 |
| E250/d/dn               | 1-Year Onsite Service Renewal, Next Business Day                           | 2349112 |
| E250/d/dn               | 1-Year Onsite Exchange Extended Warranty Renewal                           | 2349121 |
| E250/d/dn               | Upgrade to Exchange, Next Business Day                                     | 2349194 |
| E260/d/dn               | 2-Years Total Exchange Service, Next Business Day                          | 2350166 |
| E260/d/dn               | 3-Years Total Exchange Service, Next Business Day                          | 2350167 |
| E260/d/dn               | 4-Years Total Exchange Service, Next Business Day                          | 2350168 |
| E260/d/dn               | 1-Year Exchange Service Renewal, Next Business Day                         | 2350170 |
| E260/d/dn               | Upgrade to Onsite Service, Next Business Day                               | 2350173 |
| E260/d/dn               | 2-Years Total Onsite Service, Next Business Day                            | 2350174 |
| E260/d/dn               | 3-Years Total Onsite Service, Next Business Day                            | 2350175 |
| E260/d/dn               | 4-Years Total Onsite Service, Next Business Day                            | 2350176 |
| E260/d/dn               | 1-Year Onsite Service Renewal, Next Business Day                           | 2350178 |
| E330                    | 1-Year Onsite Exchange, Renewal  | 2347617 |
| E330                    | 1-Year Exchange, Renewal   | 2347618 |
| E330                    | 1-Year Onsite Service Renewal, Next Business Day                           | 2349348 |
| E332v/m                 | 1-Year Exchange, Renewal   | 2347619 |
| E332v/m                 | 1-Year Onsite Exchange, Renewal  | 2347620 |

# Lexmark Standard Service Offerings

| MODEL                   | DESCRIPTION  | PART #  |
|-------------------------|--|---------|
| <b>MONOCHROME LASER</b> |  |         |
| E332n/tn                | 1-Year Onsite Service Renewal, Next Business Day   | 2347669 |
| E340, E342n/tn          | 1-Year Onsite Service Renewal, Next Business Day   | 2346849 |
| E340, E342n/tn          | 1-Year Renewal Exchange Extended Warranty          | 2348121 |
| E340, E342n/tn          | 1-Year Renewal Onsite Exchange Extended Warranty   | 2348122 |
| E350d, E352d            | 1-Year Exchange, Next Business Day                 | 2349129 |
| E350d, E352d            | 2-Year Exchange, Next Business Day                 | 2349130 |
| E350d, E352d            | 1-Year Exchange Extended Warranty Renewal          | 2349133 |
| E350d, E352d            | Upgrade to Onsite Service, Next Business Day       | 2349136 |
| E350d, E352d            | 2-Years Total Onsite Service, Next Business Day    | 2349137 |
| E350d, E352d            | 3-Years Total Onsite Service, Next Business Day    | 2349138 |
| E350d, E352d            | 3-Year Onsite Repair Extended Warranty             | 2349139 |
| E350d, E352d            | 1-Year Onsite Service Renewal, Next Business Day   | 2349141 |
| E350d, E352d            | 1-Year Onsite Exchange Extended Warranty Renewal   | 2349150 |
| E350d, E352d            | Upgrade to Exchange, Next Business Day             | 2349195 |
| E360d/dn                | 2-Years Total Exchange Service, Next Business Day  | 2350208 |
| E360d/dn                | 3-Years Total Exchange Service, Next Business Day  | 2350209 |
| E360d/dn                | 4-Years Total Exchange Service, Next Business Day  | 2350210 |
| E360d/dn                | 1-Year Exchange Service Renewal, Next Business Day | 2350212 |
| E360d/dn                | Upgrade to Onsite Service, Next Business Day       | 2350215 |
| E360d/dn                | 2-Years Total Onsite Service, Next Business Day    | 2350216 |
| E360d/dn                | 3-Years Total Onsite Service, Next Business Day    | 2350217 |
| E360d/dn                | 4-Years Total Onsite Service, Next Business Day    | 2350218 |
| E360d/dn                | 1-Year Onsite Service Renewal, Next Business Day   | 2350220 |
| E450dn                  | 1-Year Exchange, Next Business Day                 | 2349158 |
| E450dn                  | 2-Year Exchange, Next Business Day                 | 2349159 |
| E450dn                  | 3-Year Exchange, Next Business Day                 | 2349160 |
| E450dn                  | 1-Year Exchange Extended Warranty Renewal          | 2349162 |
| E450dn                  | Upgrade to Onsite Service, Next Business Day       | 2349165 |
| E450dn                  | 2-Years Total Onsite Service, Next Business Day    | 2349166 |
| E450dn                  | 3-Years Total Onsite Service, Next Business Day    | 2349167 |
| E450dn                  | 4-Years Total Onsite Service, Next Business Day    | 2349168 |

# Lexmark Standard Service Offerings

| MODEL                   | DESCRIPTION  | PART #  |
|-------------------------|--|---------|
| <b>MONOCHROME LASER</b> |  |         |
| E450dn                  | 1-Year Onsite Service Renewal, Next Business Day   | 2349170 |
| E450dn                  | 1-Year Onsite Exchange Extended Warranty Renewal   | 2349179 |
| E460n/dw                | 1-Year Onsite Exchange Service, Next Business Day  | 2350250 |
| E460n/dw                | 3-Years Total Exchange Service, Next Business Day  | 2350251 |
| E460n/dw                | 4-Years Total Exchange Service, Next Business Day  | 2350252 |
| E460n/dw                | 5-Years Total Exchange Service, Next Business Day  | 2350253 |
| E460n/dw                | 1-Year Exchange Service Renewal, Next Business Day | 2350254 |
| E460n/dw                | Upgrade to Onsite Service, Next Business Day       | 2350257 |
| E460n/dw                | 2-Years Total Onsite Service, Next Business Day    | 2350258 |
| E460n/dw                | 3-Years Total Onsite Service, Next Business Day    | 2350259 |
| E460n/dw                | 4-Years Total Onsite Service, Next Business Day    | 2350260 |
| E460n/dw                | 5-Years Total Onsite Service, Next Business Day    | 2350261 |
| E460n/dw                | 1-Year Onsite Service Renewal, Next Business Day   | 2350262 |
| T420/dn                 | 1-Year Exchange, Renewal                           | 2347623 |
| T420/dn                 | 1-Year Onsite Exchange, Renewal                    | 2347624 |
| T420/dn                 | 1-Year Onsite Service Renewal, Next Business Day   | 2347973 |
| T430/d/dn/dtn           | 1-Year Onsite Service Renewal, Next Business Day   | 2347625 |
| T430/d/dn/dtn           | 1-Year Exchange, Renewal                           | 2347628 |
| T430/d/dn/dtn           | 1-Year Onsite Exchange, Renewal                    | 2347630 |
| T620/dn/n/n             | 1-Year Onsite Service Renewal, Next Business Day   | 2347632 |
| T620/dn/n/n             | 1-Year Exchange, Renewal                           | 2347644 |
| T620/dn/n/n             | 1-Year Onsite Exchange, Renewal                    | 2347650 |
| T622/dn/n/n             | 1-Year Exchange, Renewal                           | 2347581 |
| T622/dn/n/n             | 1-Year Onsite Exchange, Renewal                    | 2347582 |
| T622/dn/n/n             | 1-Year Onsite Service Renewal, Next Business Day   | 2347633 |
| T630/VE/dn/n/n VE       | 1-Year Exchange, Renewal                           | 2347635 |
| T630/VE/dn/n/n VE       | 1-Year Onsite Exchange, Renewal                    | 2347915 |
| T632/dtn/dtn/n/tb       | 1-Year Onsite Service Renewal, Next Business Day   | 2347913 |
| T632/dtn/dtn/n/tb       | 1-Year Exchange, Renewal                           | 2347914 |
| T632/dtn/dtn/n/tb       | 1-Year Onsite Exchange, Renewal                    | 2347916 |

# Lexmark Standard Service Offerings

| MODEL                   | DESCRIPTION                                      | PART #  |
|-------------------------|--|---------|
| <b>MONOCHROME LASER</b> |  |         |
| T634/dm/dm/rn/tb        | 1-Year Onsite Exchange, Renewal                  | 2347908 |
| T634/dm/dm/rn/tb        | 1-Year Onsite Exchange, Renewal                  | 2347909 |
| T634/dm/dm/rn/tb        | 1-Year Onsite Service Renewal, Next Business Day | 2347917 |
| T640/dm/dm/rn/tb        | 1-Year Exchange, Next Business Day               | 2347454 |
| T640/dm/dm/rn/tb        | 2-Year Exchange, Next Business Day               | 2347455 |
| T640/dm/dm/rn/tb        | 3-Year Exchange, Next Business Day               | 2347456 |
| T640/dm/dm/rn/tb        | Upgrade to Onsite Service, Next Business Day     | 2347458 |
| T640/dm/dm/rn/tb        | 2-Years Total Onsite Service, Next Business Day  | 2347459 |
| T640/dm/dm/rn/tb        | 3-Years Total Onsite Service, Next Business Day  | 2347460 |
| T640/dm/dm/rn/tb        | 4-Years Total Onsite Service, Next Business Day  | 2347461 |
| T640/dm/dm/rn/tb        | 1-Year Exchange Extended Warranty Renewal        | 2348027 |
| T640/dm/dm/rn/tb        | 1-Year Onsite Exchange Extended Warranty Renewal | 2348030 |
| T640/dm/dm/rn/tb        | 1-Year Onsite Service Renewal, Next Business Day | 2348064 |
| T640/dm/dm/rn/tb        | 1-Year Exchange, Next Business Day               | 2347471 |
| T642/dm/dm/rn/tb        | 2-Year Exchange, Next Business Day               | 2347472 |
| T642/dm/dm/rn/tb        | 3-Year Exchange, Next Business Day               | 2347473 |
| T642/dm/dm/rn/tb        | Upgrade to Onsite Service, Next Business Day     | 2347475 |
| T642/dm/dm/rn/tb        | 2-Years Total Onsite Service, Next Business Day  | 2347476 |
| T642/dm/dm/rn/tb        | 3-Years Total Onsite Service, Next Business Day  | 2347477 |
| T642/dm/dm/rn/tb        | 4-Years Total Onsite Service, Next Business Day  | 2347478 |
| T642/dm/dm/rn/tb        | 1-Year Onsite Exchange Extended Warranty Renewal | 2348021 |
| T642/dm/dm/rn/tb        | 1-Year Exchange Extended Warranty Renewal        | 2348025 |
| T642/dm/dm/rn/tb        | 1-Year Onsite Service Renewal, Next Business Day | 2348066 |
| T644/dm/dm/rn/tb        | 1-Year Exchange, Next Business Day               | 2347488 |
| T644/dm/dm/rn/tb        | 2-Year Exchange, Next Business Day               | 2347489 |
| T644/dm/dm/rn/tb        | 3-Year Exchange, Next Business Day               | 2347490 |
| T644/dm/dm/rn/tb        | Upgrade to Onsite Service, Next Business Day     | 2347492 |
| T644/dm/dm/rn/tb        | 2-Years Total Onsite Service, Next Business Day  | 2347493 |
| T644/dm/dm/rn/tb        | 3-Years Total Onsite Service, Next Business Day  | 2347494 |
| T644/dm/dm/rn/tb        | 4-Years Total Onsite Service, Next Business Day  | 2347495 |
| T644/dm/dm/rn/tb        | 1-Year Exchange Extended Warranty Renewal        | 2348011 |

# Lexmark Standard Service Offerings

| MODEL                   | DESCRIPTION  | PART #  |
|-------------------------|--|---------|
| <b>MONOCHROME LASER</b> |  |         |
| T644/4n/dtm/n/tn        | 1-Year Onsite Exchange Extended Warranty Renewal   | 2348012 |
| T650n/4n/dtm/n          | 1-Year Onsite Service Renewal, Next Business Day   | 2348068 |
| T650n/4n/dtm/n/tn       | 2-Years Total Exchange Service, Next Business Day  | 2350293 |
| T650n/4n/dtm/n          | 3-Years Total Exchange Service, Next Business Day  | 2350294 |
| T650n/4n/dtm/n          | 4-Years Total Exchange Service, Next Business Day  | 2350295 |
| T650n/4n/dtm/n          | 5-Years Total Exchange Service, Next Business Day  | 2350296 |
| T650n/4n/dtm/n          | 1-Year Exchange Service Renewal, Next Business Day | 2350297 |
| T650n/4n/dtm/n          | Upgrade to Onsite Service, Next Business Day       | 2350301 |
| T650n/4n/dtm/n          | 2-Years Total Onsite Service, Next Business Day    | 2350302 |
| T650n/4n/dtm/n          | 3-Years Total Onsite Service, Next Business Day    | 2350303 |
| T650n/4n/dtm/n          | 4-Years Total Onsite Service, Next Business Day    | 2350304 |
| T650n/4n/dtm/n          | 5-Years Total Onsite Service, Next Business Day    | 2350305 |
| T650n/4n/dtm/n          | 1-Year Onsite Service Renewal, Next Business Day   | 2350306 |
| T652n/4n/dtm/n          | 2-Years Total Exchange Service, Next Business Day  | 2350328 |
| T652n/4n/dtm/n          | 3-Years Total Exchange Service, Next Business Day  | 2350329 |
| T652n/4n/dtm/n          | 4-Years Total Exchange Service, Next Business Day  | 2350330 |
| T652n/4n/dtm/n          | 5-Years Total Exchange Service, Next Business Day  | 2350331 |
| T652n/4n/dtm/n          | 1-Year Exchange Service Renewal, Next Business Day | 2350332 |
| T652n/4n/dtm/n          | Upgrade to Onsite Service, Next Business Day       | 2350336 |
| T652n/4n/dtm/n          | 2-Years Total Onsite Service, Next Business Day    | 2350337 |
| T652n/4n/dtm/n          | 3-Years Total Onsite Service, Next Business Day    | 2350338 |
| T652n/4n/dtm/n          | 4-Years Total Onsite Service, Next Business Day    | 2350339 |
| T652n/4n/dtm/n          | 5-Years Total Onsite Service, Next Business Day    | 2350340 |
| T654/4n/dtm/n           | 1-Year Onsite Service Renewal, Next Business Day   | 2350341 |
| T654/4n/dtm/n           | 2-Years Total Exchange Service, Next Business Day  | 2350363 |
| T654/4n/dtm/n           | 3-Years Total Exchange Service, Next Business Day  | 2350364 |
| T654/4n/dtm/n           | 4-Years Total Exchange Service, Next Business Day  | 2350365 |
| T654/4n/dtm/n           | 5-Years Total Exchange Service, Next Business Day  | 2350366 |
| T654/4n/dtm/n           | 1-Year Exchange Service Renewal, Next Business Day | 2350367 |
| T654/4n/dtm/n           | Upgrade to Onsite Service, Next Business Day       | 2350371 |
| T654/4n/dtm/n           | 2-Years Total Onsite Service, Next Business Day    | 2350372 |

# Lexmark Standard Service Offerings

| MODEL   | DESCRIPTION                                      | PART #  |
|---|--|---------|
| <b>MONOCHROME LASER</b>   |  |         |
| T65-4n/dm/n   | 3-Years Total Onsite Service, Next Business Day  | 2350373 |
| T65-4n/dm/n   | 4-Years Total Onsite Service, Next Business Day  | 2350374 |
| T65-4n/dm/n   | 5-Years Total Onsite Service, Next Business Day  | 2350375 |
| T65-4n/dm/n   | 1-Year Onsite Service Renewal, Next Business Day | 2350376 |
| W812/dm/n   | 1-Year Onsite Service Renewal, Next Business Day | 2347918 |
| W820/dm/n   | 1-Year Onsite Service Renewal, Next Business Day | 2347919 |
| W840/dm/n   | 2-Years Total Onsite Service, Next Business Day  | 2347512 |
| W840/dm/n   | 3-Years Total Onsite Service, Next Business Day  | 2347513 |
| W840/dm/n   | 4-Years Total Onsite Service, Next Business Day  | 2347514 |
| W840/dm/n   | 1-Year Onsite Service Renewal, Next Business Day | 2347640 |
| <b>MULTIFUNCTION LASER</b>                                      |  |         |
| 3100  | 1 Year Renewal Exchange Extended Warranty        | 2347812 |
| 3100  | 1 Year Onsite Exchange, Renewal                  | 2347813 |
| 3200  | 1 Year Renewal Exchange Extended Warranty        | 2347924 |
| 3200  | 1 Year Onsite Exchange, Renewal                  | 2347925 |
| 4600/MFP Option C782/MFP Option T642n, C782 XL, T644n           | 1 Year Exchange, Next Business Day               | 2348335 |
| 4600/MFP Option C782/MFP Option T642n, C782 XL, T644n           | 2 Year Exchange, Next Business Day               | 2348336 |
| 4600/MFP Option C782/MFP Option T642n, C782 XL, T644n           | 1 Year Renewal Exchange Extended Warranty        | 2348344 |
| 4600/MFP Option C782/MFP Option T642n, C782 XL, T644n           | 1-Year Renewal Onsite Exchange                   | 2348346 |
| 5500  | 1-Year Onsite Service Renewal, Next Business Day | 2347818 |
| Clinical Assistant, Education Station, Legal Partner, X666dte/e | 2-Years Total Onsite Service, Next Business Day  | 2348322 |
| Clinical Assistant, Education Station, Legal Partner, X666dte/e | 3-Years Total Onsite Service, Next Business Day  | 2348323 |
| Clinical Assistant, Education Station, Legal Partner, X666dte/e | 4-Years Total Onsite Service, Next Business Day  | 2348324 |

# Lexmark Standard Service Offerings

| MODEL   | DESCRIPTION  | PART #  |
|---|--|---------|
| <b>MULTIFUNCTION LASER</b>                                      |  |         |
| Clinical Assistant, Education Station, Legal Partner, X646dtb/e | 1-Year Onsite Service Renewal, Next Business Day   | 2347630 |
| X204n   | 2-Years Total Exchange Service, Next Business Day  | 2351456 |
| X204n   | 3-Years Total Exchange Service, Next Business Day  | 2351457 |
| X204n   | 4-Years Total Exchange Service, Next Business Day  | 2351458 |
| X204n   | 1-Year Exchange Service Renewal, Next Business Day | 2351460 |
| X204n   | Upgrade to Onsite Service, Next Business Day       | 2351465 |
| X204n   | 2-Years Total Onsite Service, Next Business Day    | 2351466 |
| X204n   | 3-Years Total Onsite Service, Next Business Day    | 2351467 |
| X204n   | 4-Years Total Onsite Service, Next Business Day    | 2351468 |
| X204n   | 1-Year Onsite Service Renewal, Next Business Day   | 2351470 |
| X215/n  | 1 Year Onsite Exchange, Renewal                    | 2347641 |
| X215/h  | 1 Year Exchange, Renewal                           | 2347642 |
| X264dn  | 2-Years Total Onsite Service, Next Business Day    | 2350932 |
| X264dn  | 3-Years Total Onsite Service, Next Business Day    | 2350933 |
| X264dn  | 1-Year Onsite Service Renewal, Next Business Day   | 2350936 |
| X340n   | 2-Years Total Onsite Service, Next Business Day    | 2348731 |
| X340n   | 3-Years Total Onsite Service, Next Business Day    | 2348732 |
| X340n   | 1-Year Onsite Service Renewal, Next Business Day   | 2348735 |
| X342n   | 2-Years Total Onsite Service, Next Business Day    | 2348748 |
| X342n   | 3-Years Total Onsite Service, Next Business Day    | 2348749 |
| X342n   | 1-Year Onsite Service Renewal, Next Business Day   | 2348752 |
| X363dn  | 2-Years Total Onsite Service, Next Business Day    | 2350974 |
| X363dn  | 3-Years Total Onsite Service, Next Business Day    | 2350975 |
| X363dn  | 1-Year Onsite Service Renewal, Next Business Day   | 2350978 |
| X364dn/dw   | 2-Years Total Onsite Service, Next Business Day    | 2351016 |
| X364dn/dw   | 3-Years Total Onsite Service, Next Business Day    | 2351017 |
| X364dn/dw   | 1-Year Onsite Service Renewal, Next Business Day   | 2351020 |
| X422  | 1-Year Onsite Service Renewal, Next Business Day   | 2347815 |
| X4500   | 1 Year Renewal Exchange Extended Warranty          | 2347832 |
| X4600   | 1 Year Onsite Exchange, Renewal                    | 2347833 |

# Lexmark Standard Service Offerings

| MODEL                      | DESCRIPTION                                      | PART #  |
|----------------------------|--|---------|
| <b>MULTIFUNCTION LASER</b> |  |         |
| X463de                     | 2-Years Total Onsite Service, Next Business Day  | 2350870 |
| X463dte                    | 3-Years Total Onsite Service, Next Business Day  | 2350871 |
| X463de                     | 4-Years Total Onsite Service, Next Business Day  | 2350872 |
| X463dte                    | 5-Years Total Onsite Service, Next Business Day  | 2350873 |
| X464de                     | 2-Years Total Onsite Service, Next Business Day  | 2350888 |
| X464dte                    | 3-Years Total Onsite Service, Next Business Day  | 2350889 |
| X464de                     | 4-Years Total Onsite Service, Next Business Day  | 2350890 |
| X464dte                    | 5-Years Total Onsite Service, Next Business Day  | 2350891 |
| X466de/dte/dwe             | 2-Years Total Onsite Service, Next Business Day  | 2350906 |
| X466de/dte/dwe             | 3-Years Total Onsite Service, Next Business Day  | 2350907 |
| X466de/dte/dwe             | 4-Years Total Onsite Service, Next Business Day  | 2350908 |
| X466de/dte/dwe             | 5-Years Total Onsite Service, Next Business Day  | 2350909 |
| X500n, X502n               | 2-Years Total Onsite Service, Next Business Day  | 2349428 |
| X500n, X502n               | 3-Years Total Onsite Service, Next Business Day  | 2349429 |
| X500n, X502n               | 4-Years Total Onsite Service, Next Business Day  | 2349432 |
| X543dn                     | 1-Year Onsite Service Renewal, Next Business Day | 2350503 |
| X543dn                     | 2-Years Total Onsite Service, Next Business Day  | 2350504 |
| X543dn                     | 1-Year Onsite Service Renewal, Next Business Day | 2350507 |
| X543dn                     | 2-Years Total Onsite Service, Next Business Day  | 2350521 |
| X544dn/dtm/dw/n            | 1-Year Onsite Service Renewal, Next Business Day | 2350522 |
| X544dn/dtm/dw/n            | 2-Years Total Onsite Service, Next Business Day  | 2350525 |
| X544dn/dtm/dw/n            | 1-Year Onsite Service Renewal, Next Business Day | 2349754 |
| X560n                      | 3-Years Total Onsite Service, Next Business Day  | 2349755 |
| X560n                      | 1-Year Onsite Service Renewal, Next Business Day | 2349758 |
| X630                       | 1-Year Onsite Service Renewal, Next Business Day | 2347920 |
| X632                       | 1-Year Onsite Service Renewal, Next Business Day | 2347646 |
| X632e                      | 1-Year Onsite Service Renewal, Next Business Day | 2347645 |
| X632s                      | 1-Year Onsite Service Renewal, Next Business Day | 2347647 |
| X634dte/dte/dte            | 1-Year Onsite Service Renewal, Next Business Day | 2347648 |
| X642e                      | 2-Years Total Onsite Service, Next Business Day  | 2348757 |
| X642e                      | 3-Years Total Onsite Service, Next Business Day  | 2348758 |



# Lexmark Standard Service Offerings

| MODEL                        | DESCRIPTION                                      | PART #  |
|------------------------------|--|---------|
| <b>MULTIFUNCTION LASER</b>   |  |         |
| X642e                        | 4-Years Total Onsite Service, Next Business Day  | 2348759 |
| X642e                        | 1-Year Onsite Service Renewal, Next Business Day | 2348761 |
| X644e                        | 2-Years Total Onsite Service, Next Business Day  | 2348309 |
| X644e                        | 3-Years Total Onsite Service, Next Business Day  | 2348310 |
| X644e                        | 4-Years Total Onsite Service, Next Business Day  | 2348311 |
| X644e                        | 1-Year Onsite Service Renewal, Next Business Day | 2348317 |
| X646ef                       | 2-Years Total Onsite Service, Next Business Day  | 2348296 |
| X646ef                       | 3-Years Total Onsite Service, Next Business Day  | 2348297 |
| X646ef                       | 4-Years Total Onsite Service, Next Business Day  | 2348298 |
| X646ef                       | 1-Year Onsite Service Renewal, Next Business Day | 2348304 |
| X651de, X652de               | 2-Years Total Onsite Service, Next Business Day  | 2350539 |
| X651de, X652de               | 3-Years Total Onsite Service, Next Business Day  | 2350540 |
| X651de, X652de               | 4-Years Total Onsite Service, Next Business Day  | 2350541 |
| X651de, X652de               | 5-Years Total Onsite Service, Next Business Day  | 2350542 |
| X651de, X652de               | 1-Year Onsite Service Renewal, Next Business Day | 2350543 |
| X654de, X656de/dte           | 2-Years Total Onsite Service, Next Business Day  | 2350557 |
| X654de, X656de/dte           | 3-Years Total Onsite Service, Next Business Day  | 2350558 |
| X654de, X656de/dte           | 4-Years Total Onsite Service, Next Business Day  | 2350559 |
| X654de, X656de/dte           | 5-Years Total Onsite Service, Next Business Day  | 2350560 |
| X654de, X656de/dte           | 1-Year Onsite Service Renewal, Next Business Day | 2350561 |
| X658de/dte/dme/dte/dtfe/dtme | 2-Years Total Onsite Service, Next Business Day  | 2350575 |
| X658de/dte/dme/dte/dtfe/dtme | 3-Years Total Onsite Service, Next Business Day  | 2350576 |
| X658de/dte/dme/dte/dtfe/dtme | 4-Years Total Onsite Service, Next Business Day  | 2350577 |
| X658de/dte/dme/dte/dtfe/dtme | 5-Years Total Onsite Service, Next Business Day  | 2350578 |
| X658de/dte/dme/dte/dtfe/dtme | 1-Year Onsite Service Renewal, Next Business Day | 2350579 |
| X734de                       | 2-Years Total Onsite Service, Next Business Day  | 2350816 |
| X734de                       | 3-Years Total Onsite Service, Next Business Day  | 2350817 |
| X734de                       | 4-Years Total Onsite Service, Next Business Day  | 2350818 |
| X734de                       | 5-Years Total Onsite Service, Next Business Day  | 2350819 |
| X736de                       | 2-Years Total Onsite Service, Next Business Day  | 2350834 |
| X736de                       | 3-Years Total Onsite Service, Next Business Day  | 2350835 |

# Lexmark Standard Service Offerings

| MODEL                      | DESCRIPTION  | PART #   |
|----------------------------|--|----------|
| <b>MULTIFUNCTION LASER</b> |  |          |
| X736de                     | 4-Years Total Onsite Service, Next Business Day                              | 235 0836 |
| X736de/dte                 | 5-Years Total Onsite Service, Next Business Day                              | 235 0837 |
| X738de/dte                 | 2-Years Total Onsite Service, Next Business Day                              | 235 0852 |
| X738de/dte                 | 3-Years Total Onsite Service, Next Business Day                              | 235 0853 |
| X738de/dte                 | 4-Years Total Onsite Service, Next Business Day                              | 235 0854 |
| X738de/dte                 | 5-Years Total Onsite Service, Next Business Day                              | 235 0855 |
| X7500                      | 1-Year Onsite Service Renewal, Next Business Day                             | 234 7622 |
| X752e                      | 1-Year Onsite Service Renewal, Next Business Day                             | 234 7651 |
| X762e                      | 1-Year Onsite Service Renewal, Next Business Day                             | 234 7652 |
| X772e                      | 1-Year Onsite Service Renewal, Next Business Day                             | 234 6701 |
| X782e/e XL                 | 2-Years Total Onsite Service, Next Business Day                              | 234 9416 |
| X782e/e XL                 | 3-Years Total Onsite Service, Next Business Day                              | 234 9417 |
| X782e/e XL                 | 4-Years Total Onsite Service, Next Business Day                              | 234 9418 |
| X782e/e XL                 | 1-Year Onsite Service Renewal, Next Business Day                             | 234 9420 |
| X820e                      | 1-Year Onsite Service Renewal, Next Business Day                             | 234 7825 |
| X850e                      | 2-Years Total Onsite Service (or 1.2 Million Impressions), Next Business Day | 234 8408 |
| X850e                      | 3-Years Total Onsite Service (or 1.8 Million Impressions), Next Business Day | 234 8409 |
| X850e                      | 4-Years Total Onsite Service (or 1.8 Million Impressions), Next Business Day | 234 8410 |
| X850e                      | 1-Year Onsite Service (or 600,000 Impressions) Renewal, Next Business Day    | 234 8412 |
| X852e                      | 2-Years Total Onsite Service (or 600,000 Impressions), Next Business Day     | 234 8421 |
| X852e                      | 3-Years Total Onsite Service (or 1.2 Million Impressions), Next Business Day | 234 8422 |
| X852e                      | 4-Years Total Onsite Service (or 1.8 Million Impressions), Next Business Day | 234 8423 |
| X852e                      | 1-Year Onsite Service (or 600,000 Impressions) Renewal, Next Business Day    | 234 8425 |
| X854e                      | 2-Years Total Onsite Service (or 600,000 Impressions), Next Business Day     | 234 8434 |
| X854e                      | 3-Years Total Onsite Service (or 1.2 Million Impressions), Next Business Day | 234 8435 |
| X854e                      | 4-Years Total Onsite Service (or 1.8 Million Impressions), Next Business Day | 234 8436 |
| X854e                      | 1-Year Onsite Service (or 600,000 Impressions) Renewal, Next Business Day    | 234 8438 |
| X912e                      | 1-Year Onsite Service Renewal, Next Business Day                             | 234 7654 |
| X940e, X945e               | 2-Years Total Onsite Service, Next Business Day                              | 234 9452 |
| X940e, X945e               | 3-Years Total Onsite Service, Next Business Day                              | 234 9453 |
| X940e, X945e               | 4-Years Total Onsite Service, Next Business Day                              | 234 9454 |

# Lexmark Standard Service Offerings

| MODEL                               | DESCRIPTION                                      | PART #  |
|-------------------------------------|--|---------|
| MULTIFUNCTION LASER<br>X940e, X946e | 1-Year Onsite Service Renewal, Next Business Day | 2349456 |

# Glossary

---

**Duty Cycle:**

The maximum number of pages a device could deliver in a month. This metric provides a comparison of robustness in relation to other Lexmark printers and MFPs.

**Recommended Monthly Page Volume:**

Range of pages that helps customers evaluate Lexmark's product offerings based on the average number of pages customers plan to print on the device each month. Lexmark recommends that the number of pages per month be within the stated range for optimum device performance, based on factors including: supplies replacement intervals, paper loading intervals, speed, and typical customer usage.

**Return Program Cartridges:**

Return Program cartridges are sold at a discount in exchange for the customer's agreement to use the cartridge only once and return it to Lexmark for recycling. Regular cartridges without this agreement are also available for customers who do not choose the Return Program cartridge with its terms.

**Returns Policy:**

Normal return procedures apply.

**Recycle :**

Recycle your empty print cartridges. Use our no-cost Lexmark Cartridge Collection Program. Visit [www.lexmark.com/recycle](http://www.lexmark.com/recycle) or call 1-800-LEXMARK for details about our empty print cartridge return program.

# Glossary

---

*Lexmark, Lexmark with diamond design, ImageQuick, MarkNet, MarkVision, Optra, Optra Forms, Proprinter, Quickwriter, Selectric, Selectric Touch and ValueWriter are trademarks of Lexmark International, Inc., registered in the United States and/or other countries. ColorFine, ColorGrade, ColorSaver, Diamond Fine, FontVision, Linea, PerfectFinish, Photo Jetprinter, PrintCrypton, PrintFrio, StapleSmart and WinWriter are trademarks of Lexmark International, Inc. Auto-linking, EasyStrike, IBM and Wheelwriter are registered trademarks of the International Business Machines Corporation in the United States and/or other countries.*

*PCL is a registered trademark of Hewlett Packard Company. All other trademarks are the properties of their respective owners.*

*Supplies yields stated in this catalog are approximate. Actual yields may vary depending on machine condition, type style used, machine settings, operating environment, paper type and user's quality criteria.*

*See your specific machine publications for more detailed yield information.*

*Specifications are subject to change without notice. Lexmark and Lexmark with diamond design are trademarks of Lexmark International Inc.,*

71K6336-10

71K6336-10

24/06/2009